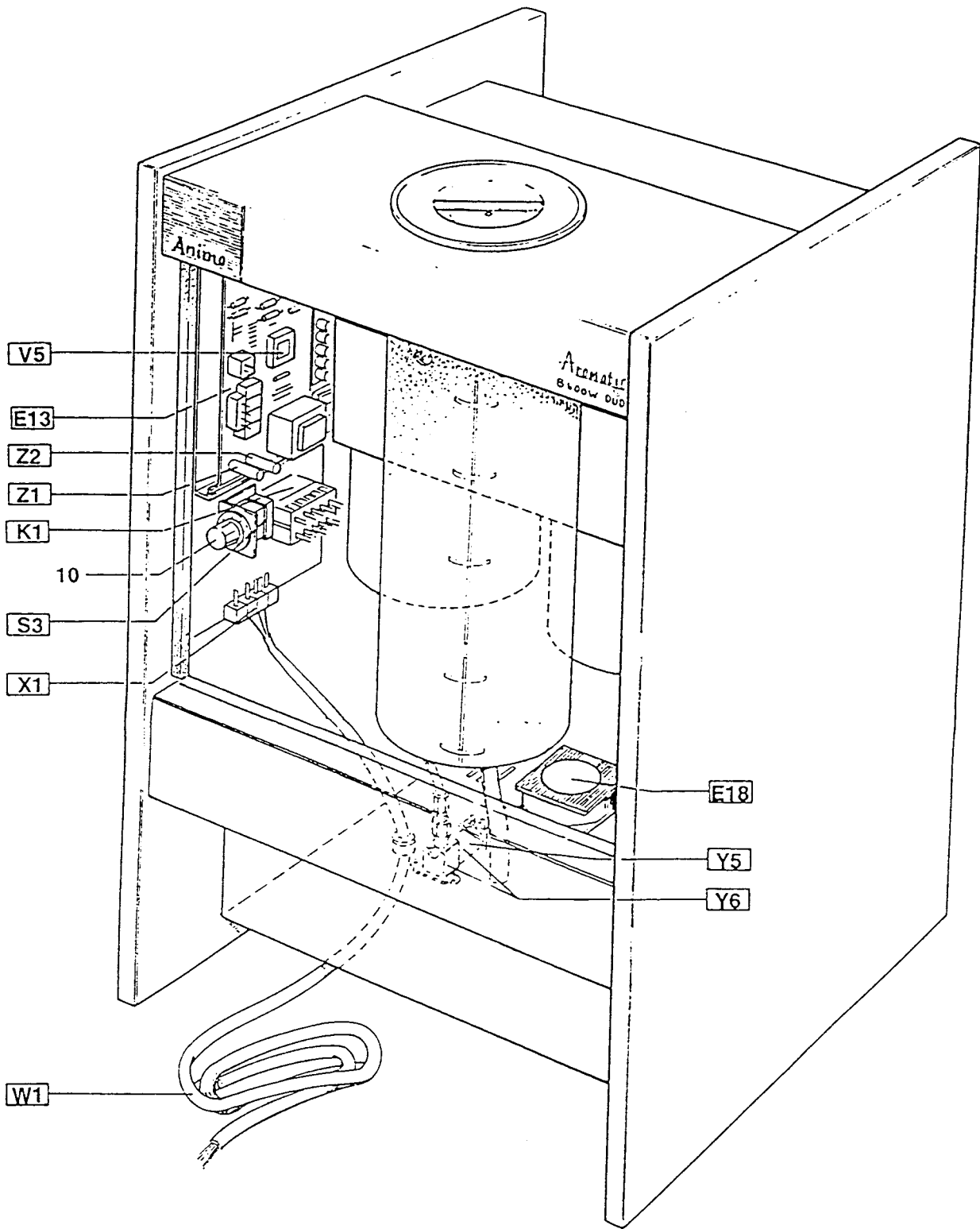


Zie stroomkring schema / onderdelenlijst
 Siehe Stromkreis Schema / Ersatzteilliste
 Voir schéma électrique / liste des pièces de rechange
 See electrical diagram / sparepart list

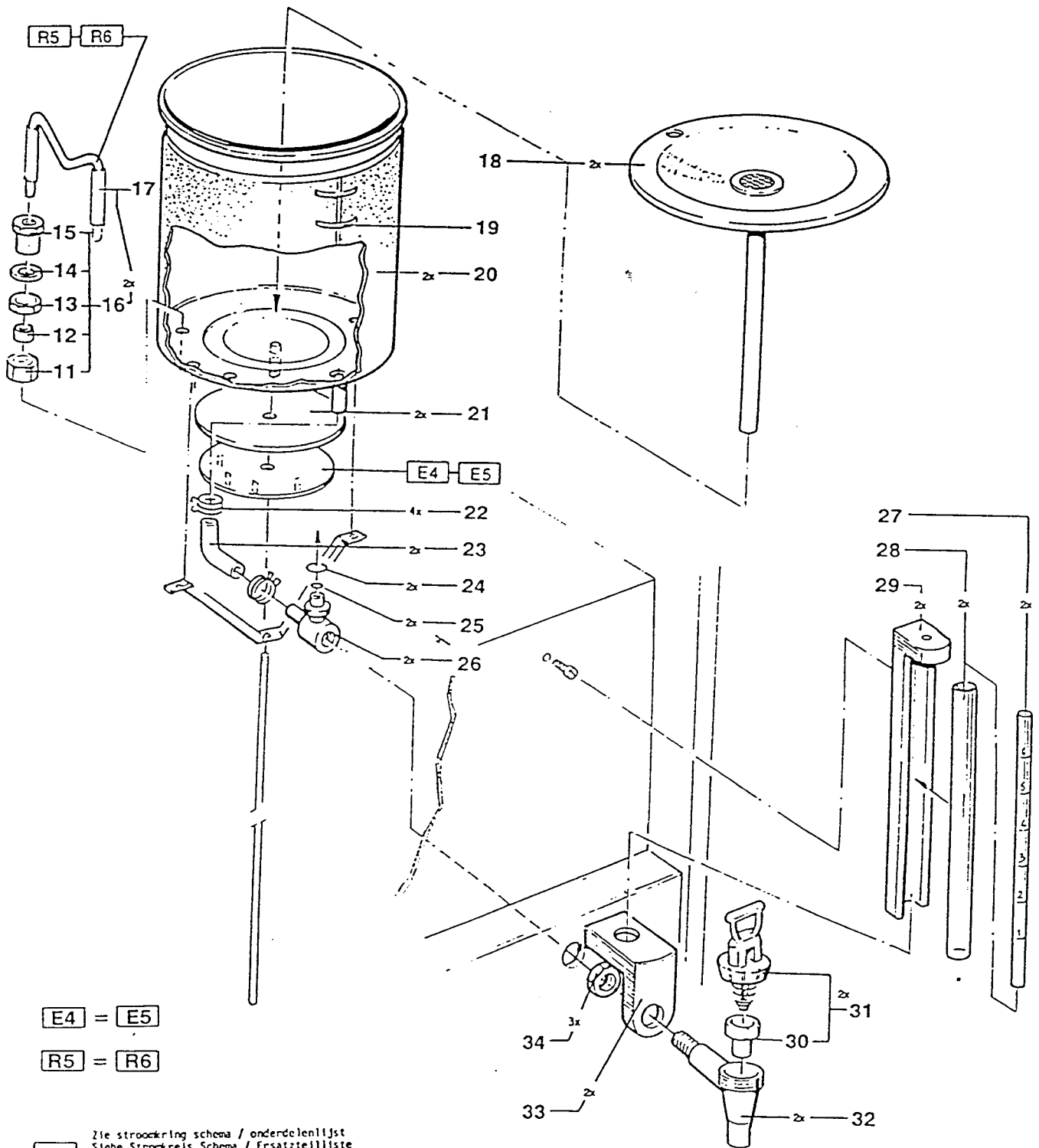
E6 = E7

Type : B600W DUO	Drawer: MT	Modify:
From mach.Nr. : 2C11704	Date : 93-09-29	
Date : 93-09-29	Checked: <i>[Signature]</i>	
Rated voltage: 3N ~ 380V 50Hz	EXPLODED VIEW	***ANIMO*** amersfoort assen
		Drawing nr.: P 10188 bl.1
		Rev nr. Rev.Date:



Zie stroomkring schema / onderdelenlijst
 Siehe Stromkreis Schema / Ersatzteilliste
 Voir schéma électrique / liste des pièces de rechange
 See electrical diagram / sparepart list

Type	: B600W DUO	Drawer: MT	Modify:	
From mach.Nr.	: 2C11704	Date : 93-09-29		
Date	: 93-09-29	Checked: <i>[Signature]</i>		
Rated voltage: 3N~380V 50Hz	EXPLODED VIEW	***ANIMO*** amersfoort assen	Drawing nr.: P 10188 bl.2	Rev nr. Rev.Date:

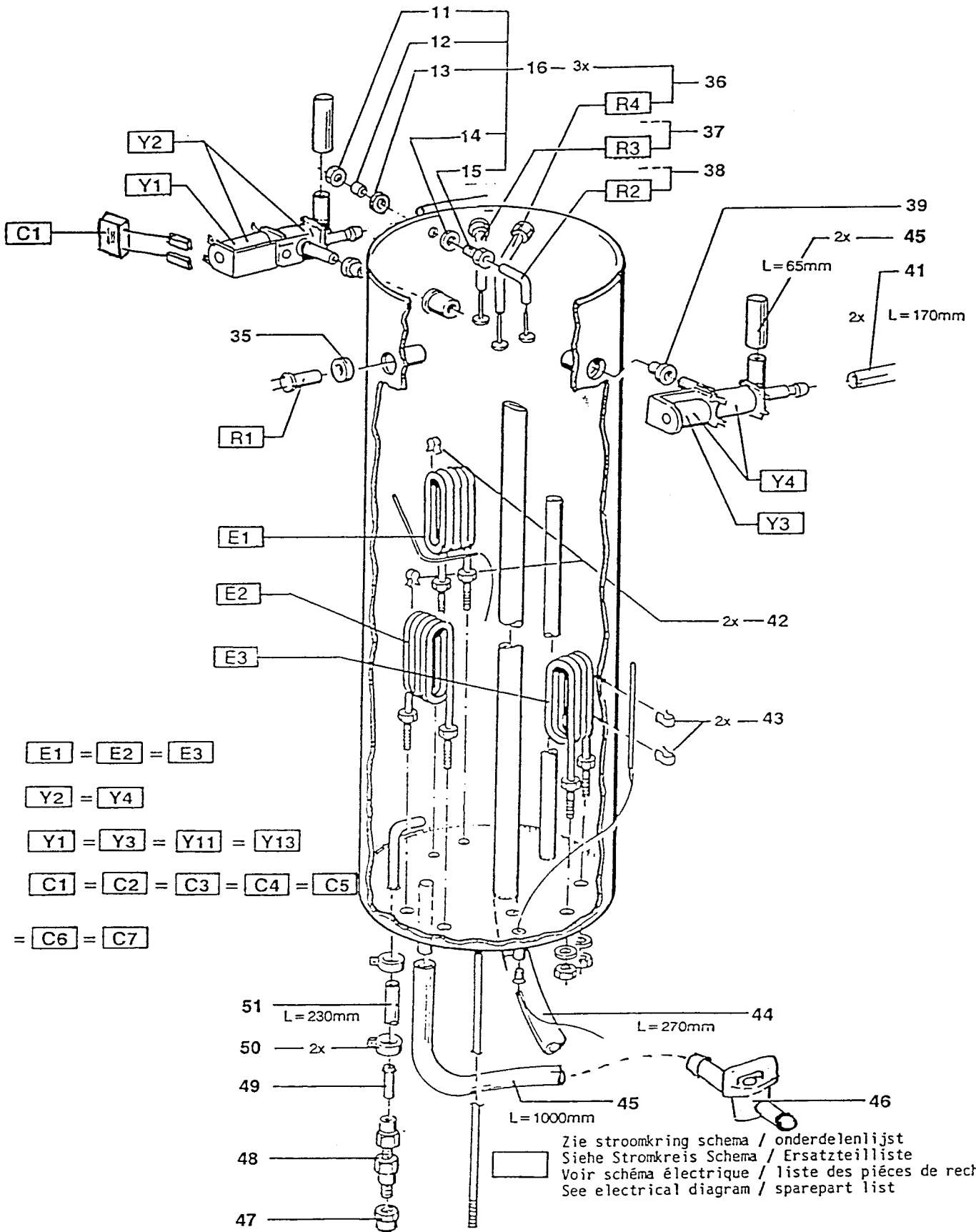


E4 = E5

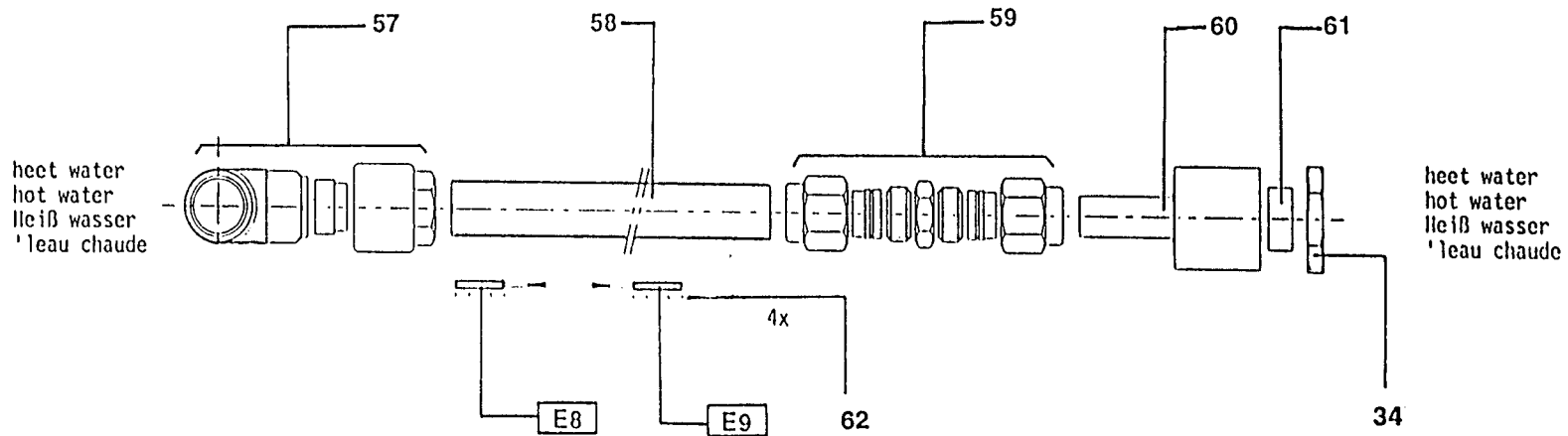
R5 = R6

Zie stroomkring schema / onderdelenlijst
 Siehe Stromkreis Schema / Ersatzteilliste
 Voir schéma électrique / liste des pièces de rechange
 See electrical diagram / sparepart list

Type : B600W DUO From mach.Nr. : 2c11704 Date : 93-09-29		Drawer: MT Date : 93-09-29 Checked: <i>[Signature]</i>		Modify:	
Rated voltage: 3N ~ 380V 50Hz	EXPLODED VIEW	***ANIMO*** amersfoort assen		Drawing nr.: P 10188 bl.3	Rev nr. Rev.Date:



Type : B600W DUO From mach.Nr. : 2C11704 Date : 93-09-29		Drawer: MT Date : 93-09-29 Checked:		Modify:	
Rated voltage: 3N ~ 380V 50Hz	EXPLODED VIEW	ANIMO *** amersfoort assen		Drawing nr.: P 10188 bl.4	Rev nr. Rev.Date:



E8 = E9

Zie stroomkring schema / onderdelenlijst
 Siehe Stromkreis Schema / Ersatzteilliste
 Voir schéma électrique / liste des pièces de rechange
 See electrical diagram / sparepart list

Type	: B600W DUO	Drawer: MT	Modify:
From mach.Nr.	: 2C11704	Date : 93-09-29	
Date	: 93-09-29	Checked:	
Rated voltage:	EXPLODED VIEW	***ANIMO*** amersfoort assen	Drawing nr.: P 10188 bl.6
3N~380V 50Hz			Rev nr. Rev.Date:

Code	ArtikelNr	Omschrijving	Description	Beschreibung	Designation
01	07231	BESCHERMDOFJE M8x1 TBV DROOGK	PROTECTING CASE M8x1 BLACK	SCHUTZKAPPE M8x1 SCHWARZ	PROTEGE THERMOSTAT M8x1 NOIR
02	19121	DEKSEL WATERRESV B600-W	LID WATERRESERVOIR B600-W	DECKEL WASSERBEHALTER B600-W	COUVERCLE RESERV.D'EAU B600-W
03	11593	ALUMINIUMPLAAT B600W-DUO	ALUM. PLATE CUP HEATER	ALUM. PLATTE TASSEN HEIZUNG	ALUM. PLAQUE
04	08974	KRAANKAP B600W-DUO	TAP CAP B600W DUO H.W.TAP	HAHNKAPPE B600W DUO H.W.HAHN	CAPUCHON ROBINET B600W DUO
05	04228	KRAAN NODRIP 1/2 BONNET RD CPL	TAP NO-DRIP 1/2 BONNET RED	HAHN NO-DRIP 1/2 HAHNSTOF. ROT	ROBI.N-DR.1/2 BOUCH.ROBI.ROUGE
06	13513	ROOSTER B600W-DUO KRAANZIJDE	GRID B600W DUO TAP SIDE	GITTER B600W DUO HAHN SEITE	GRILLE B600W DUO ACOTE DU ROB.
08	13515	LEKBAK B600W-DUO	DRIPTRAY B600W DUO	TROPFFANGER B600W DUO	EGOUTTOIR B600W DUO
09	08158	POOTJE BUMP ON KLEEF ZWART	BUMP-ON FOOT	GUMHIFUESSE	PIED CAOUTCHOUC
10	03040	KNOP THERMOSTAAT 30-100C 03090	KNOB OF THERMOSTAT (03090)	THERMOSTATKNOPF (03090)	BOUTON DE THERMOSTAT (03090)
11	05320	OPSLUITMOER MESS M10x1x12	CASE NUT BRASS M10x1x12	HUELSE MUTTER MESS M10x1x12	DOUILLE ECROU LAITON M10x1x12
12	06381	KLEMKRAAG SILICONEN 8x5 L=5	TUBE SILICON 8x5 L=5mm	SILIKONSCHLAUCH 8x5 L=5mm	TUYAU SILICON 8x5 L=5mm
13	05321	ZESKANTMOER MESS M10x1x14 h=3	NUT BRASS M14x1x14 h=3	MUTTER MESS M10x1x14 H=3	ECROU LAITON M10x1x14 H=3
14	04243	PAKKINGRING 10x14x1.5mm	GASKET RING 10x14x1.5mm	DICHTUNGRING 10x14x1.5mm	ANNEAU JOINT 10x14x1.5mm
15	05319	DRAADNIPPEL MESS M10x1x14	THREAD NIPPLE NICKEL M10x1x14	DRAHT NIPPEL NICKEL M10x1x14	FIL DOUILLE NICKELE M10x1x14
16	11576	KOPPELING CPL ELEKTR.STAAF -N-	COUPLING CPL ELECTRODE N	KOPPLUNG KEMPL ELEKTRODE N	ACCOUPEMENT ELECTRODE
17	11332	ELEKTRODE STAAP CPL GEB "M"	ELECTRODE CPL "M"	ELEKTRODE CPL "M"	ELECTRODE CPL "M"
18	16016	MENGER B600W-DUO	BLENDER B600W-DUO	MISCHER B600W-DUO	MELANGEUR B600W-DUO
19	05344	KLEM VOOR ISOLATIEMANTEL	CLIP FOR INSULATION	KLEMME FUER ISOLIRUNG	PINCE POUR ISOLATION
20	06389	ISOLATIEMANTEL BP B600W-DUO	INSULATION FOR CONTAINER DUO	ISOLIRUNG FUER KAFFEEBEHALTER	ISOLATION DE CUVE
21	11595	ALU SCHIJF RND100/8x3 B600WDUO	ALUM. DISK RND 100/8X3	ALUM. SCHEIBE RND 100/8X3	ALUM. DISQUE ROND 100/8x3
22	07088	SLANGKLEM STAAL 15,8 VEREND	HOSE CLAMP SPRINGLY 15,8mm	SCHLAUCHKLEMME 15,8mm	ANNEAU METAL.FIX. TUYAU 15,8mm
23	06400	SLANG BOCHT SILICON 11.5x15.5	TUBE ELBOW SILICON 11.5x15.5	SCHLAUCH COURBE SIL. 11.5x15.5	TUYAU COUDE SILICON 11.5x15.5
24	08977	O-RING 18x2 70SHORE	O-RING 18x2 70 SHORE	O-RING 18x2 70 SHORE	O-ANNEAU 18x2 70 SHORE
25	04023	O-RING PEILGLASAANSLUITING	GAUGE GLASS O-RING	SCHAUGLAS O-RING	JOINT POUR TUBE DE NIVEAU
26	34331	AANSLUITST KR+PLG CPL 600W-DUO	NIPPLE TAP+GAUGE CPL B600W DUO	ANSLUSS ST. HAHN+S.GL. KPL DUO	RACCORD ROBINET+TUBE DE NIV.
27	34137	PEILGLAS CPL B600W-DUO L=225	GAUGE GL.CPL. B600W DUO L=225	SCHAUGLAS KPL. B600W DUO L=225	TUBE DE NIV.B600W DUO L=225
28	34138	PEILGLAS B CPL B600W-DUO L=215	G.GL.PROTECTOR B600W DUO L=305	S.SCHUTZHUELSE B600W DUO L=305	PROT.DE TUBE DE NIV.B600W DUO
29	12243	PEILGLASKAP B600W-DUO NABEW	CAUGE GLASSCAP B600W-DUO	SCHAUGLASKAPPE B600W-DUO	CAPUCHON JAUGE B600W-DUO
30	04034	KRAAN NODRIP 1/2 CUP	NYLON CUP 1/2	HAHN-DICHTUNG 1/2"	JOINT CAOUTCHOUC 1/2

Type : B600W - DUO - RVS 10188

From mach.nr.: 2C11704

Date : 93/06/01

Drawer : MT

Date : 93/10/07

Checked : 

Modify :

Rated voltage : 3N-380V 50Hz

P A R T S L I S T

***** A N I M O *****

Amersfoort

Aasen

Drawing nr. : M10188

Revision nr. : 0

Revision date : 931007

Code	ArtikelNr	Omschrijving	Description	Beschreibung	Designation
31	04032	KRAAN NODRIP 1/2 BONNET ZW CPL	UPPER ASSEMBLY 1/2 CPL	HAHN OBERTEIL 1/2" KOMPLETT	TETE DE ROBINET 1/2 CPL
32	54127	KRAAN NODRIP 1/2 CHR B600W DUO	TAP NO-DRIP 1/2"CHR. B600WDUO	HAHN NO-DRIP 1/2"CHR.B600WDUO	ROB.N-DR.CORPS 1/2" B600W DUO
33	12241	KRAANKAP B600W-DUO NABEW KR+PG	TAP CAP B600W DUO TAP+GAUGE GL	HAHNKAPPE B600W-DUO HAHN+S.GL	CAPUCHON ROBINET B600W-DUO
34	05044	MOER MESS 1/2"	HEXAGON NUT BRASS 1/2"	SECHSECKMUTTER MESS. 1/2"	ECROU HEXAGON JAUNE 1/2"
35	04022	RING SILICON RUBBER	SILCON PACKING	SILIKON DICHTUNG	JOINT EN CAOUTCHOUC
36	11599	ELEKTRODE STAAF CPL HKS L=97-N	ELECTRODE CPL L=97-N	ELEKTRODE CPL L=97-N	ELECTRODE CPL L=97-N
37	11598	ELEKTRODE STAAF CPL HKS L=52-N	ELECTRODE CPL L=52-N	ELEKTRODE CPL L=52-N	ELECTRODE CPL L=52-N
38	11597	ELEKTRODE STAAF CPL HKS L=37-N	ELECTRODE CPL L=37-N	ELEKTRODE CPL L=37-N	ELECTRODE CPL L=37-N
39	02642	MAGNV SILICONEN AFDICHTKRAAG	SOLENOID SILICON JOINT RING	MAGNETVENTIL SILIK. DICHTUNG	ELECTROVANNE SILICON JOINTS
41	06343	SLANG SILICONEN 8x12	TUBE SILICON 8X12mm	SCHLAUCH SILIKONEN 8x12mm	TUYAU SILICON 8X12mm
42	06336	BLADVEER RVS 8/3-6/3	PLATE SPRING ST.ST. 8/3-6/3	BLATTFEDER EDELS. 8/3-6/3	LAME METALLIQUE INOX 8/3-6/3
43	06287	BLADVEER RVS 6/6	PLATE SPRING ST.ST.6/6	BLATTFEDER EDELS. 6/6	LAME METALLIQUE INOX 6/6
44	06191	SLANG SILICONEN 19x25	TUBE SILICON 25x19mm	SCHLAUCH SILIKONEN 25x19mm	TUYAU SILICON 25x19mm
45	06233	SLANG SILICONEN 9x14	TUBE SILICON 14X9mm	SCHLAUCH SILIKONEN 9X14mm	TUYAU SILICON 14x9mm
46	04236	KRAAN AFTAP 15/15 KUNST B600W	BIBB COCK 15/15 PLASTIC B600W\	AUSLAUFHAHN 15/15 KUNSTS.B600W	ROBI.DE VID.15/15 PLAST.B600W
47	07279	SOK MESS 3/8xM12i	FEMALE ADAPTER 3/8"x8mm	MUFFE AUFCHR. 3/8"x8mm	MANCHON 3/8"x8mm
48	07277	TERUGSLAGKLEP KNEL MESS M12x8	BYE PASS M12 SERTO	RUECKSLAGVENTIL M12 SERTO	VALVE D'ARRET D'ALIMENT.M12 SE
49	07280	SLANGPILAAR 8mm SERTO RECHT	HOSE NIPPEL 8mm	SCHLAUCH ANSLUSS 8mm	DOUILLE ANNELEE P.TUYAU 8mm
50	07263	SLANGKLEM STAAL 10-13 SCHROEF	TUBE CLAMP SKT	SCHLAUCHKLEMME SKT	ATTACHE TUYAU SKT
51	06338	SLANG SILIPRESS RD STOOM 8x14	TUBE SILICON FOR STEAM 8X14mm	SCHLAUCH SIL. FUER DAMPF 8X14	TUYAU SILICON VAPEUR 8X14mm
52	07321	REMMING MESS RND 10 L=20	REDUCTION BRASS 10/4.5 L=20mm	REDUKTION MESS. 10/4.5 L=20mm	REDUCTION LAITON 10/4.5 L=20mm
53	11180	SPROEIERPLAATJE B600W+(DUO)	SPRAYHEAT B600W+(DUO)	SPRITZPLATTE B600W+(DUO)	DOUCHETTE B600W+(DUO)
54	05157	HULSSCHROEF MESS M4 SPROEIER	CASE SCREW M4 FOR 08327	MESSING HUELSESCHRAUB M4	CAPUCHON DOUILLE JAUNE M4
55	12240	FILTER ZW 152/350 B600W+DUO	BASKETFILTER B600W DUO 152/350	KORBFILTER B600W DUO 152/350	P-FILTRE NOIR B600W-D 152/350
56	02464	LOGO DRUKTOETSEN B600WD	LOGO CONTROL PANEL B600WD	LOGO DRUCKKNOPFPANEEL B600WD	LOGO TAB.DE COMMANDE B600WD
57	07305	KOPPELING KNIE 12x14 MESSING	ELBOW UNION 12x14 BRASS	KNIEKUPPLUNG 12x14 MESS.	COUDE 12x14 LAITON
58	11803	PIJPJE RND 12/10 L=210	PIPE 12/10 L=210	ROHR 12/10 L=210	TUBE 12/10 L=210
59	07302	KOPP.KNEL RECHT MESS 12x12	STRAIGHT UNION 12x12 BRASS	KOPPLUNG RECHT 12x12 MESS.	UNION BOUBLE 12x12 LAITON
60	07307	AANSLUITSTUK MESS KR B600W-DUO	NIPPLE FOR TAP B600W DUO	ANSLUSS STUCK FUER HAHN DUO	RACCORD POUR ROBINET B600W DUO

Type : B600W - DUO - RVS 10188

Drawer : MT

Modify :

From mach.nr.: 2C11704

Date : 93/10/07

Date : 93/06/01

Checked : 

Rated voltage : 3N-380V 50Hz

P A R T S L I S T

***** A N I M O *****


Amersfoort

Assen

Drawing nr. : M10188

Revision nr. : 0

Revision date : 931007

Code	ArtikelNr	Omschrijving	Description	Beschreibung	Designation
61	34200	RING TEFLON RND 18.8/5 L=7.5	REDUCTION TEFLON 18.8/5 L=7.5	REDUKTION TEFLON 18.8/5 L=7.5	REDUCTION TEFLON 18.8/5 L=7.5
62	06383	BLADVEER RVS 12/6.6	PLATE SPRING ST/ST 12/6.6	BLATTFEDER EDELS. 8/3-6/3	LAME METALLIQUE INOX 12/6.6
Type : B600W - DUO - RVS 10188			Drawer : MT		Modify :
From mach.nr.: 2C11704			Date : 93/10/07		
Date : 93/06/01			Checked : 		
Rated voltage : 3N-380V 50Hz		***** A N I M O *****		Nr. of pages : 3	
P A R T S L I S T		Amersfoort Assen		Drawing nr. : M10188	
				Revision nr. : 0	
				Revision date : 931007	

Code	Artike lnr	Omschrijving	Description	Beschreibung	Designation
C1	02267	OHTSTORINGS RC-NETWERK	RC-NETWORK	RC-COMBINATION	RC-RESEAU
E01	03198	EL.WATER 3000W B600WD 230V	ELEMENT 3000W B600WD 230V	HEIZKORPER 3000W B600WD 230V	RESISTANCE 3000W B600WD 230V
E04	03201	EL.BODEM 50W PTC 100-240V	ELEMENT 50WPTC 100-240V	HEIZKOERPER 50W PTC 100-240V	RESISTANCE 50W PTC 100-240V
E06	03194	EL.BODEM 100W KOPH.WMF 220V	ELEMENT CUPH.WMF 220V	HEIZKOERPER 100W TASH.WMF 220V	RESISTANCE 100W 220V
E08	03187	EL.LUCHT 10W B600W 220-240V	ELEMENT 10W B600W 220/240V	HEIZKOERPER 10W B600W 220-240V	RESISTANCE 10W B600W 220-240V
E13	02648	PRINT ST704 B600W-DUO 220-240V	PC BOARD ST704 B600W-D220-240V	STUECKERK.ST704 B600W-D 220-240V	CIR.EL.ST704 B600W-D 220-240V
E16	02466	PRINT DRUKTOETSEN B600W-DUO	KEYBOARD B600W-DUO	TASTATUR B600W-DUO	SELECTEUR B600W-DUO
E18	02261	VENTILATOR 220-240V 50/60Hz	BLOWER 220-240V 50/60Hz	VENTILATOR 220-240V 50/60Hz	VENTILATEUR 220-240V 50/60Hz
K1	02013	MAGN.SCH B6-16A 220-240V 50-60	RELAY B6-16A 220-240V 50-60Hz	SCHUETZE B6-16A 220-240V 50-60	RELAIS B6-16A 220-240V 50-60Hz
R1	02219	TEMPERATUUR VOELER K276	NTC SENSOR	NTC FUEHLER	NTC SONDE
R2	11335	ELEKTRODE STAAF HKS L=97	ELECTRODE SQUARE-HEADED L=97	ELEKTRODE WINKEL L=97	ELECTRODE COUDE L=97
R3	11334	ELEKTRODE STAAF HKS L=52	ELECTRODE SQUARE-HEADED L=52	ELEKTRODE WINKEL L=52	ELECTRODE COUDE L=52
R4	11333	ELEKTRODE STAAF HKS L=37	ELECTRODE SQUARE-HEADED L=37	ELEKTRODE WINKEL L=37	ELECTRODE COUDE L=37
R5	11344	ELEKTRODE STAAF GEB "M"	ELECTRODE "M"	ELECTRODE "M"	ELECTRODE "M"
S1	02294	SCHAKELAAR WIP+KAP 2P GR	SWITCH +BOHNET 2P GREEN DOUBLE	SCHALTER MIT HULZE 2P. GR	INTERRUPTEUR ETANCHE 2P GR D
S2	03093	DROOGKOOKBEV. B-SERIE	DRY-BOIL PROTECTION	TROCKENGEHSCHUTZ 16 (4) 380V	SECURITE CONTRE CHAUFFE A SEC
S3	03090	THERMOTAAT 0-100 WKI/MWR	THERMOSTAT WKI	THERMOSTAT WKI	THERMOSTAT WKI
S7	02470	SCHAKELAAR SHORT-TRAVEL	KEYBOARD SWITCH FOR 02466	TASTATUR SCHALTER FUER 02466	SELECTEUR INTERRUPTEUR P.02466
V3	02471	LAMP CONTR. ROOD LED	KEYBOARD LED RED 3mm	TASTATUR LED ROT 3mm	SELECTEUR LED ROUGE 3mm
V4	02474	LAMP CONTR. GROEN LED	KEYBOARD LED GREEN 3mm	TASTATUR LED GRUEN 3mm	SELECTEUR LED VERT. 3mm
V5	02678	PRINT MICRO-PROC B600WD STAND	MICRO PROCESSOR B600W DUO STAND	MIKRO CONTROLLER B600W DUO STA	MICRO PROSSESEUR B600W DUO
W1	02236	AANSLN 5x2.5 2.00m	CABLE 5X2.5 2.00m	ANSCHLUSSKABEL 5X2.5 2.00m	CORDON D'ALIMENTATION 5x2.5 2m
W2	02465	DRAADBOOM FLATK B600WD L=90cm	FLATCABLE B600W DUO L=90cm	FLACHBANDKABEL B600W DUO L=90c	CABLE PLAT B600W DUO L=90cm
X1	02359	AANSLUITBLOK KL 24/4	CONNECTING BLOCK KL 24/4	ANSCHLUSSBLOCK KL 24/4	BLOQUE DE RACCORDEMENT KL 24/4
Y1	02022	MAGNV SPOEL z.lip 220-240/50 D	SOLENOID COIL 220-240V 50Hz D	MAGN.V.SPULE 220-240V 50Hz D	BOBINE ELECTR.220-240V 50Hz D
Y2	02534	MAGNV B600W HEETH 220/50 D	SOLENOID B600W HOTWATER 220/50D	MAGNETV. B600W HEISSH. 220/50D	ELECTROV.B600W EAU CH.220/50 D
Y5	02473	MAGNV SPOEL 220V 50Hz D	SOLENOID COIL 220-240V 50Hz D	MAGNETVENTIL SPUEL 220V 50Hz D	ELECTROVANNE BOBINE 220V 50Hz D
Y6	02163	MAGNV FC/DWI/B600W 220V/50Hz D	SOLENOID FC/DWI/B600W 220V/50Hz	MAGN.VENTIL FC/DWI/B600W220V50	ELECTROV. FC/DWI/B600W220V50Hz
Z1	02580	ZEKERING GLAS 2A TRAAG	FUSE 2A	SICHERUNG 2A	FUSIBLE 2A

Type : B600W - DUO - RVS 10188

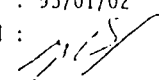
Drawer : MT

Modify : Rev. 4 R2 en R4 verwisseld

From mach.nr.: 2C11704

Date : 95/01/02

Date : 93/06/01

Checked : 

Rated voltage : 3N~ 380V 50Hz

PARTS LIST

***** A H I H O *****

Amersfoort

Assen

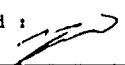
Drawing nr. : E10188

Revision nr. : y

Revision date : 941220

Code	ArtikelNr	Omschrijving	Description	Beschreibung	Designation
22	02579	ZEKERING GLAS 160mA TRAAG	FUSE 160mA	SICHERUNG 160mA	FUSIBLE 160mA

Type : B600W - DUO - RVS 10188
From mach.nr.: 2C11704
Date : 93/06/01

Drawer : MT
Date : 93/10/07
Checked : 

Modify : rev.3 E14 verwijderd ivm nieuw druk-
toetsenpaneel

Rated voltage : 3N-380V 50Hz	P A R T S L I S T	***** A N I M O ***** Amersfoort Assen	Nr. of pages : 2 Drawing nr. : E10188	Revision nr. : 3 Revision date : 931007
------------------------------	-------------------	---	--	--