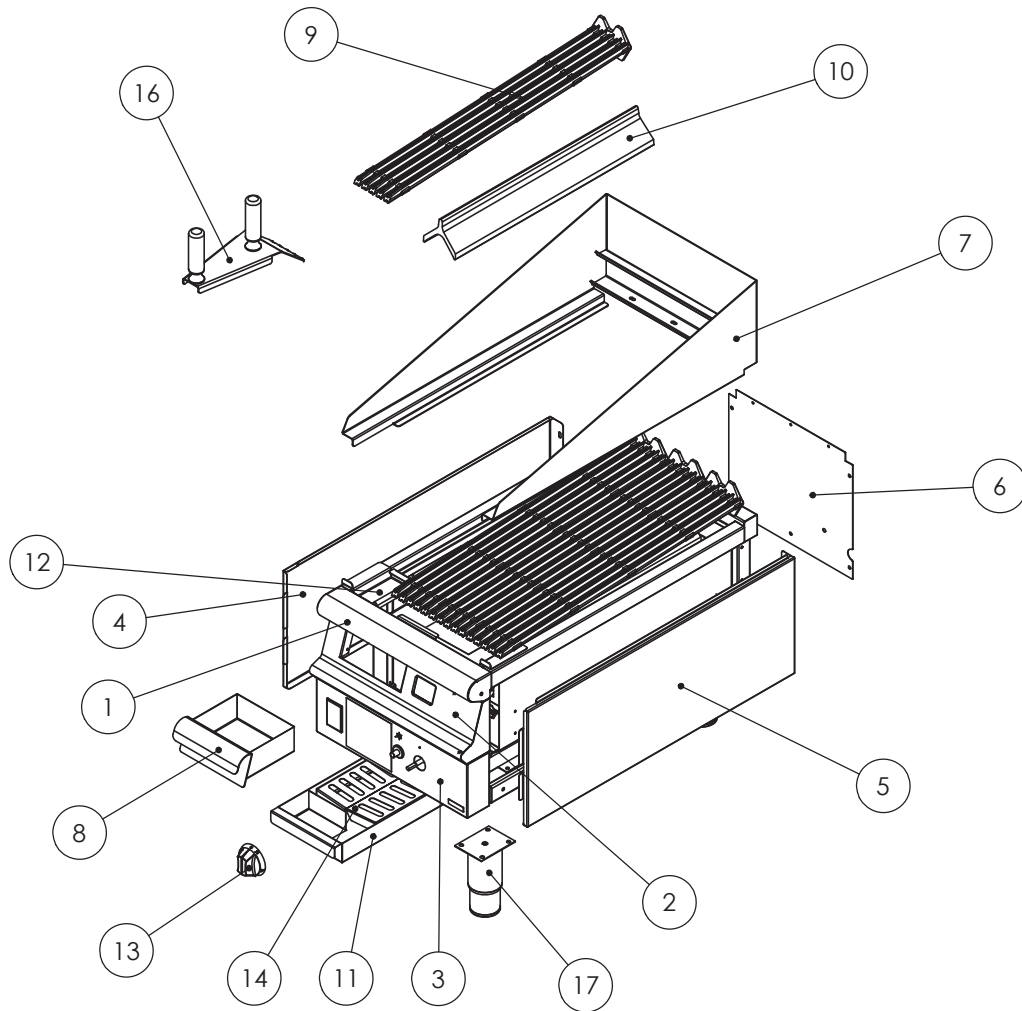


# DOMINATOR PLUS



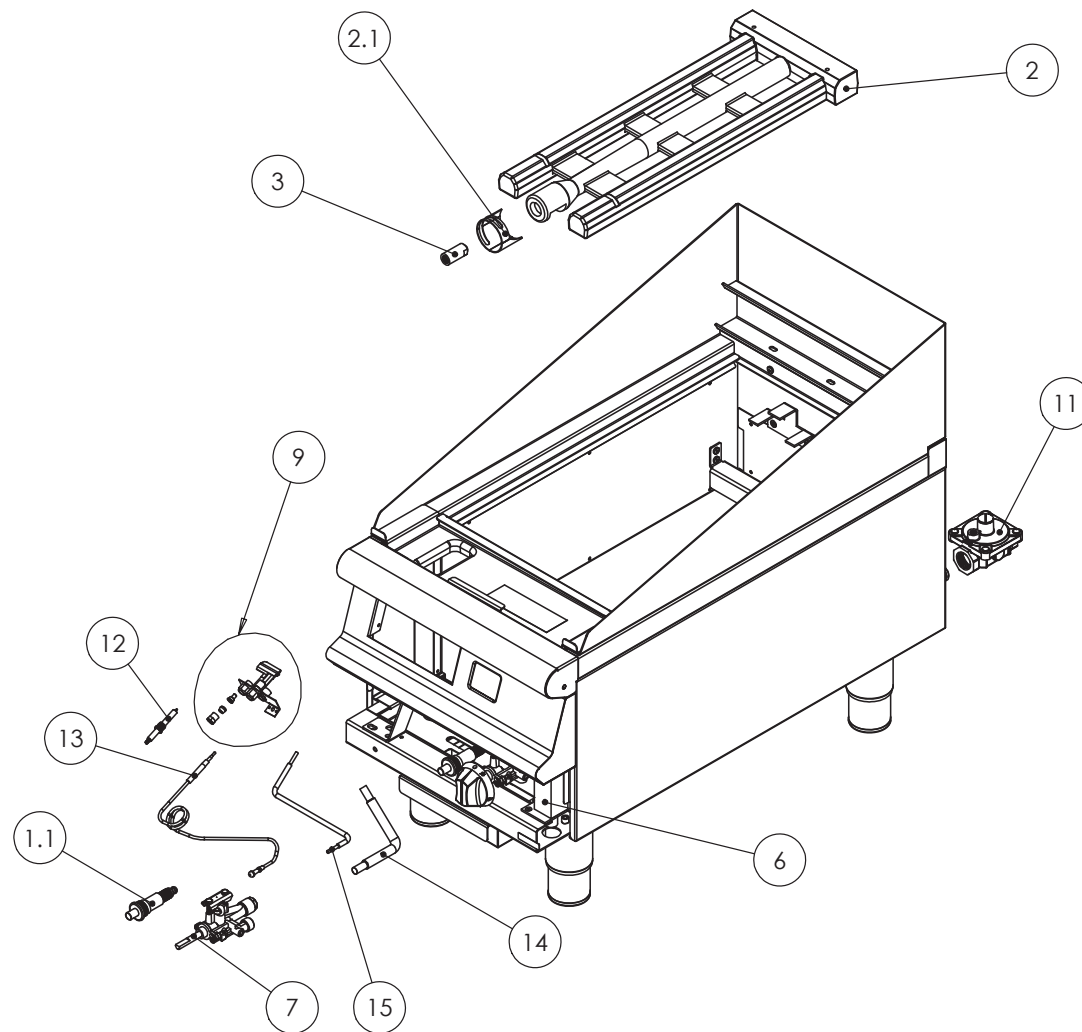
ITEM	DESCRIPTION	SPARES No
1	HOB ASSEMBLY	535090001
2	FRONT FACIA ASSEMBLY	535090002
3	LOWER CONTROL PANEL	535090003
4	OUTER SIDE LH	535150008
5	OUTER SIDE RH	535150009
6	OUTER BACK	535090004
7	SPLASH GUARD ASSEMBLY	535090005
8	FAT JUG ASSEMBLY	535050006
9	BRANDING GRID	535010013
10	BURNER BAFFLE	535010014
11	DRIP TRAY ASSEMBLY	535090006
12	SPILL TRAY ASSEMBLY	535090007
13	CONTROL KNOB	535050007
14	DRIP TRAY DEFLECTOR PLATE	535090008
15	LIFTING TOOL	535010018
16	SCRAPER	536000046
17	ST/ ST ADJUSTABLE FEET	539210810



Issue	Alteration	Date	Product	Document Reference
A	Initial Issue	09/08/11	G3425	AD49703

# DOMINATOR PLUS

ITEM	DESCRIPTION	SPARES No G3425
1	SPARK IGNITER KIT (NOT SHOWN)	535150015
1.1	SPARK IGNITER	535010000
2	BURNER ASSY	535010015
2.1	AERATION SHROUD	531880785
3	BURNER INJECTOR (NAT GAS)	535090000
4	BURNER INJECTOR (PROPANE)(NOT SHOWN)	531790180
5	BURNER INJECTOR HOLDER (PROPANE)(NOT SHOWN)	535820020
6	FLOATRAIL ASSEMBLY	535090009
7	VALVE ASSEMBLY (NAT GAS)	535010028
8	VALVE ASSEMBLY (PROPANE)(NOT SHOWN)	536000038
9	PILOT BURNER ASSEMBLY (NAT GAS)	535010005
10	PILOT BURNER ASSEMBLY (PROPANE)(NOT SHOWN)	535010034
11	GOVERNOR ASSEMBLY (NAT GAS ONLY)	536000044
12	ELECTRODE	537742004
13	THERMOCOUPLE	537883018
14	PIPE KIT $\varnothing$ 10 X 250	535010008
15	PIPE KIT $\varnothing$ 4 X 400	535010012



Issue	Alteration	Date	Product	Document Reference
A	Initial Issue	09/08/11	G3425	AD49704