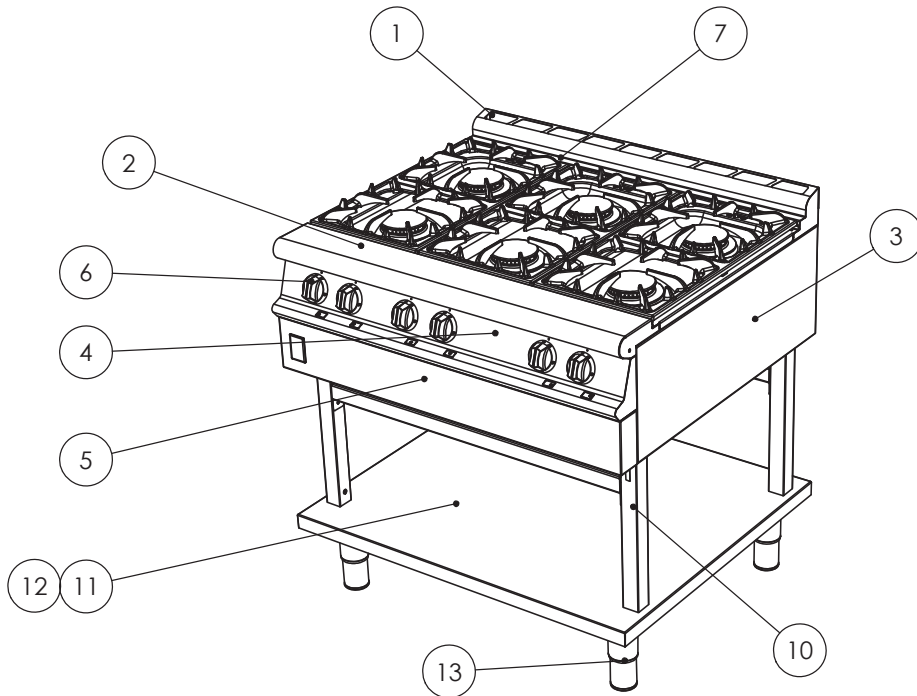
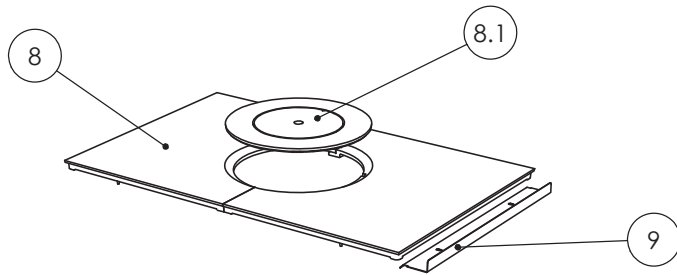


DOMINATOR PLUS

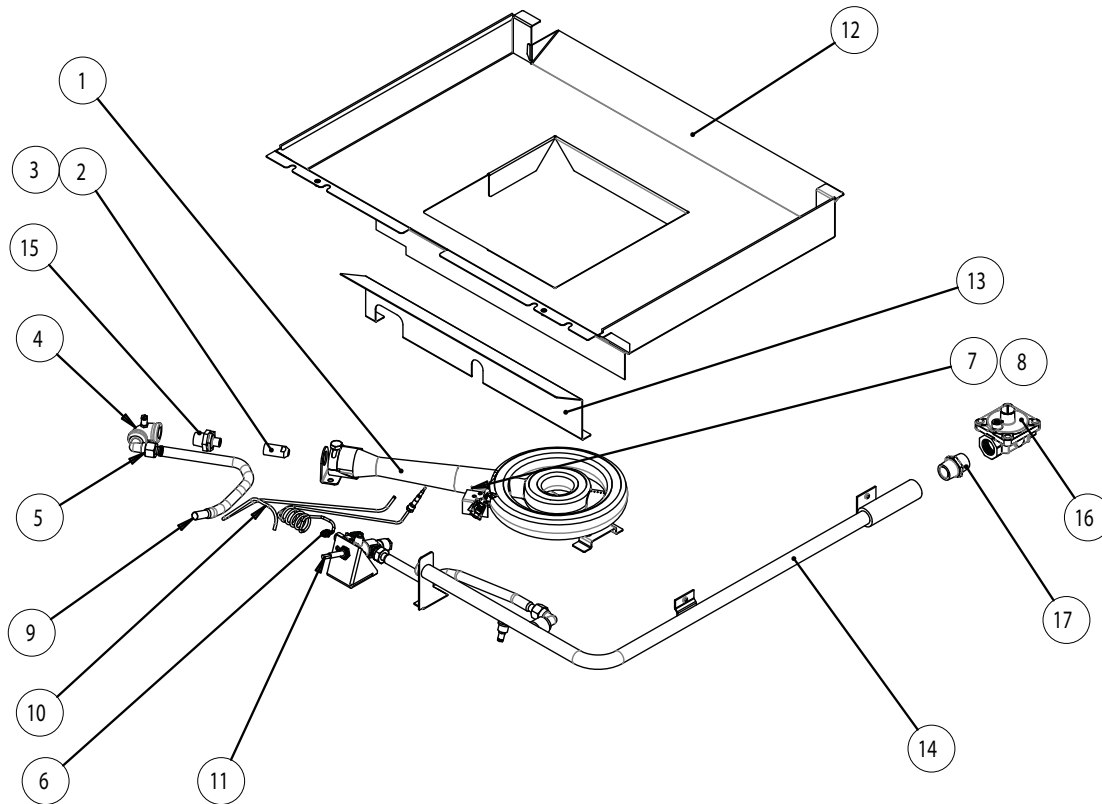


		G3121	G3127	G3124
ITEM	DESCRIPTION	SPARES No	SPARES No	SPARES No
1	REAR HOB RAIL	535290017	535290017	535330004
2	FRONT HOB RAIL	535290018	535290018	535330005
3	OUTER SIDE PANEL	535400190	535400190	535400190
4	CONTROL PANEL	535340000	535350000	535360001
5	CONTROL PANEL LOWER FACIA	535340001	535340001	535360002
6	HOB CONTROL KNOB	535290025	535310010	535290025
7	PAN SUPPORT	535290027	N/A	535290027
8	SOLID TOP CASTING COMPLETE	N/A	535400170	N/A
8.1	SOLID TOP CENTRE & RING SET	N/A	535400160	N/A
9	HOB SIDE DRIP SHED	N/A	535410018	N/A
10	LEG STAND LEG ASSEMBLY	535400202	535400202	535460002
11	BOTTOM SHELF	535400203	535400203	535460003
12	BOTTOM FRAME (NOT SHOWN)	535400204	535400204	535460004
13	ADJUSTABLE FOOT	535290028	535290028	535290028
14	REAR FIXED CASTOR (NOT SHOWN)	534103055	534103055	534103055
15	FRONT SWIVEL CASTOR (NOT SHOWN)	530964350	530964350	530964350



Issue	Alteration	Date	Product	Document Reference
A	Initial Issue	09/08/11	G3121/G3127/G3124	AA48643

DOMINATOR PLUS



ITEM	DESCRIPTION	G3107 SPARES No	G3127 SPARES No
1	SOLID TOP BURNER ASSEMBLY	535410001	535410001
2	SOLID TOP INJECTOR NAT GAS	535410006	535410006
3	SOLID TOP INJECTOR PROPANE	535410007	535410007
4	ELBOW C/W TEST NIPPLE	535310000	535310000
5	SOLID TOP PIPE COUPLING	531600030	531600030
6	SOLID TOP THERMOCOUPLE	534101001	534101001
7	SOLID TOP PILOT ASSEMBLY NAT GAS No 36	535310001	535310001
7.1	PILOT ORIFICE NAT GAS No 36	530961100	530961100
8	SOLID TOP PILOT ASSEMBLY PROPANE No 19	531600055	531600055
8.1	PILOT ORIFICE PROPANE No 19	535410015	535410015
9	SOLID TOP TAP- BURNER & FLOATRAIL FLEXI PIPE C/W OLIVES	535410003	535410003
10	SOLID TOP PILOT FLEXI PIPE C/W OLIVES	535010012	535010012
11	SOLID TOP CONTROL VALVE	535310003	535310003
11.1	4mm PILOT PIPE OLIVE	535310004	535310004
11.2	PILOT PIPE TUBE NUT	535310005	535310005
11.3	12mm GAS PIPE OLIVE	535310006	535310006
11.4	GAS PIPE TUBE NUT	535310007	535310007
12	HOB BURNER TRAY	535410017	535410017
13	TAP HEATSHIELD	535220003	535220003
14	FLOAT RAIL	535310008	535350000
15	INJECTOR HOLDER	535480035	53580035
16	GOVERNOR	535480015	535480015
17	3/4" FITTING	535480016	535480016
	CONVERSION KIT NAT GAS TO PROPANE (PRE F551159)	535310011	535350002
	CONVERSION KIT PROPANE TO NAT GAS (PRE F551159)	535310012	535350003
	CONVERSION KIT NAT GAS TO PROPANE (POST F551159)	535310013	535350002
	CONVERSION KIT PROPANE TO NAT GAS (POST F551159)	535310014	535350003



Issue	Alteration	Date	Product	Document Reference
B	7178	04/12/2014	G3107/G3127 hob controls	AD48644