

# **CSW2 Parts List**

## **Table of Contents**

**Cabinet**

**Control Box**

**Refrigeration**

**Air Cooled**

**Water Cooled**

**Water System**

**Grid**

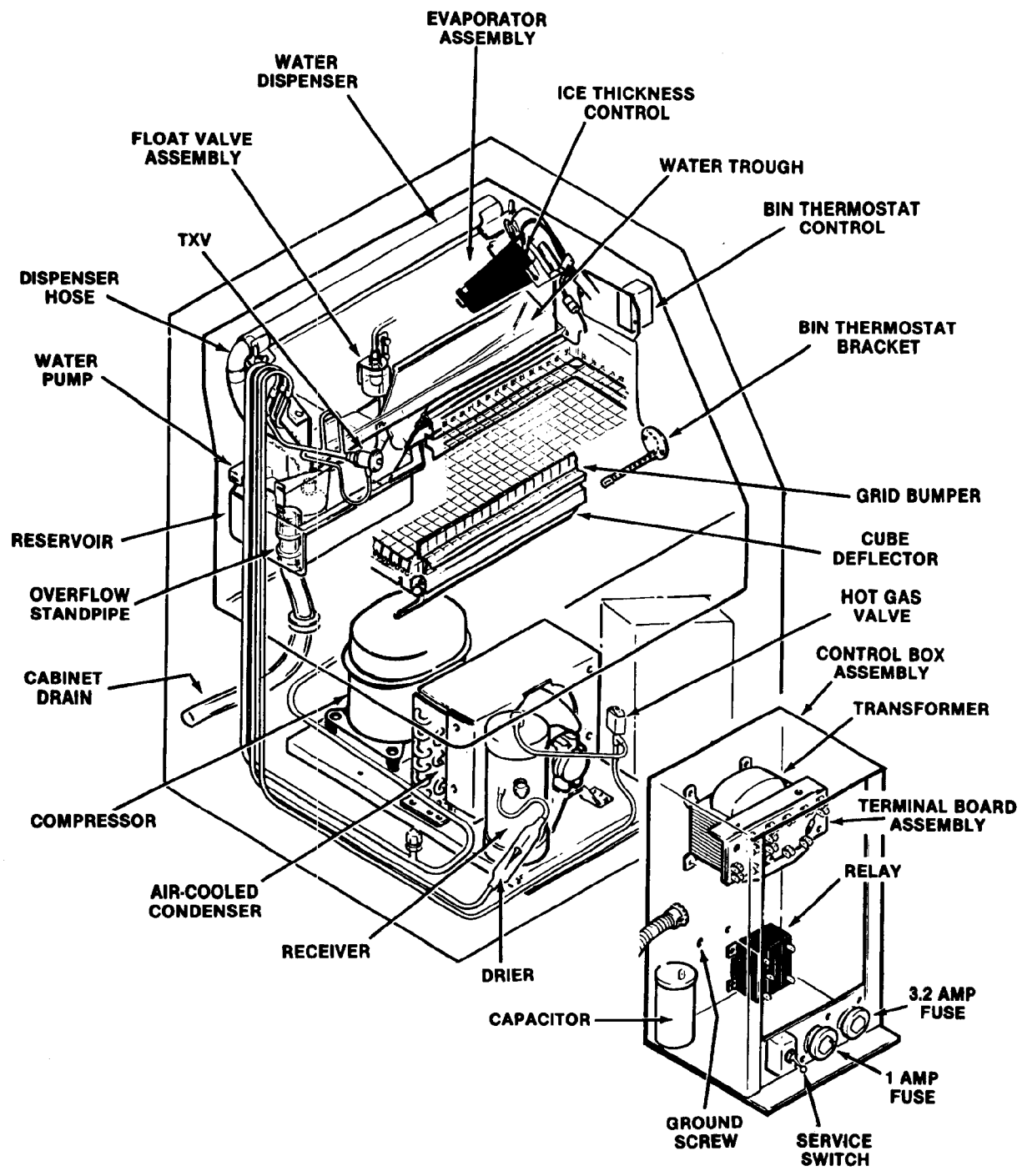
**Ice Thickness Control**

**Wiring Diagrams**

## CSW2 THE PARTS ILLUSTRATIONS AND PARTS LISTS

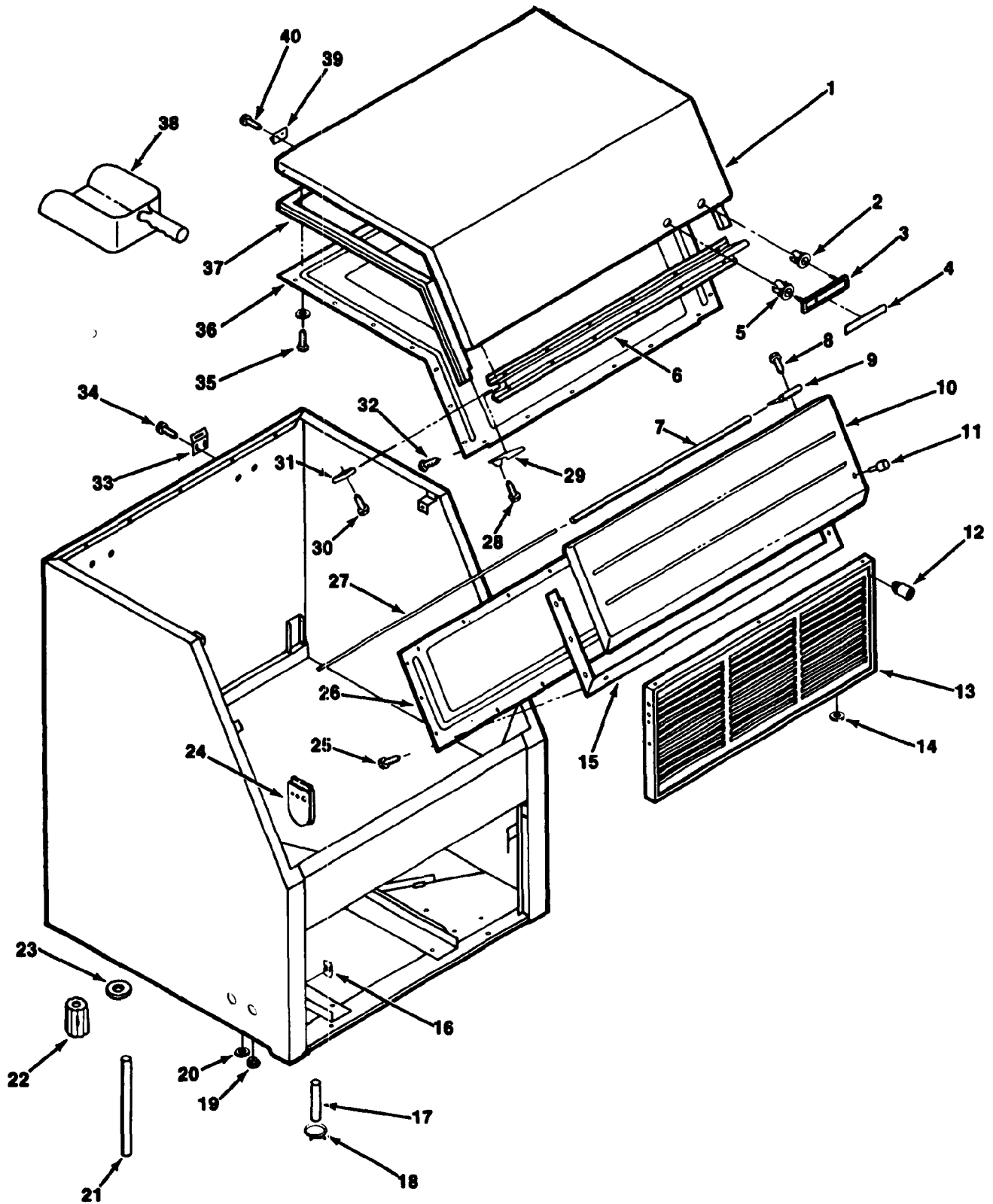
### CABINET ASSEMBLY

ITEM NUMBER	PART NUMBER	DESCRIPTION
1	0755535	Panel, Exterior Top
2	0654067	Clip, Tubular
3	0837577	Nameplate Escutcheon
4	0780003	Insert, Nameplate
5	0654068	Clip, Tubular
6	0577337	Cover, Hinge Rod
7	0577338	Spacer, Hinge Rod
8	0681228	Screw, #10-32 x 5/8
9	0562308	Hinge, Storage Door (2)
10	0599474	Panel, Exterior Storage Door
11	0596561	Bumper, Rubber
12	0681476	Clip, Tubular
13	0585293	Panel, Front
14	0593842	Washer, Rubber
15	0577329	Gasket
16	0487322	Speednut
17	0598399	Hose, Drain
18	0596727	Clamp
19	0596097	Grommet
20	0587863	Grommet
21	0598402	Hose Drain
22	0598371	Cover Drain
23	0598401	Gasket Drain
24	0598394	Grommet, Tubing
25	0596671	Screw
26	0562427	Panel, Interior Storage Door
27	0562305	Rod, Hinge
28	0681228	Screw, #10-32 x 5/8
29	0562307	Hinge, Upper Panel (2)
30	0680988	Screw
31	0577339	Spacer, Hinge Rod (2)
32	0596671	Screw
33	0585227	Bracket (2)
34	0681228	Screw, #10-32 x 5/8
35	0596671	Screw
36	0562312	Panel, Interior Top
37	0755542	Gasket
38	0587100	Scoop, Ice Cube
39	0585563	Bracket
40	0681228	Screw, #10-32 x 5/8

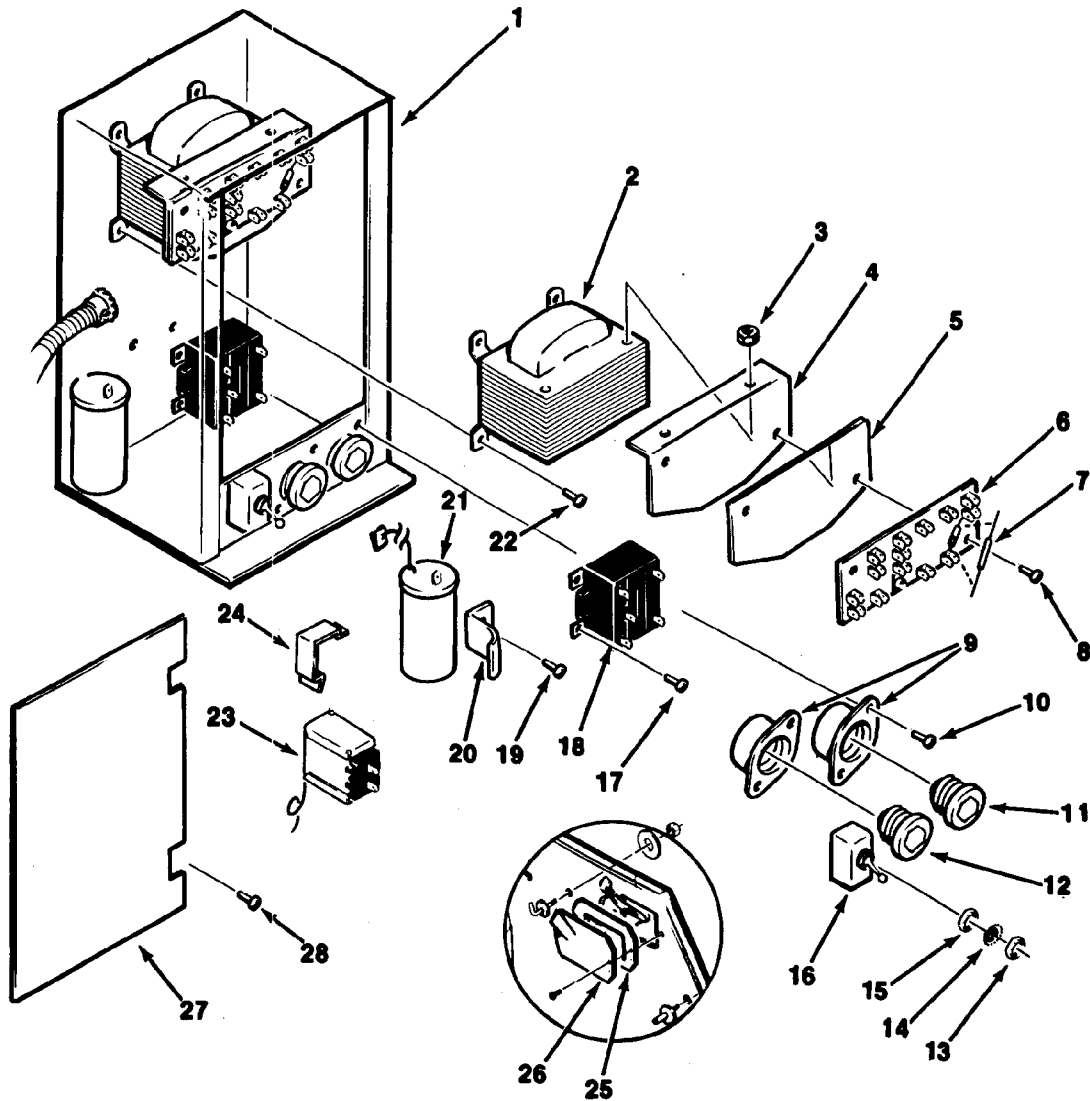


CSW2 - Component Location

**CSW2**  
**THE PARTS ILLUSTRATIONS AND PARTS LISTS**



# CSW2 THE PARTS ILLUSTRATIONS AND PARTS LISTS



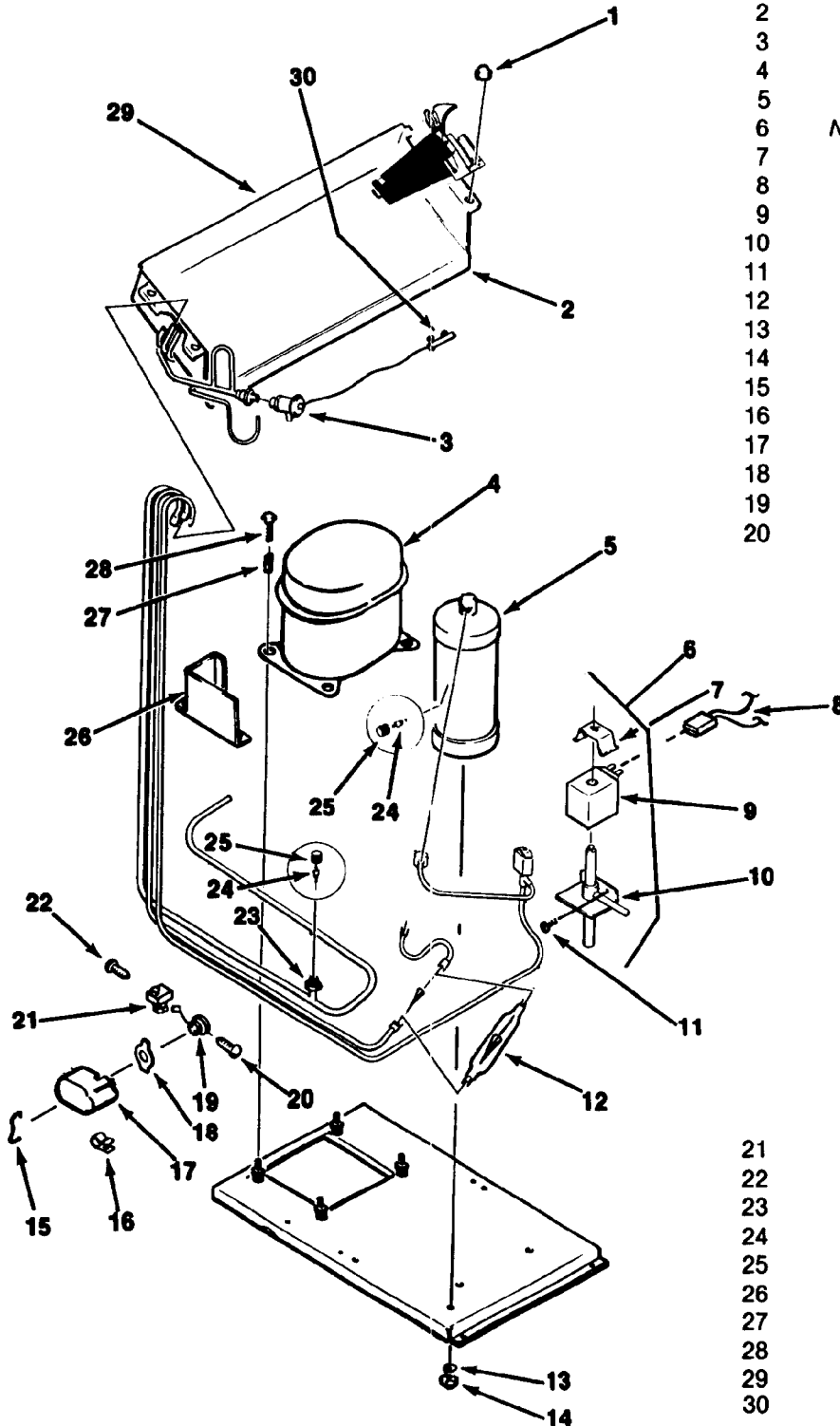
## TERMINAL BOX ASSEMBLY

ITEM NUMBER	PART NUMBER	DESCRIPTION
1	No Number	Shell, Terminal Box
2	0598276	Transformer
3	0595176	Nut, #8-32
4	0564724	Bracket, Terminal
5	0572027	Protector, Transformer
6	0598409	Board, Terminal
7	0598412	Resistor
8	0680968	Screw
9	12-2275-02	Receptacle
10	0680604	Screw
11	12-2276-04	Fusestat (3.2 Amp)
12	12-2276-02	Fusestat (1.0 Amp)
13	0596021	Nut
14	0596022	Lockwasher
15	0596021	Nut
16	0560940	Switch, Service
17	0595354	Screw
18	0598411	Relay, Defrost Control
19	0595354	Screw
20	0560767	Clamp, Capacitor
21	0598216	Capacitor
22	0595354	Screw
23	0572847	Switch, High Pressure (Water-Cooled Only)
24	0596216	Clip (Water-Cooled Only)
25	0598467	Plate
26	0562262	Gasket
27	0585270	Cover, Control Box
28	0680968	Screw

# CSW2 THE PARTS ILLUSTRATIONS AND PARTS LISTS

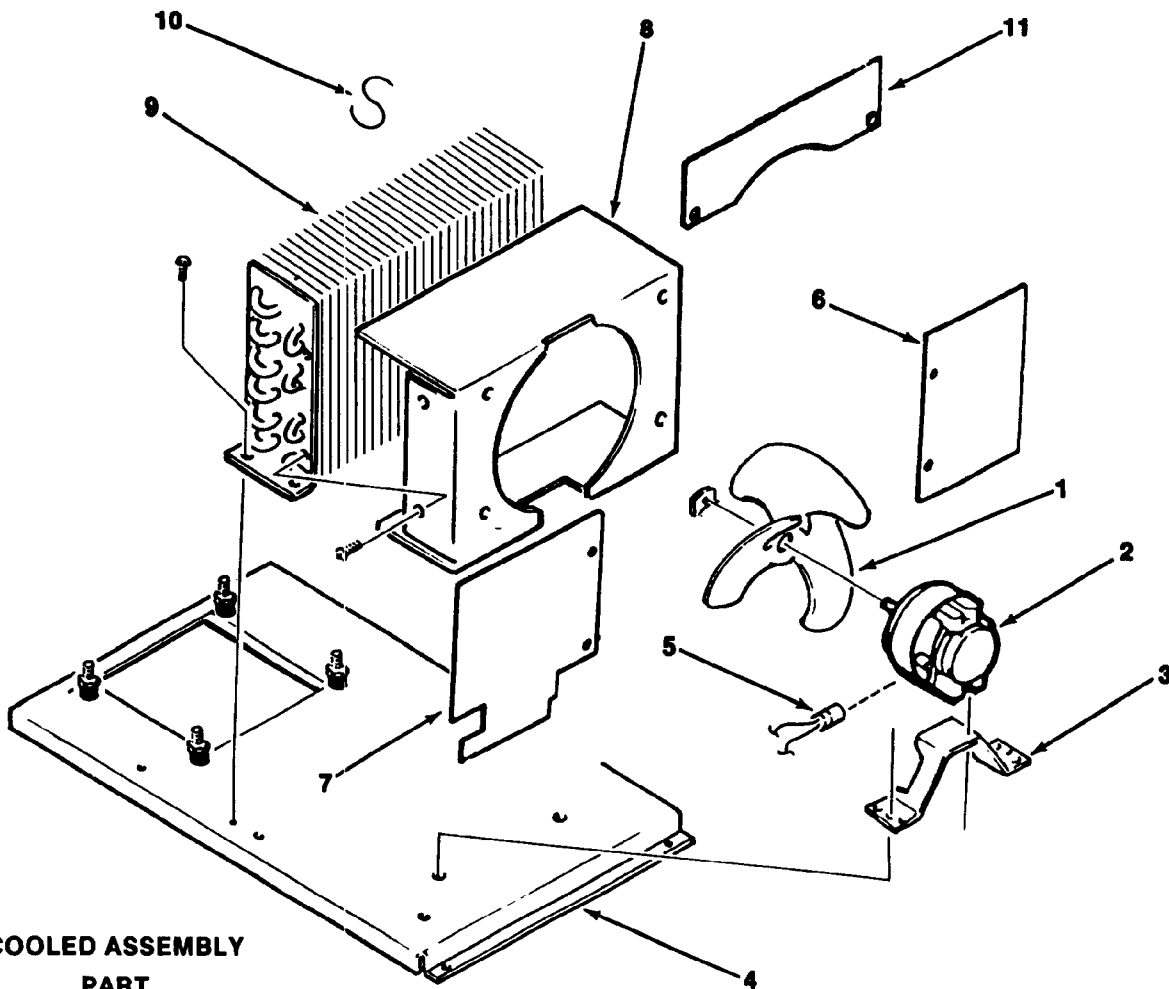
## REFRIGERATION SYSTEM

ITEM NUMBER	PART NUMBER	DESCRIPTION
1	0595181	Nut, Cap (2)
2	0681584	Nut, Wing (2)
3	0757353	Valve, Expansion
4	0780038	Compressor
5	0572803	Tank Receiver
6	No Number	Hot Gas Defrost Valve
7	12-2009-01	Clamp
8	0598509	Harness, Solenoid Valve
9	12-2008-01	Coil, Solenoid Valve
10	0598502	Body Solenoid Valve
11	0681058	Screw
12	0572801	Drier
13	0681467	Washer
14	0595172	Nut, 3/8-16
15	0560850	Strap, Bale
16	No Number	Clamp, Wire
17	0589230	Cover, Terminal
18	0560851	Pring, Overload
19	0598210	Overload
20	0595036	Screw, 6-32 x 1/4



21	0598215	Relay, Starting
22	0595036	Screw, 6-32 x 1/4
23	0561955	Valve, Body
24	0561958	Core, Valve
25	0561957	Cap, Valve
26	0598218	Protector, Wire
27	0583536	Sleeve
28	0681342	Screw
29	0780099	Evaporator Ass'y.
30	0593496	Clip-Capillary Bulb

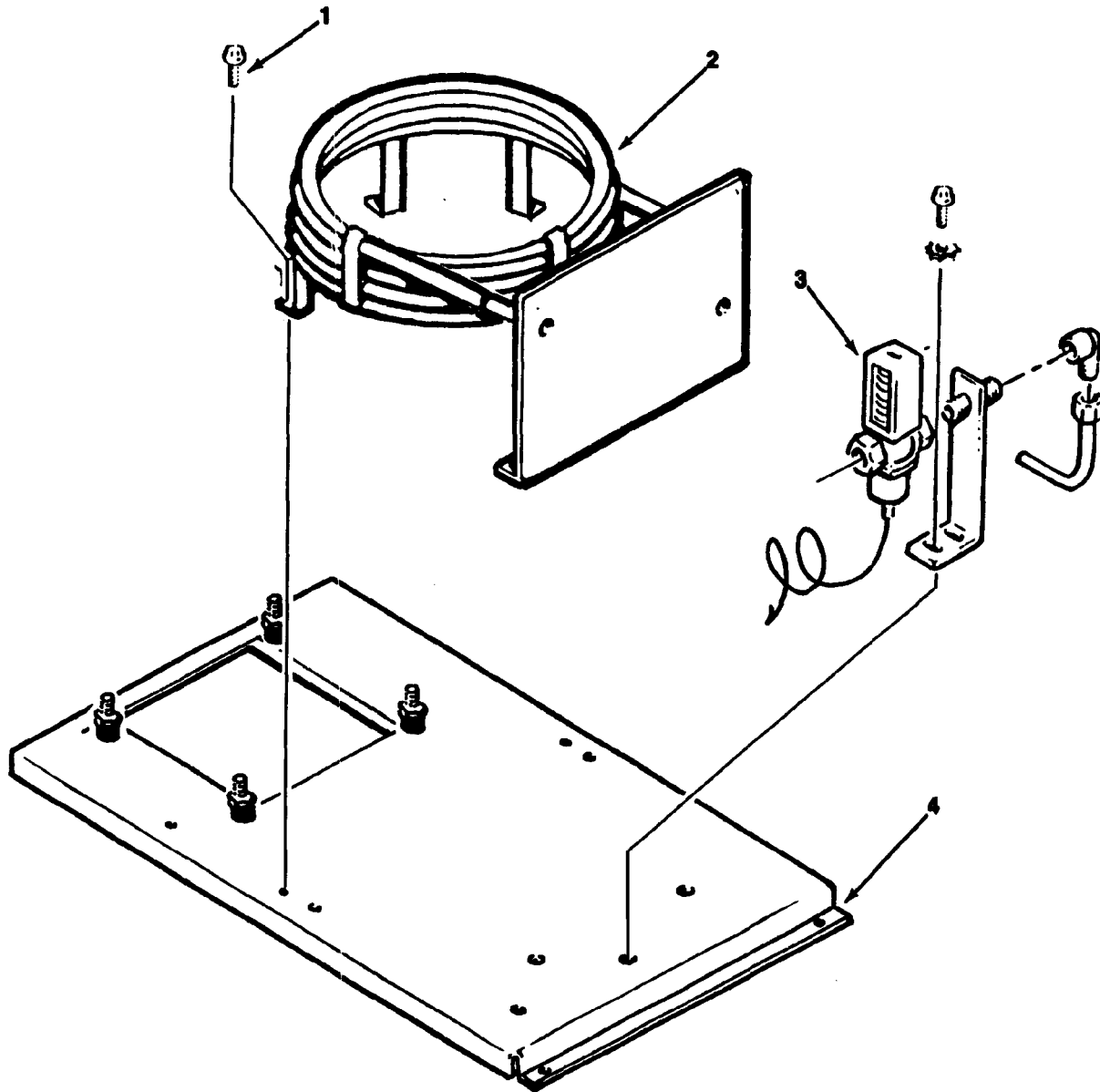
## CSW2 THE PARTS ILLUSTRATIONS AND PARTS LISTS



### AIR-COOLED ASSEMBLY

ITEM NUMBER	PART NUMBER	DESCRIPTION
1	0560842	Blade, Fan
		Attaching Parts, Index 1 and 2
	059380	Nut, Speed
2	12-1575-01	Motor, Fan
		Attaching Parts, Index 2 and 3
	0680811	Screw
3	0560839	Bracket, Fan Motor
		Attaching Parts, Index 3 and 4
	0680439	Screw
4	<i>No Number</i>	Plate, Base
5	0598570	Harness, Fan Motor
6	0560844	Baffle (Right)
7	0577025	Baffle (Left)
8	0560837	Shroud
		Attaching Parts, Index 8 and 9
	0681233	Screw, #10-12 x 1/2
9	0560834	Condenser
		Attaching Parts, Index 9 and 4
	0681305	Screw, 1/4-20 x 1/2
	0595380	Nut, Speed
10	0564433	Clip
11	0560846	Baffle (Top)

**CSW2  
THE PARTS ILLUSTRATIONS AND PARTS LISTS**

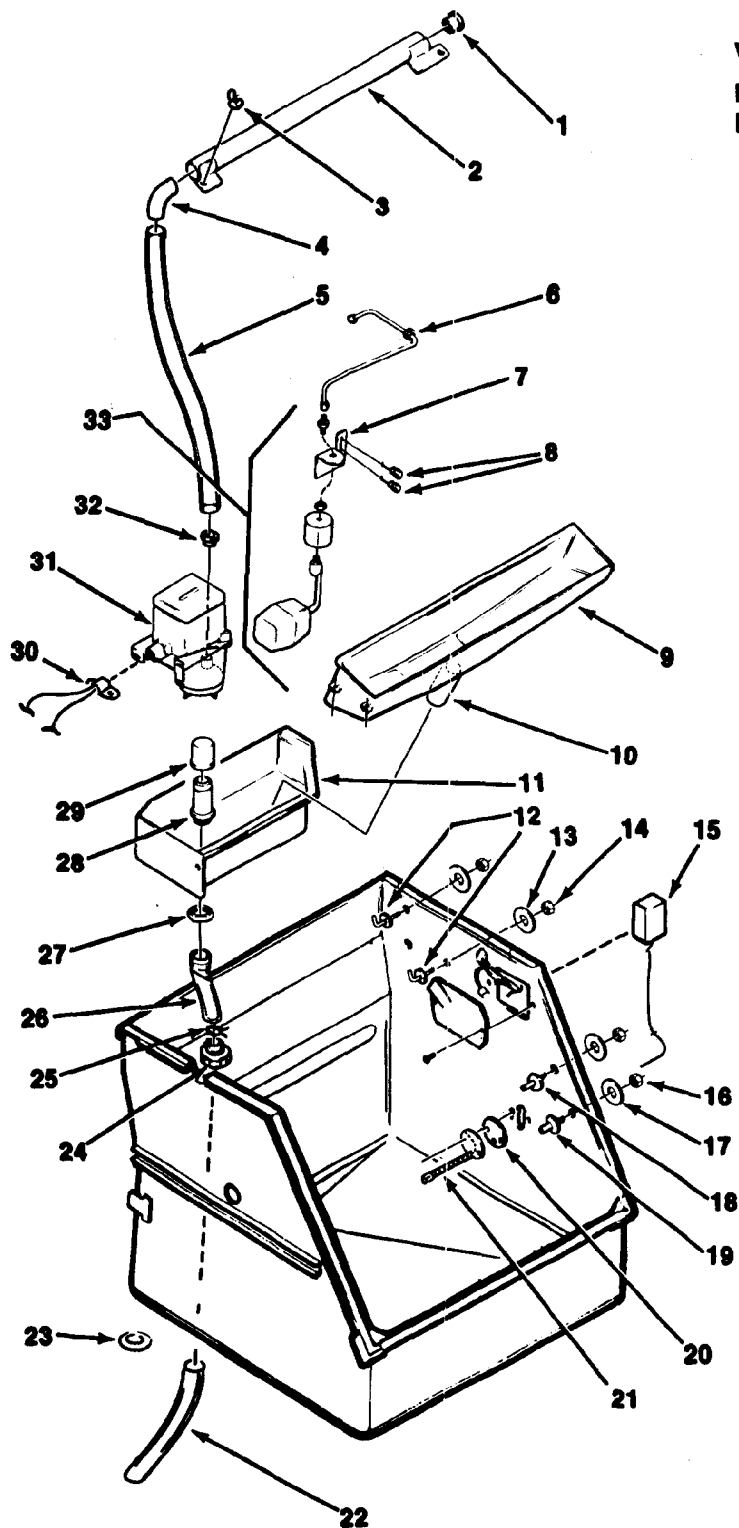


**WATER-COOLED ASSEMBLY**

ITEM NUMBER	PART NUMBER	DESCRIPTION
1	0681305	Screw, 1/4-20 x 1/2
2	0598050	Condenser
3	0585386	Water Valve
4	No Number	Base Plate



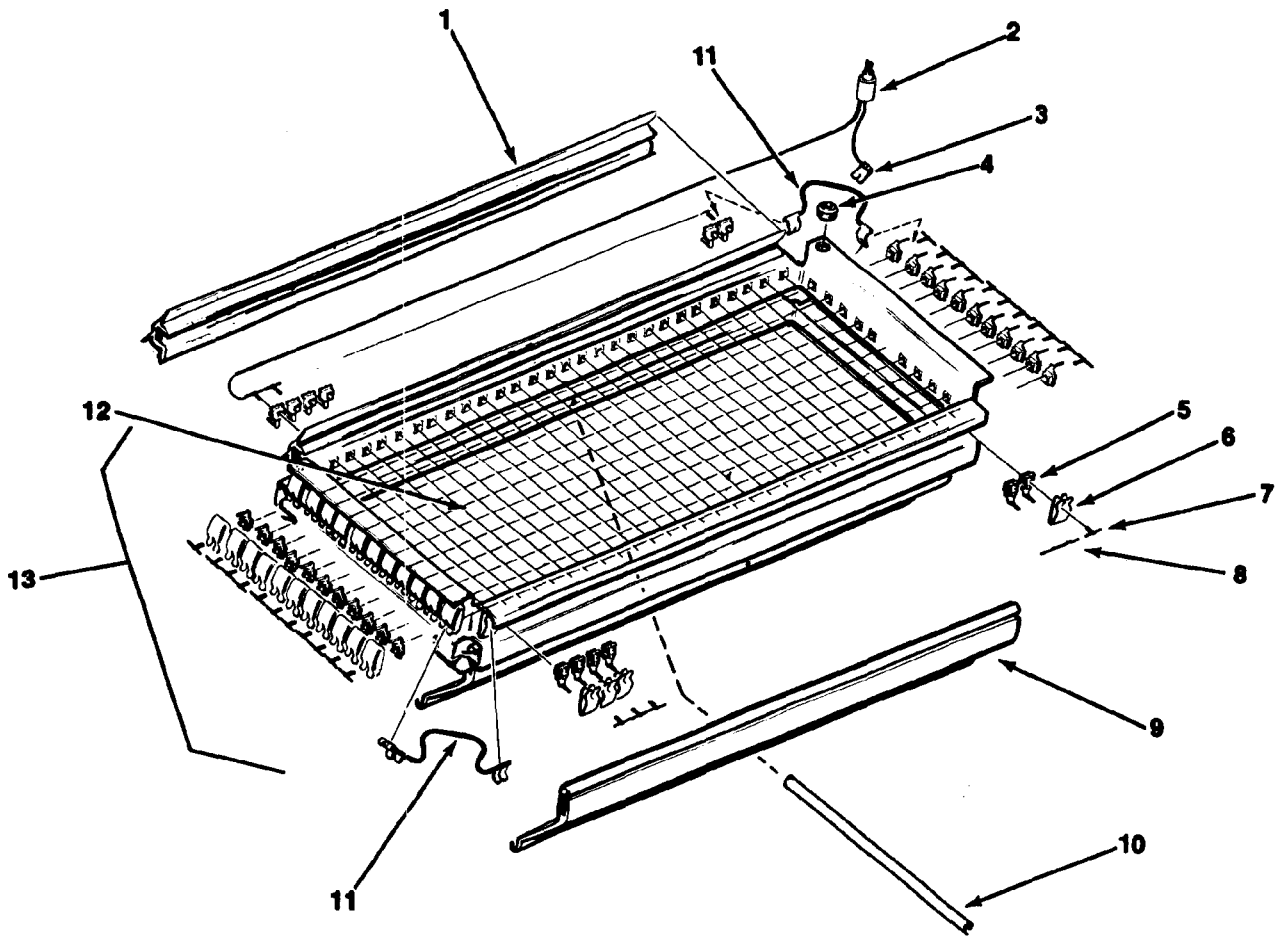
# CSW2 THE PARTS ILLUSTRATIONS AND PARTS LISTS



## WATER SYSTEM — STORAGE BIN

ITEM NUMBER	PART NUMBER	DESCRIPTION
1	0583481	Seal, Dispenser
2	0562280	Dispenser, Water
3	0681584	Nut, Wing (2)
4		Elbow
5	0756276	Hose, Dispenser
6	No Number	Grommet
7	0587675	Bracket, Float Valve
8	No Number	Thumbscrews
9	0593069	Trough, Water
10	0568379	Tubing, Plastic
11	0585148	Pan, Water
12	0598478	Stud (2)
13	0585231	Washer, Stud
14	03-1406-08	Nut, 1/4-20
15	0593201	Thermostat, Bin Control
16	03-1406-08	Nut, 1/4-20
17	0585231	Washer, Stud
18	0598397	Stud (2)
19	0598476	Stud (2)
20	0562262	Gasket, Thermostat Well
21	0562251	Well, Thermostat
22	0598402	Hose Drain
23	0598401	Gasket Drain
24	0598371	Cover Drain
25	0596727	Clamp
26	0598399	Hose, Drain
27	0583266	Nut
28	0577430	Tube, Siphon
29	0562296	Cap, Siphon
30	0569434	Plub, Pump
31	0756782-20	Pump, Water
32	0587556	Flow Washer Pump Inlet
33	0593654	Float Valve Assembly

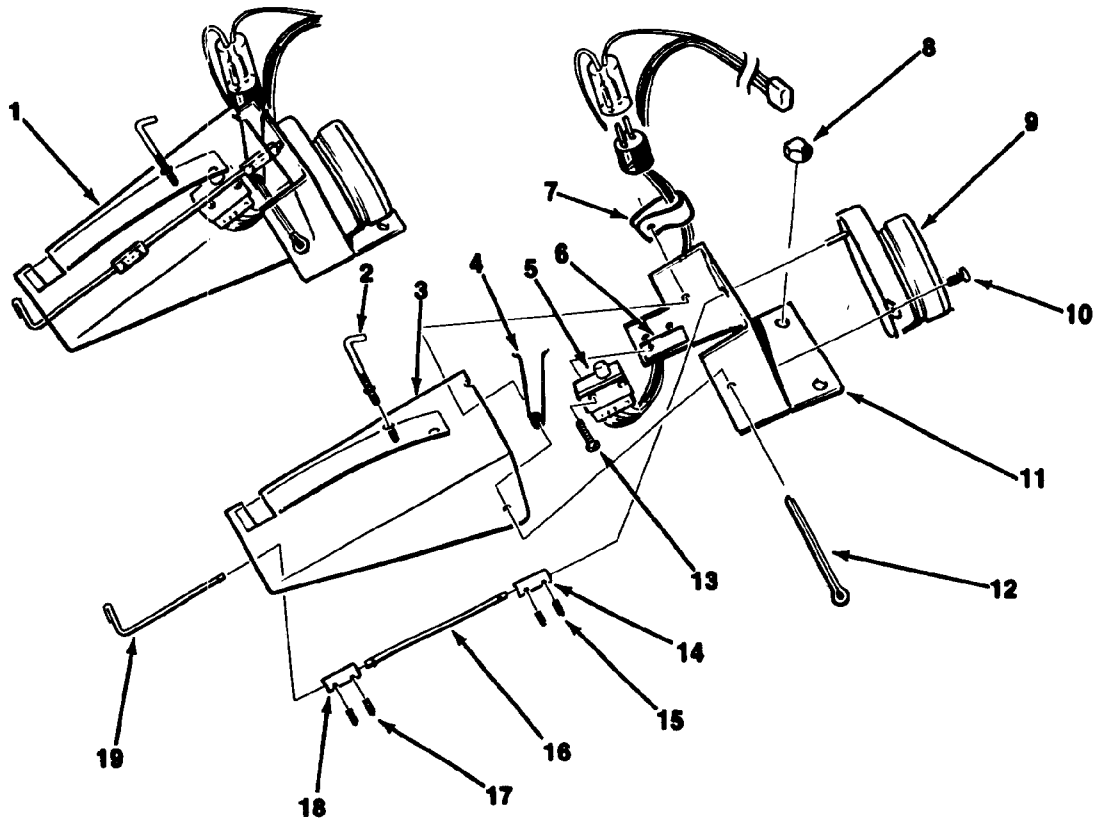
## CSW2 THE PARTS ILLUSTRATIONS AND PARTS LISTS



### ICE CUTTER GRID ASSEMBLY

ITEM NUMBER	PART NUMBER	DESCRIPTION
1	0563425	Baffle, Splash
2	0585536	Plug Assembly (3/4" Cube)
3	No Number	Clip, Terminal
4	0680634	Bushing, Strain Relief
5	0598277	Insulator, Grid (1-1/4" Cube) (40) ea. (3/4" Cube) (80) ea.
6	0564072	Clip, Grid Wire (1-1/4" Cube) (40) ea. (3/4" Cube) (80) ea.
7	0587112	Pin, Cutter Wire
8	0587111	Pin, Cutter Wire (3/4" Cube) (38) ea.
9	0577026	Deflector, Cube
10	0562575	Brace, Grid Frame (3/4" Cube Only)
11	0587102	Wire, Connector Grid (3/4" Cube)
12	0588114	Kit, Cutter Wire (1-1/4" Cube)
	0588115	Kit, Cutter Wire (3/4" Cube)
13	CCK154CG	Complete Grid Ass'y. (3/4" x 3/4")
	CCK153SG	Complete Grid Ass'y. (1-1/4" x 1-1/2")

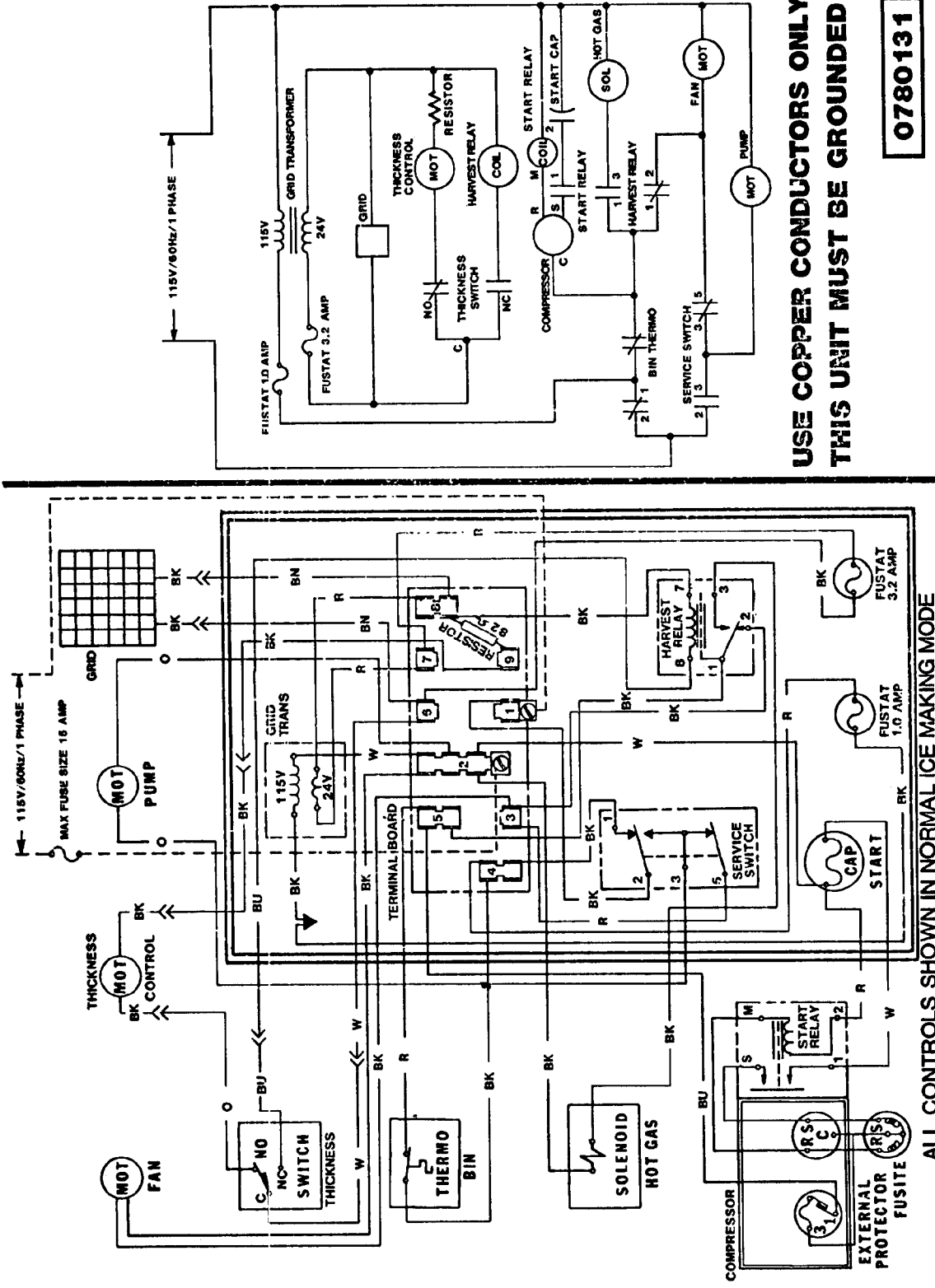
# CSW2 THE PARTS ILLUSTRATIONS AND PARTS LISTS



## ICE THICKNESS CONTROL ASSEMBLY

ITEM NUMBER	PART NUMBER	DESCRIPTION
1	0598369	Control, Ice Thickness
2	0751991	Screw, Adjusting
3	0587293	Bracket, Shaft
4	0560861	Spring, Hold Down
5	0587889	Harness, Switch
6	0587996	Spacer
7	0596338	Clamp, Wire
8	0595181	Nut, Cap (2)
9	0577540	Motor, Control
10	0680854	Screw, 4-40 x 3/8
11	0607811	Bracket, Motor
12	0680668	Cotter, Pin
13	0681433	Screw, 4-40 x 3/4
14	0572489	Coupling, (2)
15	0595330	Setscrew, 6-32 x 3/16
16	0607816	Shaft, Flexible
17	0595330	Setscrew
18	0585508	Coupling
19	0585507	Shaft, Formed End

# CSW2 WIRING DIAGRAMS

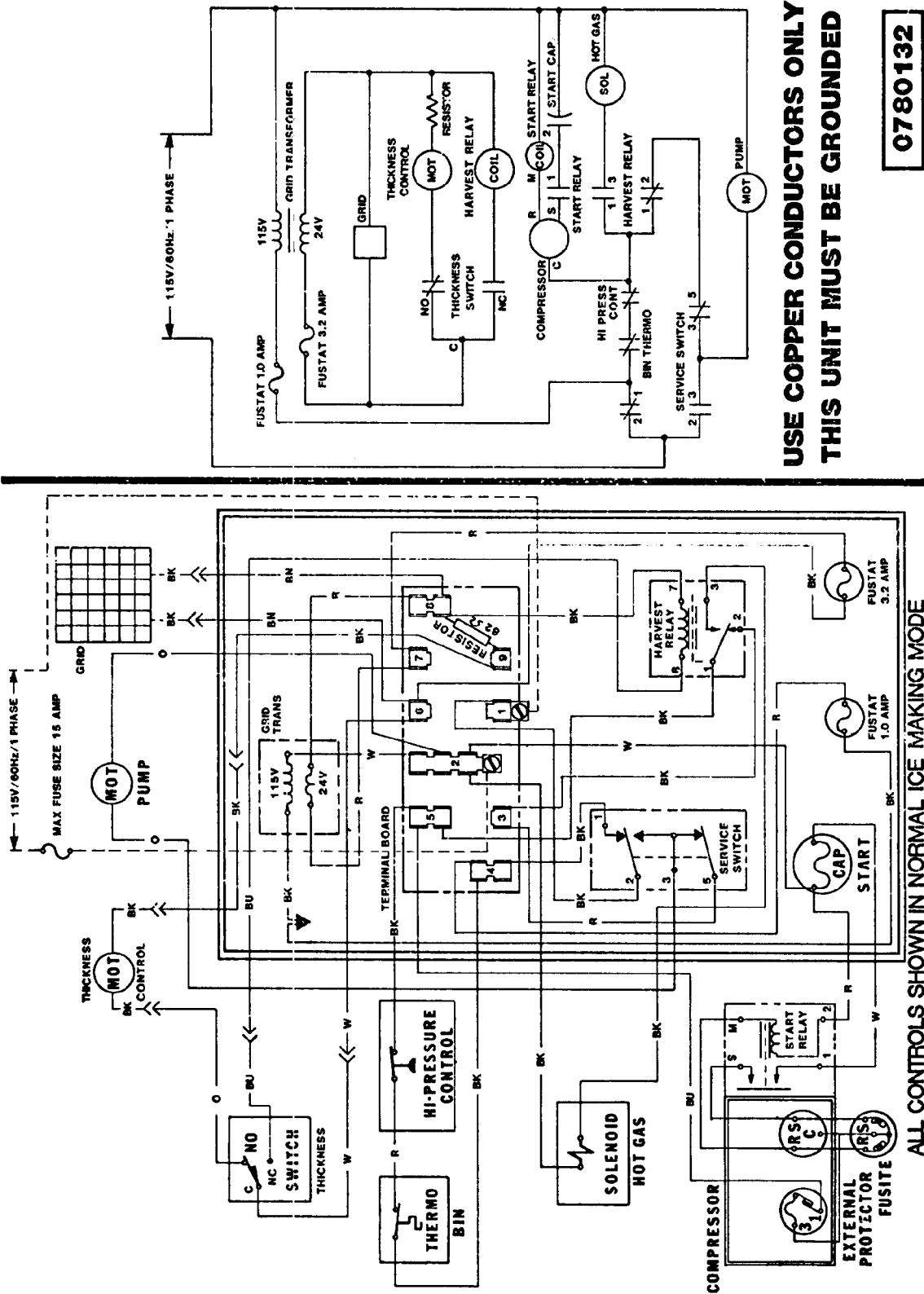


Wiring Diagram, CSW2 AE-1A (115/60/1) Air-Cooled

**USE COPPER CONDUCTORS ONLY  
THIS UNIT MUST BE GROUNDED**

**0780131**

# CSW2 WIRING DIAGRAMS



Wiring Diagram, CSW2 WE-1A (115/60/1) Water-Cooled