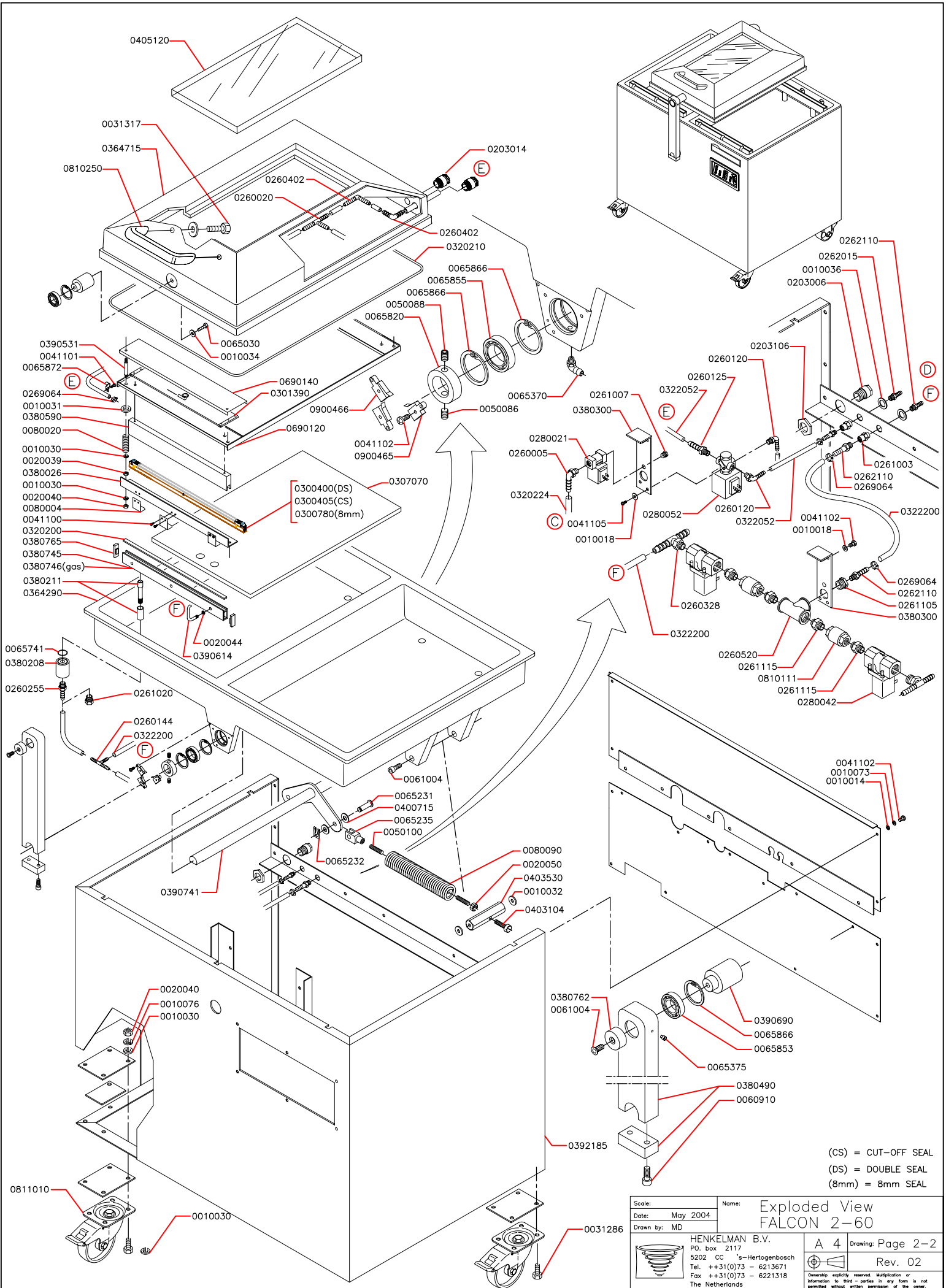
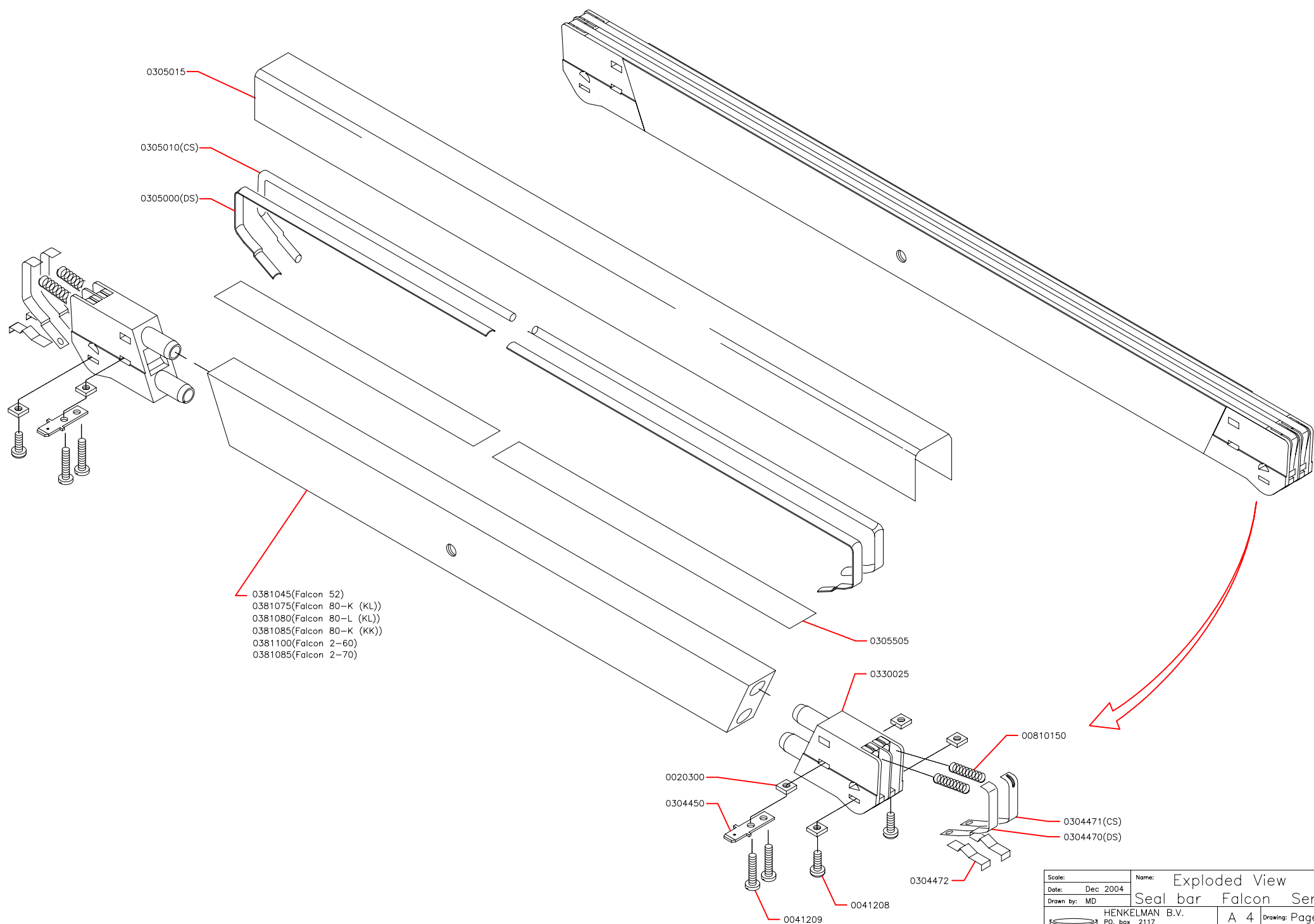


Scale:	Name: Exploded View FALCON 2-60
Date: May 2004	
Drawn by: MD	
	HENKELMAN B.V. P.O. box 2117 5202 CC 's-Hertogenbosch Tel. ++31(0)73 - 6213671 Fax ++31(0)73 - 6221318 The Netherlands
	A 4 Drawing: Page 1-2
	Rev 02
	<small>Ownership explicitly reserved. Multiplication or information to third - parties in any form is not permitted without written permission of the owner.</small>

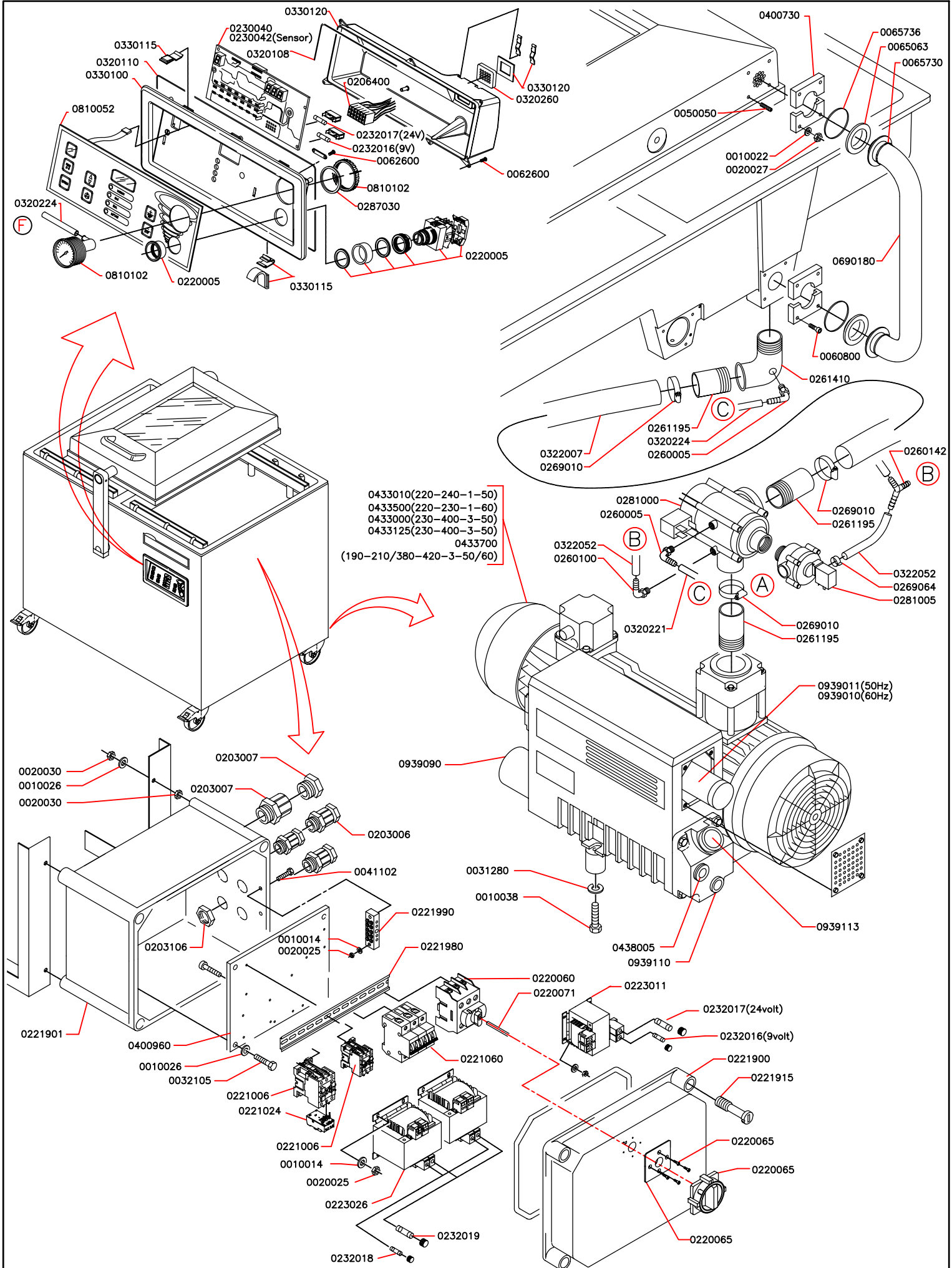


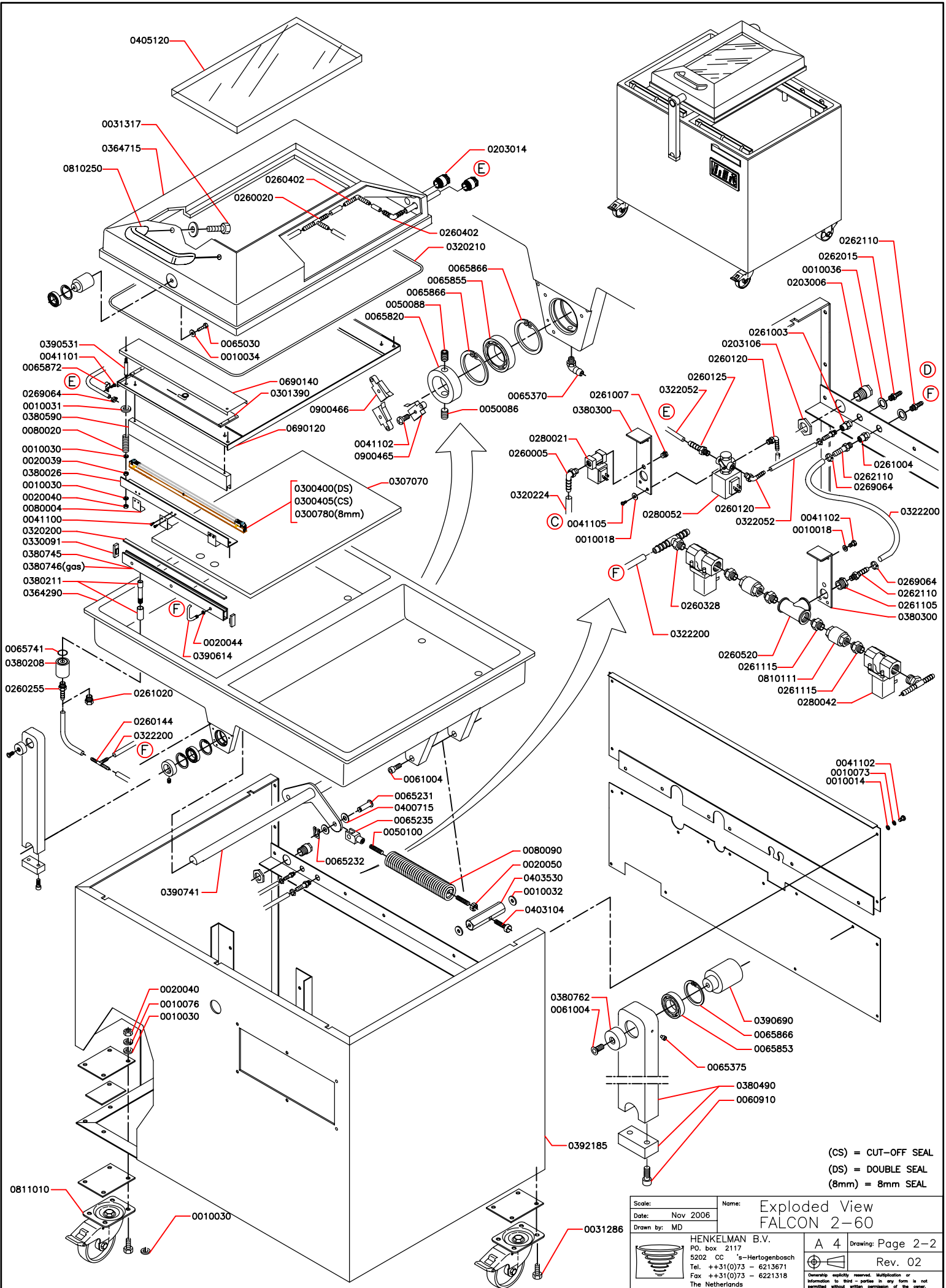
Scale:	Name:	Exploded View FALCON 2-60	
Date:	May 2004		
Drawn by:	MD		
HENKELMAN B.V. P.O. box 2117 5202 CC 's-Hertogenbosch Tel. ++31(0)73 - 6213671 Fax ++31(0)73 - 6221318 The Netherlands		A 4	Drawing: Page 2-2
		Rev. 02	
<small>Ownership explicitly reserved. Multiplication or information to third parties in any form is not permitted without written permission of the owner.</small>			



- 0381045(Falcon 52)
- 0381075(Falcon 80-K (KL))
- 0381080(Falcon 80-L (KL))
- 0381085(Falcon 80-K (KK))
- 0381100(Falcon 2-60)
- 0381085(Falcon 2-70)

Scale:	Name:	Exploded View	
Date:	Dec 2004	Seal bar Falcon Series	
Drawn by:	MD	A 4	Drawing: Page 1-1
HENKELMAN B.V. P.O. box 2117 5202 CC 's-Hertogenbosch Tel. ++31(0)73 - 6213671 Fax ++31(0)73 - 6221318 The Netherlands		Rev. 01 <small>Ownership explicitly reserved. Multiplication or information to third parties in any form is not permitted without written permission of the owner.</small>	





(CS) = CUT-OFF SEAL
 (DS) = DOUBLE SEAL
 (8mm) = 8mm SEAL

Scale:	Name:	Exploded View FALCON 2-60	
Date: Nov 2006			
Drawn by: MD			
		A 4 Drawing: Page 2-2 Rev. 02	
HENKELMAN B.V. P.O. box 2117 5202 CC 's-Hertogenbosch Tel. ++31(0)73 - 6213671 Fax ++31(0)73 - 6221318 The Netherlands		<small>Ownership legally reserved. Multiplication or information to third parties in any form is not permitted without written permission of the owner.</small>	