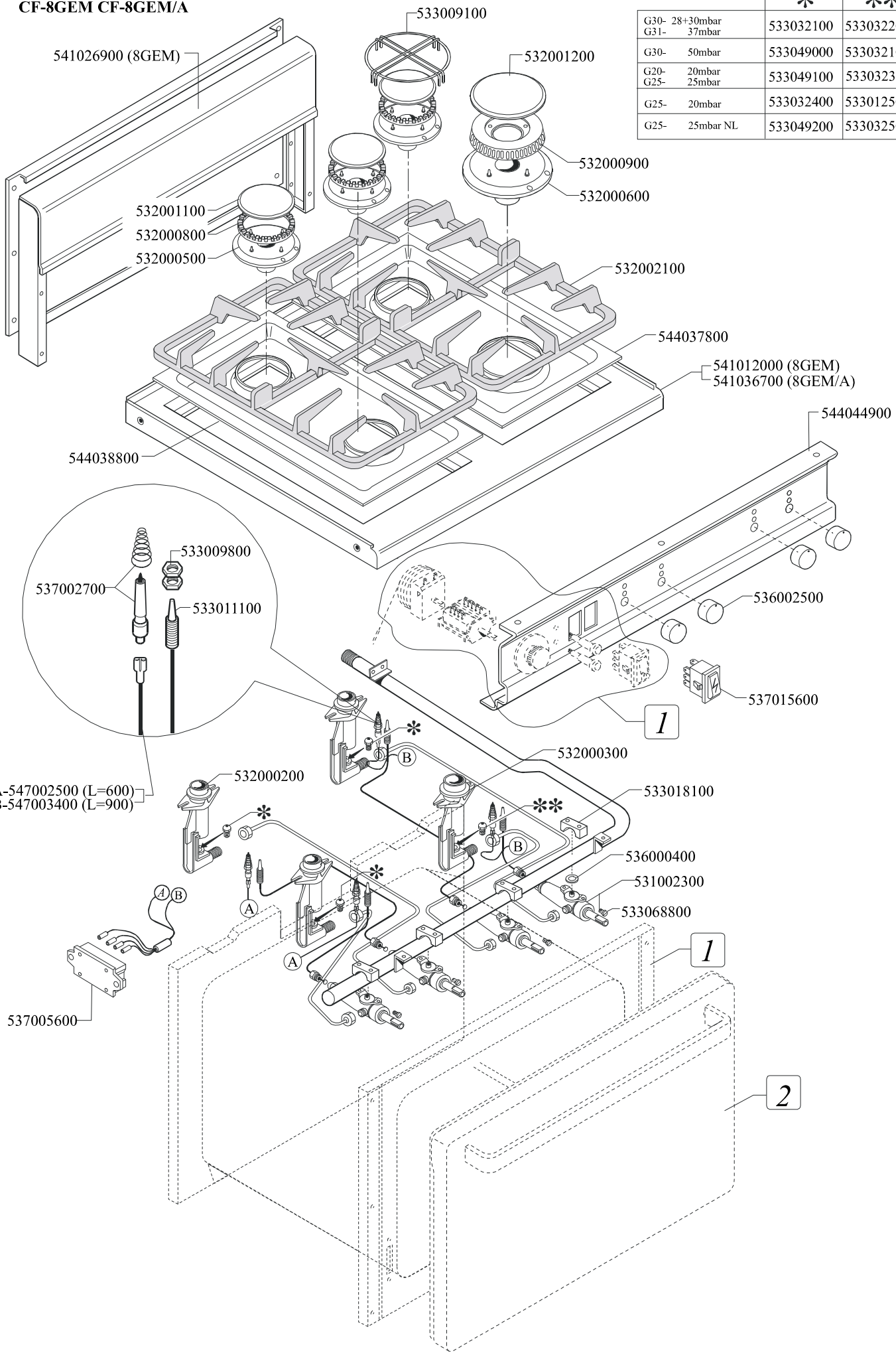
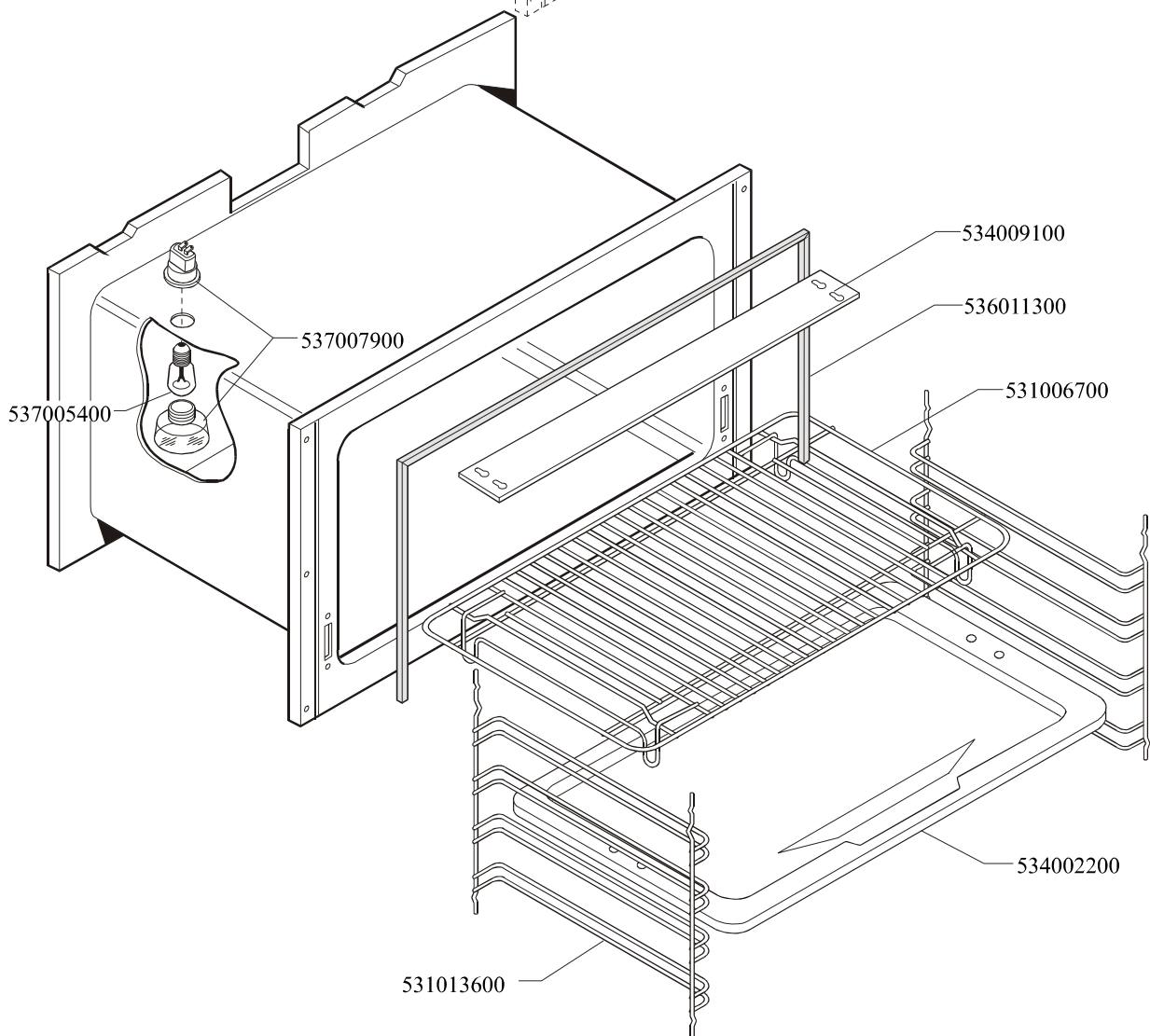
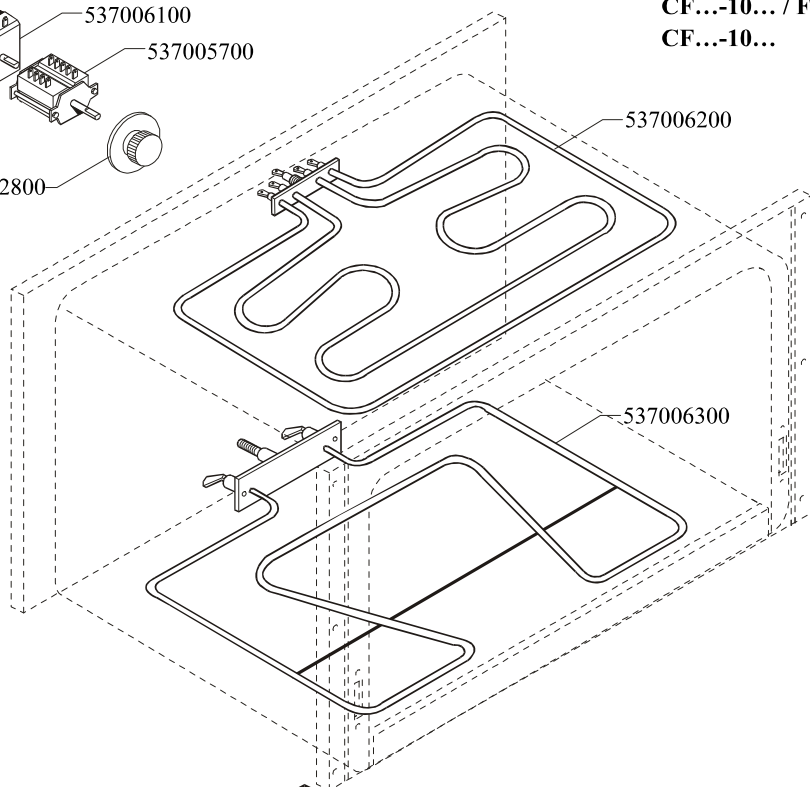
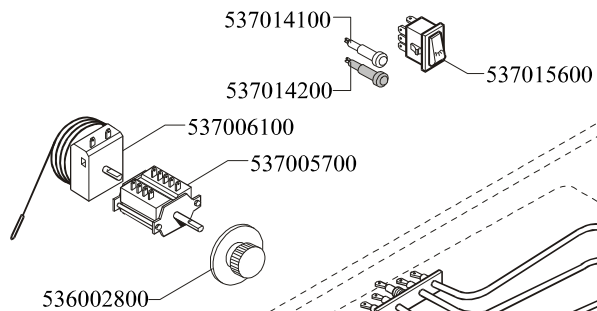


CF-8GEM CF-8GEM/A

	*	**
G30- 28+30mbar G31- 37mbar	533032100	533032200
G30- 50mbar	533049000	533032100
G20- 20mbar G25- 25mbar	533049100	533032300
G25- 20mbar	533032400	533012500
G25- 25mbar NL	533049200	533032500

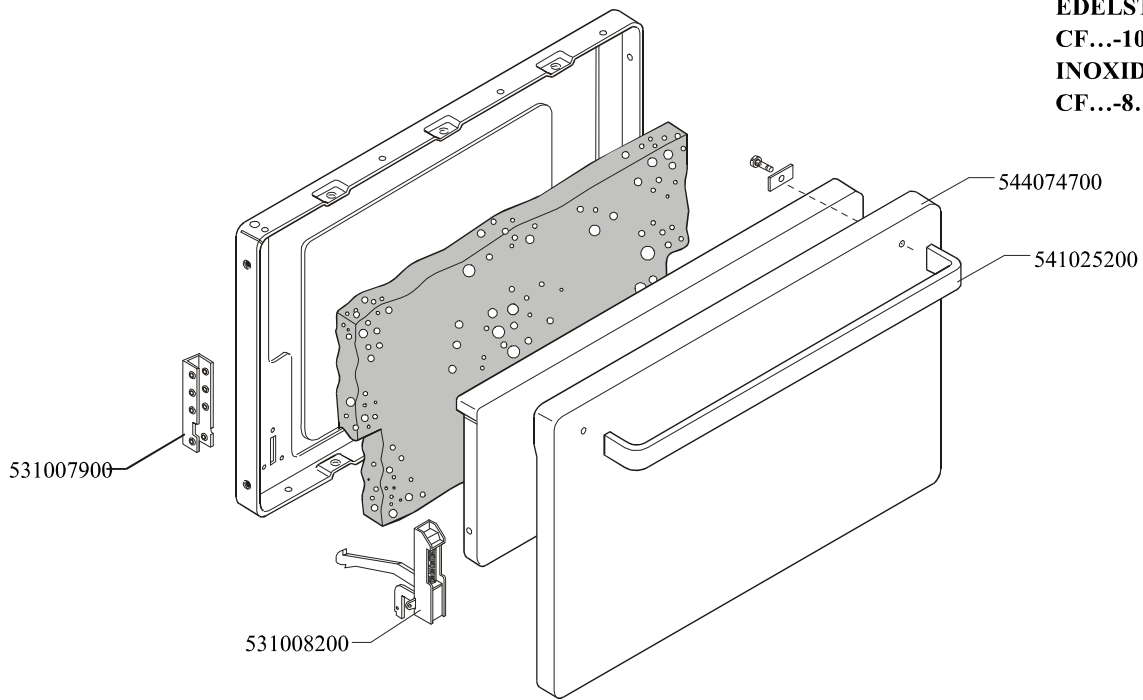


**FORNO STATICO ELETTRICO CF...-8... CF...-10... /
TRADITIONAL ELECTRIC OVEN CF...-8... CF...-10...
/ STATISCHER ELEKTRO-BACKOFEN CF...-8...
CF...-10... / FOUR ELECTRIQUE STATIQUE CF...-8...
CF...-10...**

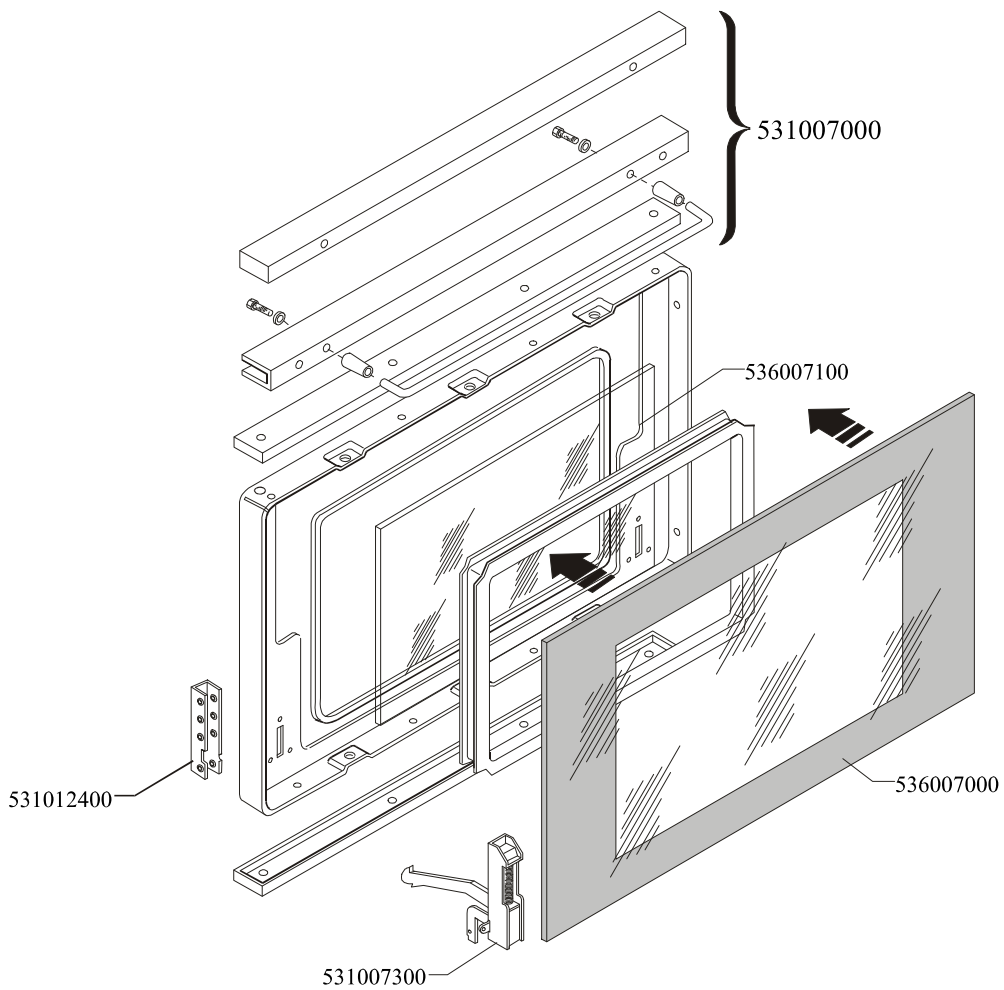


531012700

PORTE INOX/VETRO FORNO CF...-8...
CF...-10... / STAINLESS-STEEL/GLASS
DOORS OVEN CF...-8... CF...-10... /
EDELSTAHL/GLASTÜREN OFEN CF...-8...
CF...-10... / PORTES EN ACIER
INOXIDABLE/VITRES POUR FOUR
CF...-8... CF...-10...



531009600



Page	Pos	Code	Description
001		544044400	SIDE 800 RANGE
001		537007600	TERMINAL BLOCK SINGLEPHASE 40A
001		536012000	HEXAGONAL LOCK NUT PG-21
001		537014000	CABLE SECURING CLAMP PG-21
001		531008100	ADJUSTABLE LEG H9 CHROME
002		541026900	NEUTRAL SPACER 800
002		532001100	QUICK BURNER COVER IN CAST IRON
002		532000800	QUICK BURNER RING
002		532000500	QUICK BURNER SUPPORT 2HOLES
002		533018100	BRIDLE D.21
002		532001200	ULTRA-QUICK BURNER COVER IN CAST IR
002		532000900	ULTRA-QUICK BURNER RING
002		532000600	ULTRA-QUICK BURNER SUPPORT 2HOLES
002		544038800	2 BURNER DRIP PAN (QUICK+QUICK)
002		532002100	2 BURNERS GRID
002		544037800	2 BURNER DRIP PAN (QUICK+VERY QUICK
002		541012000	UPPER PLATE CF-8G
002		544044900	CONTROL PANEL CF-8GE
002		536002500	COCK KNOB
002		537015600	BIPOLAR SWITCH
002		537002700	PLUG WITH SPRING H57
002		533009800	BRASS NUT M8*1
002		533011100	THERMOCOUPLE 600 M8*1
002		A-547002500	HIGH-VOLT.WIRE 2,8X0,5 F2,8X0,8L600
002		B-547003400	HIGH-VOLTAGE CABLE L=900
002		532000200	QUICK BURNER VENTURI
002		537005600	6 FLAME IGNITION CONTROL BOX V230
002		532000300	ULTRA-QUICK BURNER VENTURI
002		532018100	
002		536000400	GASKET FOR COCK
002		531002300	TAP WITH VALVE BY PASS 485/042 CE
002		533068800	BY PASS COCK §42 PC/CF-60
002		533032100	NOZZLE §82 CH9*10 CE G-R
002		533032200	NOZZLE §96 CH9*10 CE G-UR
002		533049000	NOZZLE §72 CH9*10 F-R
002		533049100	NOZZLE §125 CH9*10 H-R
002		533032300	NOZZLE §142 G20
002		533032400	NOZZLE §135 CH9*10 L-R
002		533012500	NOZZLE §160 CH9*10 L-UR
002		533049200	NOZZLE §130 CH9*10 AARD.L-R
002		533032500	NOZZLE §150 CH9*10 AARD.L-UR
003		537014100	WHITE WARNING LIGHT 250V
003		537014200	GREEN WARNING LIGHT 250V
003		537015600	BIPOLAR SWITCH
003		537006100	OVEN THERMOSTAT CF-62/8/10
003		537005700	OVEN COMMUTATOR CF-8/10 EL.
003		536002800	ELECTRIC OVEN KNOB CF-8/10
003		537006200	UPPER OVEN HEATING EL.1000+2000W
003		537006300	LOWER OVEN HEATING EL.W1750 230CF8/
003		537005400	OVEN BULB 15W 300°C
003		537007900	OVEN BULB-SOCKET

Page	Pos	Code	Description
003		534009100	GRILL PROTECTION CF-8/10
003		536011300	OVEN GASKET CF-8/10
003		531006700	OVEN GRID FOR CF-8/10
003		534002200	OVEN DRIPPING-PAN CF-8/10
003		531013600	SIDE GRID FOR MAXI/VENTILATED OVEN
004		531012700	STAINLESS STEEL OVEN DOOR CF-8/10
004		531007900	STAINLESS STEEL DOOR WHEEL HOLDER
004		531008200	STAINLESS STEEL DOOR HINGE CF-8/10
004		544074700	STAINLESS STEEL OVEN DOOR PANEL
004		541025200	STAINLESS STEEL OVEN DOOR HANDLE
004		531009600	COMPLETE GLASS OVEN DOOR
004		531012400	GLASS DOOR WHEEL HOLDER CF-8/10
004		531007300	GLASS DOOR HINGE CF-8/10
004		536007100	INTERNAL GLASS OVEN DOOR CF-8/10
004		536007000	EXTERNAL GLASS OVEN DOOR CF8/10
004		531007000	OVEN GLASS DOOR HANDLE CF-8/10