



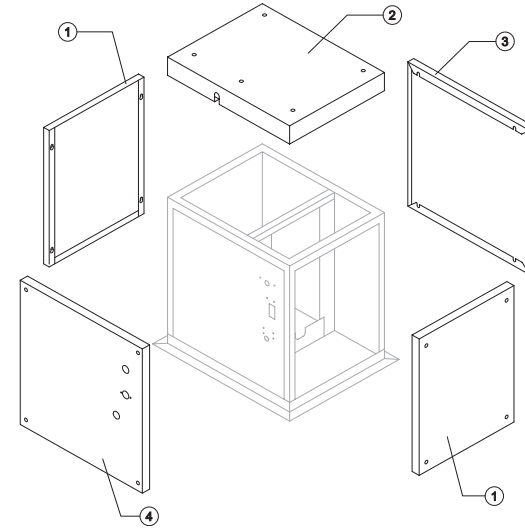
# MUSTER 800 SPLIT

# LIST OF THE EXPLODED VIEWS

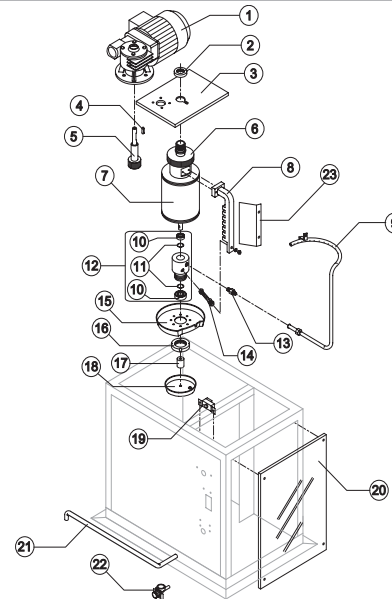


Rev. 4 - 20/10/2003

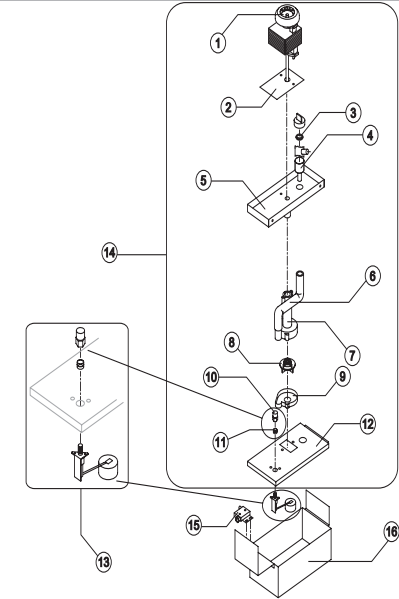
## SHELL ASSY



## EVAPORATOR



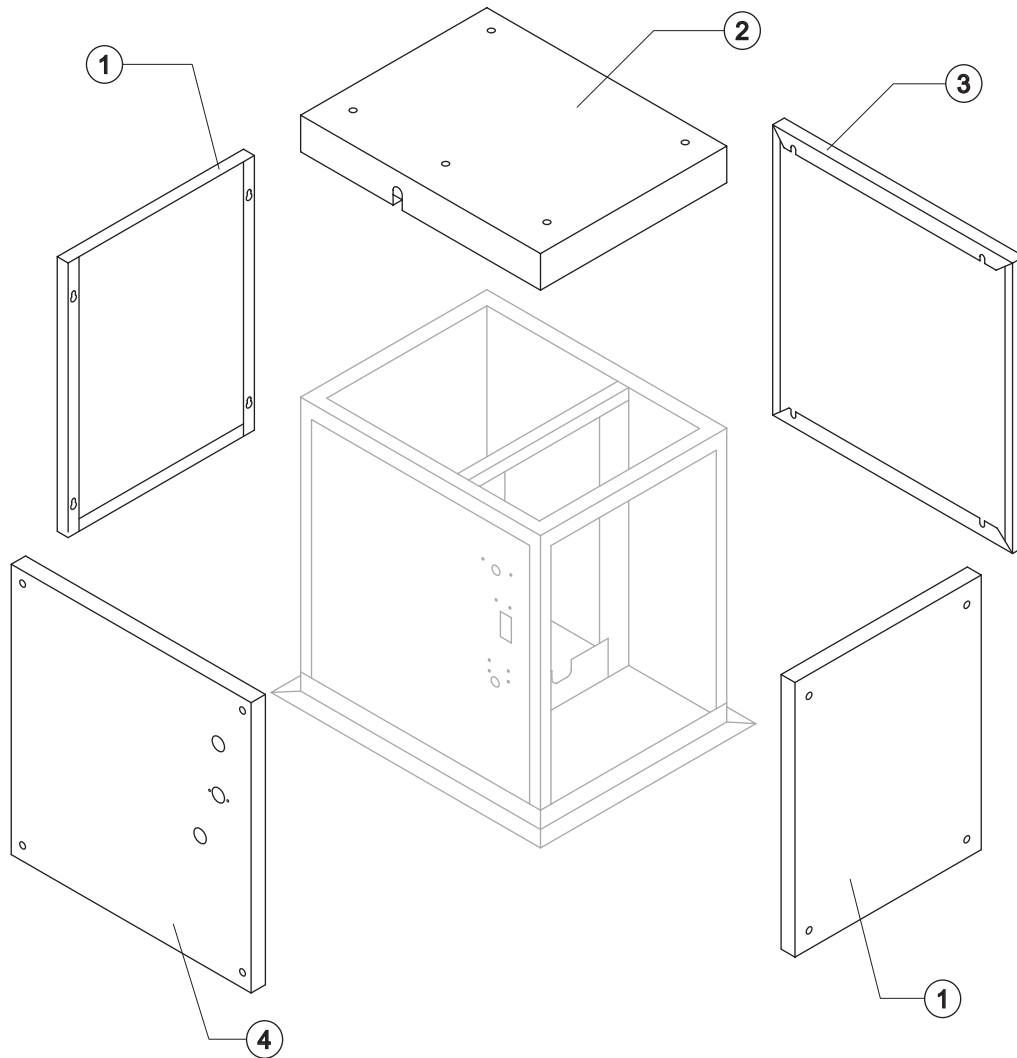
## PUMP





# MUSTER 800 SPLIT

## SHELL ASSY



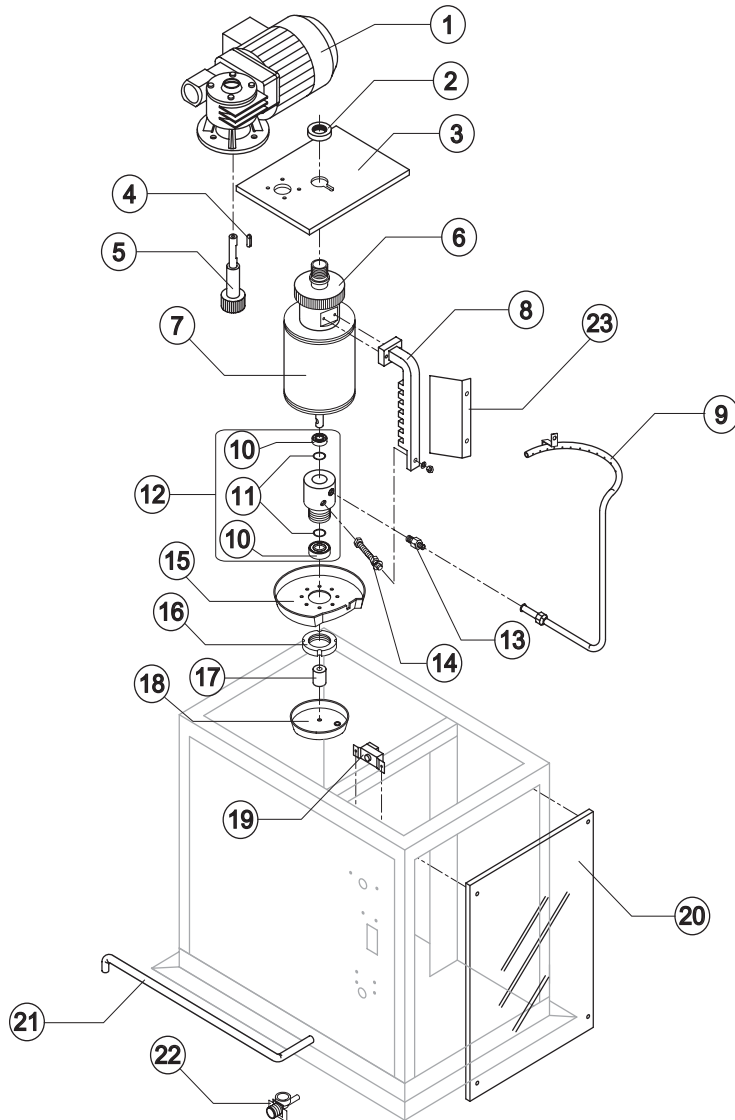
Ref.	Spare Description	Code
1	Front & Rear Panel	22474
2	Top Assembly	C22473
3	Right Side	22445
4	Left Side	22475

Rev. 4 - 20/10/2003



# MUSTER 800 SPLIT

# EVAPORATOR



## Common Parts

Ref.	Spare Description	Code
1	Gearmotor Assy	See Table
2	Cylinder Ring Nut	20365
3	Evaporator Support Plate	20372
4	Key 6x6x40	20350
5	Pinion with Shaft for Gearmotor	20344
6	Crown Gear	20363
7	Evaporator	See Note
8	Knife	E20358
9	Sprayer Ring	C20357
10	Inox Bearing	20045
11	Silicone OR 4081 Ring	20338
12	Complete Rotary Ring	C10193
13	Joint	20367
14	M10 Tie Rod (to Block Knife)	20369
15	Rotary Basin	10191
16	Ring Nut for Rotary Ring	10194
17	Spacer	20366
18	Fixed Basin	C10192
19	Bin Thermostat	23421
20	Screen Evaporator Chamber	10196
21	Overflow Pipe	13088
22	1 Way Inlet Water Nipple	10239
23	Baffle Plate	10420

## Ref. 1- Gearmotor Assy

Tension	Code
220/240V 50 Hz	C23412
220/230V 60 Hz	C23389

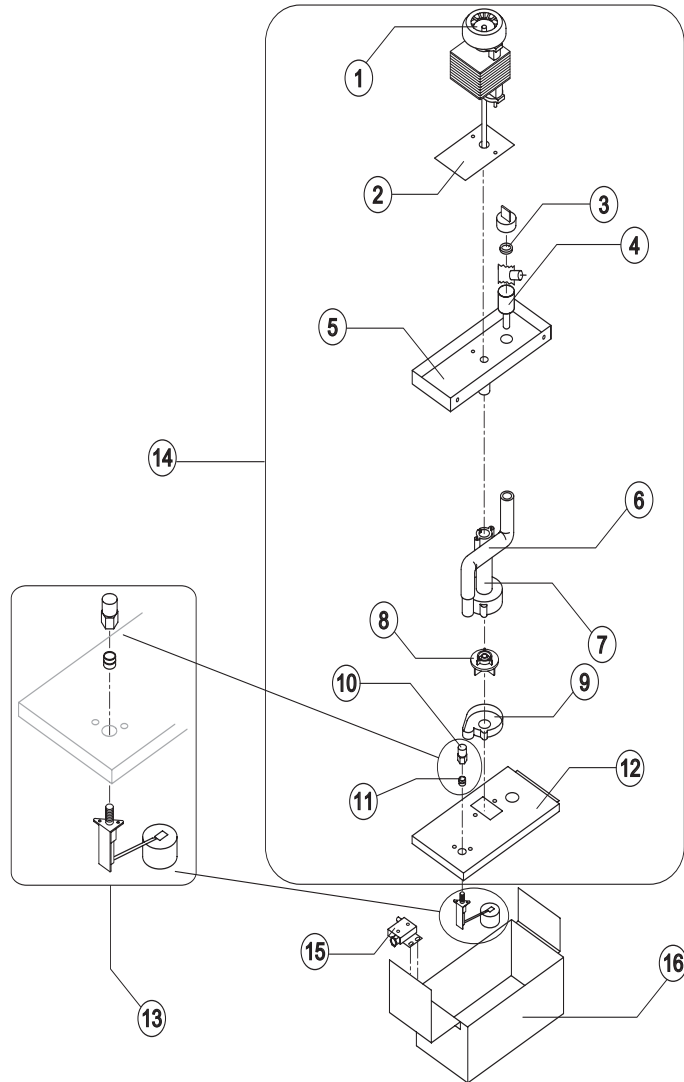


Ref. 7 - Evaporator (Cod. C11063) includes also the ref. 2 - 8 - 10 - 11 - 14 - 16 - 17



# MUSTER 800 SPLIT

# PUMP



### Common Parts

Ref.	Spare Description	Code
1	Pump Motor	See Table
2	Heat Dissipator	22430
3	Pump Filter Gasket	13080
4	Filtering Element	20254
5	Pump Motor Holder	10161
6	Pump-Filter Fitting Pipe	13084
7	Pump Body	10065
8	Pump Impeller	10138
9	Diffuser	10067
10	Nut	20404
11	Bush	20405
12	Water Pump Basin Cover	22420
13	Floating Valve	C10188
14	Pump and Filter Assy	See Table
15	Microswitch for Overflow Ice	23373
16	Water Pump Basin	C22443

### Ref. 1 - Pump Motor

Tension	Code
220-240V 50 Hz	23073
220-230V 60 Hz	23187

### Ref. 14 - Pump and Filter Assy

Tension	Code
220-240V 50 Hz	C26557
220-230V 60 Hz	C26712