

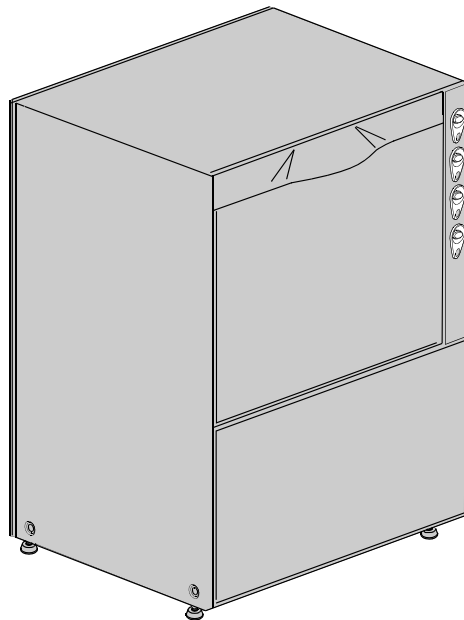
DISHWASHER

ELECTROMECHANICAL SWITCHES
LOWER AND UPPER WASHING

TYPE: 7U

Accessories
BREAK TANK
BOOSTER PUMP
DVGW
COLD RINSE
WATER SOFTNER
DETERGENT DISPENSER
DRAIN PUMP

Spare Parts Manual



INFORMAZIONI GENERALI

Questo catalogo serve per richiedere con esattezza le parti di ricambio

Nelle ordinazioni indicare:

1) il numero dei codici dei particolari seguito dalla descrizione e la quantità desiderata;

2) Il codice alfa-numerico presente nella seconda colonna della tabella ;

I disegni delle parti di ricambio sono solo indicativi e non rappresentano il pezzo in oggetto.

I dati contenuti in questo catalogo sono indicativi e possono essere soggetti a modifiche senza impegno di preavviso.

ALLGEMEINE INFORMATIONEN

Dieser Ersatzteilkatalog dient zur genauen Angabe der Teile bei Ersatzteilbestellungen.

Bei Ersatzbestellung ist folgendes anzugeben:

1) Die Bestellnummer der Ersatzteile mit der entsprechenden Beschreibung genaue Menge;

2) Der alpha-numerischer Code auf der zweiten Reihe in dein Spclud;

Die Zeichnungen der Ersatzteile sind nur als Hinweise gedacht und stellen nicht das betroffene Teil dar.

Bei den im Katalog angeführten Daten handelt es sich um Anhaltsdaten, die jederzeit, ohne Vorankündigung, geändert werden können.

GENERAL INFORMATION

The present spare parts order exactly the right spare parts

When ordering specify:

1) the part's code number followed by its description and quantity needed;

2) The alpha-numeric code is in the second column in the chart;

Spare parts drawings are general and do not represent the part.

The contents of this catalogue are general and can undergo changes without prior notice.

INFORMACIONES GENERALES

El presente catálogo sirve para pedir con exactitud las partes de repuesto

En los pedidos se debe indicar:

1) el número de código de la parte y a continuación la descripción cantidad deseada;

2) El código alfanumerico presente en la segnada columna de la tabla;

Los diseños de las partes de recambio son solo indicativos y no representan la pieza en cuestión.

Los datos contenidos en el presente catálogo son indicativos y pueden modificarse sin aviso previo.

INFORMATIONS GENERALES

Ce catalogue permet de commander correctement les pièces détachées

Les commandes doivent être passées en indiquant:

1) le numero de code des pièces détachées suivi de leur description quantité désirée;

2) le code alphanumérique dans la deuxième colonne du tableau;

Les plans des pièces détachées sont fournis seulement à titre indicatif et ne représentent pas la pièce concernée.

Les données de ce catalogue sont citées seulement à titre indicatif et peuvent être l'objet de modifications sans avis préalable.

ESEMPIO
EXAMPLE
EXEMPLE
BEISPIEL

Rif.	Codici
MODULE:Particolari	
10505	540903
10510	540908
10515	15065/A
10520	540086
10525	540028

Note

Tutte le informazioni riportate si intendono aggiornate alla data di stampa. Il Produttore si riserva il diritto di apportare qualsiasi modifica richiesta dallo sviluppo evolutivo dei suddetti prodotti.

Per la sicurezza, la garanzia, l'affidabilità ed il valore della lavastoviglie usa solo ricambi originali. **Per alcuni codici, sono richieste quantità minime d'ordine.**

Attenzione

Questo libretto è parte integrante della lavastoviglie e, in caso di passaggio di proprietà, deve essere consegnato al nuovo acquirente.

Remarque

Toutes les informations contenues dans ce manuel s'entendent mises à jour à la date d'impression. En raison du développement constant de ses produits, usine se réserve le droit d'apporter à tout instant les modifications qu'elle jugera utiles.

Pour la sécurité, la garantie, la fiabilité et la valeur de votre lavevaisselles n'utilisez que des pièces de rechange d'origine. **Pour quelque référence on demande un minimum de pièces par commande**

Attention

Ce manuel doit être considéré comme partie intégrante de la la lavevaisselles, en cas de transfert de propriété, doit toujours être remis au nouveau propriétaire.

Note

The information contained herein is valid at the time of going to print. The Company reserves the right to make any changes required by the future development of the above-mentioned products.

For your safety, as well as to preserve the warranty reliability and worth of your dishwashers, use original spare parts only. **For some codes a minimum quantity for order is required.**

Warning

This manual forms an integral part of the dishwashers and - if a transfer of title occurs - must always be handed over to the new owner.

Hinweis

Die Der Hersteller behält sich das Recht vor, jegliche, durch eine Weiterentwicklung der genannten Produkte bedingte Änderungen vornehmen zu können.

Verwenden Sie für Ihre Sicherheit, die Garantie, die Zuverlässigkeit und den Wert Ihrer machine originale Ersatzteile. **Für bestimmte Code nummer werden mindesten bestellungen verlangt.**

Achtung

Diese Betriebsanleitung ist Bestandteile des machine und muss bei seinem Weiterverkauf dem neuen Besitzer ausgehändigt werden.



Code 999XYYYY **CL/Part**

Model DESCRIPTION

S/N 04012345 **Type**

400VAC3N 50HZ 8A
3500W 500W

IPX3  16A

Pressione Dinamica alimentazione idrica **200-500**

Pression dynamique arrivee d'eau

Dynamic pressure water supply

Dynamischer Druck asserreinlauf

Pressione dinamica vapore saturo

Pression dynamique vapeur satueeè

Dymanischer Druck gesattigter Dampf

Pression Dinamica Vapor Saturado

TECHICAL SPECIFICATION

MADE IN ITALY

Temperatura massima acqua in ingresso **60°C**

Temperature max eau a l'entre

Maximale Temperatur Wasseranschlu

Maximum Water temperature in-feeding

Model 

S/N 

CODE 999 XX YYYY

FAMIGLIA PRODOTTO
 FAMILY PRODUCT
 FAMILLE DU PRODUIT
 FAMILIA PRODUCTO
 FAMILIE DES PRODUKTES

CODICE MODELLO
 CODE MODEL
 CODE ARTICLE
 CODIGO MODELO
 KODE VON MODELL

S/N 04 012345

ANNO
 YEAR
 ANNÉE
 AN^o
 JAHR

NUMERO DI SERIE
 SERIAL NUMBER
 NUMÉRO DI SÉRIE
 NUMERO DI SERIE
 SERIENNUMMER

1. Spare parts

General body parts.....	7
General body parts.....	11
Lockup system	15
Control panel and switches.....	17
Electric control components.....	19
Solenoid valve group	21
Solenoid valve group	23
Solenoid valve group	25
Break Tank	27
Break Tank	29
Booster pump.....	31
DVGW	33
Water softner group.....	35
Rinse aid dispenser group.....	37
Boiler group	39
3 ways connection	41

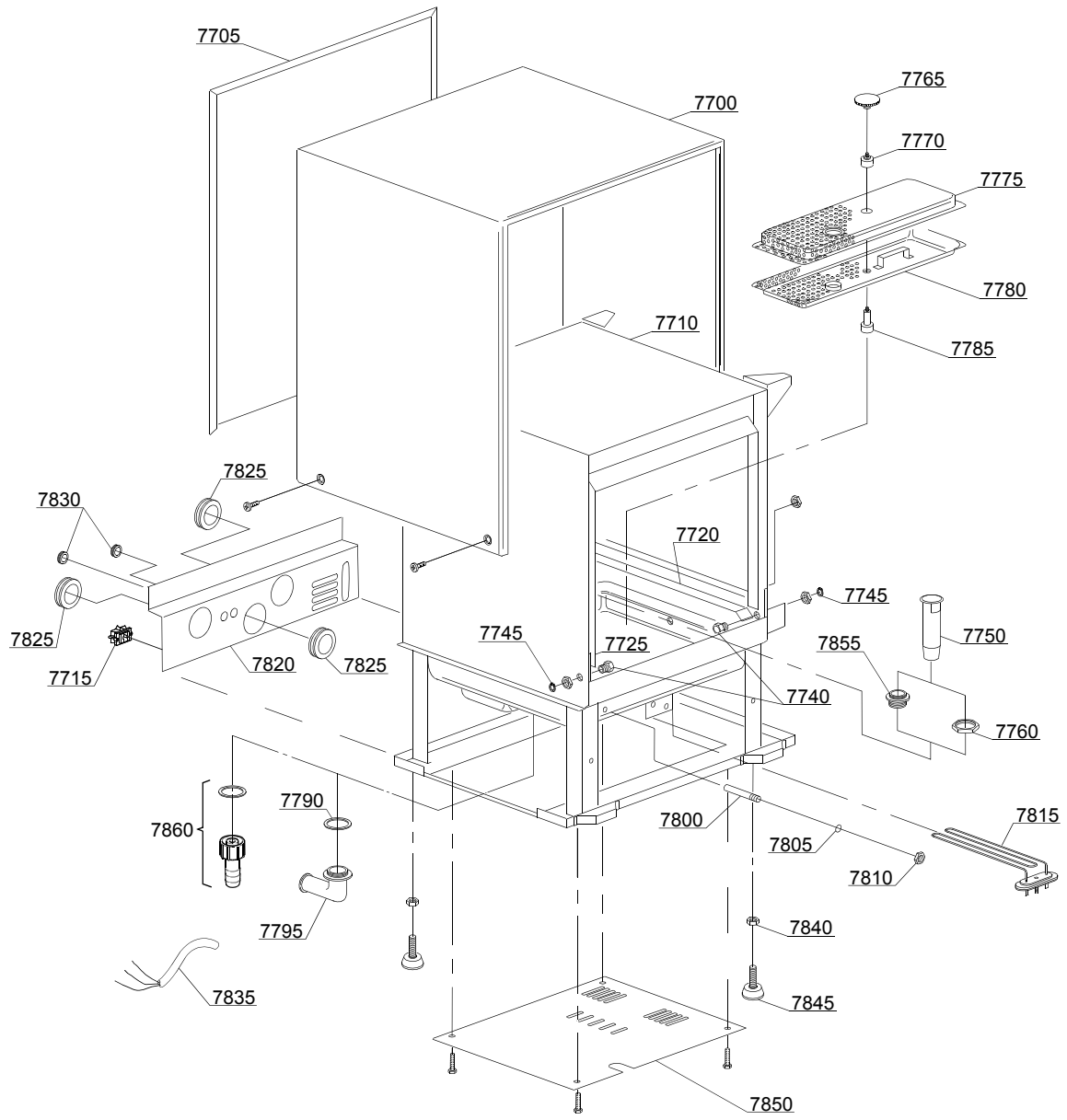
Connection group	43
Connection group	45
Wash pump	47
Dosing detergent group.....	49
Dosing detergent group.....	51
Drain pump group.....	53
Pressure switch group with air trap ...	55
Turret group with rotating arms	57
Turret group with rotating arms	61

1.1 Voltage codes

Volt	Voltage code
A	3/N/PE~380-400V 50-60Hz
D	3/PE~200-210V 50-60Hz
F	2/PE~220-240V 50-60Hz
G	3/N/PE~415V 50-60Hz
H	3/PE~220-230V 50-60Hz
K	3/PE~380-400V 50-60Hz
L	3/PE~415V 50-60Hz
M	3/PE~440V 60Hz
P	1/N/PE~220-230V 50-60Hz
R	2/PE~220-240V 50-60Hz
U	1/N/PE~240V 50-60Hz
V	3/PE~240V 50-60Hz
W	1/N/PE~100-110V 50-60Hz

1.2 Product codes

Product code	Full name
Model codes	
em	ELECTROMECHANICAL SWITCHES
uw	LOWER AND UPPER WASHING
Type codes	
7U	7U
Accessory codes	
bt	BREAK TANK
bp	BOOSTER PUMP
dvgw	DVGW
fs	COLD RINSE
ws	WATER SOFTNER
dd	DETERGENT DISPENSER
dp	DRAIN PUMP



01_010_e

Spare parts

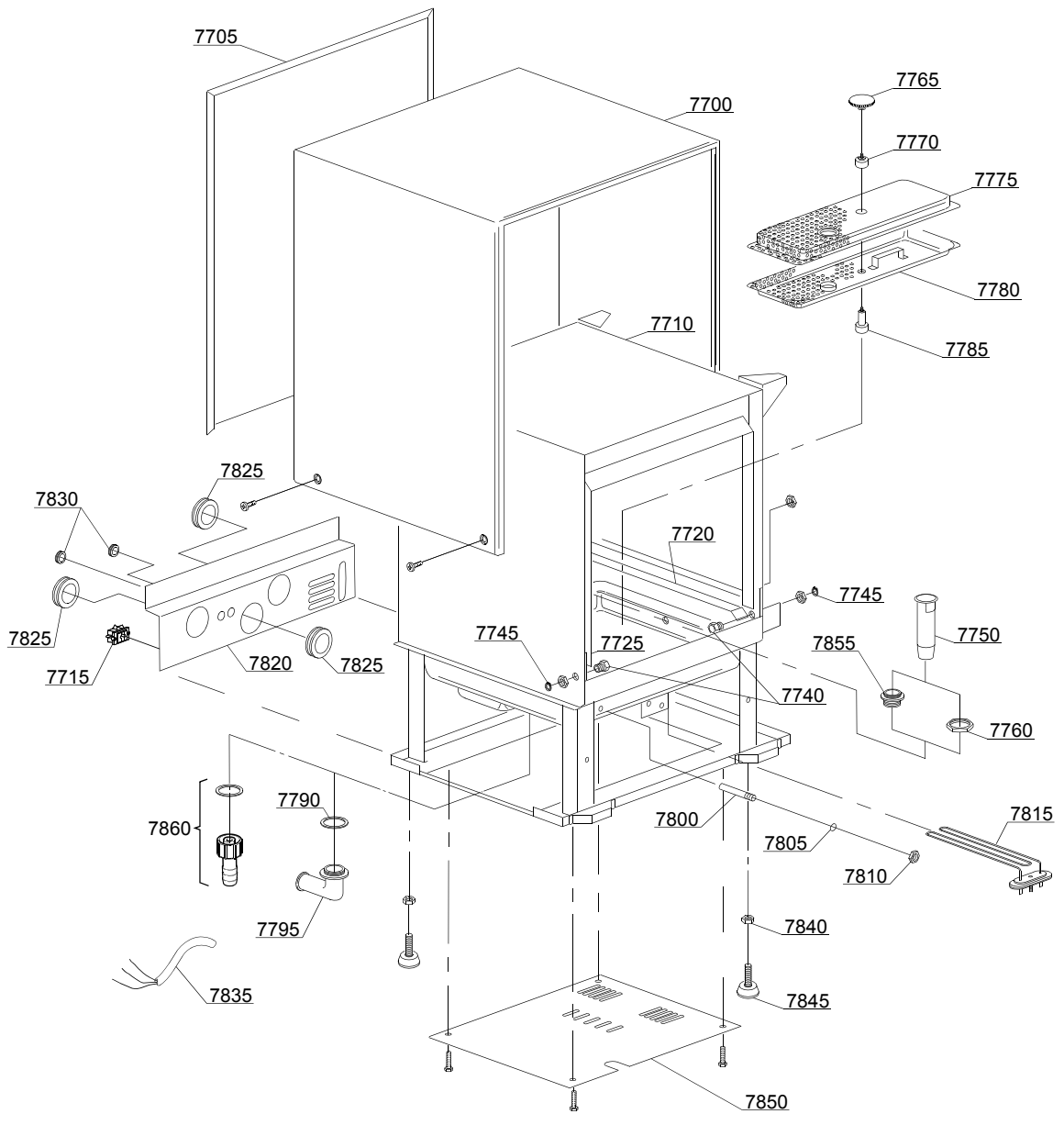
ID	P-code	SN from	SN to	Mod.	Acces.	Volt	Description
Module:General body parts							
7700	26024		-				Cover
7705	26110		-				Back panel
7710	26915		-				Body
7710	26914		-		ws		Body
7715	15065/A		-				Cable-fastener with screw
7720	26015		-				Right internal slide
7725	26016		-				Left internal slide
7740	11835		-				Brass bush with nut
7745	11815		-				Ø8 stainless steel snap ring (minimum 5 pieces)
7750	15126		-				Overflow pipe
7750	150320		-		dp		Overflow pipe
7760	11701/A		-				Stainless steel nut
7765	15209/A		-		dp		Ring nut for filter fixing
7775	15932		-				Top filter assembly
7785	15105		-				Compleat steel lock-filter
7790	13305		-				44x32x3 O-ring (minimum 5 pieces)
7795	10701		-				Drain elbow
7800	12510		-				Thermostat feeler-holder
7805	13309		-				10x14x1,5 O-ring (minimum 20 pieces)
7810	11714		-				M10x1 stainless steel nut for thermostat feeler-holder
7815	16035/A		-				1,85/2,02KW 230/240V heating element
7820	26112		-				End piece protection
7825	13317		-				Ø40mm lead through rubber (minimum 2 pieces)
7830	13323		-				Ø13mm lead through rubber (minimum 2 pieces)
7835	15118		-				5x2,5x2500 cable
7835	15145		-				4x4x2500 cable
7835	10713		-				3x2,5x2500 cable
7840	11711		-				M10 zinc plated nut (minimum 20 pieces)

em=ELECTROMECHANICAL SWITCHES, uw=LOWER AND UPPER WASHING

7U=7U

bt=BREAK TANK, bp=BOOSTER PUMP, dvgw=DVGW, fs=COLD RINSE, ws=WATER SOFTNER, dd=DETERGENT DISPENSER, dp=DRAIN PUMP

A=3/N/PE~380-400V 50-60Hz, D=3/PE~200-210V 50-60Hz, F=2/PE~220-240V 50-60Hz, G=3/N/PE~415V 50-60Hz, H=3/PE~220-230V 50-60Hz, K=3/PE~380-400V 50-60Hz, L=3/PE~415V 50-60Hz, M=3/PE~440V 60Hz, P=1/N/PE~220-230V 50-60Hz, R=2/PE~220-240V 50-60Hz,



01_010_e

Spare parts

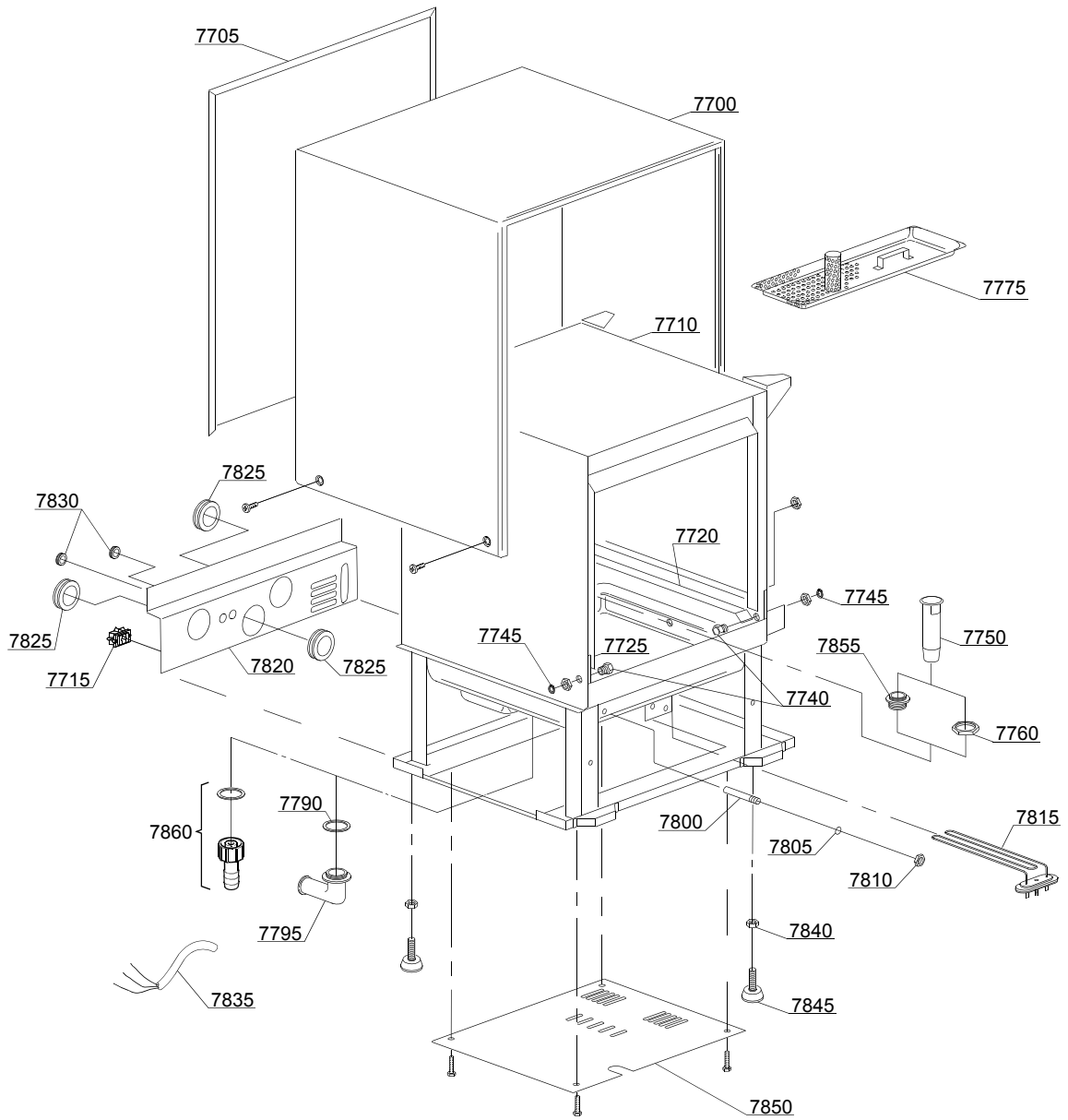
ID	P-code	SN from	SN to	Mod.	Acces.	Volt	Description
Module:General body parts							
7845	10786		-				M10x25 Ø40 black foot (minimum 4 pieces)
7850	26111		-				End piece protection
7855	15063		-		dp		Steel floor drain
7860	15613/A		-		dp		Straight hold rubber

em=ELECTROMECHANICAL SWITCHES, uw=LOWER AND UPPER WASHING

7U=7U

bt=BREAK TANK, bp=BOOSTER PUMP, dvgw=DVGW, fs=COLD RINSE, ws=WATER SOFTNER, dd=DETERGENT DISPENSER, dp=DRAIN PUMP

A=3/N/PE~380-400V 50-60Hz, D=3/PE~200-210V 50-60Hz, F=2/PE~220-240V 50-60Hz, G=3/N/PE~415V 50-60Hz, H=3/PE~220-230V 50-60Hz, K=3/PE~380-400V 50-60Hz, L=3/PE~415V 50-60Hz, M=3/PE~440V 60Hz, P=1/N/PE~220-230V 50-60Hz, R=2/PE~220-240V 50-60Hz,



01_036_e

Spare parts

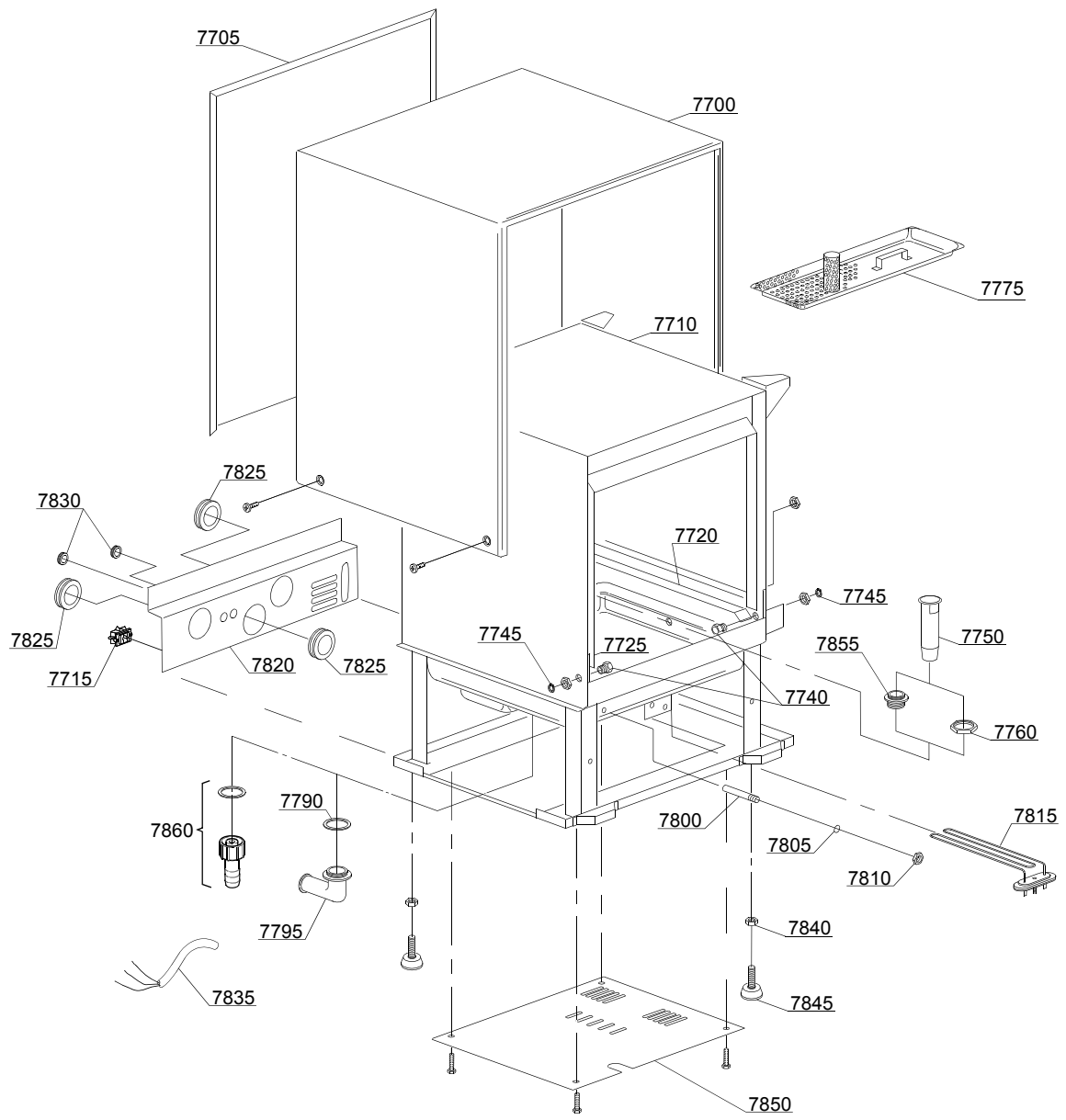
ID	P-code	SN from	SN to	Mod.	Acces.	Volt	Description
Module:General body parts							
7700	26024		-				Cover
7705	26110		-				Back panel
7710	26915		-				Body
7710	26914		-		ws		Body
7715	15065/A		-				Cable-fastener with screw
7720	26015		-				Right internal slide
7725	26016		-				Left internal slide
7740	11835		-				Brass bush with nut
7745	11815		-				Ø8 stainless steel snap ring (minimum 5 pieces)
7750	15126		-				Overflow pipe
7750	150320		-		dp		Overflow pipe
7760	11701/A		-				Stainless steel nut
7775	26970		-				Filter
7790	13305		-				44x32x3 O-ring (minimum 5 pieces)
7795	10701		-				Drain elbow
7800	12510		-				Thermostat feeler-holder
7805	13309		-				10x14x1,5 O-ring (minimum 20 pieces)
7810	11714		-				M10x1 stainless steel nut for thermostat feeler-holder
7815	16035/A		-				1,85/2,02KW 230/240V heating element
7820	26112		-				End piece protection
7825	13317		-				Ø40mm lead through rubber (minimum 2 pieces)
7830	13323		-				Ø13mm lead through rubber (minimum 2 pieces)
7835	15118		-				5x2,5x2500 cable
7835	15145		-				4x4x2500 cable
7835	10713		-				3x2,5x2500 cable
7840	11711		-				M10 zinc plated nut (minimum 20 pieces)
7845	10786		-				M10x25 Ø40 black foot (minimum 4 pieces)
7850	26111		-				End piece protection

em=ELECTROMECHANICAL SWITCHES, uw=LOWER AND UPPER WASHING

7U=7U

bt=BREAK TANK, bp=BOOSTER PUMP, dvgw=DVGW, fs=COLD RINSE, ws=WATER SOFTNER, dd=DETERGENT DISPENSER, dp=DRAIN PUMP

A=3/N/PE~380-400V 50-60Hz, D=3/PE~200-210V 50-60Hz, F=2/PE~220-240V 50-60Hz, G=3/N/PE~415V 50-60Hz, H=3/PE~220-230V 50-60Hz, K=3/PE~380-400V 50-60Hz, L=3/PE~415V 50-60Hz, M=3/PE~440V 60Hz, P=1/N/PE~220-230V 50-60Hz, R=2/PE~220-240V 50-60Hz,



01_036_e

Spare parts

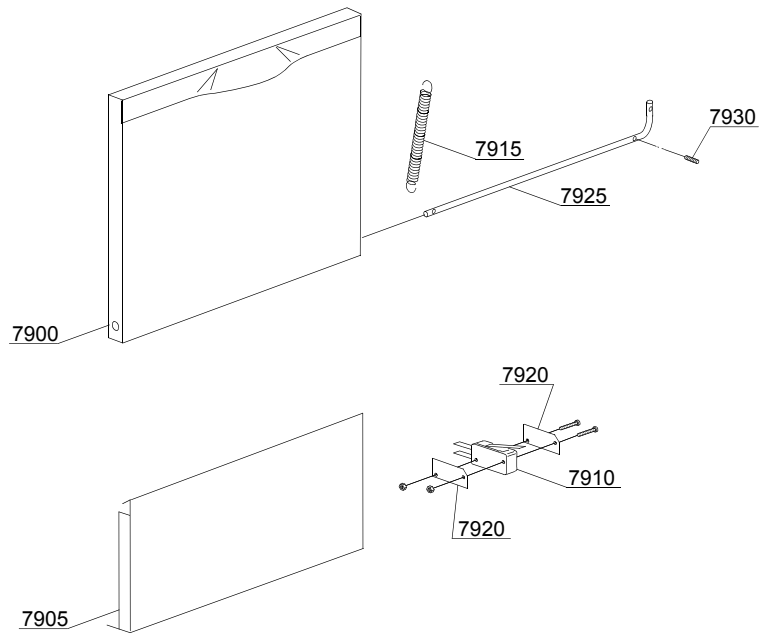
ID	P-code	SN from	SN to	Mod.	Acces.	Volt	Description
Module:General body parts							
7855	15063		-		dp		Steel floor drain
7860	15613/A		-		dp		Straight hold rubber

em=ELECTROMECHANICAL SWITCHES, uw=LOWER AND UPPER WASHING

7U=7U

bt=BREAK TANK, bp=BOOSTER PUMP, dvgw=DVGW, fs=COLD RINSE, ws=WATER SOFTNER, dd=DETERGENT DISPENSER, dp=DRAIN PUMP

A=3/N/PE~380-400V 50-60Hz, D=3/PE~200-210V 50-60Hz, F=2/PE~220-240V 50-60Hz, G=3/N/PE~415V 50-60Hz, H=3/PE~220-230V 50-60Hz, K=3/PE~380-400V 50-60Hz, L=3/PE~415V 50-60Hz, M=3/PE~440V 60Hz, P=1/N/PE~220-230V 50-60Hz, R=2/PE~220-240V 50-60Hz,



02_107_e

Spare parts

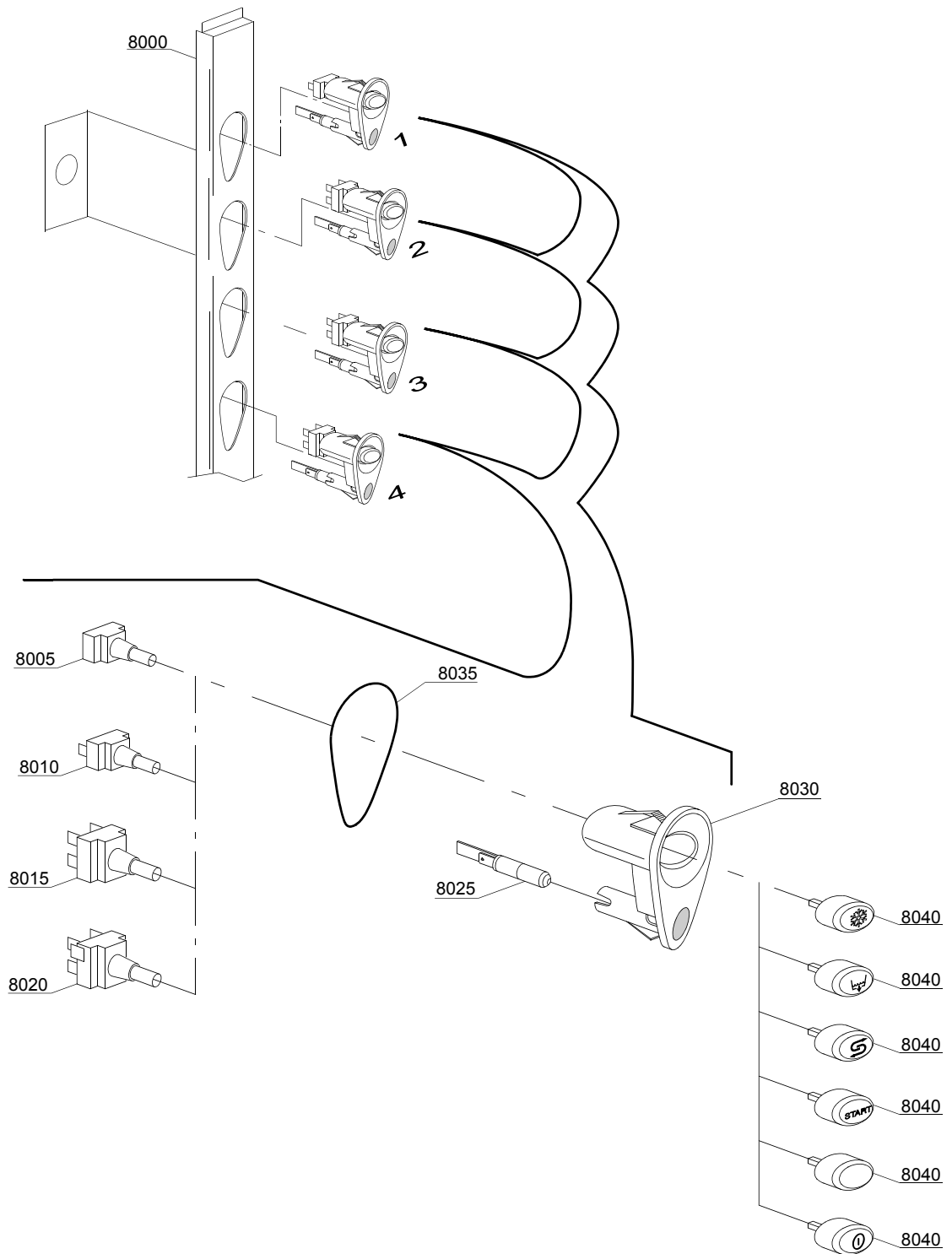
ID	P-code	SN from	SN to	Mod.	Acces.	Volt	Description
Module: Lockup system							
7900	26964		-				Door with steel handle
7905	26025		-				Lower door
7910	10704		-				Door microswitch
7915	10700/A		-				Spring
7920	10770		-				Insulation for door microswitch (minimum 3 pieces)
7925	26009		-				Door rod
7930	11501		-				M5x20 grub-screw (minimum 2 pieces)

em=ELECTROMECHANICAL SWITCHES, uw=LOWER AND UPPER WASHING

7U=7U

bt=BREAK TANK, bp=BOOSTER PUMP, dvgw=DVGW, fs=COLD RINSE, ws=WATER SOFTNER, dd=DETERGENT DISPENSER, dp=DRAIN PUMP

A=3/N/PE~380-400V 50-60Hz, D=3/PE~200-210V 50-60Hz, F=2/PE~220-240V 50-60Hz, G=3/N/PE~415V 50-60Hz, H=3/PE~220-230V 50-60Hz, K=3/PE~380-400V 50-60Hz, L=3/PE~415V 50-60Hz, M=3/PE~440V 60Hz, P=1/N/PE~220-230V 50-60Hz, R=2/PE~220-240V 50-60Hz,



03_015_e

Spare parts

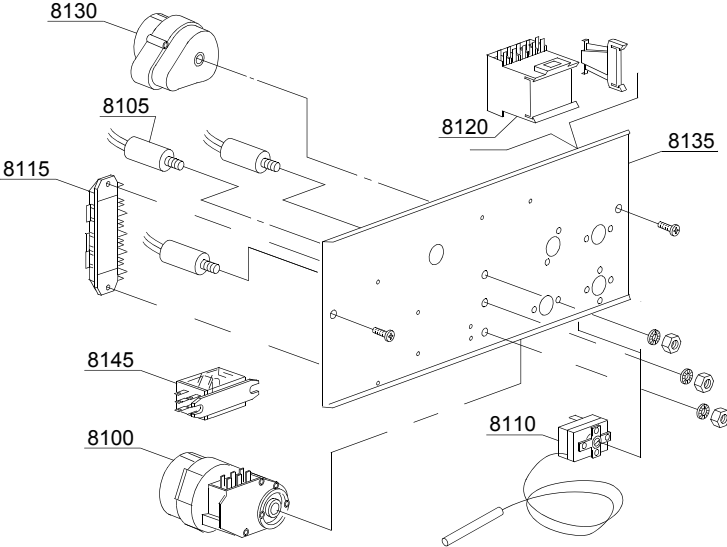
ID	P-code	SN from	SN to	Mod.	Acces.	Volt	Description
Module:Control panel and switches							
8000	26963		-	em			Gastro 450 control panel
8005	15844		-	em			Push button support
8010	15813		-	em			16A unipolar switch
8015	15812		-	em			16A switch
8025	15826		-	em			Pilot light
8030	89300		-	em			Push button support
8035	89332		-	em			OR O-ring (minimum 10 pieces)
8040	89341		-	em			Start push button
8040	89348		-	em			Blind push button
8040	89340		-	em			ON-OFF push button
8040	89345		-	em	ws		Regeneration push button

em=ELECTROMECHANICAL SWITCHES, uw=LOWER AND UPPER WASHING

7U=7U

bt=BREAK TANK, bp=BOOSTER PUMP, dvgw=DVGW, fs=COLD RINSE, ws=WATER SOFTNER, dd=DETERGENT DISPENSER, dp=DRAIN PUMP

A=3/N/PE~380-400V 50-60Hz, D=3/PE~200-210V 50-60Hz, F=2/PE~220-240V 50-60Hz, G=3/N/PE~415V 50-60Hz, H=3/PE~220-230V 50-60Hz, K=3/PE~380-400V 50-60Hz, L=3/PE~415V 50-60Hz, M=3/PE~440V 60Hz, P=1/N/PE~220-230V 50-60Hz, R=2/PE~220-240V 50-60Hz,



04_009_e

Spare parts

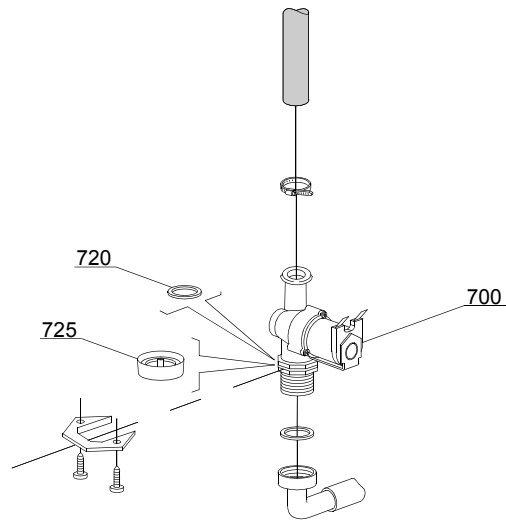
ID	P-code	SN from	SN to	Mod.	Acces.	Volt	Description
Module:Electric control components							
8100	10708/L		-			A	120" timer
8100	10708/B		-				120" timer - 220Vac 60Hz
8100	10708/T		-				120" timer with thermostop
8105	15149		-				Low noise filter
8110	10707/1		-				0-90°C thermostat
8115	500551		-				6 poles terminal board
8115	500550		-				3 poles terminal board
8120	15086		-				Contactora 230V 50/60Hz 4C
8120	15086/B		-				Contactora 240V 50Hz
8130	16064/A		-		ws		Regeneration timer
8135	26115		-				Electric components panel
8145	15620		-				Bipolar relay in deviation

em=ELECTROMECHANICAL SWITCHES, uw=LOWER AND UPPER WASHING

7U=7U

bt=BREAK TANK, bp=BOOSTER PUMP, dvgw=DVGW, fs=COLD RINSE, ws=WATER SOFTNER, dd=DETERGENT DISPENSER, dp=DRAIN PUMP

A=3/N/PE~380-400V 50-60Hz, D=3/PE~200-210V 50-60Hz, F=2/PE~220-240V 50-60Hz, G=3/N/PE~415V 50-60Hz, H=3/PE~220-230V 50-60Hz, K=3/PE~380-400V 50-60Hz, L=3/PE~415V 50-60Hz, M=3/PE~440V 60Hz, P=1/N/PE~220-230V 50-60Hz, R=2/PE~220-240V 50-60Hz,



05_002_e

Spare parts

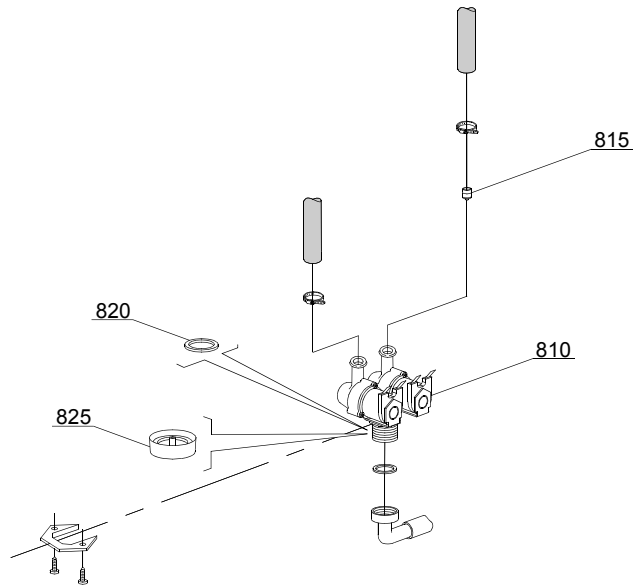
ID	P-code	SN from	SN to	Mod.	Acces.	Volt	Description
Module:Solenoid valve group							
700	10703		-	em			Single solenoid valve
720	N.C.		-	em			Pression reducing valve

em=ELECTROMECHANICAL SWITCHES, uw=LOWER AND UPPER WASHING

7U=7U

bt=BREAK TANK, bp=BOOSTER PUMP, dvgw=DVGW, fs=COLD RINSE, ws=WATER SOFTNER, dd=DETERGENT DISPENSER, dp=DRAIN PUMP

A=3/N/PE~380-400V 50-60Hz, D=3/PE~200-210V 50-60Hz, F=2/PE~220-240V 50-60Hz, G=3/N/PE~415V 50-60Hz, H=3/PE~220-230V 50-60Hz, K=3/PE~380-400V 50-60Hz, L=3/PE~415V 50-60Hz, M=3/PE~440V 60Hz, P=1/N/PE~220-230V 50-60Hz, R=2/PE~220-240V 50-60Hz,



05_003_e

Spare parts

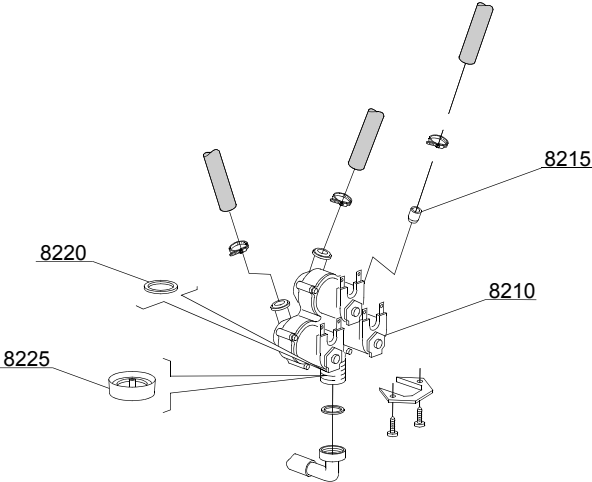
ID	P-code	SN from	SN to	Mod.	Acces.	Volt	Description
Module:Solenoid valve group							
810	15098		-	em	ws		Double solenoid valve - Ø10
820	N.C.		-	em	ws		Pression reducing valve

em=ELECTROMECHANICAL SWITCHES, uw=LOWER AND UPPER WASHING

7U=7U

bt=BREAK TANK, bp=BOOSTER PUMP, dvgw=DVGW, fs=COLD RINSE, ws=WATER SOFTNER, dd=DETERGENT DISPENSER, dp=DRAIN PUMP

A=3/N/PE~380-400V 50-60Hz, D=3/PE~200-210V 50-60Hz, F=2/PE~220-240V 50-60Hz, G=3/N/PE~415V 50-60Hz, H=3/PE~220-230V 50-60Hz, K=3/PE~380-400V 50-60Hz, L=3/PE~415V 50-60Hz, M=3/PE~440V 60Hz, P=1/N/PE~220-230V 50-60Hz, R=2/PE~220-240V 50-60Hz,



05_004_e

Spare parts

ID	P-code	SN from	SN to	Mod.	Acces.	Volt	Description
Module:Solenoid valve group							
8210	15099		-		ws		Triple solenoid valve
8215	15115		-		ws		Green pression solenoid valve (minimum 2 pieces)
8220	N.C.		-		ws		Pression reducing valve

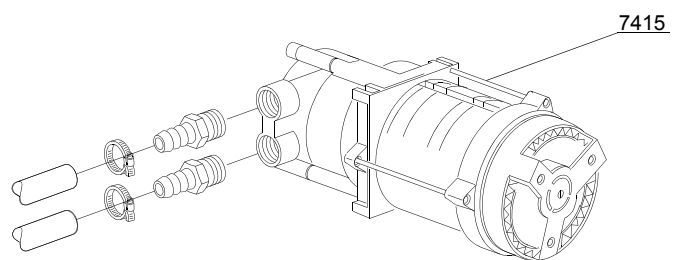
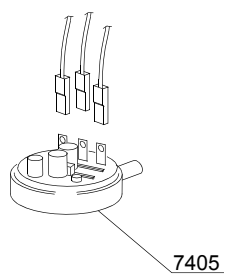
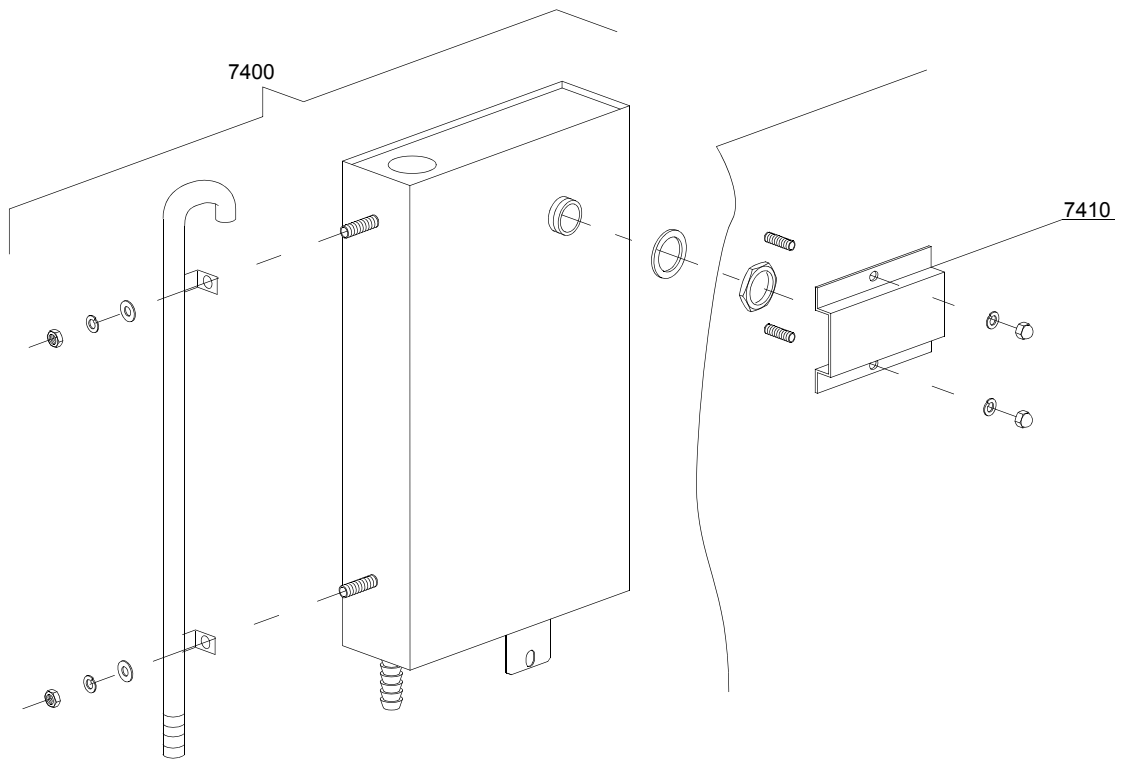
em=ELECTROMECHANICAL SWITCHES, uw=LOWER AND UPPER WASHING

7U=7U

bt=BREAK TANK, bp=BOOSTER PUMP, dvgw=DVGW, fs=COLD RINSE, ws=WATER SOFTNER, dd=DETERGENT DISPENSER, dp=DRAIN PUMP

A=3/N/PE~380-400V 50-60Hz, D=3/PE~200-210V 50-60Hz, F=2/PE~220-240V 50-60Hz, G=3/N/PE~415V 50-60Hz, H=3/PE~220-230V 50-60Hz, K=3/PE~380-400V 50-60Hz, L=3/PE~415V 50-60Hz, M=3/PE~440V 60Hz, P=1/N/PE~220-230V 50-60Hz, R=2/PE~220-240V 50-60Hz,

06_002_e



Spare parts

ID	P-code	SN from	SN to	Mod.	Acces.	Volt	Description
Module:Break Tank							
7400	15735		-		bt		Break tank assembly
7405	10706/A		-		bt		47-27 pressure switch
7410	15738		-		bt		Overflow cover
7415	15100/D		-		bt		Booster pump 220-240/50

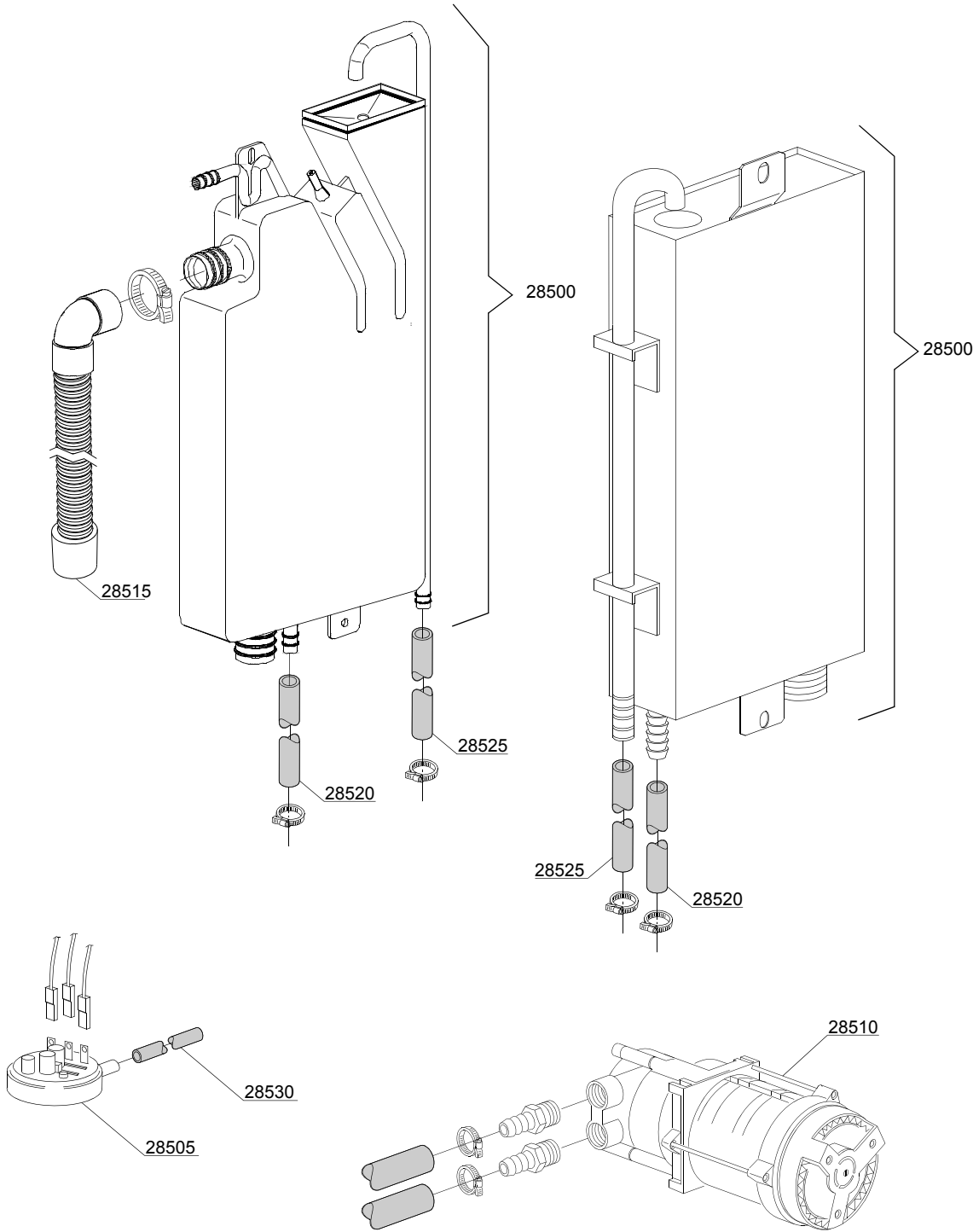
em=ELECTROMECHANICAL SWITCHES, uw=LOWER AND UPPER WASHING

7U=7U

bt=BREAK TANK, bp=BOOSTER PUMP, dvgw=DVGW, fs=COLD RINSE, ws=WATER SOFTNER, dd=DETERGENT DISPENSER, dp=DRAIN PUMP

A=3/N/PE~380-400V 50-60Hz, D=3/PE~200-210V 50-60Hz, F=2/PE~220-240V 50-60Hz, G=3/N/PE~415V 50-60Hz, H=3/PE~220-230V 50-60Hz, K=3/PE~380-400V 50-60Hz, L=3/PE~415V 50-60Hz, M=3/PE~440V 60Hz, P=1/N/PE~220-230V 50-60Hz, R=2/PE~220-240V 50-60Hz,

06_004_e



Spare parts

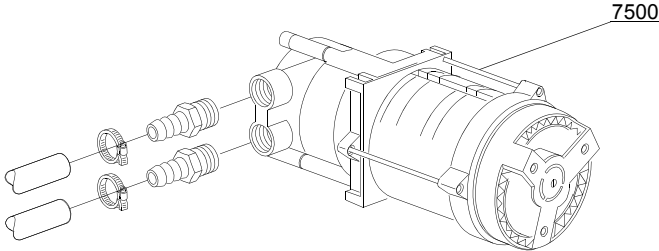
ID	P-code	SN from	SN to	Mod.	Acces.	Volt	Description
Module:Break Tank							
28500	15735		-		bt		Break tank assembly
28505	10706/A		-		bt		47-27 pressure switch
28510	15100/D		-		bt		Booster pump 220-240/50
28515	15721		-		bt		BT long pipe L=1070
28515	15722		-		bt		BT middle pipe L=920
28515	15723		-		bt		BT small pipe L=920
28520	2907350		-		bt		12x20 EPDM rubber hose
28525	2907352		-		bt		PVC WRAS rubber hose
28530	14508		-		bt		4,5x9 EPDM rubber hose (minimum 2 mt)

em=ELECTROMECHANICAL SWITCHES, uw=LOWER AND UPPER WASHING

7U=7U

bt=BREAK TANK, bp=BOOSTER PUMP, dvgw=DVGW, fs=COLD RINSE, ws=WATER SOFTNER, dd=DETERGENT DISPENSER, dp=DRAIN PUMP

A=3/N/PE~380-400V 50-60Hz, D=3/PE~200-210V 50-60Hz, F=2/PE~220-240V 50-60Hz, G=3/N/PE~415V 50-60Hz, H=3/PE~220-230V 50-60Hz, K=3/PE~380-400V 50-60Hz, L=3/PE~415V 50-60Hz, M=3/PE~440V 60Hz, P=1/N/PE~220-230V 50-60Hz, R=2/PE~220-240V 50-60Hz,



07_003_e

Spare parts

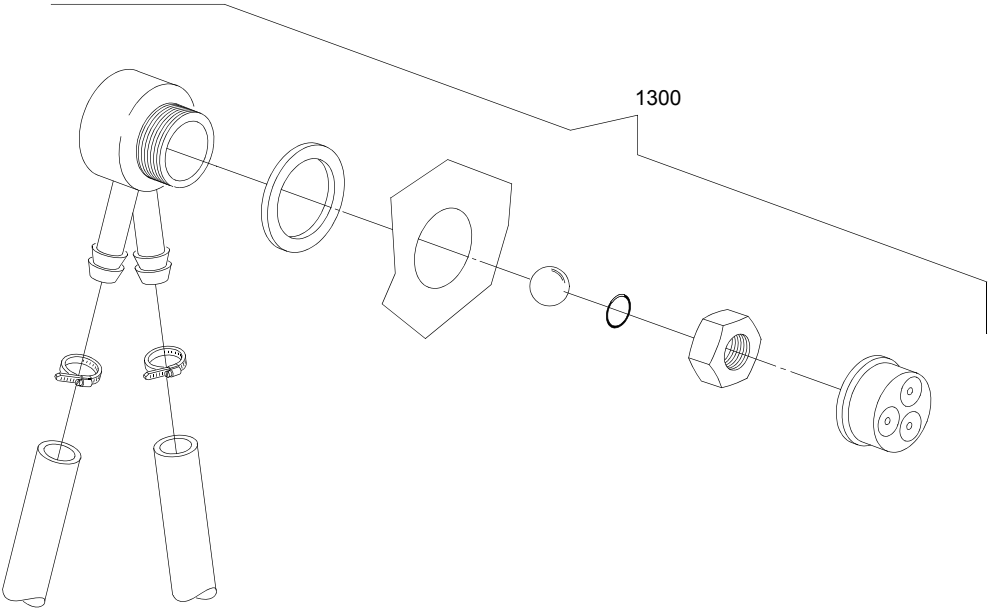
ID	P-code	SN from	SN to	Mod.	Acces.	Volt	Description
Module:Booster pump							
7500	15100/D		-	em	bp		Booster pump 220-240/50

em=ELECTROMECHANICAL SWITCHES, uw=LOWER AND UPPER WASHING

7U=7U

bt=BREAK TANK, bp=BOOSTER PUMP, dvgw=DVGW, fs=COLD RINSE, ws=WATER SOFTNER, dd=DETERGENT DISPENSER, dp=DRAIN PUMP

A=3/N/PE~380-400V 50-60Hz, D=3/PE~200-210V 50-60Hz, F=2/PE~220-240V 50-60Hz, G=3/N/PE~415V 50-60Hz, H=3/PE~220-230V 50-60Hz, K=3/PE~380-400V 50-60Hz, L=3/PE~415V 50-60Hz, M=3/PE~440V 60Hz, P=1/N/PE~220-230V 50-60Hz, R=2/PE~220-240V 50-60Hz,



08_005_e

Spare parts

ID	P-code	SN from	SN to	Mod.	Acces.	Volt	Description
Module:DVGW							
1300	999900006		-		dvgw		DVGW assembly

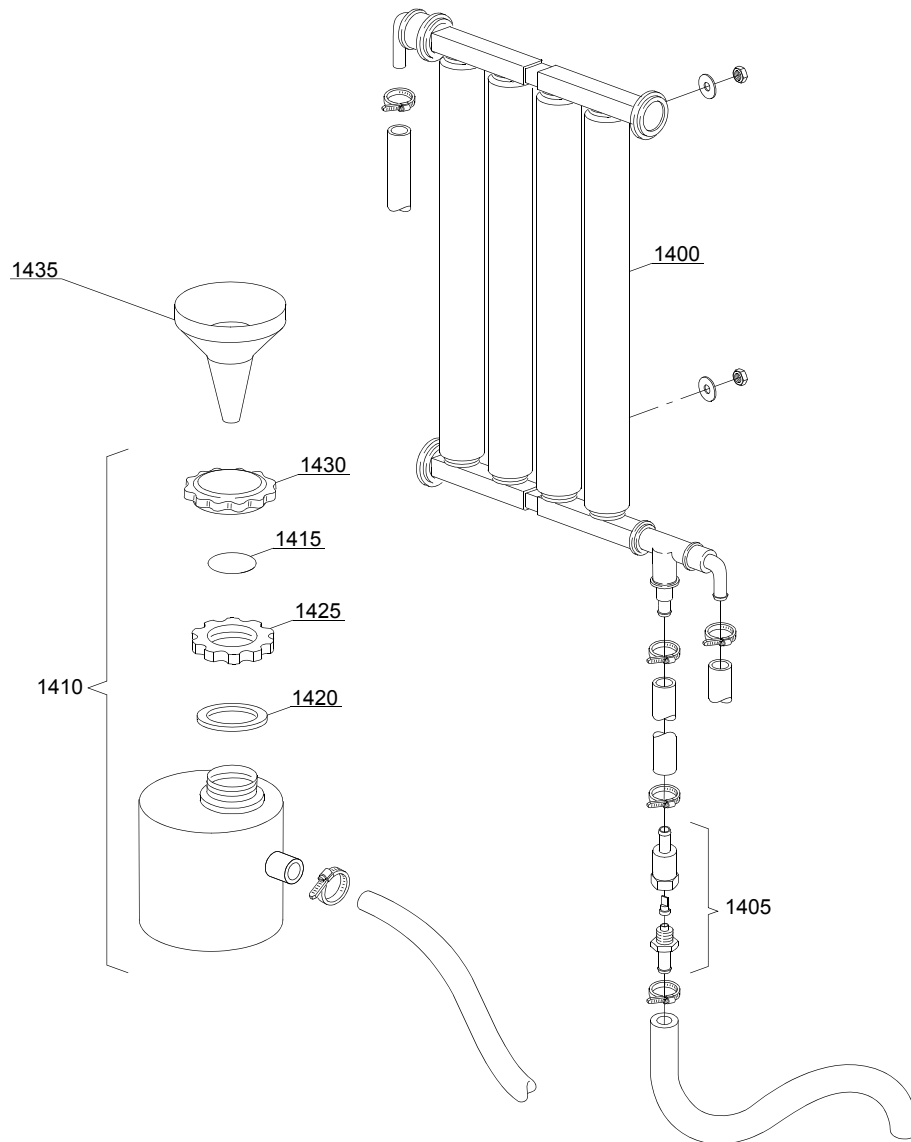
em=ELECTROMECHANICAL SWITCHES, uw=LOWER AND UPPER WASHING

7U=7U

bt=BREAK TANK, bp=BOOSTER PUMP, dvgw=DVGW, fs=COLD RINSE, ws=WATER SOFTNER, dd=DETERGENT DISPENSER, dp=DRAIN PUMP

A=3/N/PE~380-400V 50-60Hz, D=3/PE~200-210V 50-60Hz, F=2/PE~220-240V 50-60Hz, G=3/N/PE~415V 50-60Hz, H=3/PE~220-230V 50-60Hz, K=3/PE~380-400V 50-60Hz, L=3/PE~415V 50-60Hz, M=3/PE~440V 60Hz, P=1/N/PE~220-230V 50-60Hz, R=2/PE~220-240V 50-60Hz,

09_001_e



Spare parts

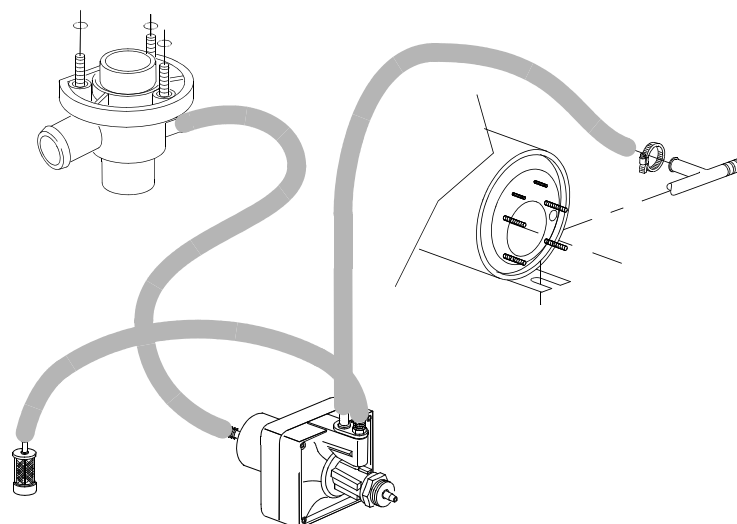
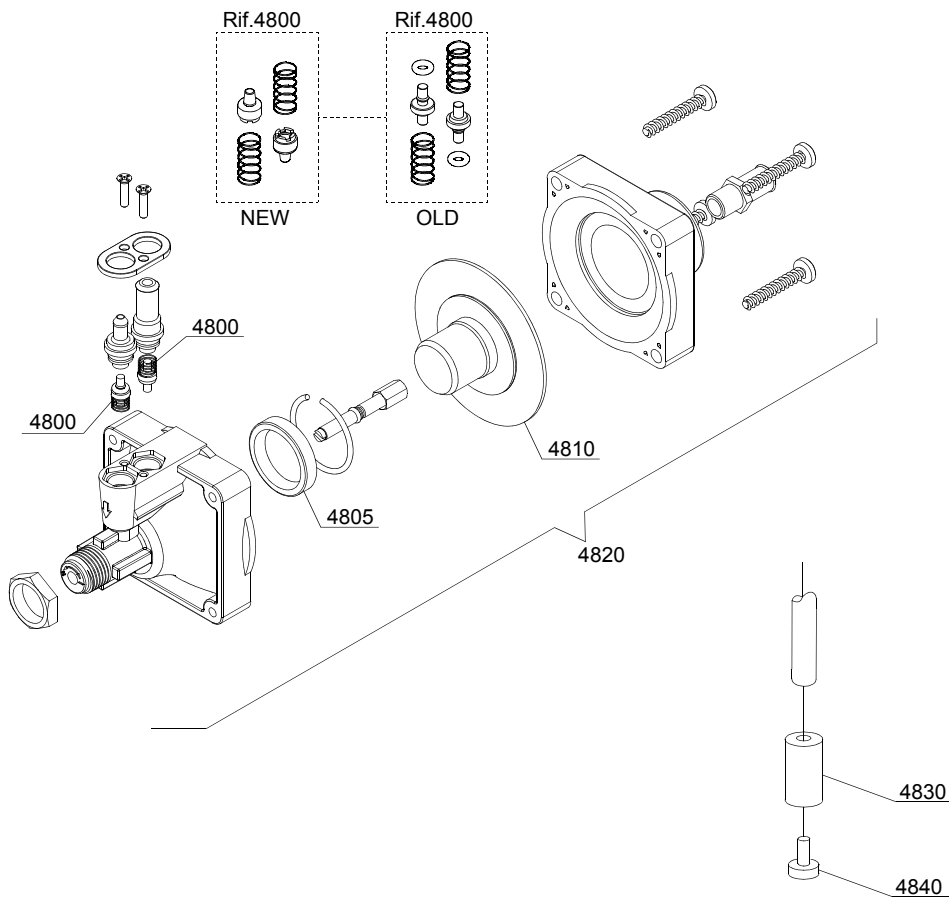
ID	P-code	SN from	SN to	Mod.	Acces.	Volt	Description
Module: Water softner group							
1400	16066		-		ws		4 elements water softner
1405	16070		-		ws		Nonreturn valve
1410	16065		-		ws		Salt container
1415	16067/A		-		ws		OR O-ring
1420	16067/B		-		ws		O-ring
1425	16067/C		-		ws		Ring nut
1430	16067/D		-		ws		Plug
1435	16082		-		ws		Funnel

em=ELECTROMECHANICAL SWITCHES, uw=LOWER AND UPPER WASHING

7U=7U

bt=BREAK TANK, bp=BOOSTER PUMP, dvgw=DVGW, fs=COLD RINSE, ws=WATER SOFTNER, dd=DETERGENT DISPENSER, dp=DRAIN PUMP

A=3/N/PE~380-400V 50-60Hz, D=3/PE~200-210V 50-60Hz, F=2/PE~220-240V 50-60Hz, G=3/N/PE~415V 50-60Hz, H=3/PE~220-230V 50-60Hz, K=3/PE~380-400V 50-60Hz, L=3/PE~415V 50-60Hz, M=3/PE~440V 60Hz, P=1/N/PE~220-230V 50-60Hz, R=2/PE~220-240V 50-60Hz,



10_004_e

Spare parts

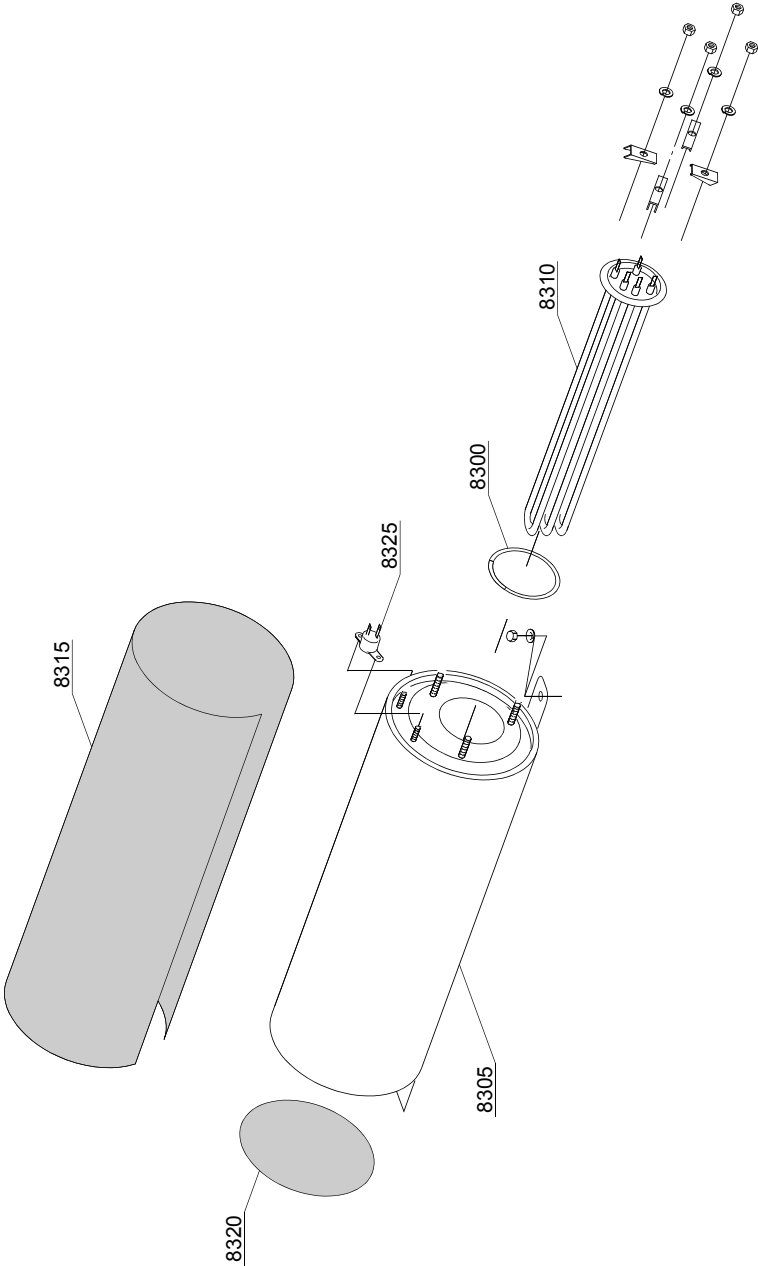
ID	P-code	SN from	SN to	Mod.	Acces.	Volt	Description
Module: Rinse aid dispenser group							
4800	10805		-				Tecnopro non return valve
4805	10806		-				Ø22 O-ring
4810	10807		-				Membrane
4820	10799		-				Rinse aid dispenser
4830	12525		-				Counter-weight
4840	15058		-				Small filter (minimum 3 pieces)

em=ELECTROMECHANICAL SWITCHES, uw=LOWER AND UPPER WASHING

7U=7U

bt=BREAK TANK, bp=BOOSTER PUMP, dvgw=DVGW, fs=COLD RINSE, ws=WATER SOFTNER, dd=DETERGENT DISPENSER, dp=DRAIN PUMP

A=3/N/PE~380-400V 50-60Hz, D=3/PE~200-210V 50-60Hz, F=2/PE~220-240V 50-60Hz, G=3/N/PE~415V 50-60Hz, H=3/PE~220-230V 50-60Hz, K=3/PE~380-400V 50-60Hz, L=3/PE~415V 50-60Hz, M=3/PE~440V 60Hz, P=1/N/PE~220-230V 50-60Hz, R=2/PE~220-240V 50-60Hz,



11_005_e

Spare parts

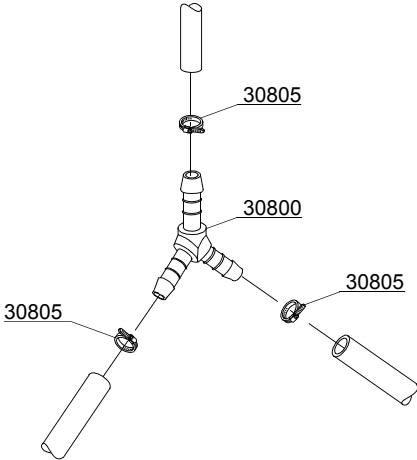
ID	P-code	SN from	SN to	Mod.	Acces.	Volt	Description
Module:Boiler group							
8300	13005		-				OR 151 NBR O-ring (minimum 5 pieces)
8305	26905		-				Boiler
8310	15046		-				3/3,27KW 230/240V 3 heating element
8310	16036		-				1,84/2KW 230/240V heating element
8315	26170		-				Insulation boiler
8320	26171		-				End piece
8325	15550		-				Safety thermostat

em=ELECTROMECHANICAL SWITCHES, uw=LOWER AND UPPER WASHING

7U=7U

bt=BREAK TANK, bp=BOOSTER PUMP, dvgw=DVGW, fs=COLD RINSE, ws=WATER SOFTNER, dd=DETERGENT DISPENSER, dp=DRAIN PUMP

A=3/N/PE~380-400V 50-60Hz, D=3/PE~200-210V 50-60Hz, F=2/PE~220-240V 50-60Hz, G=3/N/PE~415V 50-60Hz, H=3/PE~220-230V 50-60Hz, K=3/PE~380-400V 50-60Hz, L=3/PE~415V 50-60Hz, M=3/PE~440V 60Hz, P=1/N/PE~220-230V 50-60Hz, R=2/PE~220-240V 50-60Hz,



12_003ae

Spare parts

ID	P-code	SN from	SN to	Mod.	Acces.	Volt	Description
Module:3 ways connection							
30800	540090		-				Ø10 mm plastic 3 ways connection
30805	11807		-	em			12/22 clamp (minimum 3 pieces)

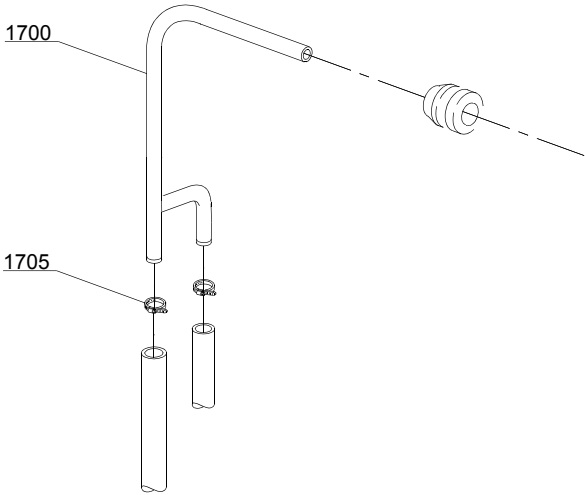
em=ELECTROMECHANICAL SWITCHES, uw=LOWER AND UPPER WASHING

7U=7U

bt=BREAK TANK, bp=BOOSTER PUMP, dvgw=DVGW, fs=COLD RINSE, ws=WATER SOFTNER, dd=DETERGENT DISPENSER, dp=DRAIN PUMP

A=3/N/PE~380-400V 50-60Hz, D=3/PE~200-210V 50-60Hz, F=2/PE~220-240V 50-60Hz, G=3/N/PE~415V 50-60Hz, H=3/PE~220-230V 50-60Hz, K=3/PE~380-400V 50-60Hz, L=3/PE~415V 50-60Hz, M=3/PE~440V 60Hz, P=1/N/PE~220-230V 50-60Hz, R=2/PE~220-240V 50-60Hz,

12_007_e



Spare parts

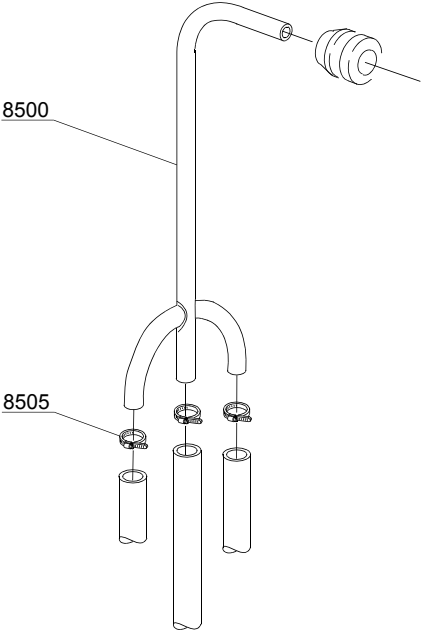
ID	P-code	SN from	SN to	Mod.	Acces.	Volt	Description
Module:Connection group							
1700	26012/B		-				3 ways connection
1705	11807		-				12/22 clamp (minimum 3 pieces)

em=ELECTROMECHANICAL SWITCHES, uw=LOWER AND UPPER WASHING

7U=7U

bt=BREAK TANK, bp=BOOSTER PUMP, dvgw=DVGW, fs=COLD RINSE, ws=WATER SOFTNER, dd=DETERGENT DISPENSER, dp=DRAIN PUMP

A=3/N/PE~380-400V 50-60Hz, D=3/PE~200-210V 50-60Hz, F=2/PE~220-240V 50-60Hz, G=3/N/PE~415V 50-60Hz, H=3/PE~220-230V 50-60Hz, K=3/PE~380-400V 50-60Hz, L=3/PE~415V 50-60Hz, M=3/PE~440V 60Hz, P=1/N/PE~220-230V 50-60Hz, R=2/PE~220-240V 50-60Hz,



12_009_e

Spare parts

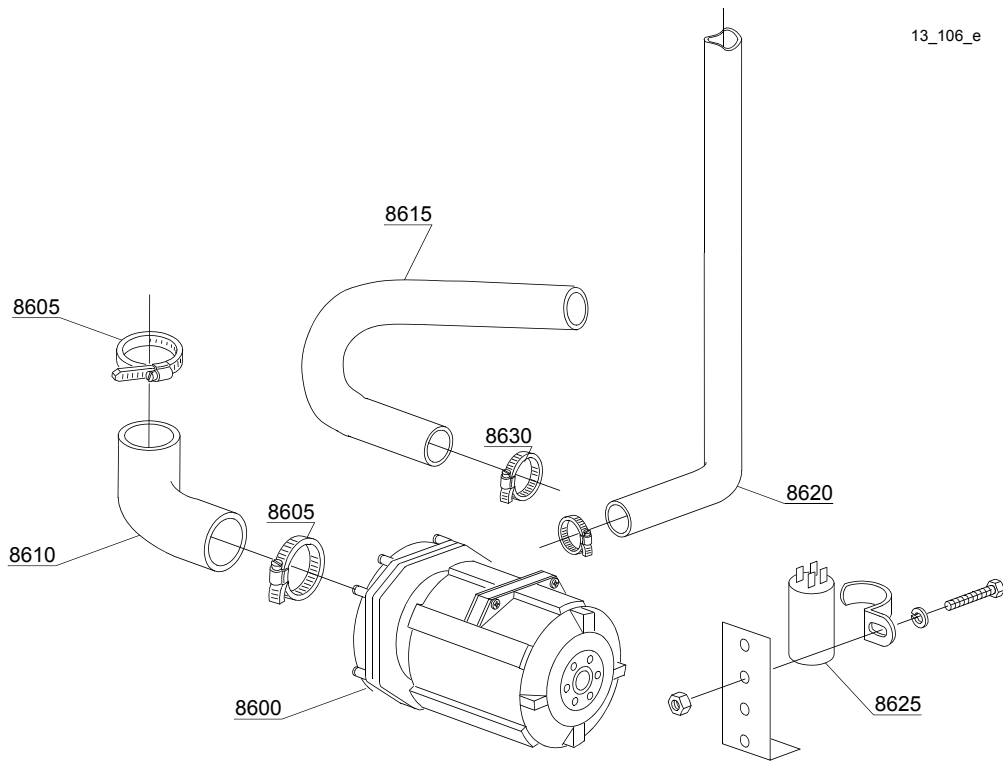
ID	P-code	SN from	SN to	Mod.	Acces.	Volt	Description
Module:Connection group							
8500	26012/C		-				4 ways connection
8505	11807		-				12/22 clamp (minimum 3 pieces)

em=ELECTROMECHANICAL SWITCHES, uw=LOWER AND UPPER WASHING

7U=7U

bt=BREAK TANK, bp=BOOSTER PUMP, dvgw=DVGW, fs=COLD RINSE, ws=WATER SOFTNER, dd=DETERGENT DISPENSER, dp=DRAIN PUMP

A=3/N/PE~380-400V 50-60Hz, D=3/PE~200-210V 50-60Hz, F=2/PE~220-240V 50-60Hz, G=3/N/PE~415V 50-60Hz, H=3/PE~220-230V 50-60Hz, K=3/PE~380-400V 50-60Hz, L=3/PE~415V 50-60Hz, M=3/PE~440V 60Hz, P=1/N/PE~220-230V 50-60Hz, R=2/PE~220-240V 50-60Hz,



Spare parts

ID	P-code	SN from	SN to	Mod.	Acces.	Volt	Description
Module: Wash pump							
8600	26176		-	uw		A	0,6Hp wash pump
8600	150915		-	uw			0,7Hp wash pump - 230Vac 60Hz
8605	11810		-	uw			40/60 clamp (minimum 2 pieces)
8610	15032		-	uw			Suction pipe coupling
8615	15033		-	uw			Lower wash delivery pipe
8620	30002021		-	uw			Top wash delivery pipe
8625	18043		-	uw			10 uF condenser
8630	11806		-	uw			25/40 clamp (minimum 2 pieces)

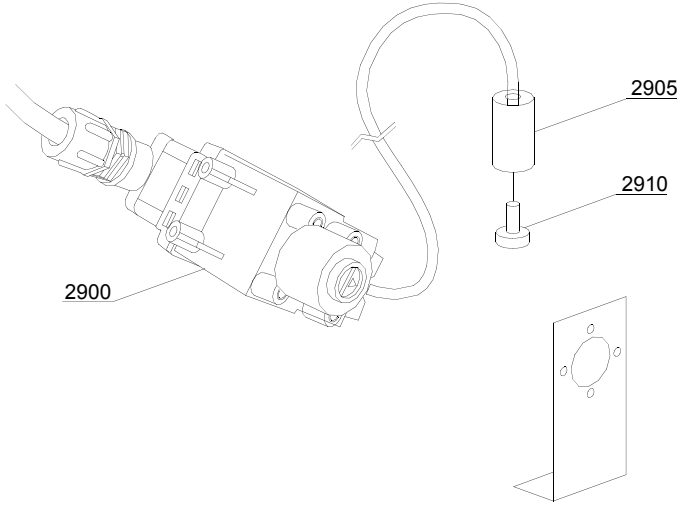
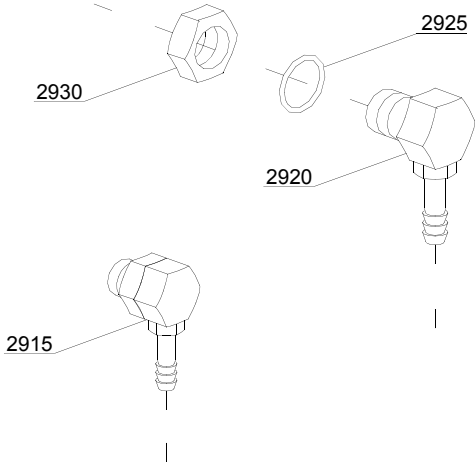
em=ELECTROMECHANICAL SWITCHES, uw=LOWER AND UPPER WASHING

7U=7U

bt=BREAK TANK, bp=BOOSTER PUMP, dvgw=DVGW, fs=COLD RINSE, ws=WATER SOFTNER, dd=DETERGENT DISPENSER, dp=DRAIN PUMP

A=3/N/PE~380-400V 50-60Hz, D=3/PE~200-210V 50-60Hz, F=2/PE~220-240V 50-60Hz, G=3/N/PE~415V 50-60Hz, H=3/PE~220-230V 50-60Hz, K=3/PE~380-400V 50-60Hz, L=3/PE~415V 50-60Hz, M=3/PE~440V 60Hz, P=1/N/PE~220-230V 50-60Hz, R=2/PE~220-240V 50-60Hz,

14_002_e



Spare parts

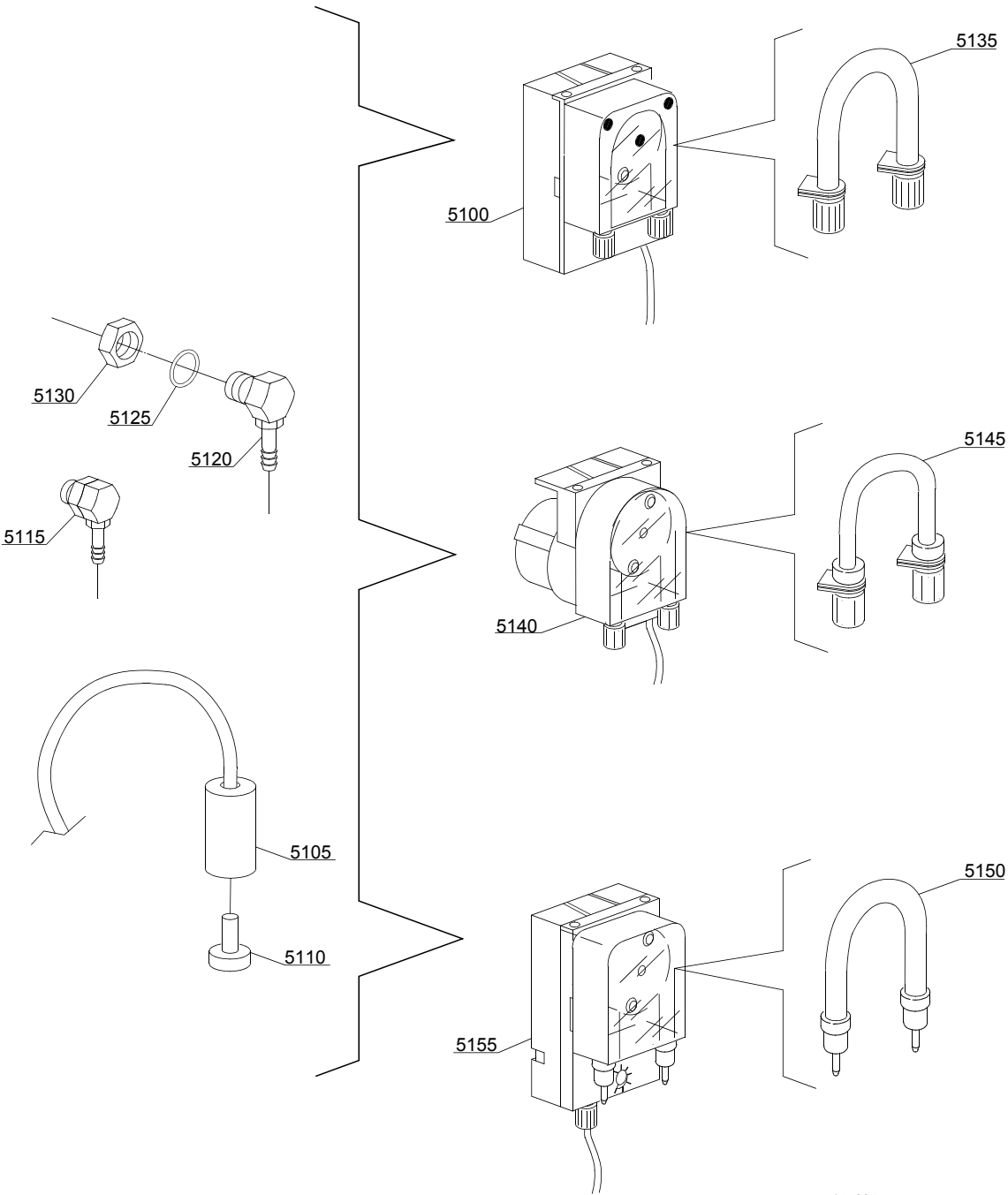
ID	P-code	SN from	SN to	Mod.	Acces.	Volt	Description
Module:Dosing detergent group							
2900	15108/L		-		dd		Lang detergent pump
2905	12525		-		dd		Counter-weight
2910	15058		-		dd		Small filter (minimum 3 pieces)
2915	15123		-		dd		Compleat plastic injector
2920	15148		-		dd		Steel injector
2925	15159		-		dd		OR O-ring (minimum 2 pieces)
2930	10200205		-		dd		M12x1 stainless steel nut (minimum 2 pieces)

em=ELECTROMECHANICAL SWITCHES, uw=LOWER AND UPPER WASHING

7U=7U

bt=BREAK TANK, bp=BOOSTER PUMP, dvgw=DVGW, fs=COLD RINSE, ws=WATER SOFTNER, dd=DETERGENT DISPENSER, dp=DRAIN PUMP

A=3/N/PE~380-400V 50-60Hz, D=3/PE~200-210V 50-60Hz, F=2/PE~220-240V 50-60Hz, G=3/N/PE~415V 50-60Hz, H=3/PE~220-230V 50-60Hz, K=3/PE~380-400V 50-60Hz, L=3/PE~415V 50-60Hz, M=3/PE~440V 60Hz, P=1/N/PE~220-230V 50-60Hz, R=2/PE~220-240V 50-60Hz,



14_004_e

Spare parts

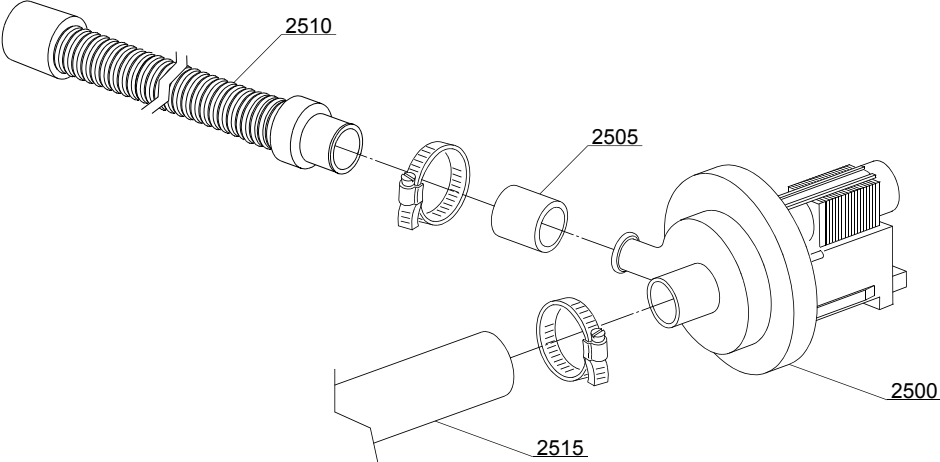
ID	P-code	SN from	SN to	Mod.	Acces.	Volt	Description
Module:Dosing detergent group							
5100	15985		-	em	dd		Seko detergent pump
5105	12525		-	em	dd		Counter-weight
5110	15058		-	em	dd		Small filter (minimum 3 pieces)
5115	15123		-	em	dd		Complet plastic injector
5120	15148		-	em	dd		Steel injector
5125	15159		-	em	dd		OR O-ring (minimum 2 pieces)
5130	10200205		-	em	dd		M12x1 stainless steel nut (minimum 2 pieces)
5135	15185		-	em	dd		Seko thermoplastic pipe
5140	15985		-	em	dd		Germac detergent pump
5145	15108/E		-	em	dd		Germac thermoplastic pipe
5150	15985/A			em	dd		PLAS CONT thermoplastic pipe
5155	15985			em	dd		PLAS CONT detergent pump

em=ELECTROMECHANICAL SWITCHES, uw=LOWER AND UPPER WASHING

7U=7U

bt=BREAK TANK, bp=BOOSTER PUMP, dvgw=DVGW, fs=COLD RINSE, ws=WATER SOFTNER, dd=DETERGENT DISPENSER, dp=DRAIN PUMP

A=3/N/PE~380-400V 50-60Hz, D=3/PE~200-210V 50-60Hz, F=2/PE~220-240V 50-60Hz, G=3/N/PE~415V 50-60Hz, H=3/PE~220-230V 50-60Hz, K=3/PE~380-400V 50-60Hz, L=3/PE~415V 50-60Hz, M=3/PE~440V 60Hz, P=1/N/PE~220-230V 50-60Hz, R=2/PE~220-240V 50-60Hz,



15_004_e

Spare parts

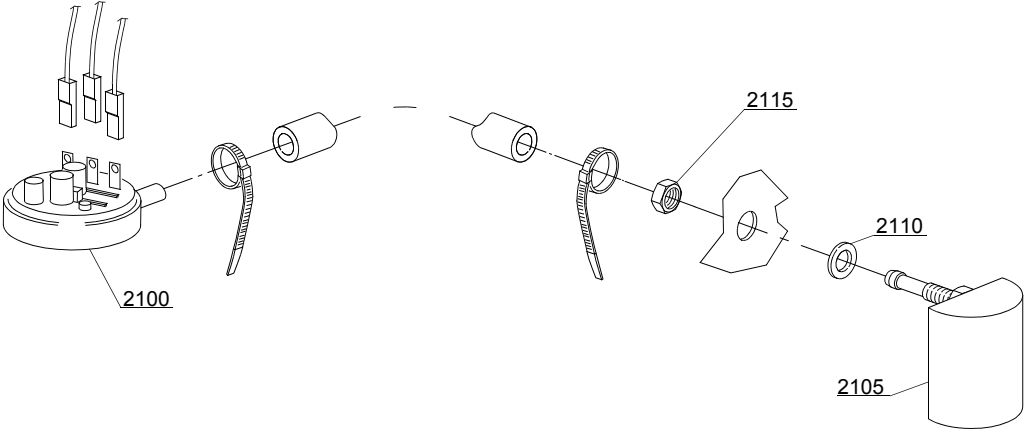
ID	P-code	SN from	SN to	Mod.	Acces.	Volt	Description
Module: Drain pump group							
2500	15101		-		dp		Drain pump 220/240V 50Hz
2500	15101/B		-		dp		Drain pump - 220/240V 60Hz
2505	15101/D		-		dp		Pipe fitting (minimum 3 pieces)
2510	10727		-		dp		Drain pipe
2515	18787		-		dp		Drain coude/pump connection pipe

em=ELECTROMECHANICAL SWITCHES, uw=LOWER AND UPPER WASHING

7U=7U

bt=BREAK TANK, bp=BOOSTER PUMP, dvgw=DVGW, fs=COLD RINSE, ws=WATER SOFTNER, dd=DETERGENT DISPENSER, dp=DRAIN PUMP

A=3/N/PE~380-400V 50-60Hz, D=3/PE~200-210V 50-60Hz, F=2/PE~220-240V 50-60Hz, G=3/N/PE~415V 50-60Hz, H=3/PE~220-230V 50-60Hz, K=3/PE~380-400V 50-60Hz, L=3/PE~415V 50-60Hz, M=3/PE~440V 60Hz, P=1/N/PE~220-230V 50-60Hz, R=2/PE~220-240V 50-60Hz,



16_001_e

Spare parts

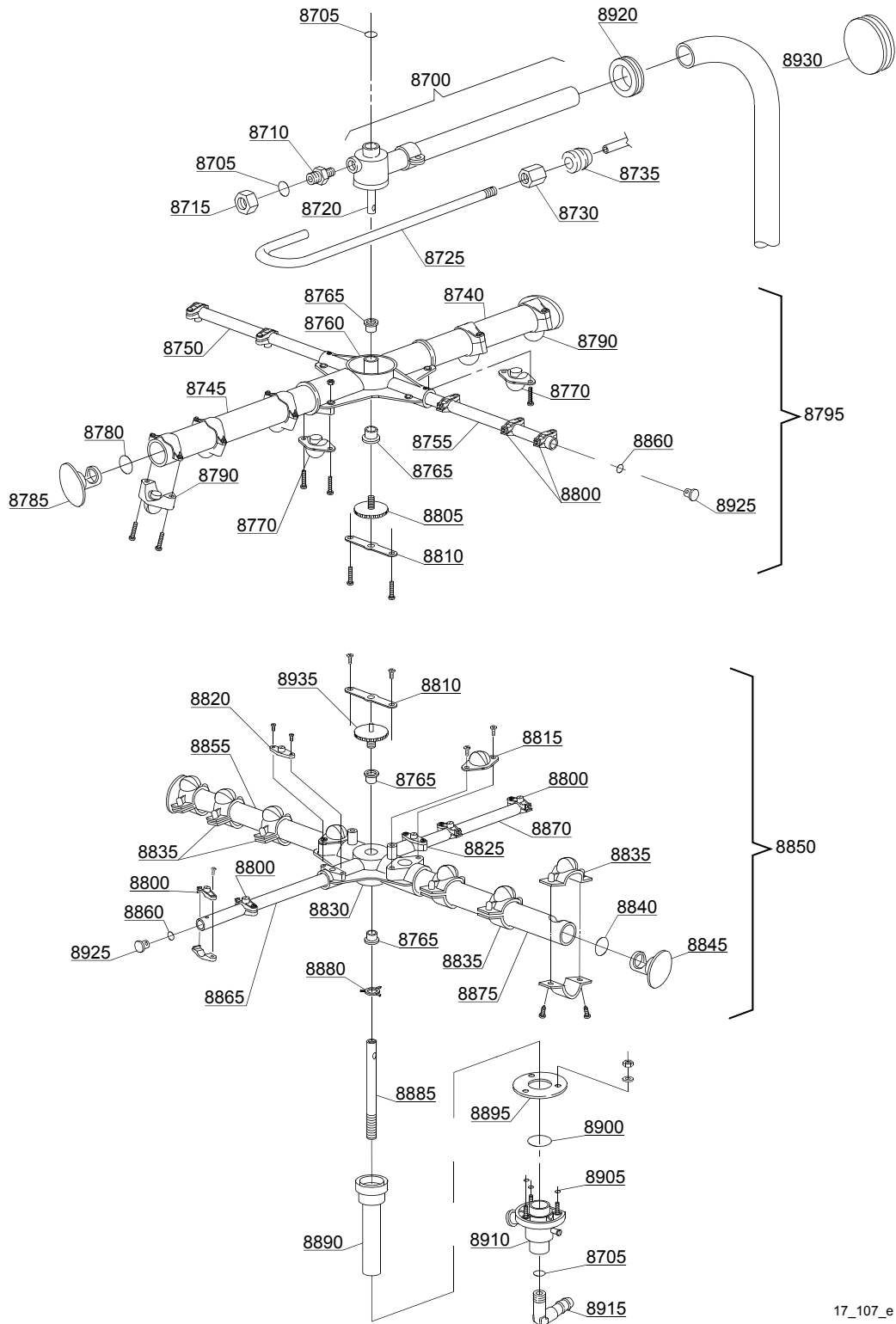
ID	P-code	SN from	SN to	Mod.	Acces.	Volt	Description
Module:Pressure switch group with air trap							
2100	10706/A		-	em			47-27 pressure switch
2105	135911/D	4020618	-	em			Air trap assembly
2110	13301		-	em			O-ring (minimum 10 pieces)
2115	11702		-	em			M8 stainless steel nut (minimum 10 pieces)

em=ELECTROMECHANICAL SWITCHES, uw=LOWER AND UPPER WASHING

7U=7U

bt=BREAK TANK, bp=BOOSTER PUMP, dvgw=DVGW, fs=COLD RINSE, ws=WATER SOFTNER, dd=DETERGENT DISPENSER, dp=DRAIN PUMP

A=3/N/PE~380-400V 50-60Hz, D=3/PE~200-210V 50-60Hz, F=2/PE~220-240V 50-60Hz, G=3/N/PE~415V 50-60Hz, H=3/PE~220-230V 50-60Hz, K=3/PE~380-400V 50-60Hz, L=3/PE~415V 50-60Hz, M=3/PE~440V 60Hz, P=1/N/PE~220-230V 50-60Hz, R=2/PE~220-240V 50-60Hz,



17_107_e

Spare parts

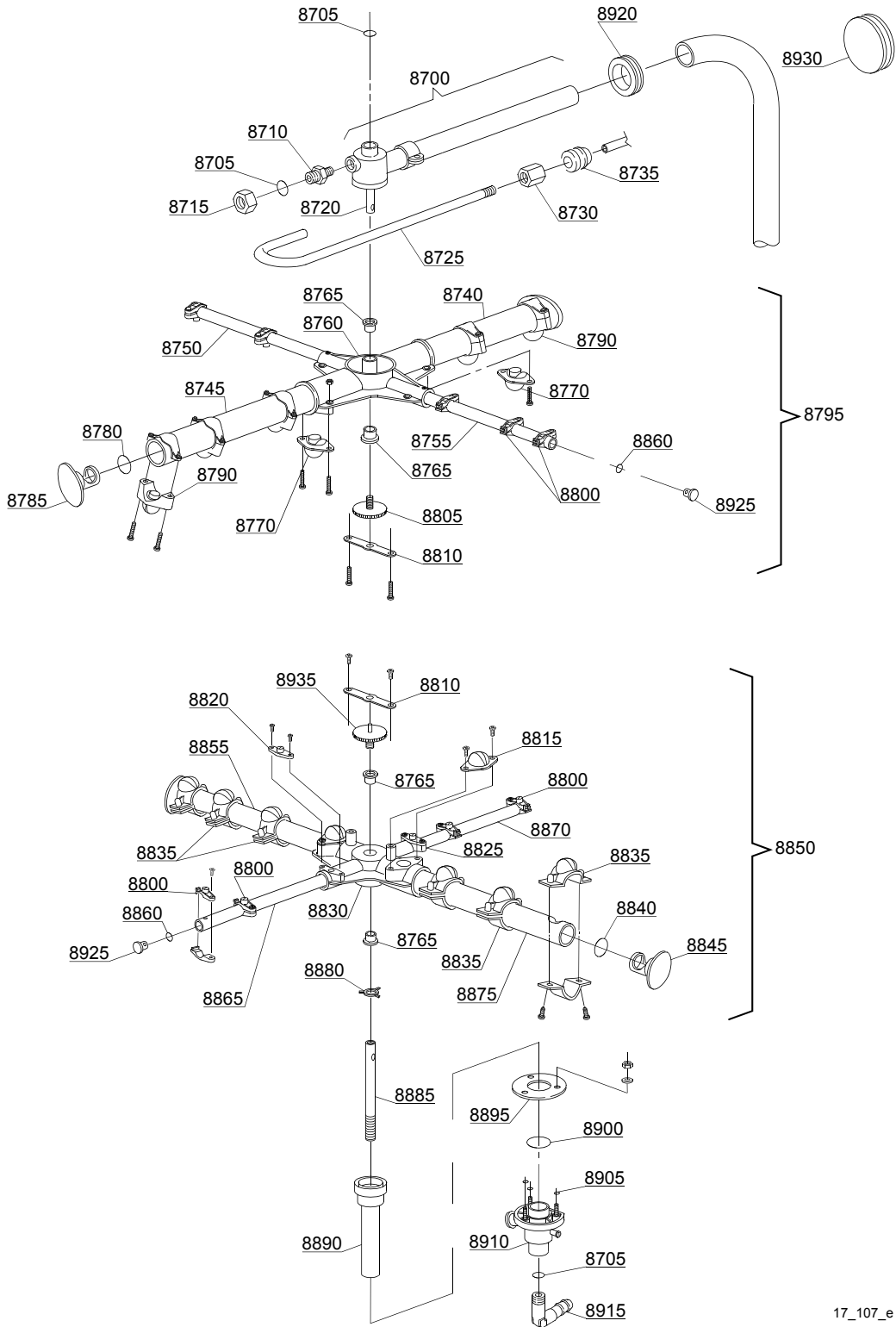
ID	P-code	SN from	SN to	Mod.	Acces.	Volt	Description
Module:Turret group with rotating arms							
8700	26911		-	uw			Top wash/rinse distributor group
8705	13003		-	uw			OR 112 NBR O-ring (minimum 10 pieces)
8710	12006		-	uw			Ø10 rinse pipe fitting
8715	12006/A		-	uw			Ø10 pipe fitting 3/8x3,5 nut 19 hexagonal
8720	15300		-	uw			Ø10x51 lower/top rinse axle
8725	26012		3019191	uw			Complete rinse ramp
8730	12526		-	uw			Stainless steel nut coupling
8735	13304		-	uw			Pipe-pass O-ring
8740	15571		-	uw			Ø28 right wash pipe
8745	15572		-	uw			Ø28 left wash pipe
8750	15575		-	uw			Right rinse pipe
8755	15576		-	uw			Left rinse pipe
8760	10209		-	uw			4 ways big rotor
8765	13319		-	uw			Sliding washer (minimum 2 pieces)
8770	10218		-	uw			Ø28 opened plane nozzle (minimum 2 pieces)
8780	13018		-	uw			OR 2087 NBR O-ring (minimum 10 pieces)
8785	10257		-	uw			Ø28 plastic plug (minimum 3 pieces)
8790	10211		-	uw			Ø28 raised nozzle (minimum 2 pieces)
8795	15956		-	uw			Ø28 wash/rinse group
8800	12528		-	uw			Ø10 complet rinse nozzle (minimum 2 pieces)
8805	11101/I		-	uw			Stainless steel group fixing screw
8810	10210		-	uw			Blocking ring nut rotor plaque
8815	10212		-	uw			Ø18 opened plane nozzle (minimum 2 pieces)
8820	10213		-	uw			Ø10 opened plane nozzle (minimum 2 pieces)
8825	10217		-	uw			Ø10 closed plane nozzle (minimum 2 pieces)
8830	10208		-	uw			4 ways small rotor
8835	10746		-	uw			Nozzle with horizontal fissure (minimum 3 pieces)
8840	13009		-	uw			OR 2050 NBR O-ring (minimum 40 pieces)

em=ELECTROMECHANICAL SWITCHES, uw=LOWER AND UPPER WASHING

7U=7U

bt=BREAK TANK, bp=BOOSTER PUMP, dvgw=DVGW, fs=COLD RINSE, ws=WATER SOFTNER, dd=DETERGENT DISPENSER, dp=DRAIN PUMP

A=3/N/PE~380-400V 50-60Hz, D=3/PE~200-210V 50-60Hz, F=2/PE~220-240V 50-60Hz, G=3/N/PE~415V 50-60Hz, H=3/PE~220-230V 50-60Hz, K=3/PE~380-400V 50-60Hz, L=3/PE~415V 50-60Hz, M=3/PE~440V 60Hz, P=1/N/PE~220-230V 50-60Hz, R=2/PE~220-240V 50-60Hz,



17_107_e

Spare parts

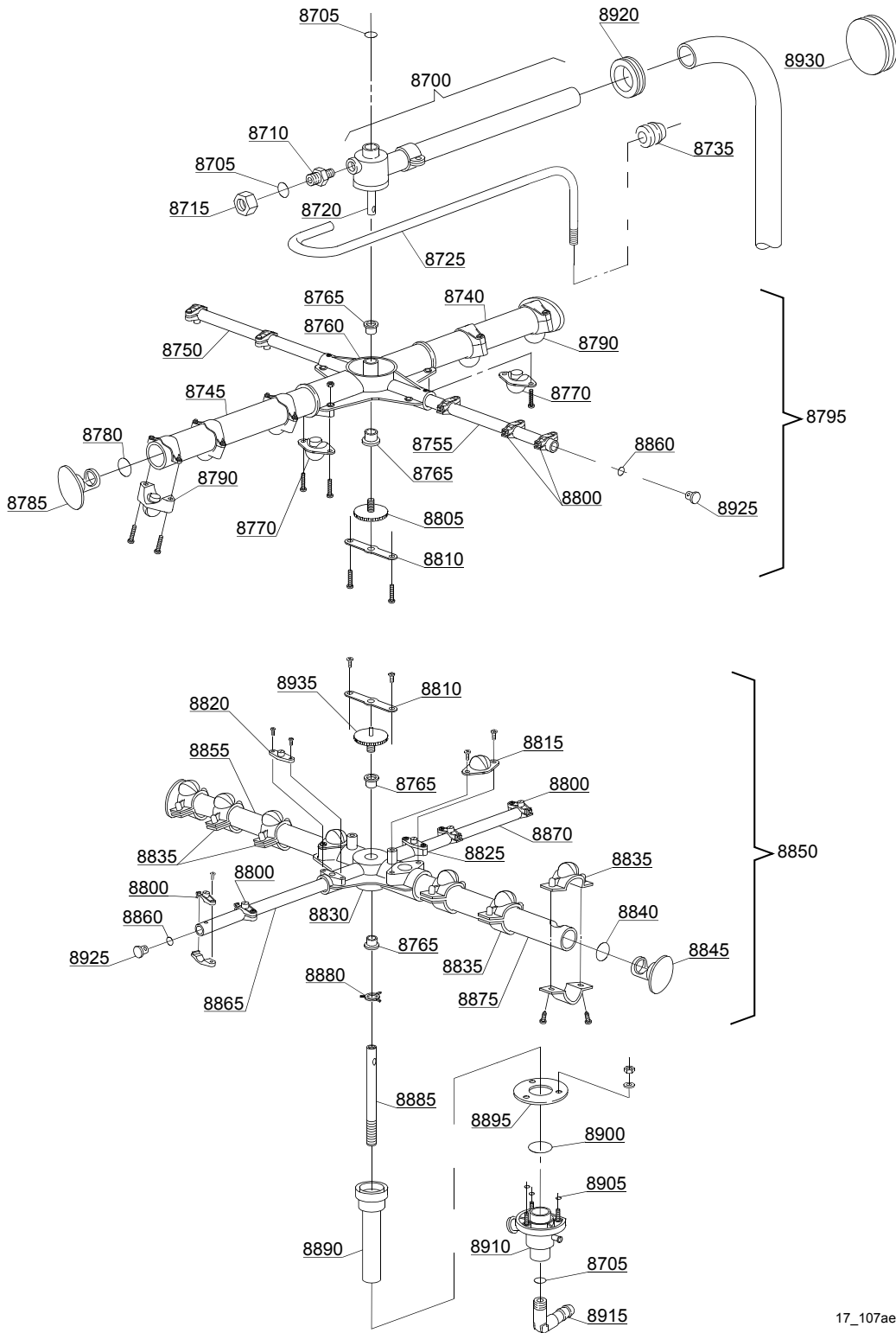
ID	P-code	SN from	SN to	Mod.	Acces.	Volt	Description
Module:Turret group with rotating arms							
8845	10256		-	uw			Ø18 plastic plug (minimum 2 pieces)
8850	26957		-	uw			Wash/rinse group
8855	26152		-	uw			Left wash pipe
8860	13016		-	uw			2018 OR 103 NBR O-ring (minimum 10 pieces)
8865	26153		-	uw			Right rinse pipe
8870	26154		-	uw			Left rinse pipe
8875	26151		-	uw			Right wash pipe
8880	10203		-	uw			Guide pipe
8885	19003		-	uw			10x1x190 stainless steel ground axle
8890	19250		-	uw			Bell-shape assembly with pipe coupling
8895	16038		-	uw			Ø60 stainless steel disk
8900	13000		-	uw			OR 3125 NBR O-ring (minimum 5 pieces)
8905	13001		-	uw			OR 104 NBR O-ring (minimum 10 pieces)
8910	10205		-	uw			Lower wash turret
8915	12030		-	uw			3/8M Ø12 elbow pipe fitting
8920	13306/A		-	uw			Top wash ramp O-ring
8925	12532		-	uw			Ø10 plastic plug (minimum 3 pieces)
8930	13316/A		-	uw			DVGW hole O-ring
8935	11101/A		-	uw			Stainless steel group fixing screw

em=ELECTROMECHANICAL SWITCHES, uw=LOWER AND UPPER WASHING

7U=7U

bt=BREAK TANK, bp=BOOSTER PUMP, dvgw=DVGW, fs=COLD RINSE, ws=WATER SOFTNER, dd=DETERGENT DISPENSER, dp=DRAIN PUMP

A=3/N/PE~380-400V 50-60Hz, D=3/PE~200-210V 50-60Hz, F=2/PE~220-240V 50-60Hz, G=3/N/PE~415V 50-60Hz, H=3/PE~220-230V 50-60Hz, K=3/PE~380-400V 50-60Hz, L=3/PE~415V 50-60Hz, M=3/PE~440V 60Hz, P=1/N/PE~220-230V 50-60Hz, R=2/PE~220-240V 50-60Hz,



17_107ae

Spare parts

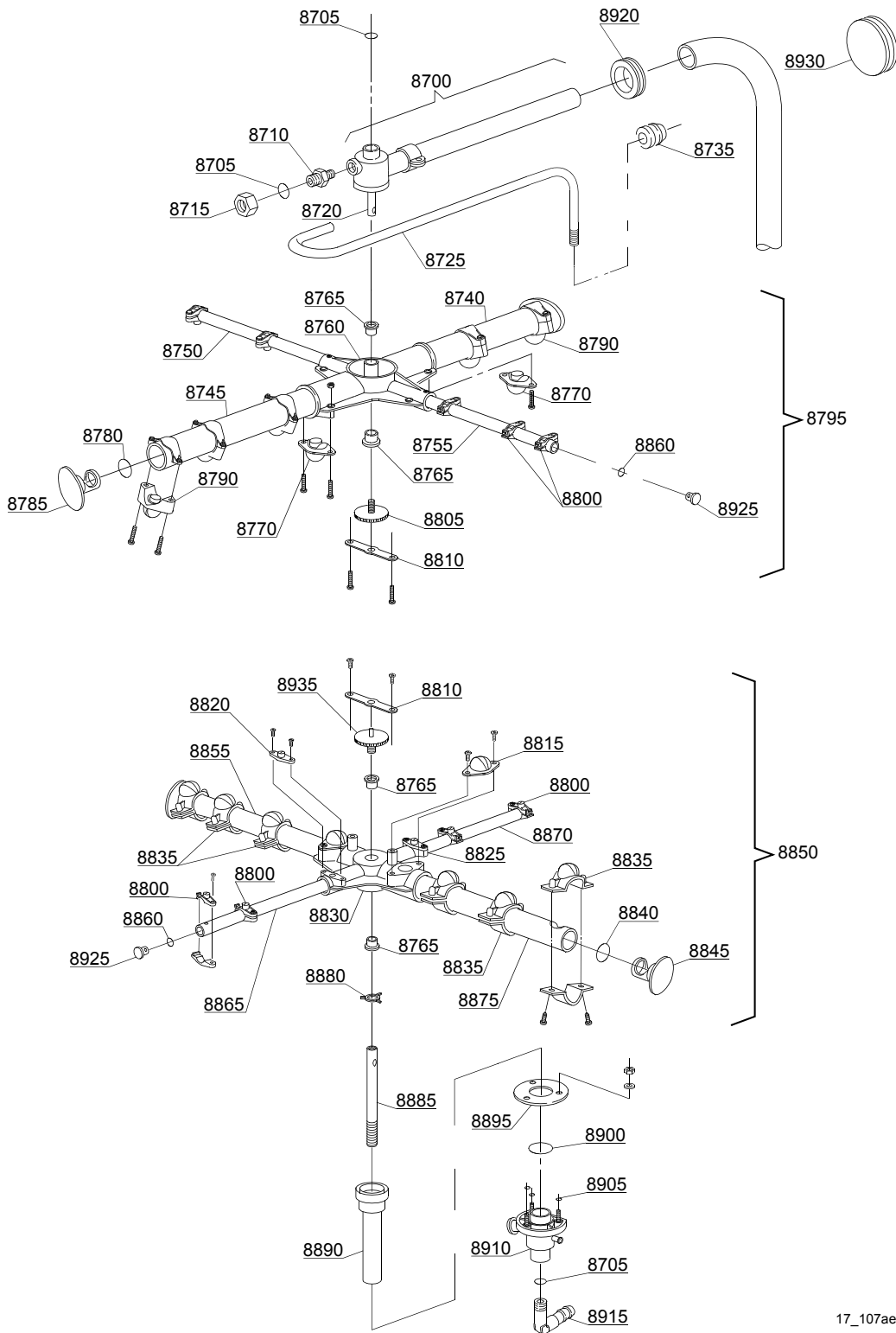
ID	P-code	SN from	SN to	Mod.	Acces.	Volt	Description
Module:Turret group with rotating arms							
8700	26911		-	uw			Top wash/rinse distributor group
8705	13003		-	uw			OR 112 NBR O-ring (minimum 10 pieces)
8710	12006		-	uw			Ø10 rinse pipe fitting
8715	12006/A		-	uw			Ø10 pipe fitting 3/8x3,5 nut 19 hexagonal
8720	15300		-	uw			Ø10x51 lower/top rinse axle
8725	26971	3019192	-	uw			Complete rinse ramp
8735	13304		-	uw			Pipe-pass O-ring
8740	15571		-	uw			Ø28 right wash pipe
8745	15572		-	uw			Ø28 left wash pipe
8750	15575		-	uw			Right rinse pipe
8755	15576		-	uw			Left rinse pipe
8760	10209		-	uw			4 ways big rotor
8765	13319		-	uw			Sliding washer (minimum 2 pieces)
8770	10218		-	uw			Ø28 opened plane nozzle (minimum 2 pieces)
8780	13018		-	uw			OR 2087 NBR O-ring (minimum 10 pieces)
8785	10257		-	uw			Ø28 plastic plug (minimum 3 pieces)
8790	10211		-	uw			Ø28 raised nozzle (minimum 2 pieces)
8795	15956		-	uw			Ø28 wash/rinse group
8800	12528		-	uw			Ø10 complet rinse nozzle (minimum 2 pieces)
8805	11101/I		-	uw			Stainless steel group fixing screw
8810	10210		-	uw			Blocking ring nut rotor plaque
8815	10212		-	uw			Ø18 opened plane nozzle (minimum 2 pieces)
8820	10213		-	uw			Ø10 opened plane nozzle (minimum 2 pieces)
8825	10217		-	uw			Ø10 closed plane nozzle (minimum 2 pieces)
8830	10208		-	uw			4 ways small rotor
8835	10746		-	uw			Nozzle with horizontal fissure (minimum 3 pieces)
8840	13009		-	uw			OR 2050 NBR O-ring (minimum 40 pieces)
8845	10256		-	uw			Ø18 plastic plug (minimum 2 pieces)

em=ELECTROMECHANICAL SWITCHES, uw=LOWER AND UPPER WASHING

7U=7U

bt=BREAK TANK, bp=BOOSTER PUMP, dvgw=DVGW, fs=COLD RINSE, ws=WATER SOFTNER, dd=DETERGENT DISPENSER, dp=DRAIN PUMP

A=3/N/PE~380-400V 50-60Hz, D=3/PE~200-210V 50-60Hz, F=2/PE~220-240V 50-60Hz, G=3/N/PE~415V 50-60Hz, H=3/PE~220-230V 50-60Hz, K=3/PE~380-400V 50-60Hz, L=3/PE~415V 50-60Hz, M=3/PE~440V 60Hz, P=1/N/PE~220-230V 50-60Hz, R=2/PE~220-240V 50-60Hz,



17_107ae

Spare parts

ID	P-code	SN from	SN to	Mod.	Acces.	Volt	Description
Module:Turret group with rotating arms							
8850	26957		-	uw			Wash/rinse group
8855	26152		-	uw			Left wash pipe
8860	13016		-	uw			2018 OR 103 NBR O-ring (minimum 10 pieces)
8865	26153		-	uw			Right rinse pipe
8870	26154		-	uw			Left rinse pipe
8875	26151		-	uw			Right wash pipe
8880	10203		-	uw			Guide pipe
8885	19003		-	uw			10x1x190 stainless steel ground axle
8890	19250		-	uw			Bell-shape assembly with pipe coupling
8895	16038		-	uw			Ø60 stainless steel disk
8900	13000		-	uw			OR 3125 NBR O-ring (minimum 5 pieces)
8905	13001		-	uw			OR 104 NBR O-ring (minimum 10 pieces)
8910	10205		-	uw			Lower wash turret
8915	12030		-	uw			3/8M Ø12 elbow pipe fitting
8920	13306/A		-	uw			Top wash ramp O-ring
8925	12532		-	uw			Ø10 plastic plug (minimum 3 pieces)
8930	13316/A		-	uw			DVGW hole O-ring
8935	11101/A		-	uw			Stainless steel group fixing screw

em=ELECTROMECHANICAL SWITCHES, uw=LOWER AND UPPER WASHING

7U=7U

bt=BREAK TANK, bp=BOOSTER PUMP, dvgw=DVGW, fs=COLD RINSE, ws=WATER SOFTNER, dd=DETERGENT DISPENSER, dp=DRAIN PUMP

A=3/N/PE~380-400V 50-60Hz, D=3/PE~200-210V 50-60Hz, F=2/PE~220-240V 50-60Hz, G=3/N/PE~415V 50-60Hz, H=3/PE~220-230V 50-60Hz, K=3/PE~380-400V 50-60Hz, L=3/PE~415V 50-60Hz, M=3/PE~440V 60Hz, P=1/N/PE~220-230V 50-60Hz, R=2/PE~220-240V 50-60Hz,