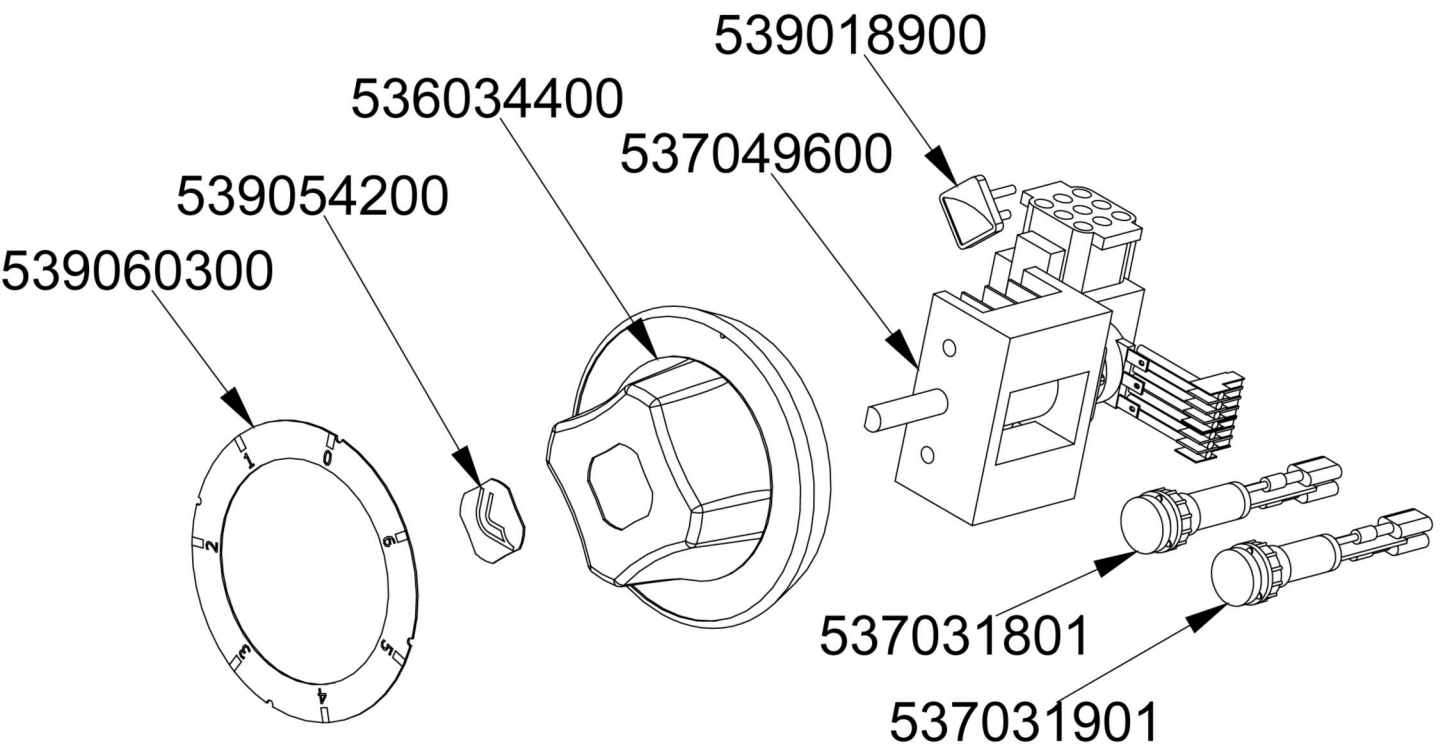
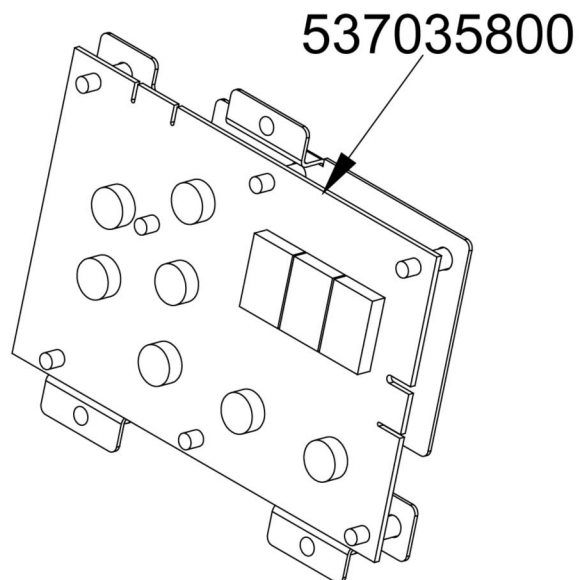


# (ET)



# (ETD)



Page	Pos	Code	Description
001		532004100	FLUE GRID L=370 90LINE (RAF
001		541128701	UPPER PLATE FTC-98E WITH GLASS
001		537028702	INDUCTANCE PCI WOK
001		537046000	GENERATOR PCI WOK 5KW 400V3 (C
001		544446900	LHD SIDE FOR 90T APPLIANCES
001		537027400	TERMINAL BLOCK THREEPHASE 40A
001		541107500	CONTROL PANEL F13/18-74E
001		533010500	LEG M10*25 D.40
001		544446800	
001		531034800	NET FILTER FOR KSK
002		539018900	INDEX FOR KNOB W/RED SIGN
002		537049600	COMPLETE CONTROL FOR INDUCTORS
002		536034400	KNOB §77 4P. §06*4,6 C/M
002		539054200	STAMP Ø20,5 CR. "L" LOTUS R.
002		539060300	RED ADESIVE DISK FOR PCC/PCI-E
002		537031801	GREEN WARNING LIGHT 12V E FASTON
002		537031901	RED WARNING LIGHT PCI 12V E FASTON
002		537035800	TOUCH ELECTRONIC BOARD FOR PCI