

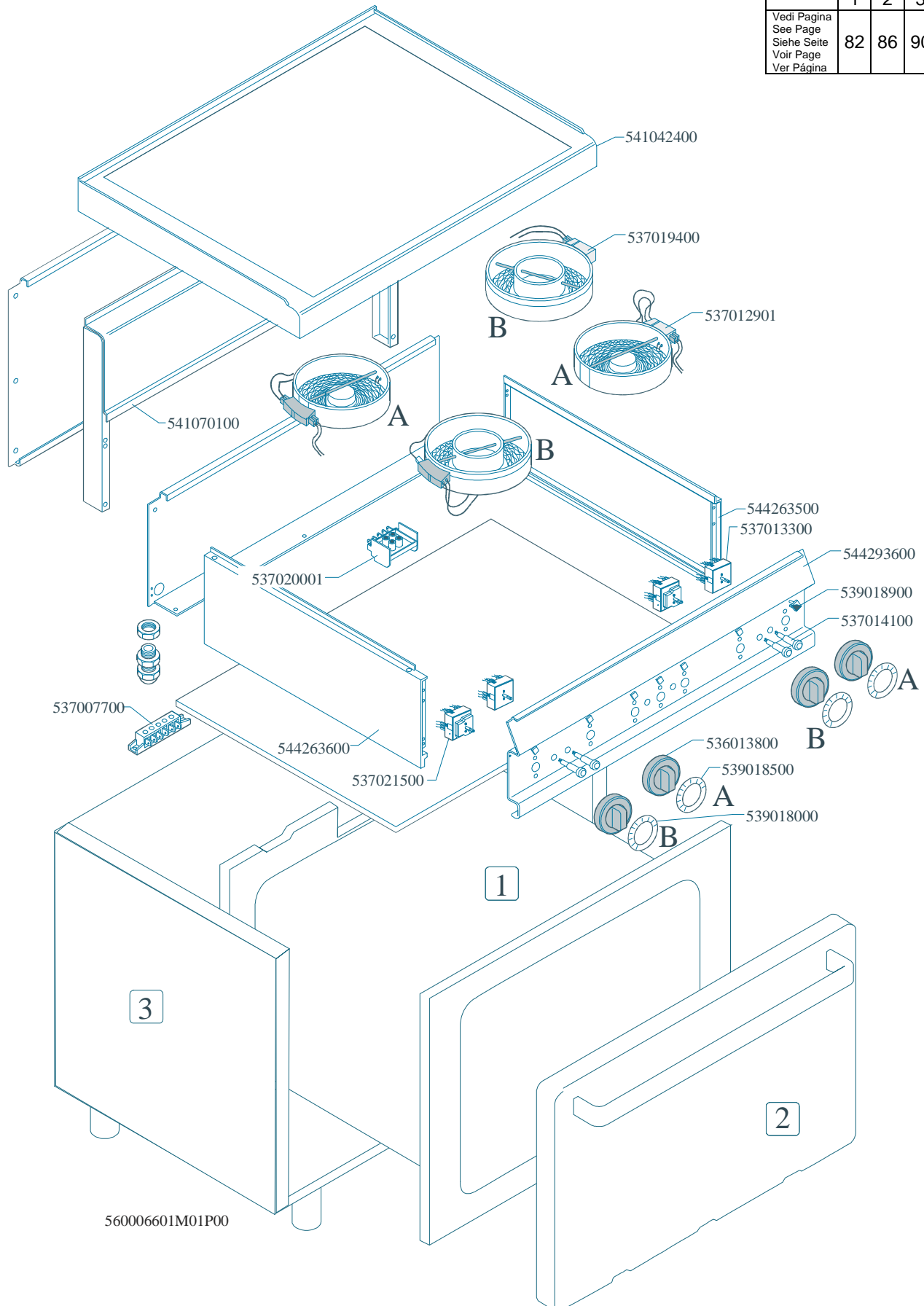
# MAGIC PROF 65

CUCINE / RANGES / HERDE / CUISINIÈRES / N° 0309

CF...-8...

## CFC4-8ET

	1	2	3
Vedi Pagina See Page Siehe Seite Voir Page Ver Pagina	82	86	90

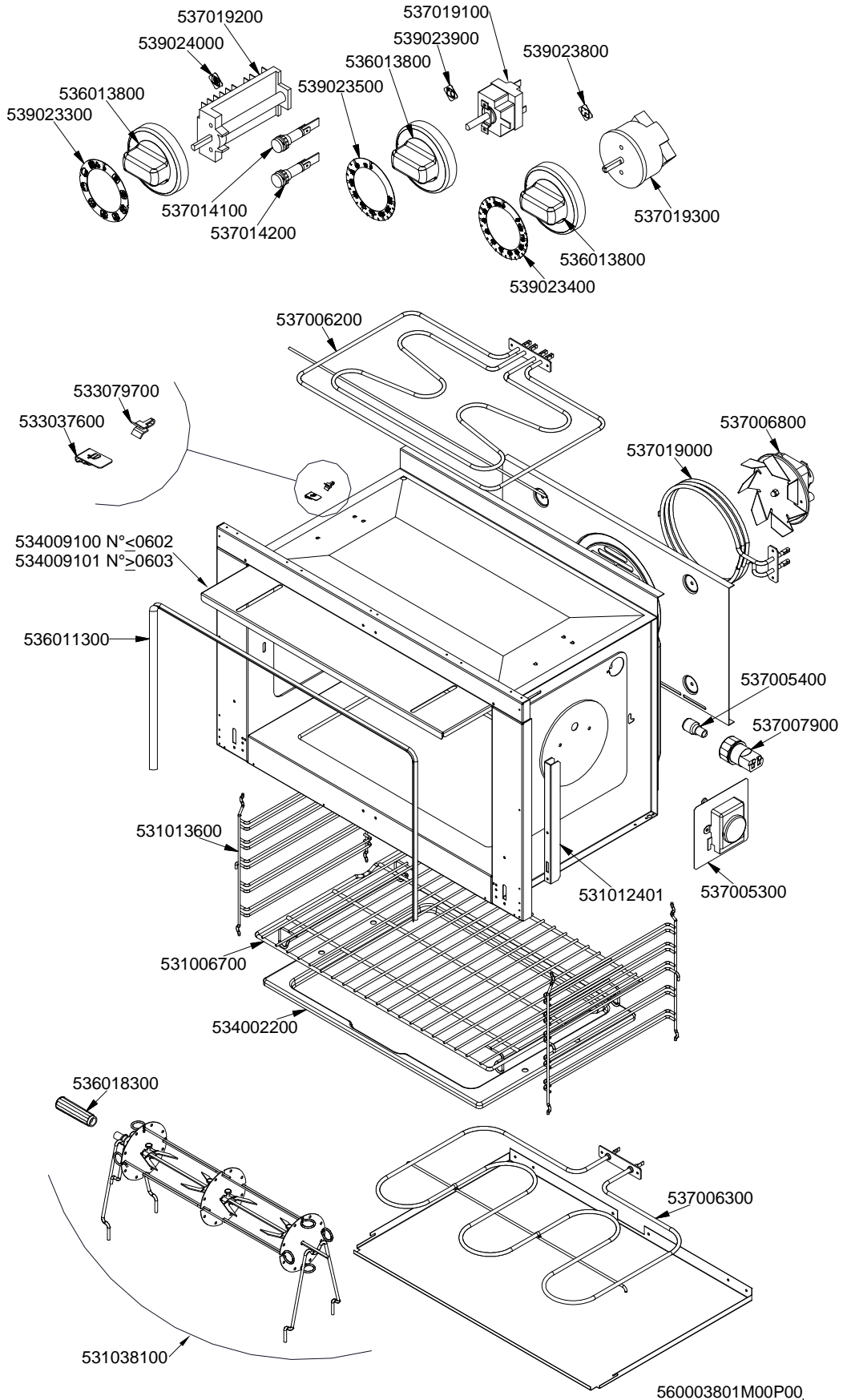


# MAGIC PROF 65

CUCINE / RANGES / HERDE / CUISINIÈRES / N° ≥ 0309

FORNO / OVEN / BACKOFEN / FOUR

MULTIFUNZIONE ELETTRICO / MULTIFUNCTION ELECTRIC / MULTIFUNKTIONS  
ELEKTRO / ELECTRIQUE A FONCTIONS MULTIPLES ≤ 0705

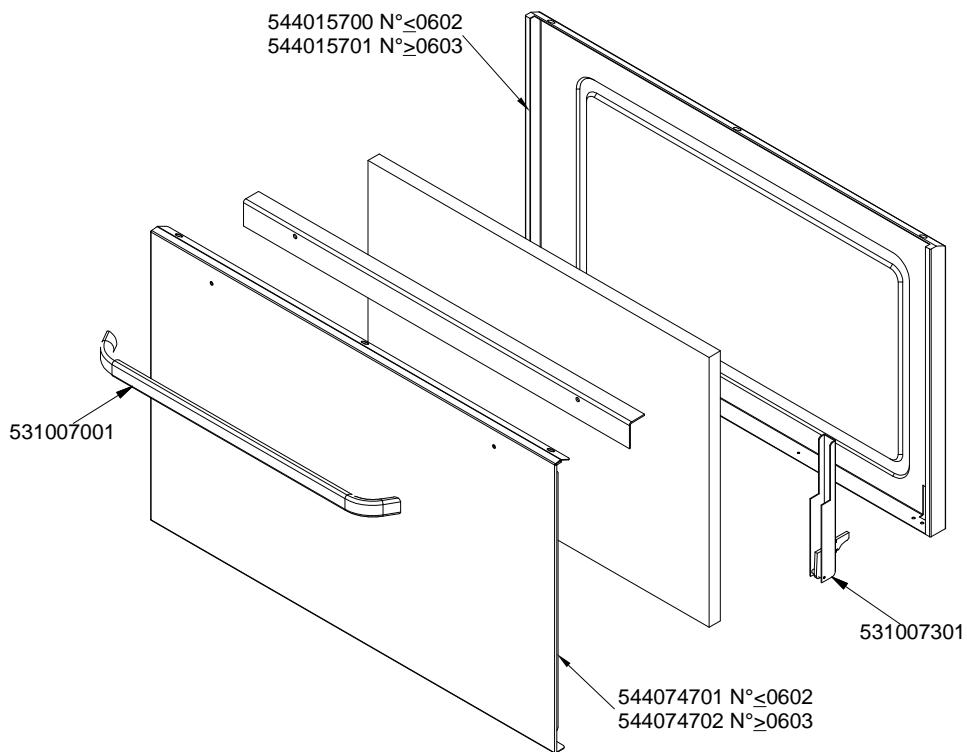
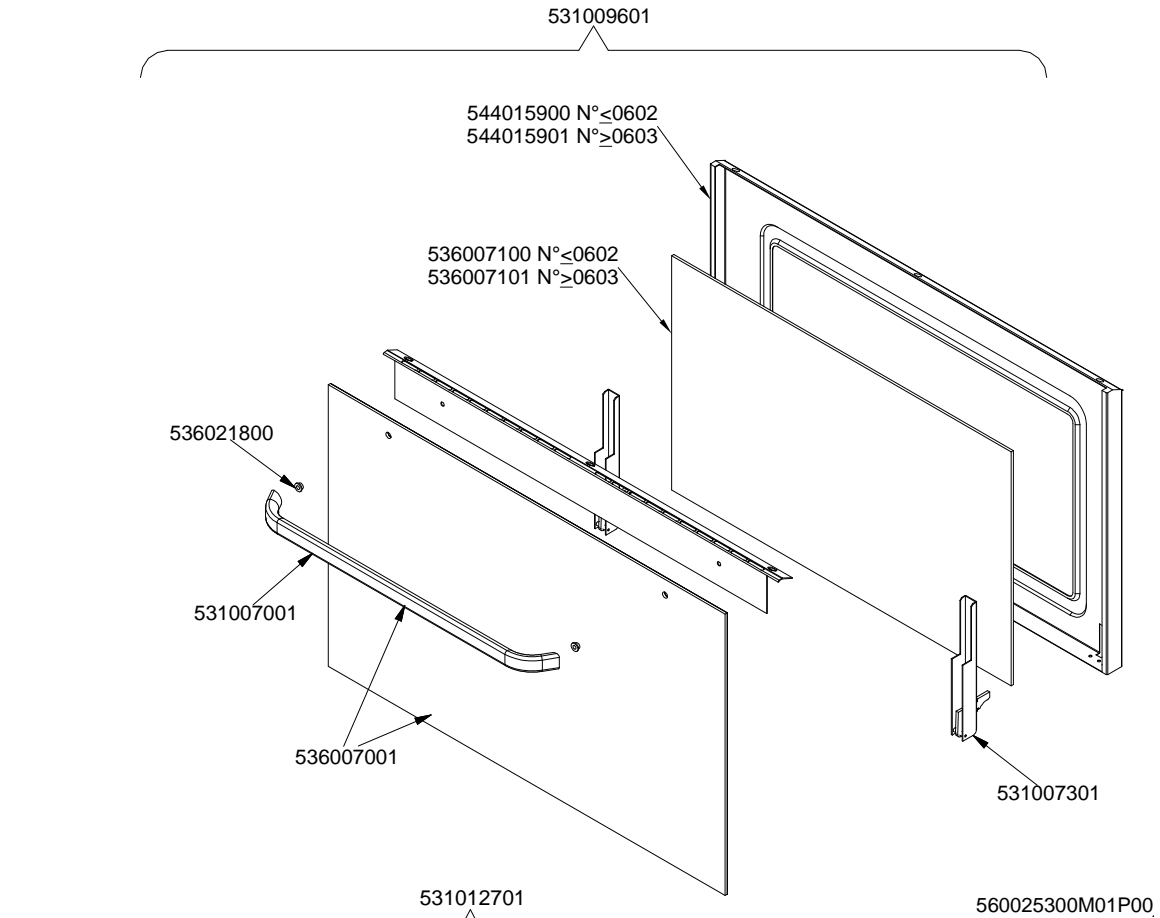


# MAGIC PROF 65

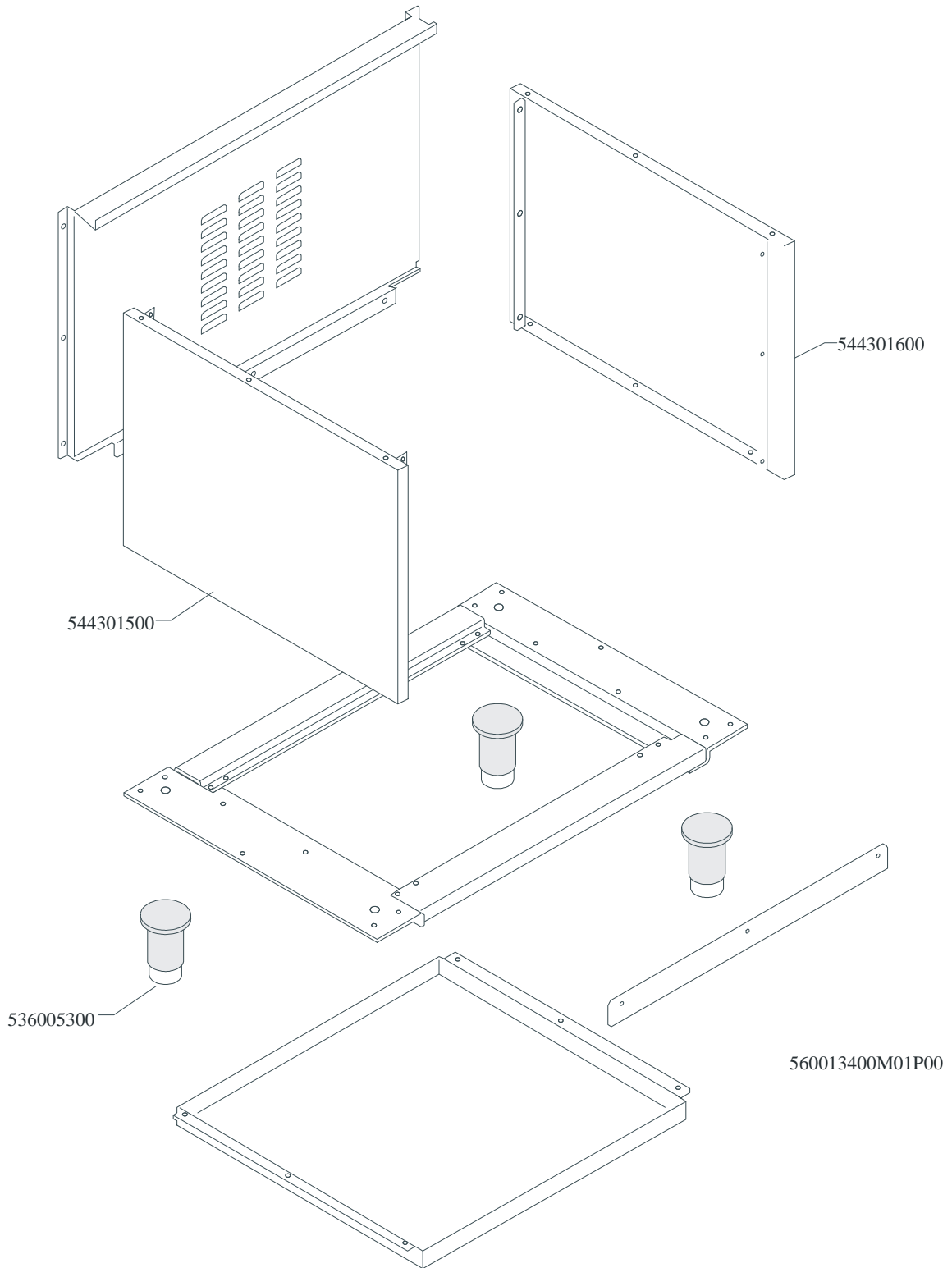
CUCINE / RANGES / HERDE / CUISINIÈRES / N° ≥ 0309

FORNO / OVEN / BACKOFEN / FOUR

## PORTE / DOORS / TÜREN / PORTES ≤ 0705



CF



Page	Pos	Code	Description
001		541042400	
001		537019400	EL. PLATE PCC D250 1000+1400W 230V
001		537012901	ELECTRICAL PLATE 1800W 230W PCC-65
001		541070100	NEUTRAL SPACER 8
001		544263500	RIGHT SIDE S.65
001		537013300	CURRENT REGULATOR FOR ELEC. PLATE
001		544293600	CONTROL PANEL CF4/CFC4-8ET
001		537020001	REMAINING HEAT 4 PILOT LIGHTS UNIT
001		539018900	INDEX FOR KNOB
001		537014100	WHITE WARNING LIGHT 250V
001		536013800	KNOB D.70 BLACK 6*5 WITH SPRING
001		539018000	ADHESIVE GRAD.DISC 7POS.DOUBLE RED
001		537007700	TERMINAL BLOCK THREEPHASE 40A
001		544263600	LEFT SIDE S.65
001		539018500	ADHESIVE GRADUATED DISC FOR KNOB
001		537021500	REGULATOR FOR EL.PLATE 2CIRC.230V
002		537019200	SELECTOR FOR MULTIFUNCTION OVEN
002		539024000	SIGN PLATE FOR OVEN SELECTOR
002		539023800	SIGN PLATE FOR OVEN TIMER
002		536013800	KNOB D.70 BLACK 6*5 WITH SPRING
002		539023300	ADHESIVE GRADUATED DISC FOR KNOB
002		539023500	ADHESIVE GRAD.DISC *E.MULTIF.TERM.
002		537014100	WHITE WARNING LIGHT 250V
002		537014200	GREEN WARNING LIGHT 250V
002		539023400	ADHESIVE GRADUATED DISC F.KNOB
002		537006200	UPPER OVEN HEATING EL.1000+2000W
002		537019300	TIMER FOR MULTIFUNCTION OVEN
002		533079700	LOCK SPRING FOR BULB §3/§4
002		537006800	FAN 240V CF-62
002		533037600	LOCK SPRING FOR BULB
002		537019100	THERMOSTAT FOR MULTIFUNCTION OVEN
002		539023900	SIGN PLATE FOR OVEN TEMPERATURE
002		537019000	CIRCULAR HEATING ELEMENT FOR OVEN
002		534009100	GRILL PROTECTION CF-8/10
002		534009101	
002		537005300	MOTOR FOR SPIT CF-8/10
002		536011300	OVEN GASKET CF-8/10
002		531038100	SPIT FOR MAXI MULTIF. NEW OVEN
002		537005400	OVEN BULB 15W 300°C
002		537007900	OVEN BULB-SOCKET
002		537006300	LOWER OVEN HEATING EL.W1750 230CF8/
002		531013600	SIDE GRID FOR MAXI/VENTILATED OVEN
002		531012401	OVEN DOOR WHEEL HOLDER F.CF-8/10
002		531006700	OVEN GRID FOR CF-8/10
002		534002200	OVEN DRIPPING-PAN CF-8/10
002		536018300	GRIP FOR ROTATING SPIT
003		531009601	COMPLETE GLASS OVEN DOOR
003		544015900	INNER GLASSDOOR OF MAXI OVEN
003		544015901	INNER-DOOR FOR MAXI OVEN *GLASS*
003		536007100	INTERNAL GLASS OVEN DOOR CF-8/10
003		536007101	

<b>Page</b>	<b>Pos</b>	<b>Code</b>	<b>Description</b>
003		536021800	DOOR HANDLE SPACER FOR MAXI OVEN
003		531007001	OVEN GLASS DOOR HANDLE CF-8/10
003		536007001	EXTERNAL GLASS OVEN DOOR CF8/10
003		531007301	DOOR HINGE FOR MAXI OVEN CF-8/10
003		531012701	STAINLESS STEEL OVEN DOOR 60/65LINE
003		544015700	INNER DOOR OF MAXI OVEN
003		544015701	INNER-DOOR FOR MAXI OVEN
003		544074701	S/S MAXI OVEN DOOR PANEL
003		544074702	
004		544301600	RIGHT SIDE FOR 65 RANGE
004		544301500	LEFT SIDE FOR 65 RANGE
004		536005300	PLASTIC LED 2"