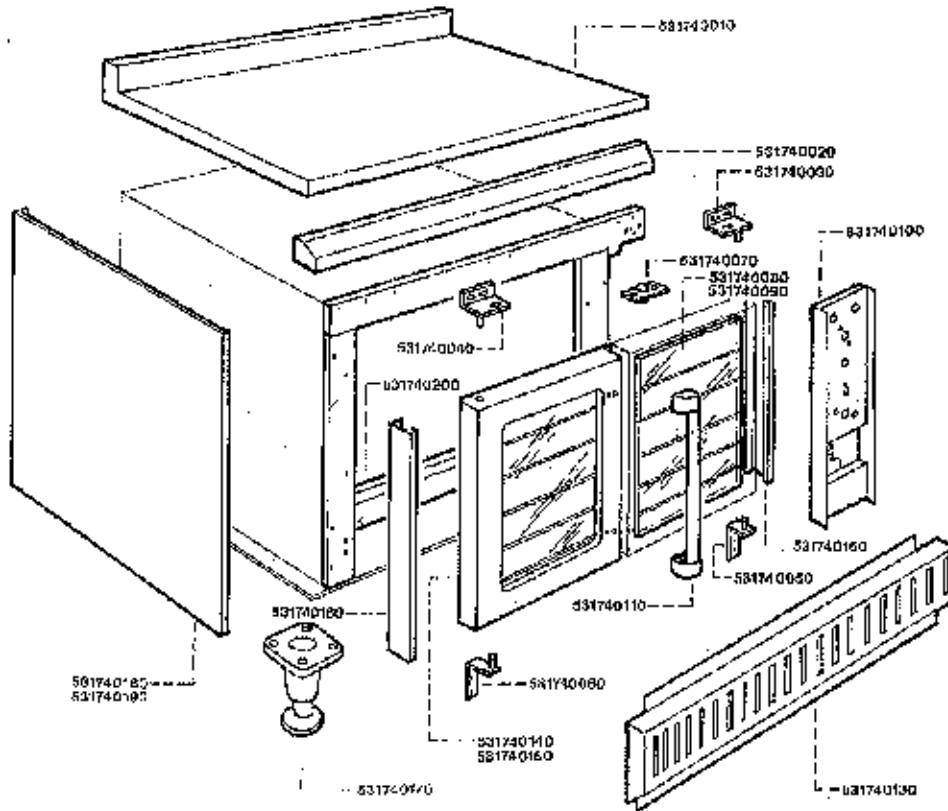


G1112 CONVECTION OVEN

Oven Fitments



Code	No.	Description
9H	53174010	Worktop
1E	53174020	Hinge Cover
2E	53174030	Top Hinge—RH
2E	53174040	Top Hinge—LH
2E	53174050	Bottom Hinge—RH
2E	53174060	Bottom Hinge—LH
6B	53174070	Door Catch
+	53174080	Door Glass—Clear Inner
+	53174090	Door Glass—Lined Outer
9D	531740100	Control Panel
9C	531740110	Door Handle Assembly
12E	531740130	Burner Grille
+	531740140	Door Assembly—RH
+	531740160	Door Assembly—LH
4F	531740180	Front Vertical Trim
9B	531740170	Adjustable Leg c/w foot
2F	531740180	Outer Side Panel—RH
2F	531740190	Outer Side Panel—LH
8H	531740200	Front Frame

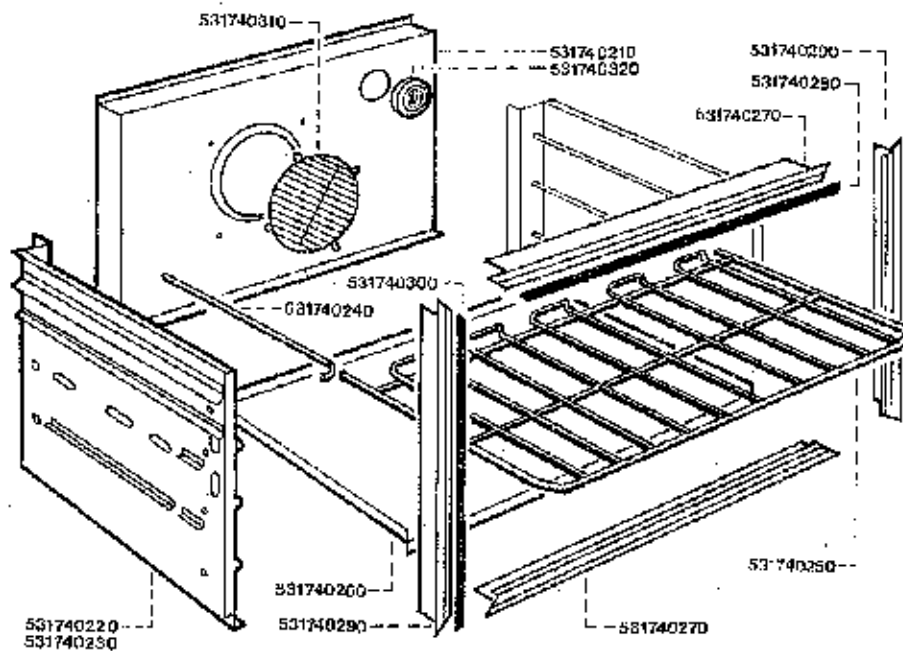
Sheet Reference Number

G1112/0883/001



G1112 CONVECTION OVEN

Inner Oven Fitments



Code	No.	Description
12F	531740210	Oven Back Panel
7F	531740220	Oven Side Panel - RH
7F	531740230	Oven Side Panel - LH
6C	531740240	Shelf Runner
2E	531740250	Grid Shelf
10F	531740260	Oven Bottom Panel
8C	531740270	Horizontal Door Seal Trim
4C	531740280	Horizontal Door Seal
6C	531740290	Vertical Door Seal Trim
3C	531740300	Vertical Door Seal
7D	531740310	Fan Guard
8D	531740320	Oven Lamp Glass

* NOT SHOWN - HEAT EXCHANGER - 531740670

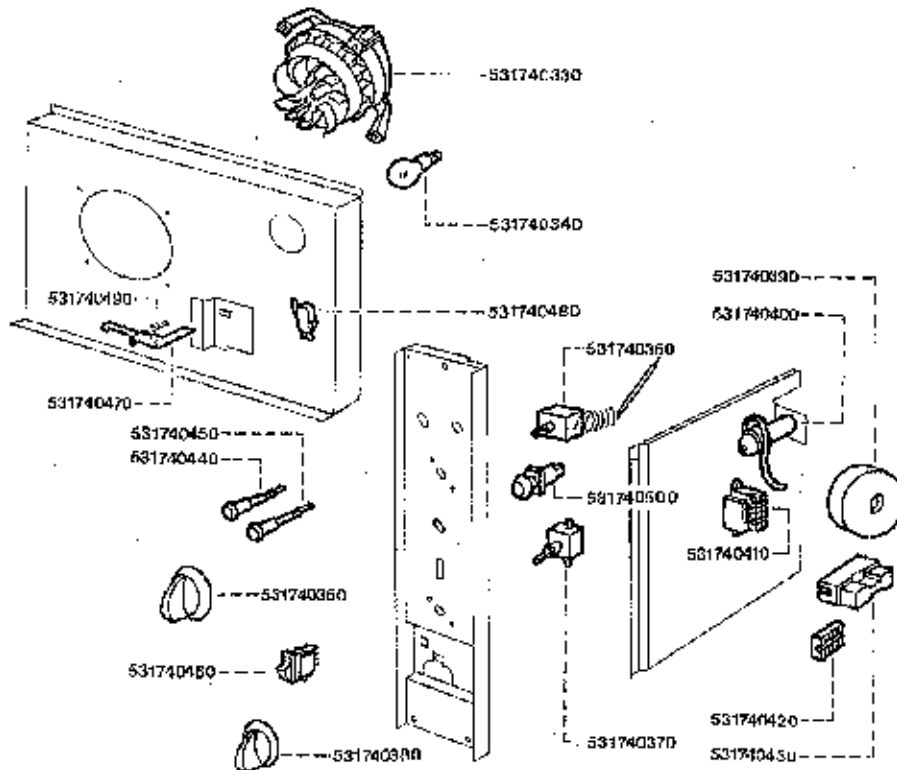
Sheet Reference Number

G1112/0583/002



G1112 CONVECTION OVEN

Oven Electrics



Code	No.	Description
8N	531740330	Fan Motor
4B	531740340	Lamp
8E	531740350	Control Thermostat
6B	531740360	Control Thermostat Knob
11E	531740370	Timer
6R	531740380	Timer Knob
11C	531740390	Ball
2E	531740400	Capacitor
5F	531740410	Transformer
7B	531740420	Terminal Block
3A	531740430	Fuse 5A
7B	531740440	Indicator Lamp — Amber
7B	531740450	Indicator Lamp — Red
9C	531740460	Power ON/OFF Switch
6B	531740470	Trip Lever
10C	531740480	Microswitch
10A	531740490	Spring
10C	531740500	Oven Lamp Switch

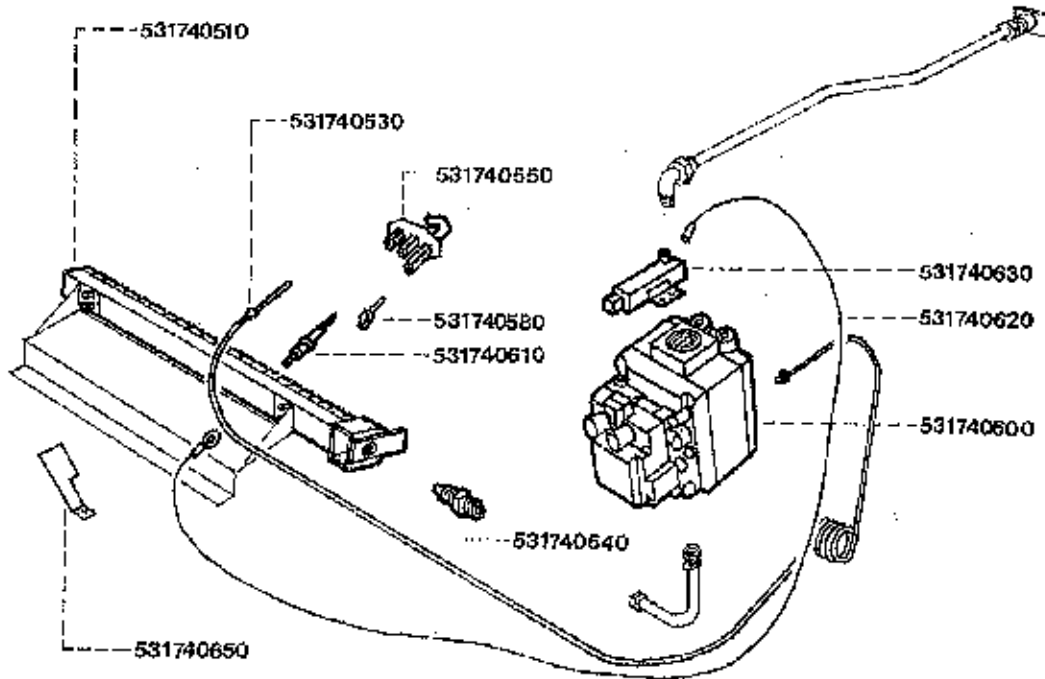
Sheet Reference Number

G1112/0583/003



G1112 CONVECTION OVEN

Oven Controls Nat. Gas



Code	No.	Description
12H	531740510	Burner—Nat. Gas
12C	531740530	Thermocouple
7D	531740550	Pilot Burner—Nat. Gas
1B	531740580	Pilot Jet—Nat. Gas
6H	531740600	Gas Control Valve
3B	531740610	Electrode
3B	531740620	Electrode Lead
10C	531740630	Spark Igniter
1B	531740640	Injector—Nat. Gas
2B	531740650	Minor

Sheet Reference Number

G1112/0583/004

