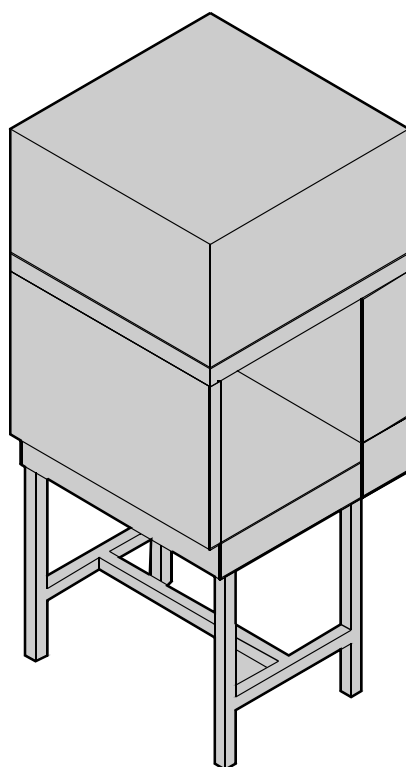


RACK CONVEYOR MACHINE

TYPE: 974

Spare parts manual



1. Spare parts

Time relay	5
Dryer LC 90/2 (12kW) - part 2	7
Dryer LC 90 - LC 90/2 (6 - 12kW) - electric components	9
Dryer LC 90 - LC 90/2 (6 - 12kW) - electric components	11
Dryer LC 90 - LC 90/2 -LC 90/4 (6 - 12 - 18kW) - electric components	13
Dryer LC 90 - LC 90/2 -LC 90/4 (6 - 12 - 18kW) - electric components	15
Dryer LC 90 - LC 90/2 - LC 90/4 (6 - 12 - 18kW) - electric components	17
Dryer LC 90 - LC 90/2 - LC 90/4 (6 - 12 - 18kW) - electric components	19
Dryer LC 90 - LC 90/2 (6 - 12kW) - electric components	21
Dryer LC 90 - LC 90/2 (6 - 12kW) - electric components	23
Motorized curve 90° - LC 97/2	25
Dryer motorized curve 90° - LC 97/4	27
Motorized curve 90° - LC 97/2: electric parts	29
Motorized curve 90° - LC 97/2: electric parts single speed - remote control.....	31

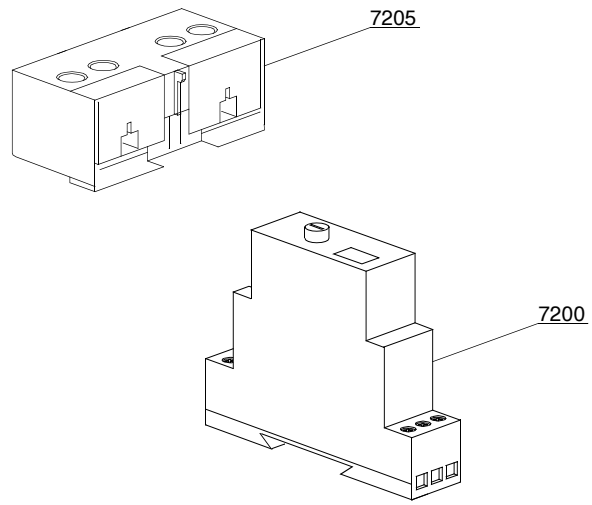
**Motorized curve 90° - LC 97/2: electric parts double speed -
remote control33**

1.1 Voltage codes

Voltage code	Voltage
A	3/N/PE~400/230V 50Hz
B	~250V 16A 50Hz
C	3/N/PE~380/220V 50Hz
D	3/PE~200V 50-60Hz
F	2/PE 220-240V 50Hz
G	3/N/PE~415/240V 50Hz
H	3/PE~230V 50Hz
I	3/PE~220V 60Hz
J	3/PE~380 50Hz
K	3/PE~400V 50Hz
L	3/PE~415V 50Hz
M	3/PE~440V 60Hz
N	3/PE~460V 60Hz
O	3/PE~480V 60Hz
P	1/N/PE~220-240V 50Hz
R	2/PE~220-230V 60Hz
S	3/N/PE~400/230V 50Hz
T	3/PE~230V 60Hz

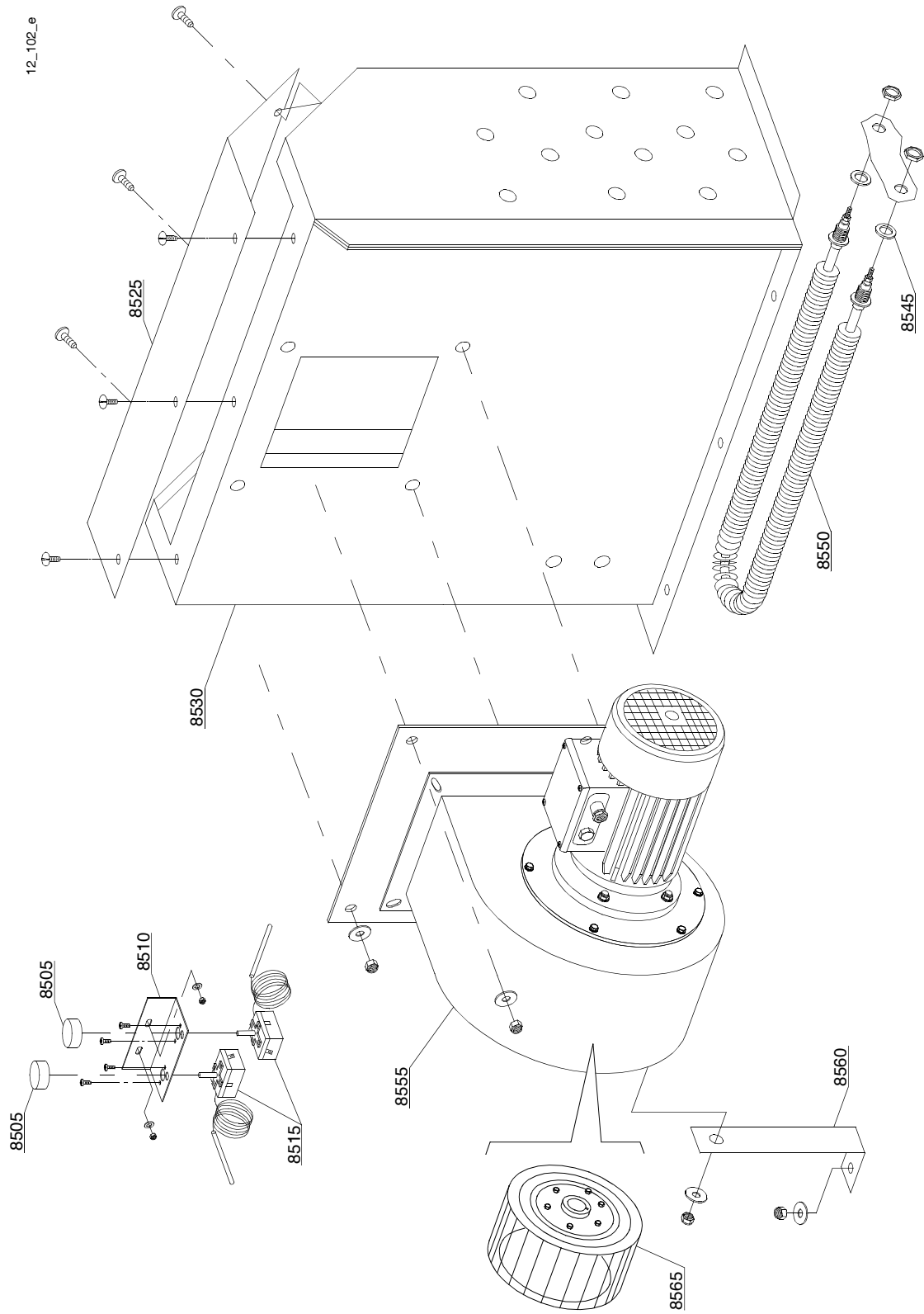
1.2 Product codes

Product code	Full name
Model codes	
Type codes	
974	974
Accessory codes	



07_001_e

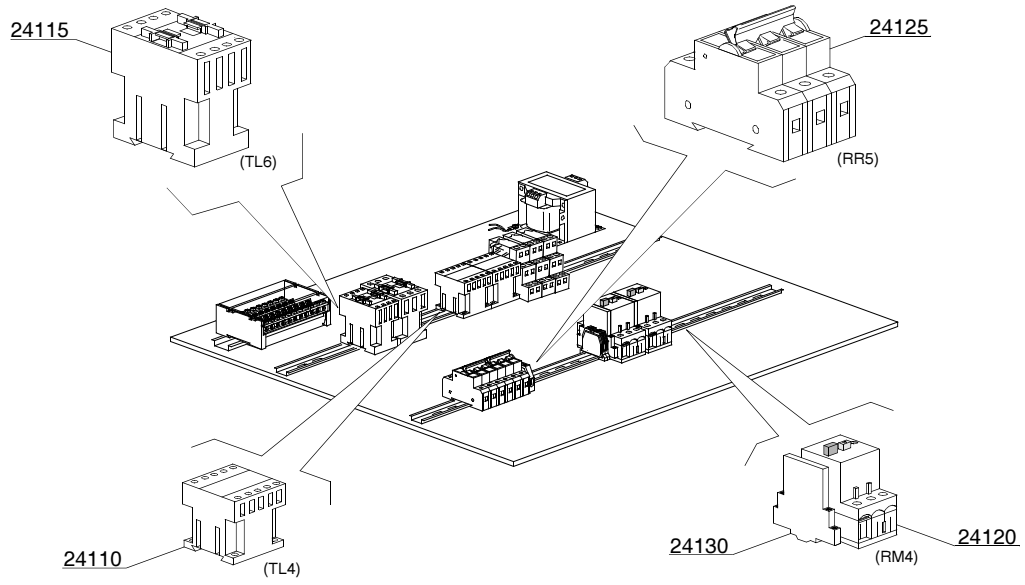
ID	P-code	Model	Type	Accessory	Voltage	Description
MODULE:Time relay						
7200	3006225		34,34HS,22,23,24,25,26,27,28,7 1,71G,39,sc8,sc9,d8,d9,d92,d94, 974,975		A	Time relay 24V
7205	3006068		34,34HS,22,23,24,25,26,27,28,7 1,71G,39,sc8,sc9,d8,d9,d92,d94, 974,975		A	MC9 auxiliary contact 1NO-1NC
7205	3002057		34,34HS,22,23,24,25,26,27,28,7 1,71G,39,sc8,sc9,d8,d9,d92,d94, 974,975		A	MC9 auxiliary contact 2NO
7205	3002052		34,34HS,22,23,24,25,26,27,28,7 1,71G,39,sc8,sc9,d8,d9,d92,d94, 974,975		A	MC9 auxiliary contact 2NC



Spare parts

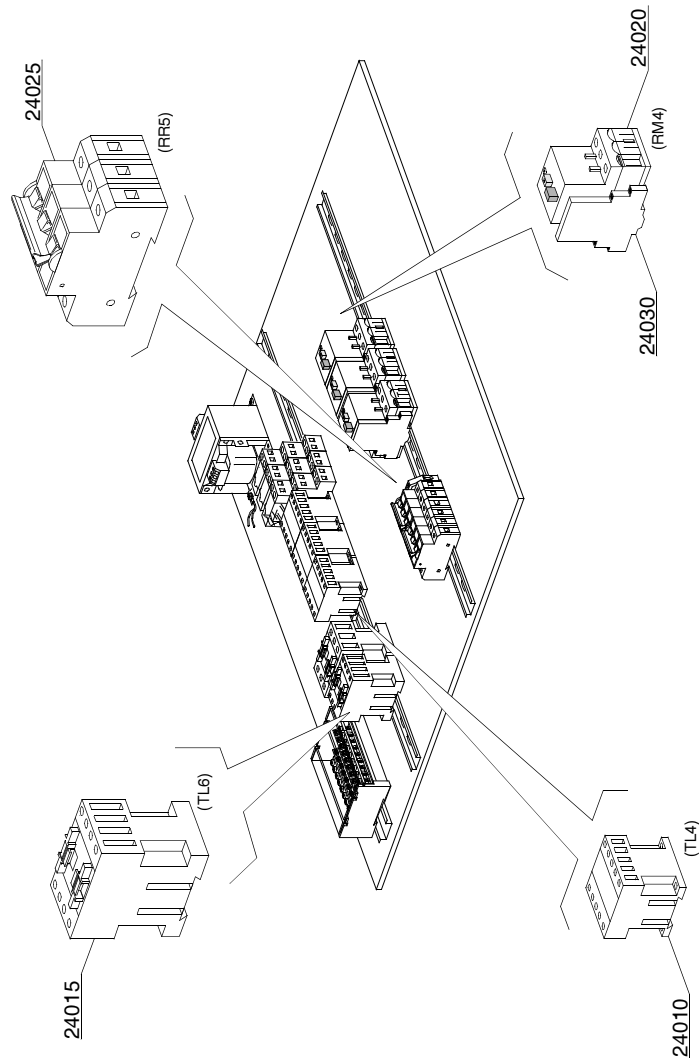
ID	P-code	Model	Type	Accessory	Voltage	Description
MODULE:Dryer LC 90/2 (12kW) - part 2						
8505	15105/A		34,34HS,22,160,23,24,250,25,26,3 80,380L,27,28,540,540L,71,72,d92 ,974,975			Thermostat knob
8510	3009104		34,34HS,22,160,23,24,250,25,26,3 80,380L,27,28,540,540L,71,72,d92 ,974,975			Thermostat support
8515	10707/2		34,34HS,22,160,23,24,250,25,26,3 80,380L,27,28,540,540L,71,72,d92 ,974,975			Thermostat with shaft 0 - 90°
8525	3009085		34,34HS,22,160,23,24,250,25,26,3 80,380L,27,28,540,540L,71,72,d92 ,974,975			Cover drying conveyor
8530	3009488		34,34HS,22,160,23,24,250,25,26,3 80,380L,27,28,540,540L,71,72,d92 ,974,975			Right drying conveyor
8530	3009489		34,34HS,22,160,23,24,250,25,26,3 80,380L,27,28,540,540L,71,72,d92 ,974,975			Left drying conveyor
8545	1020017 1		34,34HS,22,160,23,24,250,25,26,3 80,380L,27,28,540,540L,71,72,d92 ,974,975			Gasket FASIT 25x17x2
8550	2000359		34,34HS,22,160,23,24,250,25,26,3 80,380L,27,28,540,540L,71,72,d92 ,974,975			Drying heating element with nut
8555	3003118		34,34HS,22,160,23,24,250,25,26,3 80,380L,27,28,540,540L,71,72,d92 ,974,975			Motorfan 0.75 kW
8555	3000301		34,34HS,22,160,23,24,250,25,26,3 80,380L,27,28,540,540L,71,72,d92 ,974,975			Motorfan 1,5 kW
8560	3009214		34,34HS,22,160,23,24,250,25,26,3 80,380L,27,28,540,540L,71,72,d92 ,974,975			Motorfan support
8565	3003119		34,34HS,22,160,23,24,250,25,26,3 80,380L,27,28,540,540L,71,72,d92 ,974,975			Pump rotor

112105_e



Spare parts

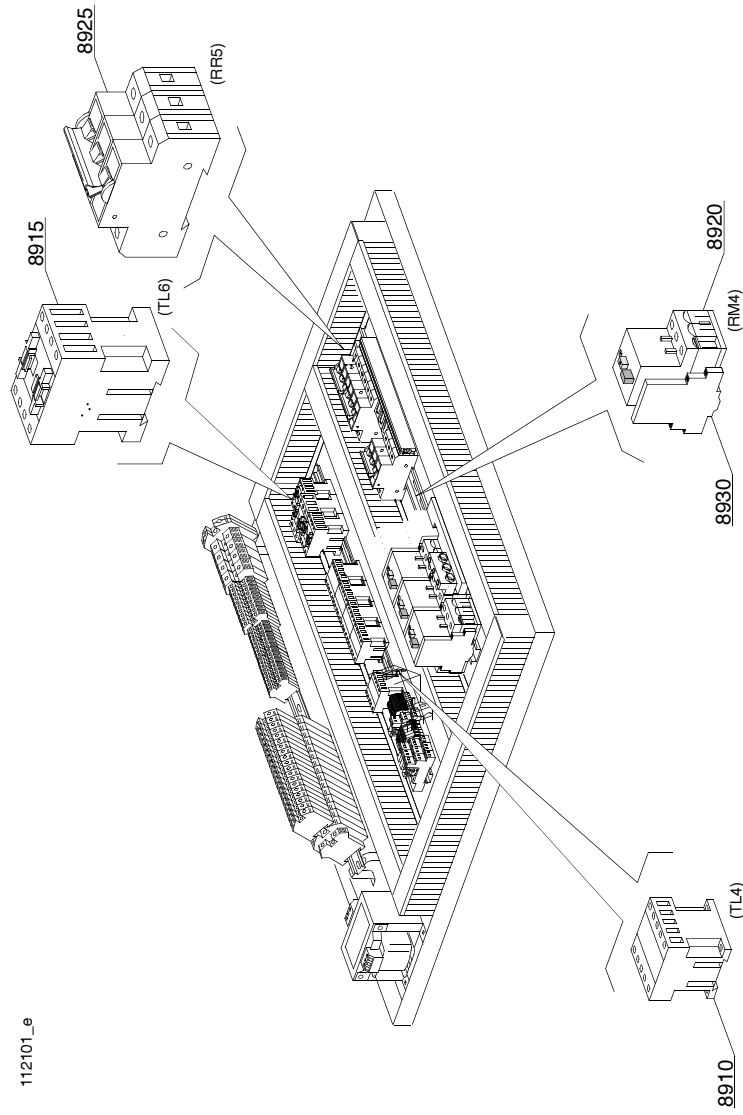
ID	P-code	Model	Type	Accessory	Voltage	Description
MODULE:Dryer LC 90 - LC 90/2 (6 - 12kW) - electric components						
24110	2000370		22,d9,d92,974,975		A	Contactora MC9
24115	2000385		22,160,d92,974,975		A	Contactora BF20 (LC90/2 - 12kW)
24120	2000400		22,160,d92,974,975		A	Motorprotector 4-6,3A (Motorfan 1,5 kW)
24125	2000404		22,160,d92,974,975		A	Automatic fuse C25 (LC90/2 - 12kW)
24130	3006080		22,160,d9,d92,974,975		A	Auxiliary contact LMS25



112104_e

Spare parts

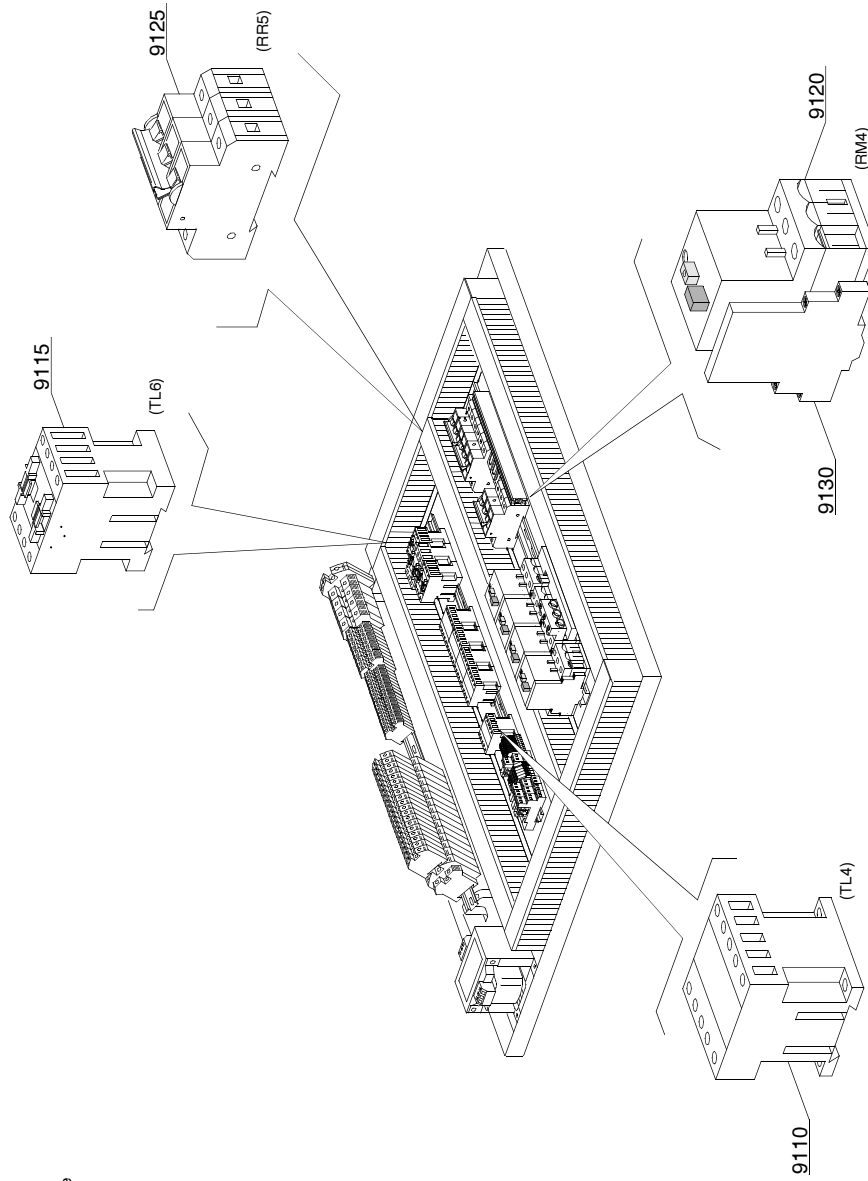
ID	P-code	Model	Type	Accessory	Voltage	Description
MODULE:Dryer LC 90 - LC 90/2 (6 - 12kW) - electric components						
24010	2000370		23,d9,d92,974,975		A	Contactora MC9
24015	2000385		23,d9,d92,974,975		A	Contactora BF20 (LC90/2 - 12kW)
24020	2000400		23,d92,974,975		A	Motorprotector 4-6,3A (Motorfan 1,5 kW)
24025	2000404		23,d92,974,975		A	Automatic fuse C25 (LC90/2 - 12kW)
24030	3006080		23,d9,d92,974,975		A	Auxiliary contact LMS25



112101_e

Spare parts

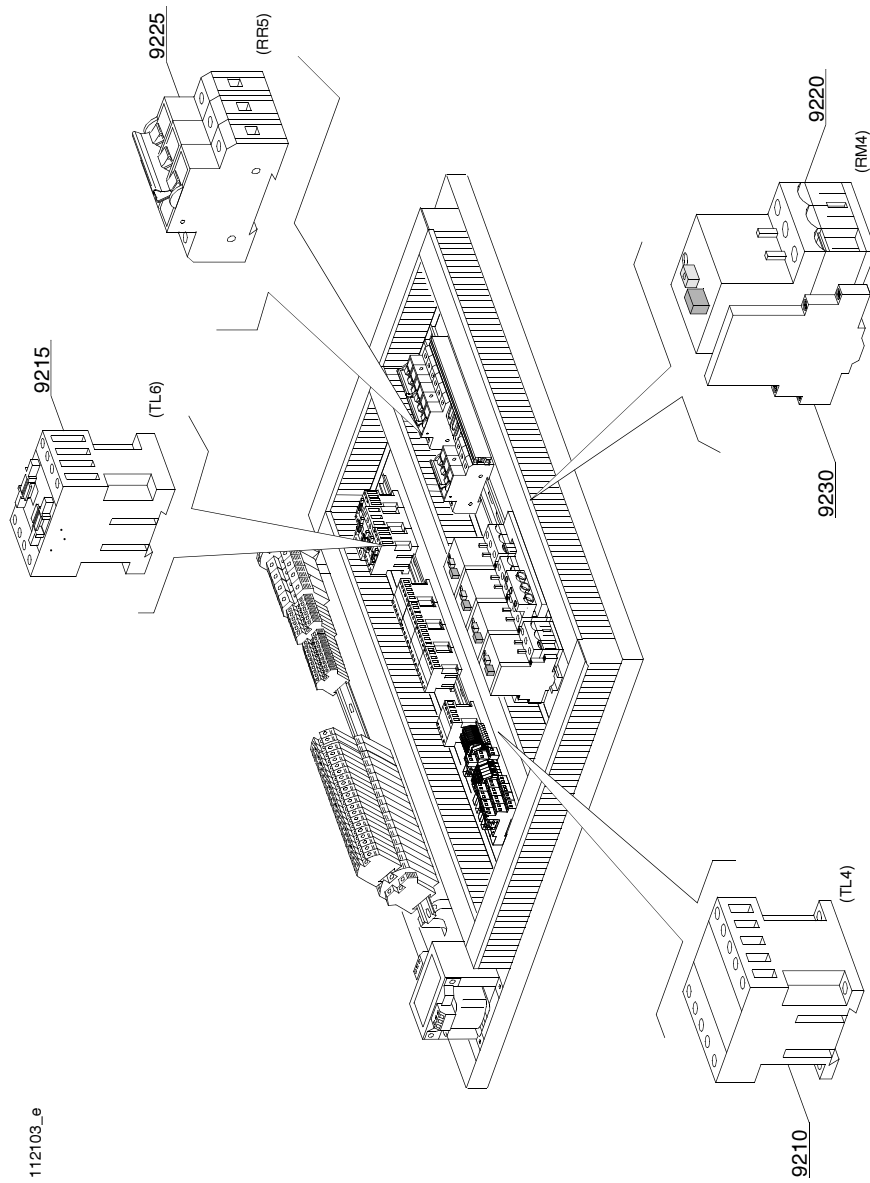
ID	P-code	Model	Type	Accessory	Voltage	Description
MODULE:Dryer LC90 - LC90/2 -LC90/4 (6 - 12 - 18kW) - electric components						
8910	2000370		24,250,d9,d92,974,975,d94		A	Contactora MC9
8915	2000385		24,250,d92,974,975		A	Contactora BF20 (LC90/2 - 12kW)
8920	2000400		24,250,d92,974,975		A	Motorprotector 4-6,3A (Motorfan 1,5 kW)
8925	2000404		24,250,d92,974,975		A	Automatic fuse C25 (LC90/2 - 12kW)
8930	3006080		24,250,d9,d92,974,975,d94		A	Auxiliary contact LMS25



112102_e

Spare parts

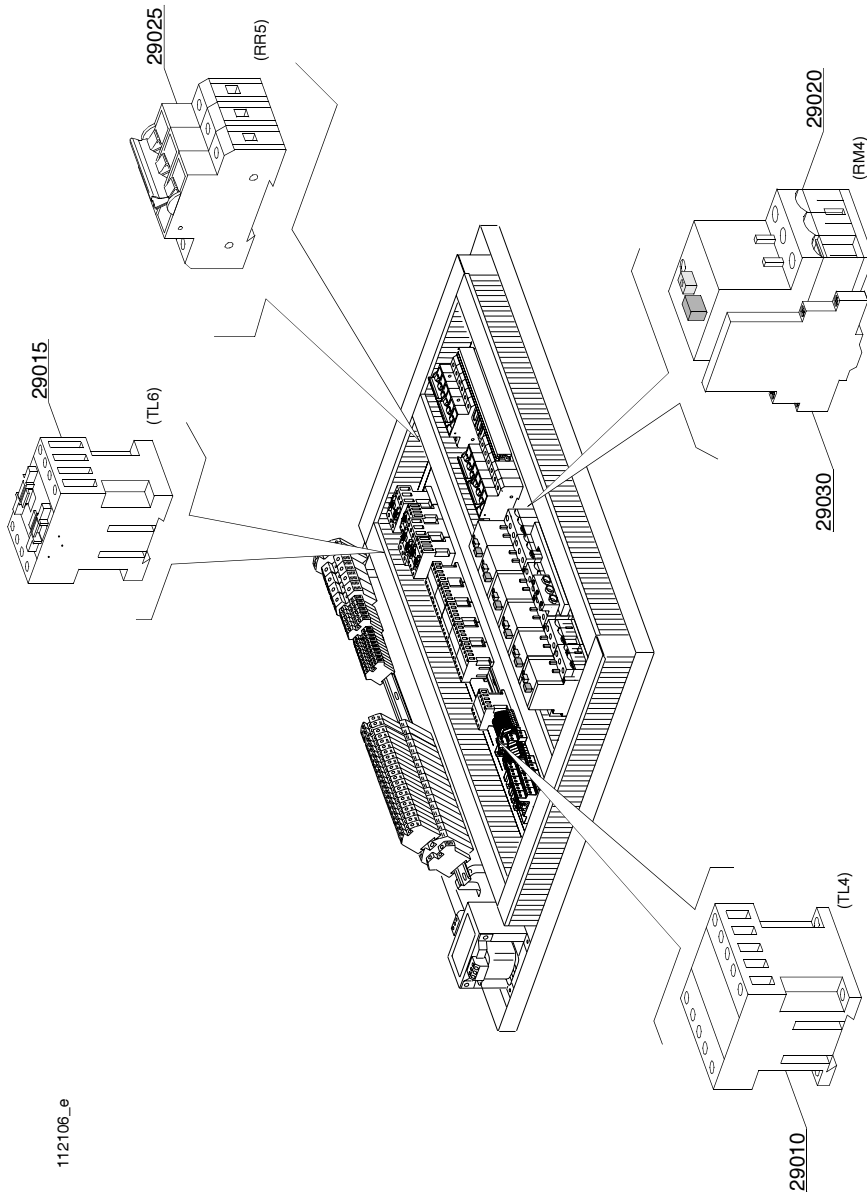
ID	P-code	Model	Type	Accessory	Voltage	Description
MODULE:Dryer LC 90 - LC 90/2 -LC 90/4 (6 - 12 - 18kW) - electric components						
9110	2000370		25,d9,d92,974,975,d94		A	Contactora MC9
9115	2000385		25,d92,974,975		A	Contactora BF20 (LC90/2 - 12kW)
9120	2000400		25,d92,974,975		A	Motorprotector 4-6,3A (Motorfan 1,5 kW)
9125	2000404		25,d92,974,975		A	Automatic fuse C25 (LC90/2 - 12kW)
9130	3006080		25,d9,d92,974,975,d94		A	Auxiliary contact LMS25



112103_e

Spare parts

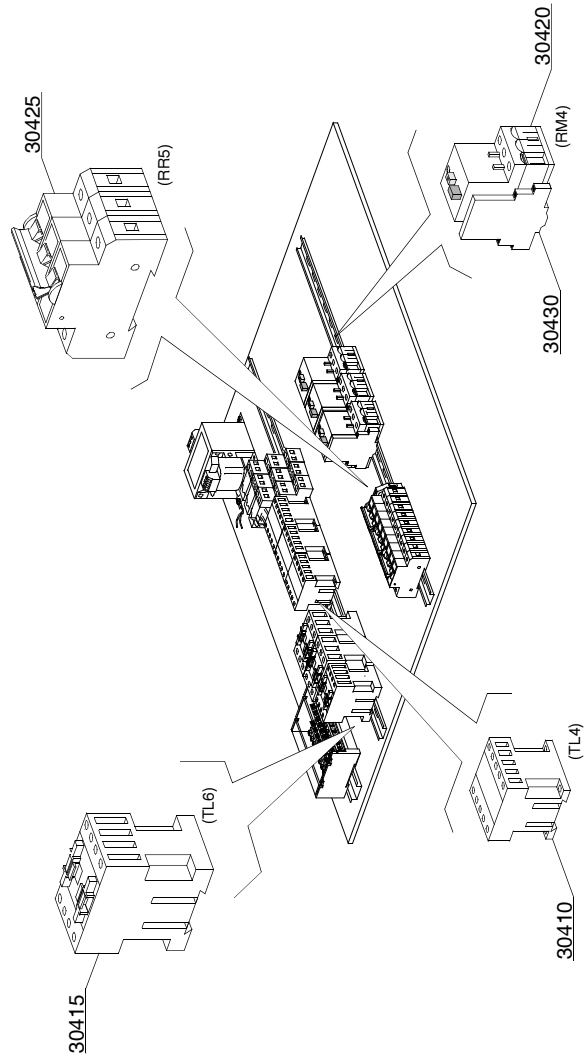
ID	P-code	Model	Type	Accessory	Voltage	Description
MODULE: Dryer LC 90 - LC 90/2 - LC 90/4 (6 - 12 - 18kW) - electric components						
9210	2000370		26,380,380L,d9,d92,974,975,d94		A	Contacteur MC9
9215	2000385		26,380,380L,d92,974,975		A	Contacteur BF20 (LC90/2 - 12kW)
9220	2000400		26,380,380L,d92,974,975		A	Motorprotector 4-6,3A (Motorfan 1,5 kW)
9225	2000404		26,380,380L,d92,974,975		A	Automatic fuse C25 (LC90/2 - 12kW)
9230	3006080		26,380,380L,d9,d92,974,975,d94		A	Auxiliary contact LMS25



Spare parts

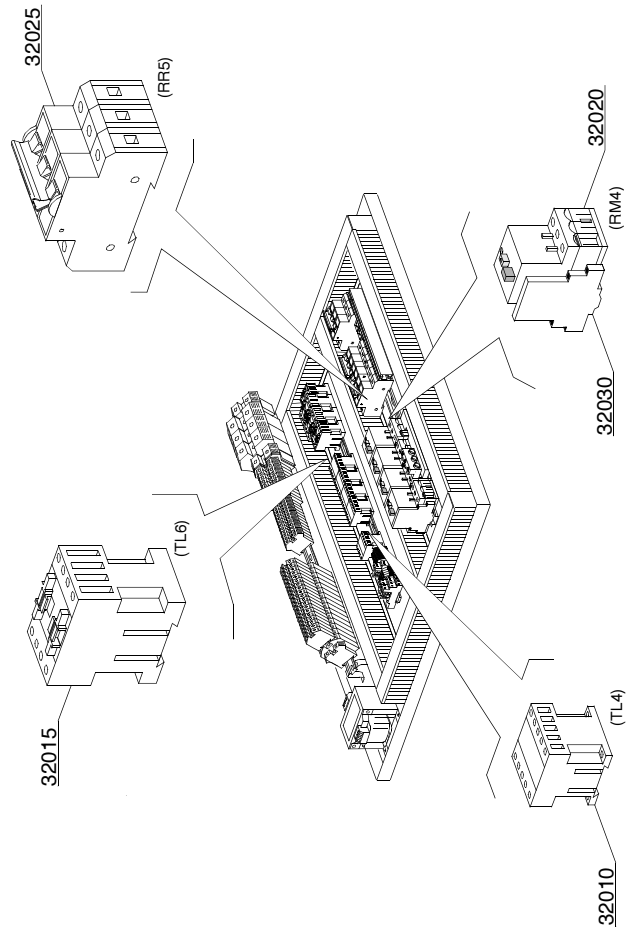
ID	P-code	Model	Type	Accessory	Voltage	Description
MODULE:Dryer LC90 - LC 90/2 - LC90/4 (6 - 12 - 18kW) - electric components						
29010	2000370		27,28,540,540L,d9,d92, 974,975,d94		A	Contactora MC9
29015	2000385		27,28,540,540L,d92,974 ,975		A	Contactora BF20 (LC90/2 - 12kW)
29020	2000400		27,28,540,540L,d92,974 ,975		A	Motorprotector 4-6,3A (Motorfan 1,5 kW)
29025	2000404		27,28,540,540L,d92,974 ,975		A	Automatic fuse C25 (LC90/2 - 12kW)
29030	3006080		27,28,540,540L,d9,d92, 974,975,d94		A	Auxiliary contact LMS25

112107_e



Spare parts

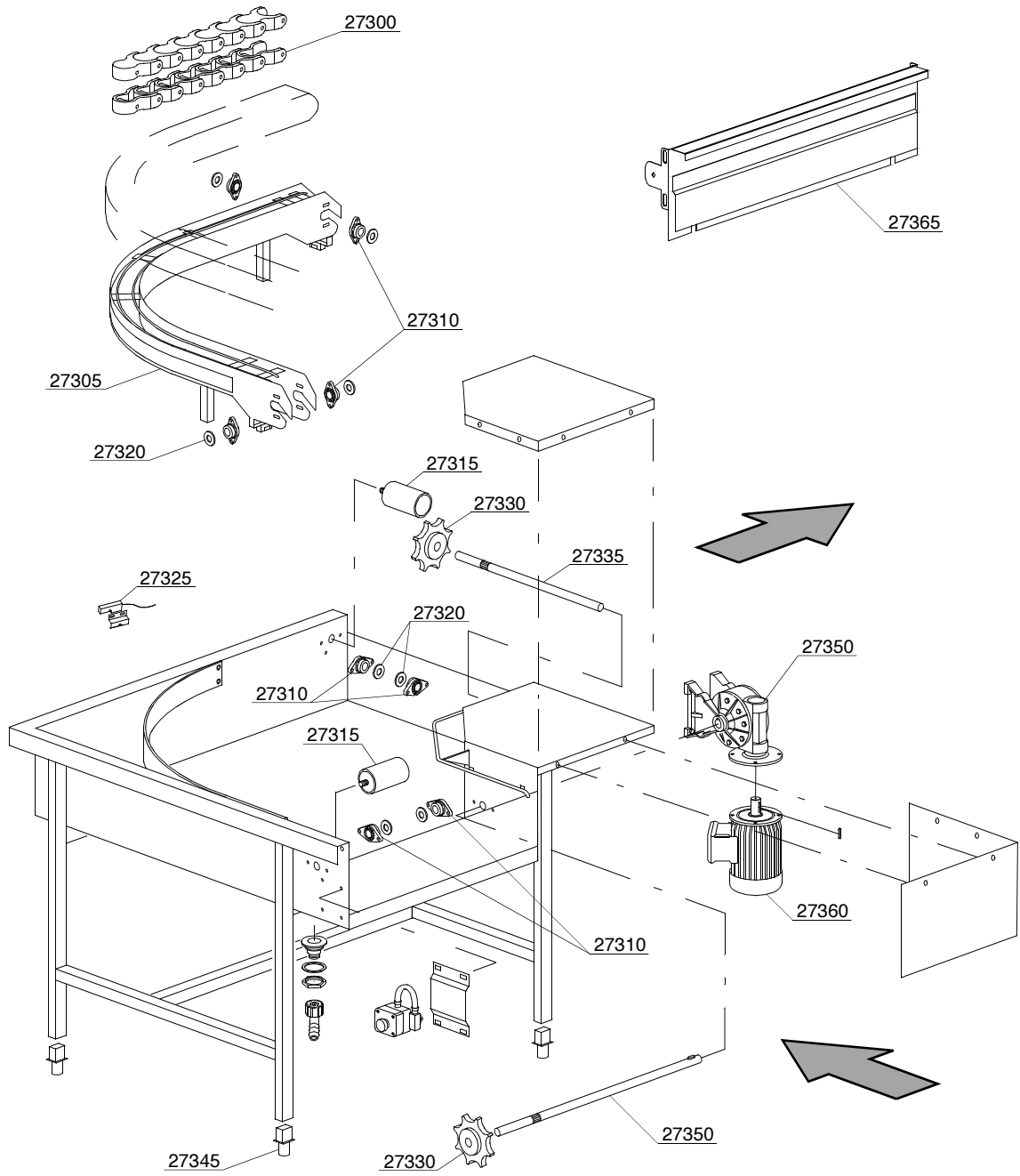
ID	P-code	Model	Type	Accessory	Voltage	Description
MODULE:Dryer LC 90 - LC 90/2 (6 - 12kW) - electric components						
30410	2000370		71,d9,d92,974,975		A	Contactora MC9
30415	2000385		71,d92,974,975		A	Contactora BF20 (LC90/2 - 12kW)
30420	2000400		71,d92,974,975		A	Motorprotector 4-6,3A (Motorfan 1,5 kW)
30425	2000404		71,d92,974,975		A	Automatic fuse C25 (LC90/2 - 12kW)
30430	3006080		71,d9,d92,974,975		A	Auxiliary contact LMS25



112108_e

Spare parts

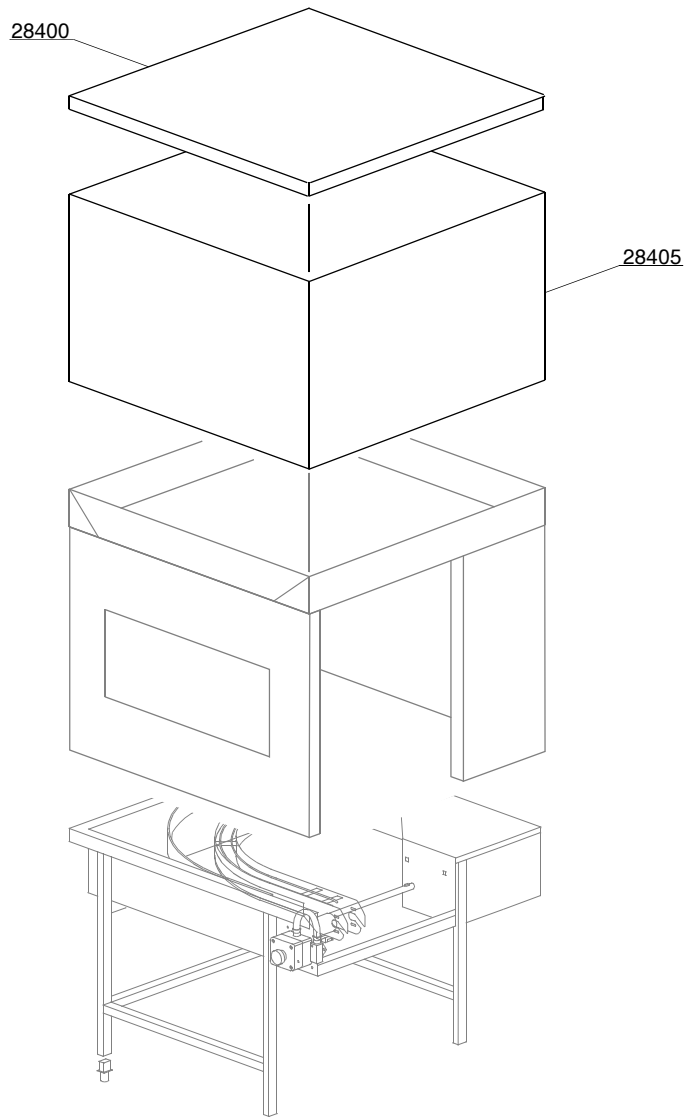
ID	P-code	Model	Type	Accessory	Voltage	Description
MODULE: Dryer LC 90 - LC 90/2 (6 - 12kW) - electric components						
32010	2000370		72,d9,d92,974,975		A	Contactora MC9
32015	2000385		72,d92,974,975		A	Contactora BF20 (LC90/2 - 12kW)
32020	2000400		72,d92,974,975		A	Motorprotector 4-6,3A (Motorfan 1,5 kW)
32025	2000404		72,d92,974,975		A	Automatic fuse C25 (LC90/2 - 12kW)
32030	3006080		72,d9,d92,974,975		A	Auxiliary contact LMS25



15_001_e

Spare parts

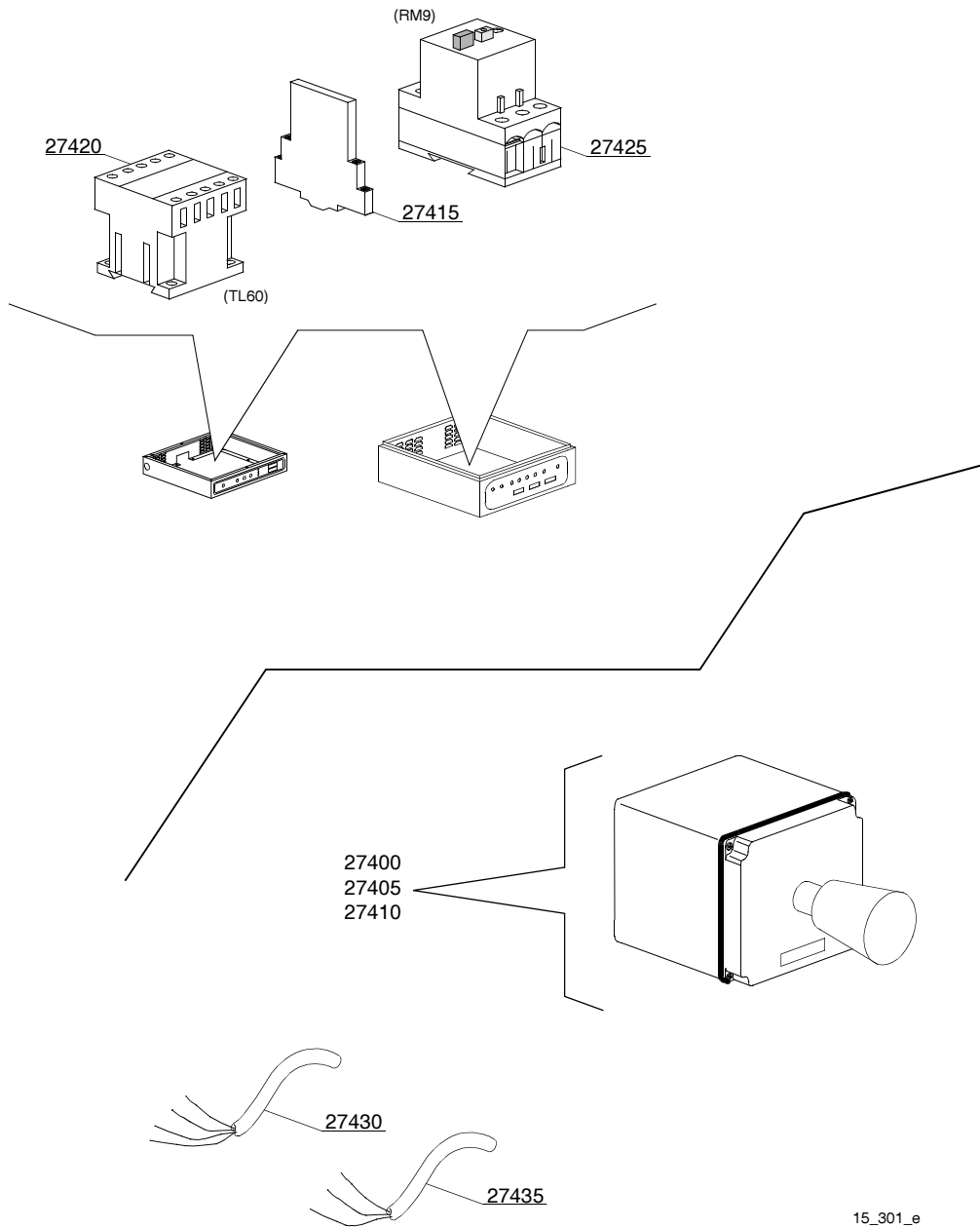
ID	P-code	Model	Type	Accessory	Voltage	Description
MODULE: Motorized curve 90° - LC 97/2						
27300	3000259		34,34HS,22,160,23,24,250,25,26,380,380L,27,28,540,540L,972,974			Chain for roller
27305	3003057		34,34HS,22,160,23,24,250,25,26,380,380L,27,28,540,540L,972,974			Kit guide for chain
27310	3000260		34,34HS,22,160,23,24,250,25,26,380,380L,27,28,540,540L,972,974			Flange for chain
27315	3000262		34,34HS,22,160,23,24,250,25,26,380,380L,27,28,540,540L,972,974			Ø50x80 embossment roller
27320	3003048		34,34HS,22,160,23,24,250,25,26,380,380L,27,28,540,540L,972,974			Spacer for bearings
27325	3003112		34,34HS,22,160,23,24,250,25,26,380,380L,27,28,540,540L,972,974			Door microswitch
27330	3000261		34,34HS,22,160,23,24,250,25,26,380,380L,27,28,540,540L,972,974			8 teeth pinion
27335	3003050		34,34HS,22,160,23,24,250,25,26,380,380L,27,28,540,540L,972,974			Neutral shaft for chain
27345	3000252		34,34HS,22,160,23,24,250,25,26,380,380L,27,28,540,540L,972,974			Adjustable food
27350	3003047		34,34HS,22,160,23,24,250,25,26,380,380L,27,28,540,540L,972,974			Shaft for chain rotation
27350	3000254		34,34HS,22,160,23,250,24,25,972,974			Gear right 1:100
27350	3000250		26,380,380L,27,28,540,540L,972,974			Gear left 1:70
27360	3000102		34,34HS,22,160,972,974		A	Conveyor motor
27360	3000107		23,250,972,974		A	Conveyor motor
27360	3000108		23,250,972,974			Conveyor motor
27360	3000110		24,25,26,380,380L,27,28,540,540L,972,974		A	Conveyor motor
27360	3000109		24,25,26,380,380L,27,28,540,540L,972,974			Conveyor motor
27360	3000251		34,34HS,22,160,23,24,250,25,26,380,380L,27,28,540,540L,972,974		A	Conveyor motor
27365	3009657		34,34HS,972,974			Adapter



15_101_e

Spare parts

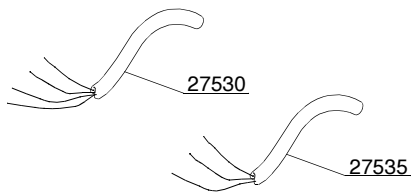
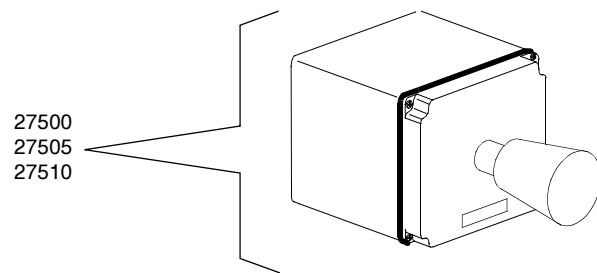
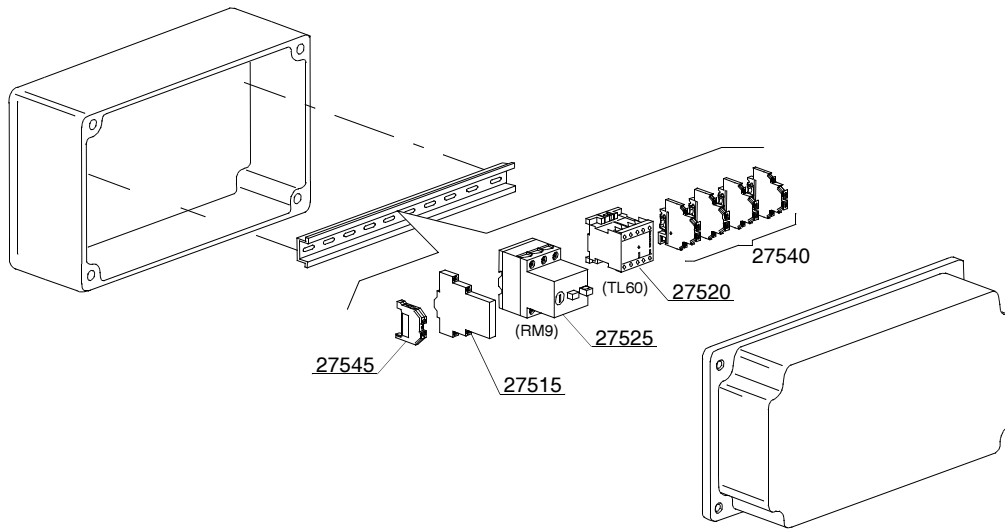
ID	P-code	Model	Type	Accessory	Voltage	Description
MODULE:Dryer motorized curve 90° - LC 97/4						
28400	3009326		34,34HS,22,160,23,24,250,25,26,380,380L,27,28,540,540L,974			Cover panel
28405	3009511		34,34HS,22,160,23,24,250,25,26,380,380L,27,28,540,540L,974			Carter



15_301_e

Spare parts

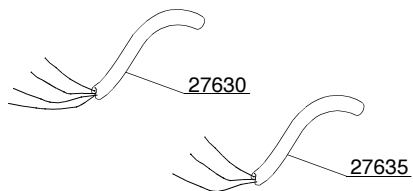
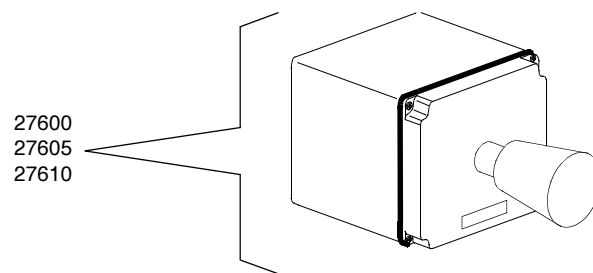
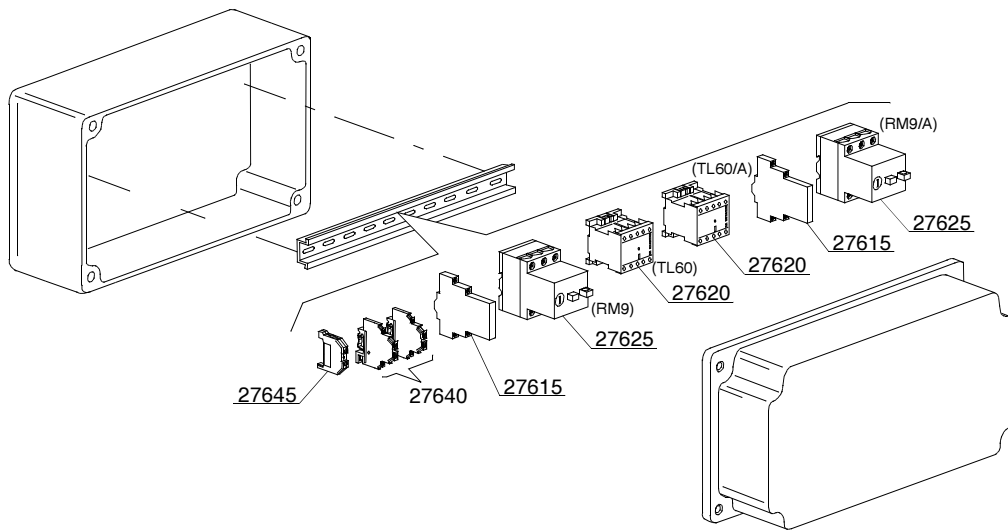
ID	P-code	Model	Type	Accessory	Voltage	Description
MODULE:Motorized curve 90° - LC 97/2: electric parts						
27400	3000264		34,34HS,22,160,23,24,250,25,26,3 80,380L,27,28,540,540L,972,974			Emergency box
27405	3000263		34,34HS,22,160,23,24,250,25,26,3 80,380L,27,28,540,540L,972,974			Emergency switch
27410	3002059		34,34HS,22,160,23,24,250,25,26,3 80,380L,27,28,540,540L,972,974			1R contact
27415	3006080		34,34HS,22,160,23,24,250,25,26,3 80,380L,27,28,540,540L,972,974			Auxiliary contact LMS25
27420	2000370		34,34HS,22,160,23,24,250,25,26,3 80,380L,27,28,540,540L,972,974			Contacteur MC9
27425	2000390		34,34HS,22,160,23,24,250,25,26,3 80,380L,27,28,540,540L,972,974			Motorprotector 1 - 1.6A
27430	3006134		34,34HS,22,160,23,24,250,25,26,3 80,380L,27,28,540,540L,972,974			Flame-retardant cable 4x1,5mm
27435	3006136		34,34HS,22,160,23,24,250,25,26,3 80,380L,27,28,540,540L,972,974			Flame-retardant cable 3x1mm



15_302_e

Spare parts

ID	P-code	Model	Type	Accessory	Voltage	Description
MODULE:Motorized curve 90° - LC 97/2: electric parts single speed - remote control						
27500	3000264		34,34HS,22,160,972,974			Emergency box
27505	3000263		34,34HS,22,160,972,974			Emergency switch
27510	3002059		34,34HS,22,160,972,974			1R contact
27515	3006080		34,34HS,22,160,972,974			Auxiliary contact LMS25
27520	2000370		34,34HS,22,160,972,974			Contacteur MC9
27525	2000390		34,34HS,22,160,972,974			Motorprotector 1 - 1.6A
27530	3006134		34,34HS,22,160,972,974			Flame-retardant cable 4x1,5mm
27535	3006136		34,34HS,22,160,972,974			Flame-retardant cable 3x1mm
27540	3006092		34,34HS,22,160,972,974			Clamp 4mm
27545	10300401		34,34HS,22,160,972,974			Earth clamp 4mm



15_303_e

Spare parts

ID	P-code	Model	Type	Accessory	Voltage	Description
MODULE:Motorized curve 90° - LC 97/2: electric parts double speed - remote control						
27600	3000264		23,24,250,25,26,380,380L,27,28,540,540L,972,974			Emergency box
27605	3000263		23,24,250,25,26,380,380L,27,28,540,540L,972,974			Emergency switch
27610	3002059		23,24,250,25,26,380,380L,27,28,540,540L,972,974			1R contact
27615	3006080		23,24,250,25,26,380,380L,27,28,540,540L,972,974			Auxiliary contact LMS25
27620	2000370		23,24,250,25,26,380,380L,27,28,540,540L,972,974			Contacteur MC9
27625	2000390		23,24,250,25,26,380,380L,27,28,540,540L,972,974			Motorprotector 1 - 1.6A
27630	3006134		23,24,250,25,26,380,380L,27,28,540,540L,972,974			Flame-retardant cable 4x1,5mm
27635	3006136		23,24,250,25,26,380,380L,27,28,540,540L,972,974			Flame-retardant cable 3x1mm
27640	3006092		23,24,250,25,26,380,380L,27,28,540,540L,972,974			Clamp 4mm
27645	10300401		23,24,250,25,26,380,380L,27,28,540,540L,972,974			Earth clamp 4mm