

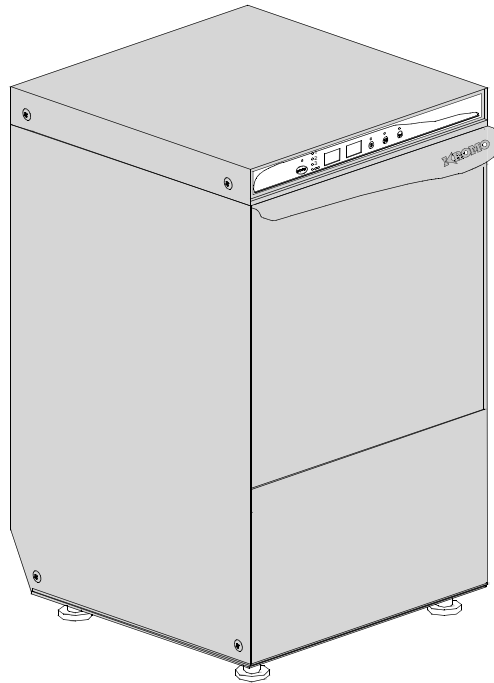
DISHWASHER

ELECTRONICAL SWITCHES
LOWER AND UPPER WASHING

TYPE: LUX61

Accessories
BREAK TANK
BOOSTER PUMP
DVGW
DETERGENT DISPENSER
DRAIN PUMP

Spare parts manual



Parti di ricambio Spare Parts Catalogues pièces

INFORMAZIONI GENERALI

Questo catalogo serve per richiedere con esattezza le parti di ricambio

Nelle ordinazioni indicare:

1) il numero dei codici dei particolari seguito dalla descrizione e la quantità desiderata;

2) Il codice alfa-numeric presente nella seconda colonna della tabella ;

I disegni delle parti di ricambio sono solo indicativi e non rappresentano il pezzo in oggetto.

I dati contenuti in questo catalogo sono indicativi e possono essere soggetti a modifiche senza impegno di preavviso.

ALLGEMEINE INFORMATIONEN

Dieser Ersatzteilkatalog dient zur genauen Angabe der Teile bei Ersatzteilbestellungen.

Bei Ersatzbestellung ist folgendes anzugeben:

1) Die Bestellnummer der Ersatzteile mit der entsprechenden Beschreibung genaue Menge;

2) Der alpha-numerischer Code auf der zweiten Reihe in dein Spalte;

Die Zeichnungen der Ersatzteile sind nur als Hinweise gedacht und stellen nicht das betroffene Teil dar.

Bei den im Katalog angeführten Daten handelt es sich um Anhaltsdaten, die jederzeit, ohne Vorankündigung, geändert werden können.

GENERAL INFORMATION

The present spare parts order exactly the right spare parts

When ordering specify:

1) the part's code number followed by its description and quantity needed;

2) The alpha-numeric code is in the second column in the chart;

Spare parts drawings are general and do not represent the part.

The contents of this catalogue are general and can undergo changes without prior notice.

INFORMACIONES GENERALES

El presente catálogo sirve para pedir con exactitud las partes de repuesto

En los pedidos se debe indicar:

1) el número de código de la parte y a continuación la descripción cantidad deseada;

2) El código alfanumérico presente en la signada columna de la tabla;

Los diseños de las partes de recambio son solo indicativos y no representan la pieza en cuestión.

Los datos contenidos en el presente catálogo son indicativos y pueden modificarse sin aviso previo.

INFORMATIONS GENERALES

Ce catalogue permet de commander correctement les pièces détachées

Les commandes doivent être passées en indiquant:

1) le numero de code des pièces détachés suivi de leur description quantité désirée;

2) le code alphanumérique dans la deuxième colonne du tableau;

Les plans des pièces détachées sont fournis seulement à titre indicatif et ne représentent pas la pièce concernée.

Les données de ce catalogue sont citées seulement à titre indicatif et peuvent être l'objet de modifications sans avis préalable.

ESEMPIO EXAMPLE EXEMPLE BEISPIEL

Rif.	Codici
MODULE:Particolari	
10505	540903
10510	540908
10515	15065/A
10520	540086
10525	540028

Note

Tutte le informazioni riportate si intendono aggiornate alla data di stampa. Il Produttore si riserva il diritto di apportare qualsiasi modifica richiesta dallo sviluppo evolutivo dei suddetti prodotti.

Per la sicurezza, la garanzia, l'affidabilità ed il valore della lavastoviglie usa solo ricambi originali.

Attenzione

Questo libretto è parte integrante della lavastoviglie e, in caso di passaggio di proprietà, deve essere consegnato al nuovo acquirente.

Note

The information contained herein is valid at the time of going to print. The Company reserves the right to make any changes required by the future development of the above-mentioned products.

For your safety, as well as to preserve the warranty reliability and worth of your dishwashers, use original spare parts only.

Warning

This manual forms an integral part of the dishwashers and - if a transfer of title occurs - must always be handed over to the new owner.

Remarque

Toutes les informations contenues dans ce manuel s'entendent mises à jour à la date d'impression. En raison du développement constant de ses produits, usine se réserve le droit d'apporter à tout instant les modifications qu'elle jugera utiles.

Pour la sécurité, la garantie, la fiabilité et la valeur de votre lave-vaisselles n'utilisez que des pièces de rechange d'origine.

Attention

Ce manuel doit être considéré comme partie intégrante de la lave-vaisselles, en cas de transfert de propriété, doit toujours être remis au nouveau propriétaire.

Hinweis

Die Der Hersteller behält sich das Recht vor, jegliche, durch eine Weiterentwicklung der genannten Produkte bedingte Änderungen vornehmen zu können.

Verwenden Sie für Ihre Sicherheit, die Garantie, die Zuverlässigkeit und den Wert Ihrer machine originale Ersatzteile.

Achtung

Diese Betriebsanleitung ist Bestandteil des machine und muss bei seinem Weiterverkauf dem neuen Besitzer ausgehändigt werden.

1. Spare parts

General body parts.....	7
Lockup system	9
Electric control components.....	11
Electric control ELEKTRO.....	13
Solenoid valve group	15
Break Tank	17
Booster pump.....	19
DVGW	21
Rinse aid dispenser group.....	23
Boiler group	25
3 ways connection	27
Wash pump	29
Dosing detergent group.....	31
Drain pump group.....	33
Pressure switch group with air trap ...	35
Turret group with rotating arms	37

1.1 Voltage codes

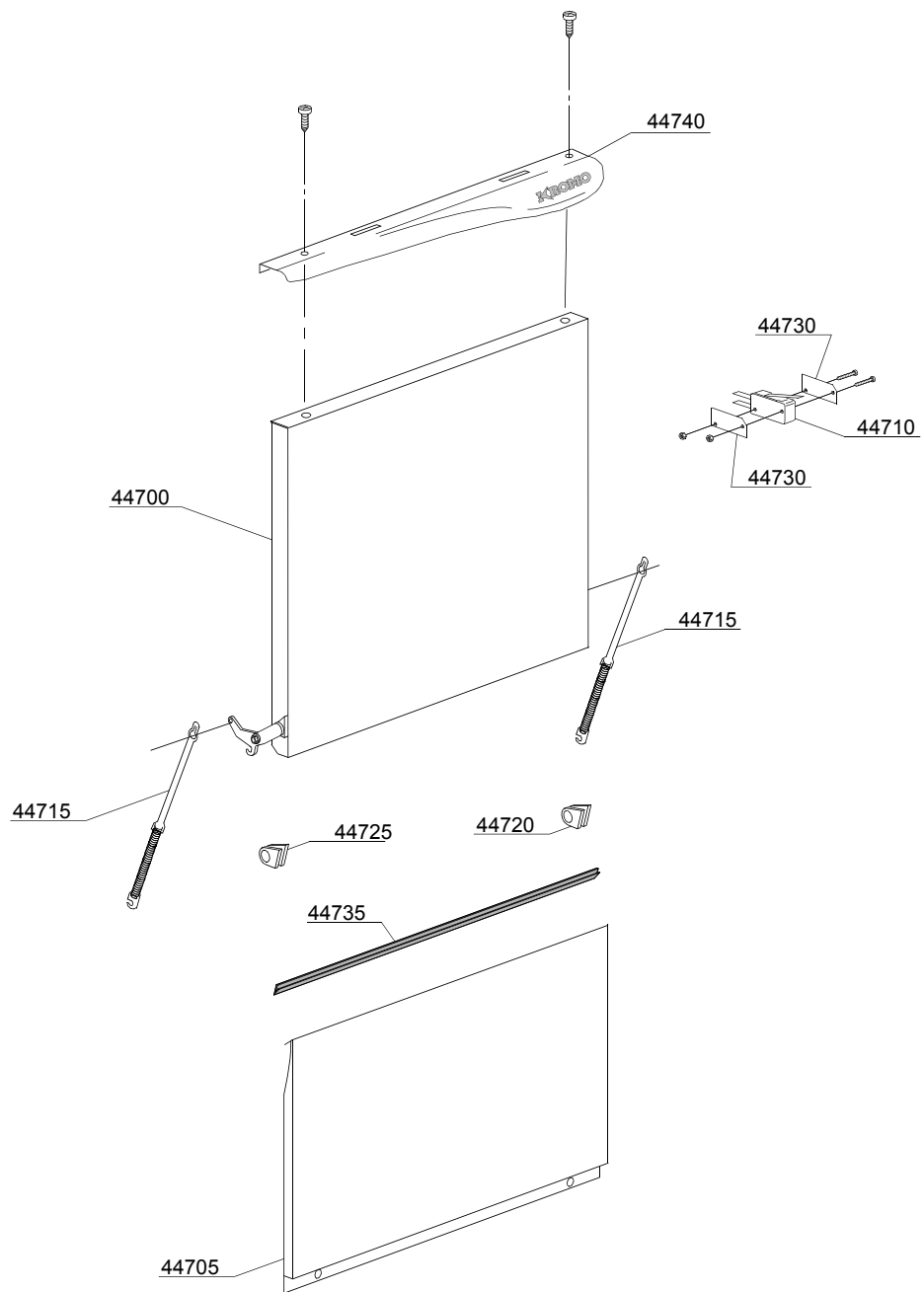
Voltage code	Voltage
A	3/N/PE~400/230V 50Hz
B	~250V 16A 50Hz
C	3/N/PE~380/220V 50Hz
D	3/PE~200V 50-60Hz
F	2/PE 220-240V 50Hz
G	3/N/PE~415/240V 50Hz
H	3/PE~230V 50Hz
I	3/PE~220V 60Hz
J	3/PE~380 50Hz
K	3/PE~400V 50Hz
L	3/PE~415V 50Hz
M	3/PE~440V 60Hz
N	3/PE~460V 60Hz
O	3/PE~480V 60Hz
P	1/N/PE~220-240V 50Hz
R	2/PE~220-230V 60Hz
S	3/N/PE~400/230V 50Hz
T	3/PE~230V 60Hz

1.2 Product codes

Product code	Full name
Model codes	
ec	ELECTRONICAL SWITCHES
ls	LOWER AND UPPER WASHING
Type codes	
LUX61	LUX61
Accessory codes	
bt	BREAK TANK
pap	BOOSTER PUMP
dvgw	DVGW
dde	DETERGENT DISPENSER
ps	DRAIN PUMP

Spare parts

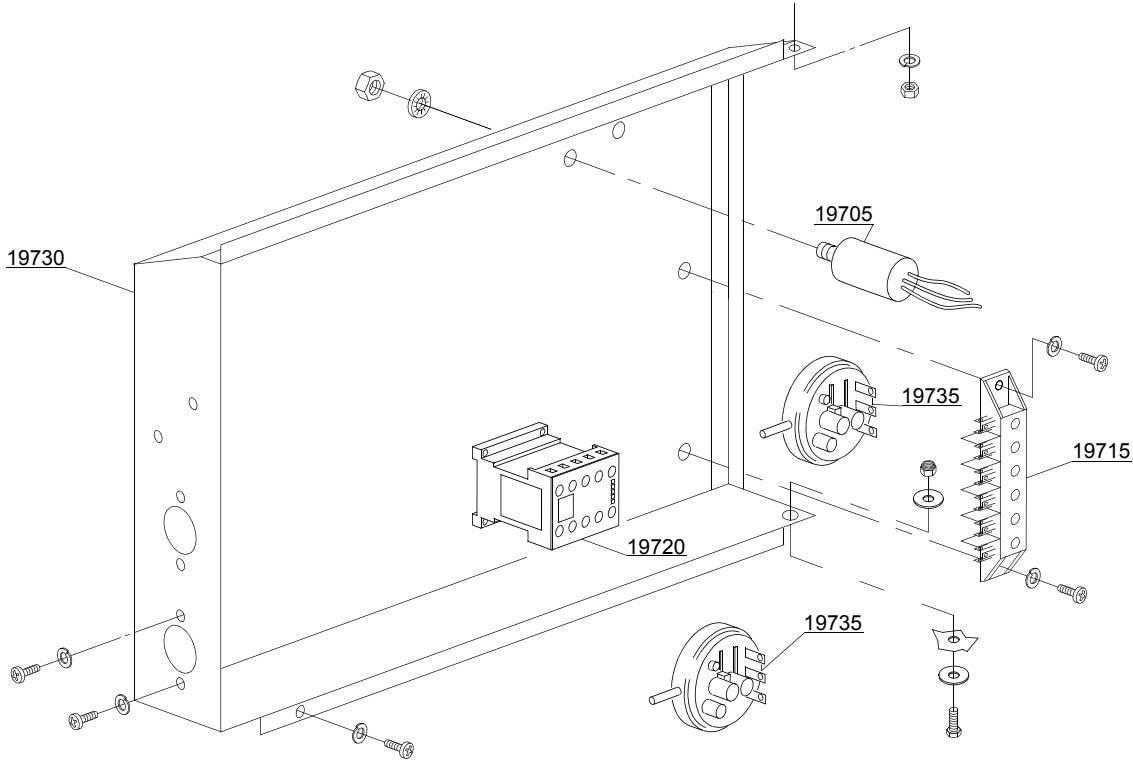
ID	P-code	Model	Type	Accessory	Voltage	Description
MODULE:General body parts						
4300	560917		LUX61			Cover
4305	560919		LUX61			Back panel
4305	560938		LUX61	bt		Back panel
4315	15065/A		LUX61			Cable-fastener with screw
4320	561009		LUX61			Surface filter
4325	540406		LUX61			0,4/0,44 kW 230/240V heating element
4330	560914		LUX61			Right side
4335	560915		LUX61			Left side
4340	10786		LUX61			M10x25 Ø40 black foot
4340	15176		LUX61			M10 marina foot
4345	560021		LUX61			Profile for door O-ring
4365	11711		LUX61			M10 zinc plated nut
4370	13317		LUX61			Ø40mm lead through rubber
4375	13323		LUX61			Ø13mm lead through rubber



02_128_e

Spare parts

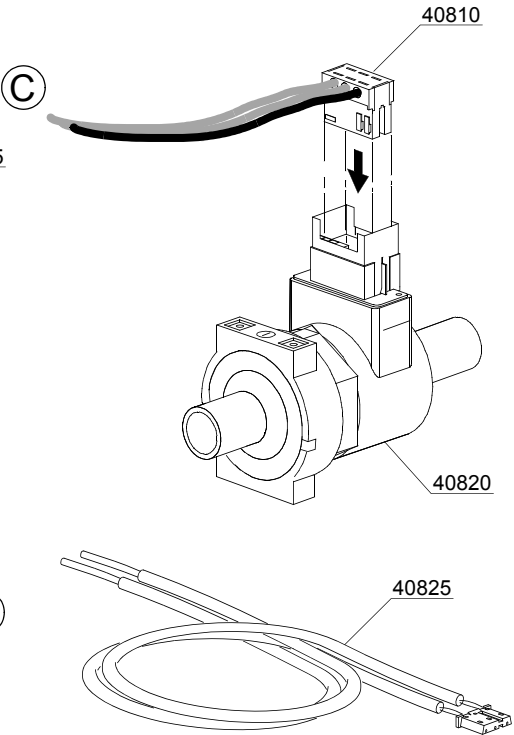
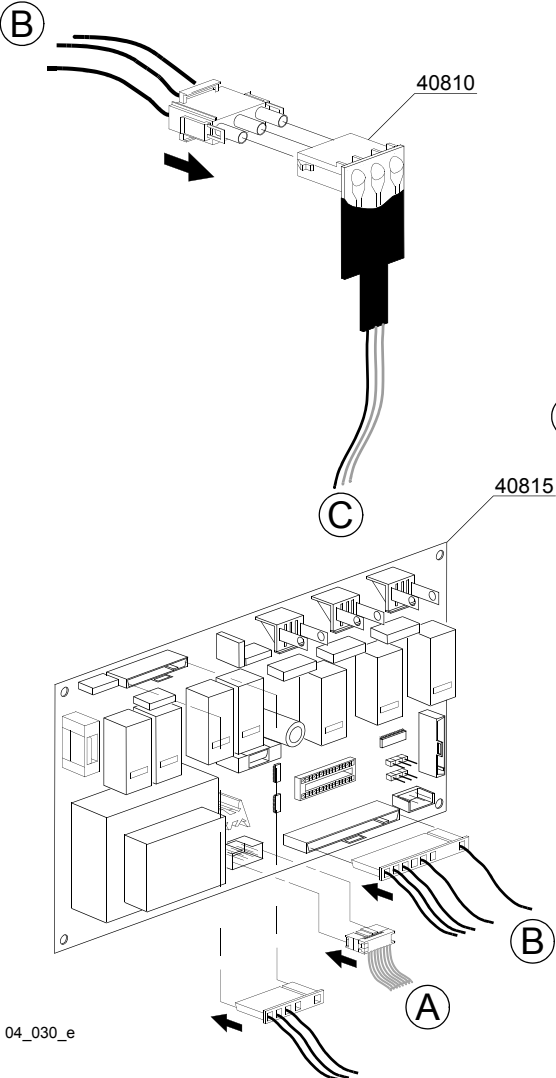
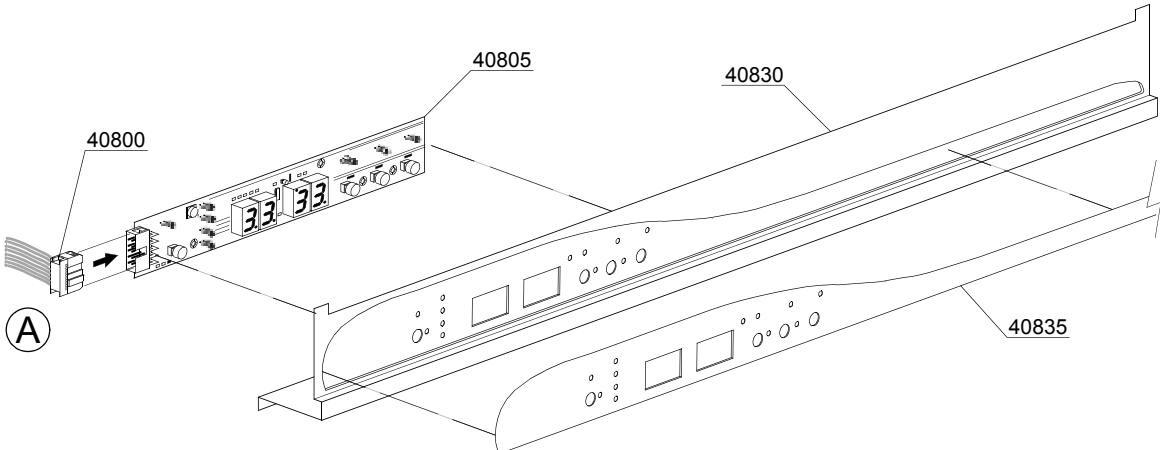
ID	P-code	Model	Type	Accessory	Voltage	Description
MODULE:Lockup system						
44700	560963		LUX61			Door with steel handle
44705	560920		LUX61			Lower door
44710	10704		LUX61			Door microswitch
44715	560003		LUX61			Door spring
44720	560006		LUX61			Right lock for door hinge
44725	560007		LUX61			Left lock for door hinge
44730	10770		LUX61			Insulation for door microswitch
44735	560013		LUX61			Profile for lower-door O-ring
44740	560965		LUX61			Stainless steel handle



04_019ae

Spare parts

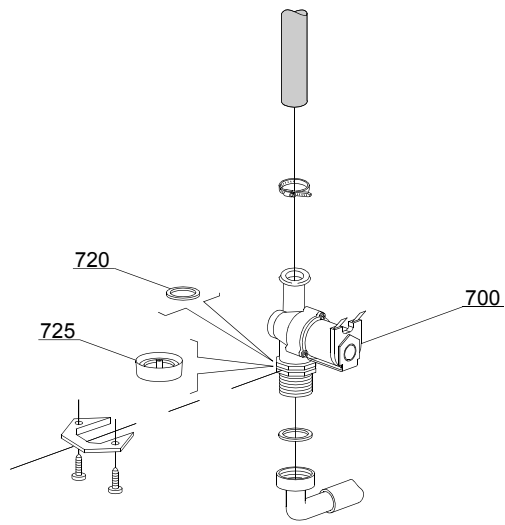
ID	P-code	Model	Type	Accessory	Voltage	Description
MODULE:Electric control components						
19705	15149		LUX61			Low noise filter
19715	500551		LUX61			6 poles terminal board
19720	15086		LUX61			Contactactor 230V 50/60Hz 4C
19720	15086/B		LUX61			Contactactor 240V 50Hz
19730	560921		LUX61			Electric components panel
19735	10706/A		LUX61			47-27 pressure switch
19735	10300026		LUX61			76-38 pressure switch
19735	80225		LUX61			34-100 pressure switch



04_030_e

Spare parts

ID	P-code	Model	Type	Accessory	Voltage	Description
MODULE:Electric control ELEKTRO						
40800	50582		LUX61			"Elite""plug
40805	50581		LUX61			Touche sensitive "Elite"
40810	50584		LUX61			"Elite""water flow board
40815	50580		LUX61			"Elite"electronic timer+main board
40820	50583		LUX61			Water flow meter for "Elite"board
40825	50562		LUX61			Temperature probe set
40830	560967		LUX61			LUX 61- 60EL Control Panel
40835	560968		LUX61			Silkscreen processed grill LUX-61 / 60EL

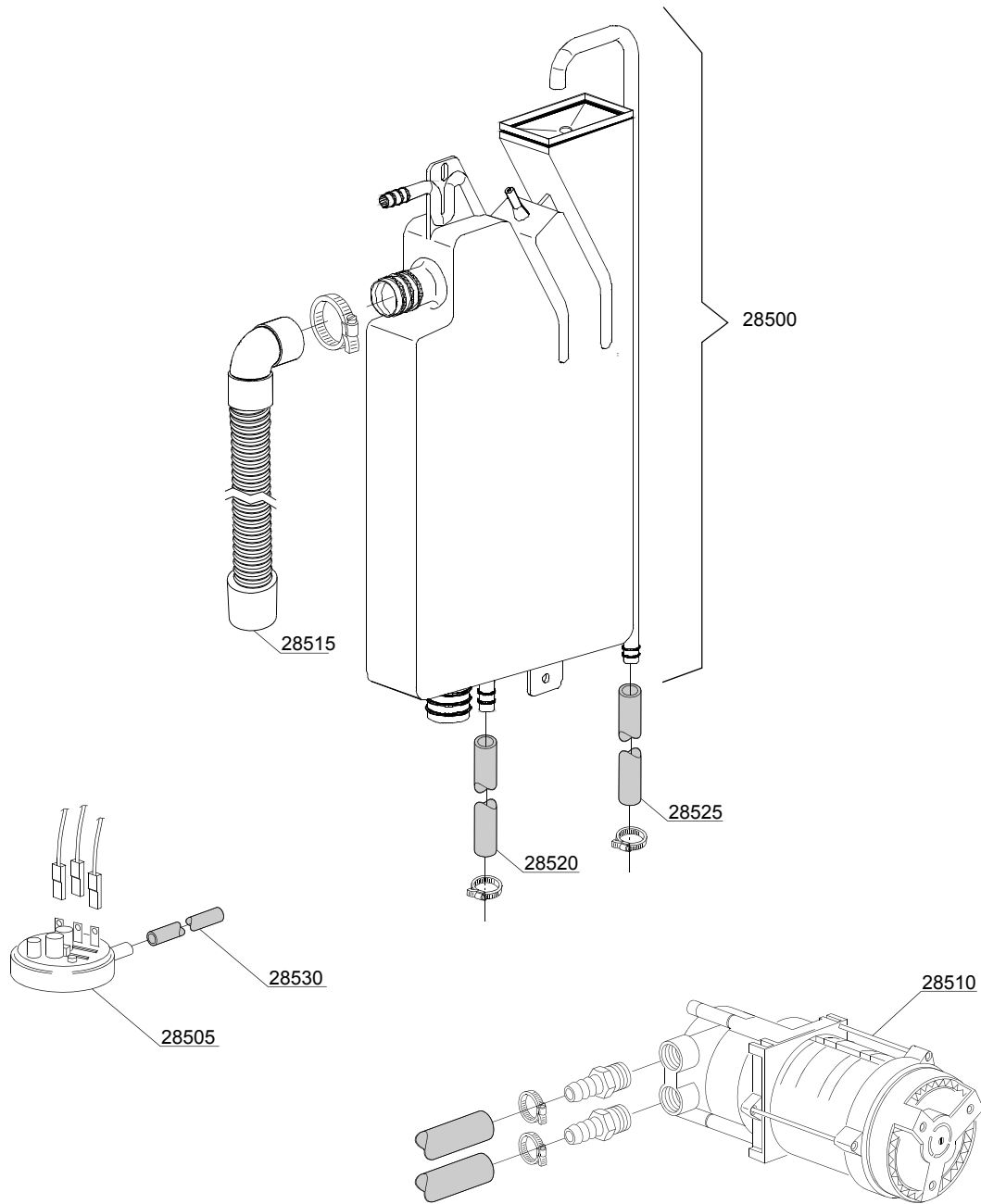


05_002_e

Spare parts

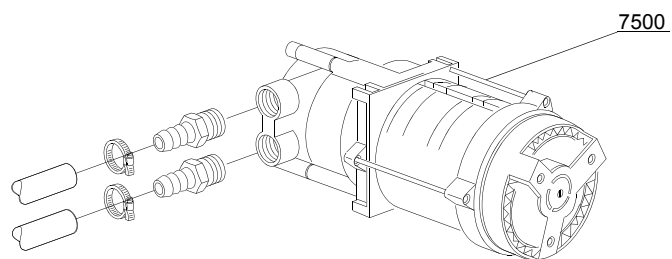
ID	P-code	Model	Type	Accessory	Voltage	Description
MODULE: Solenoid valve group						
700	10703		LUX61			Single solenoid valve
720	N.C.		LUX61			Pression reducing valve

06_004ae



Spare parts

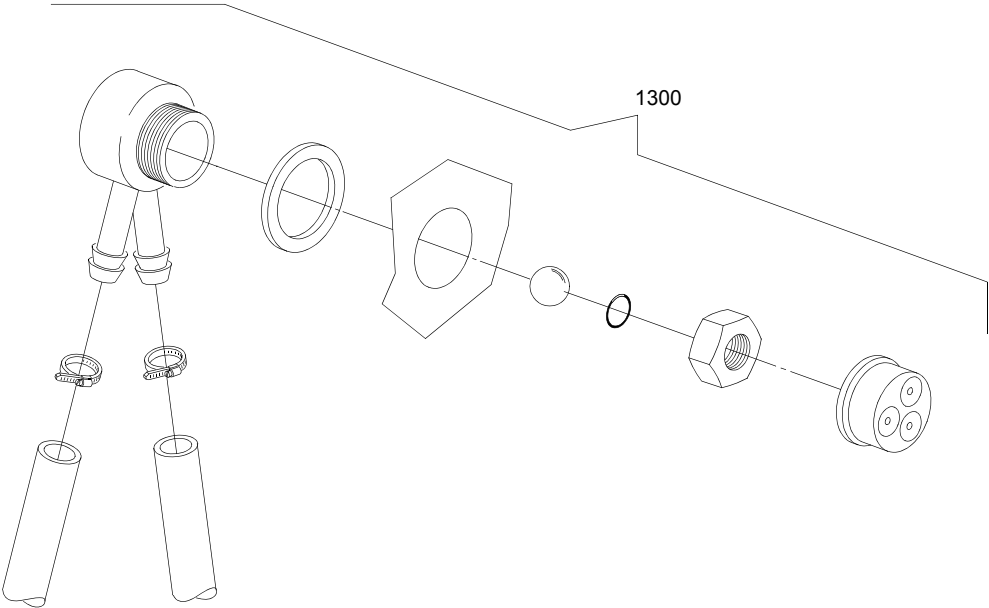
ID	P-code	Model	Type	Accessory	Voltage	Description
MODULE:Break Tank						
28500	15735		LUX61	bt		Break tank assembly
28505	10706/A		LUX61	bt		47-27 pressure switch
28510	15100/D		LUX61	bt		Booster pump 220-240/50
28515	15721		LUX61	bt		BT long pipe L=1070
28515	15722		LUX61	bt		BT middle pipe L=920
28515	15723		LUX61	bt		BT small pipe L=920
28520	2907350		LUX61	bt		12x20 EPDM rubber hose
28525	2907352		LUX61	bt		PVC WRAS rubber hose



07_003_e

Spare parts

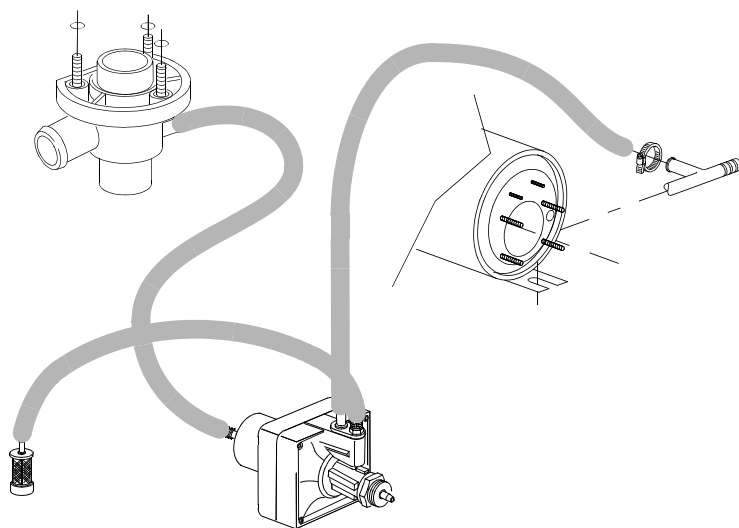
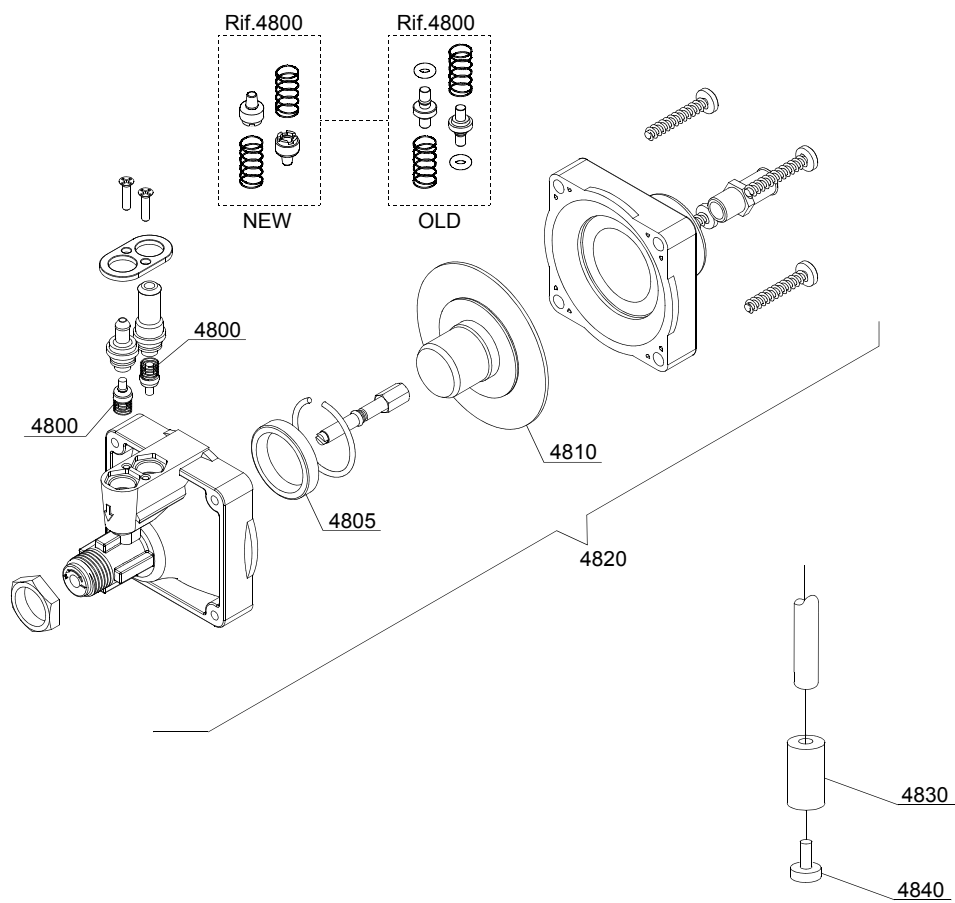
ID	P-code	Model	Type	Accessory	Voltage	Description
MODULE:Booster pump						
7500	15100/D		LUX61	bp		Booster pump 220-240/50



08_005_e

Spare parts

ID	P-code	Model	Type	Accessory	Voltage	Description
MODULE:DVGW						
1300	999900006		LUX61	dvgw		DVGW assembly

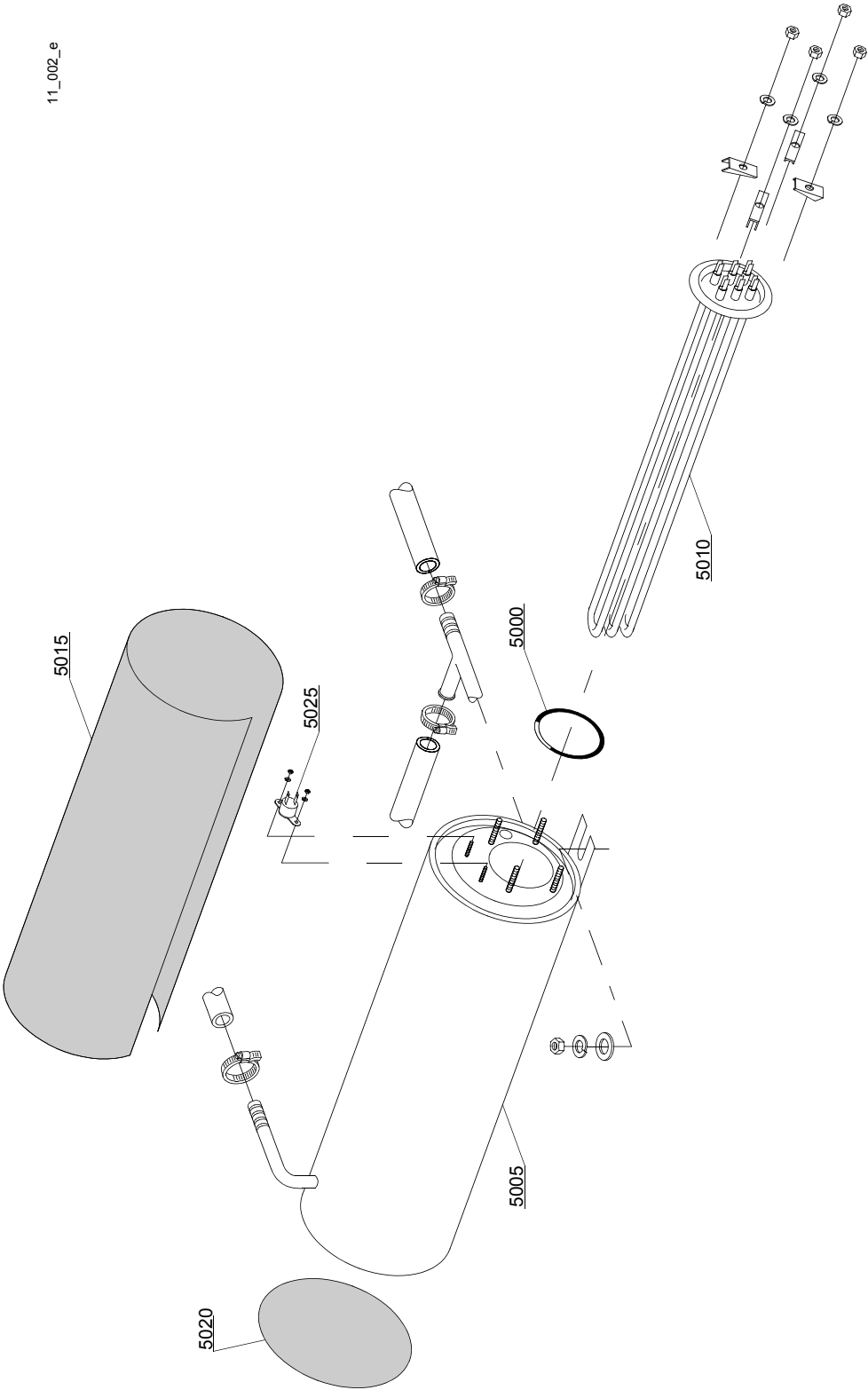


10_004_e

Spare parts

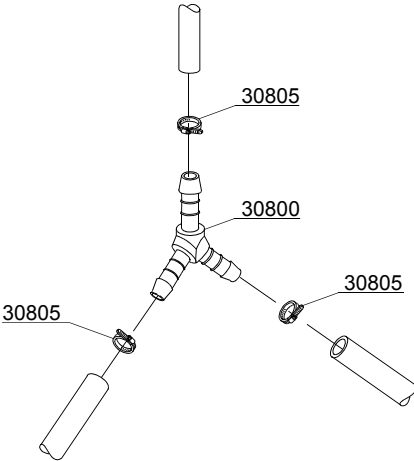
ID	P-code	Model	Type	Accessory	Voltage	Description
MODULE: Rinse aid dispenser group						
4800	10805		LUX61			Tecnopro non return valve
4805	10806		LUX61			Ø22 O-ring
4810	10807		LUX61			Membrane
4820	10799		LUX61			Rinse aid dispenser
4830	12525		LUX61			Counter-weight
4840	15058		LUX61			Small filter

11_002_e



Spare parts

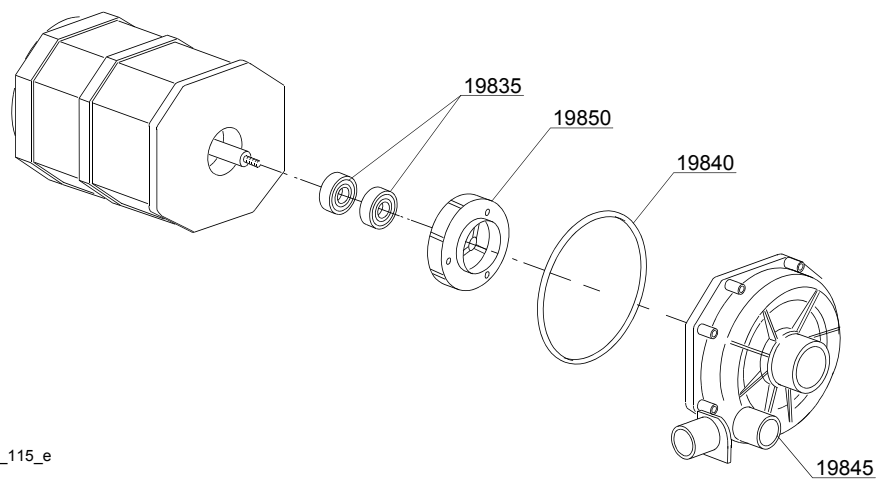
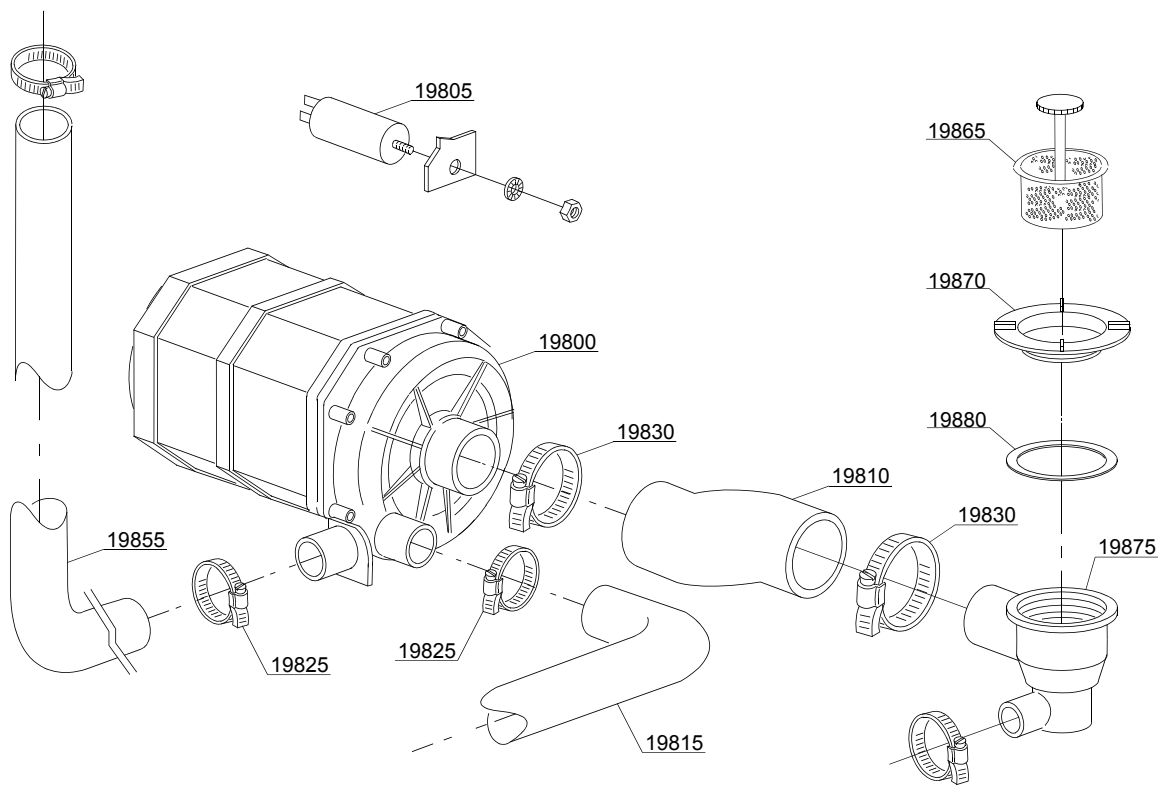
ID	P-code	Model	Type	Accessory	Voltage	Description
MODULE:Boiler group						
5000	13005		LUX61			OR 151 NBR O-ring
5005	150905		LUX61			Boiler
5005	150917		LUX61			AISI 314 boiler
5010	15089/B		LUX61			4,5KW heating element - 254/440Vac
5010	15089/E		LUX61			6/6,53KW - 230/240/3 heating element
5010	15046		LUX61			3/3,27KW 230/240/3 heating element
5015	15066		LUX61			Insulation boiler
5020	15205		LUX61			Ø160 end piece
5025	15550		LUX61			Safety thermostat



12_003ae

Spare parts

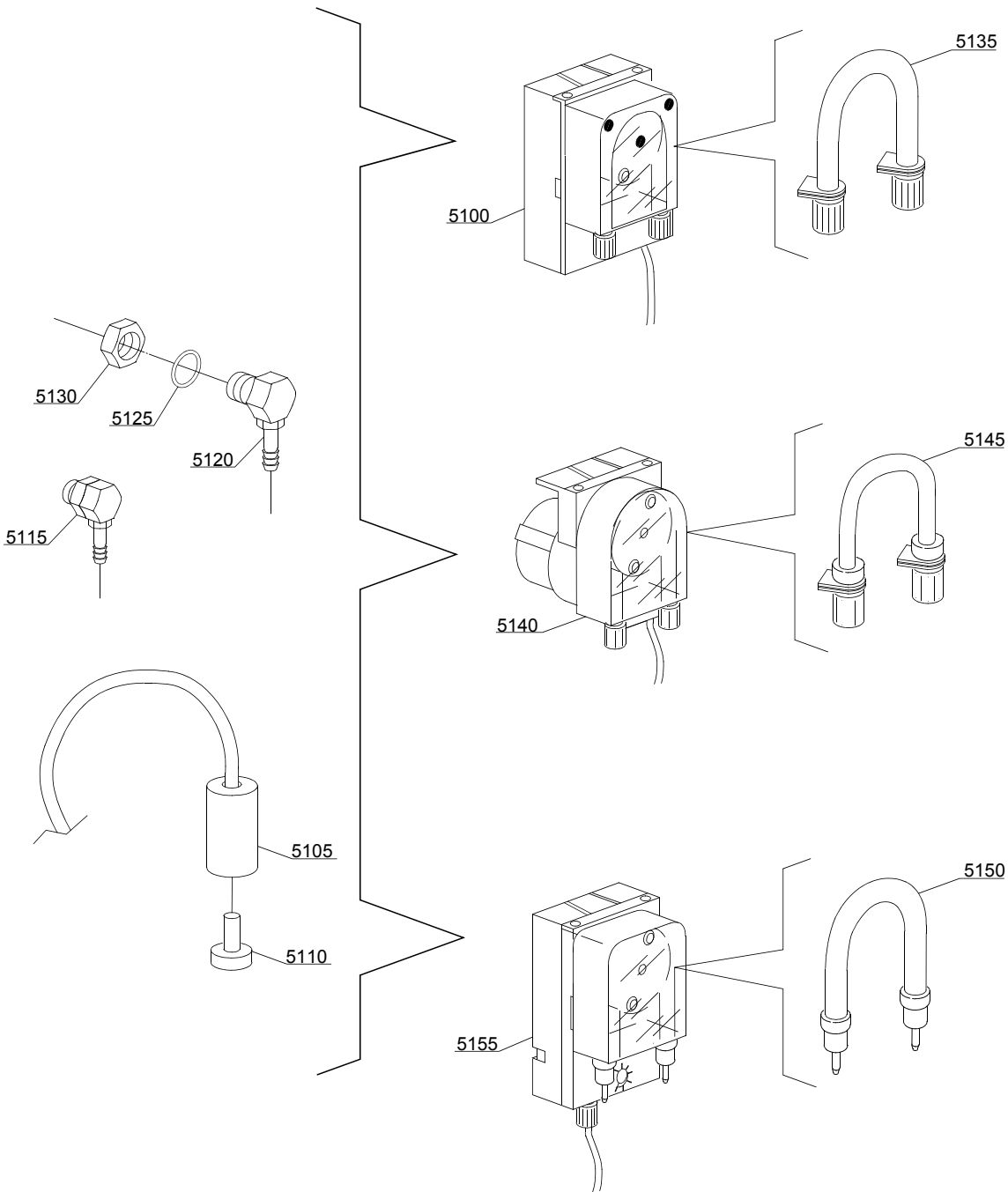
ID	P-code	Model	Type	Accessory	Voltage	Description
MODULE:3 ways connection						
30800	540091		LUX61			Ø12 mm plastic 3 ways connection
30805	11807		LUX61			12/22 clamp



13_115_e

Spare parts

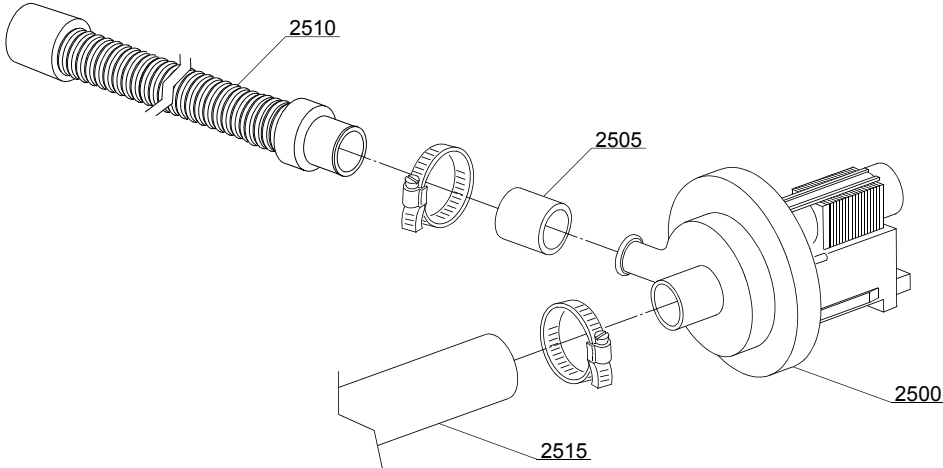
ID	P-code	Model	Type	Accessory	Voltage	Description
MODULE:Wash pump						
19800	150914		LUX61			0,70Hp wash pump
19805	15081		LUX61			12,5 uF condenser
19810	25032/A		LUX61			Suction pipe coupling
19815	561017		LUX61			Low delivery pipe
19825	11806		LUX61			25/40 clamp
19830	11809		LUX61			30/45 clamp
19835	15080		LUX61			Rotating seals
19840	7130		LUX61			OR pump O-ring
19845	16182		LUX61			Scroll
19850	15079/F		LUX61			Pump rotor
19855	561016		LUX61			Top delivery pipe EPDM
19865	561013		LUX61			Pump suction filter
19870	500615		LUX61			Ferrule with filter
19875	500606		LUX61			Right side scrap tray
19880	80208		LUX61			95x75x3 O-ring



14_004_e

Spare parts

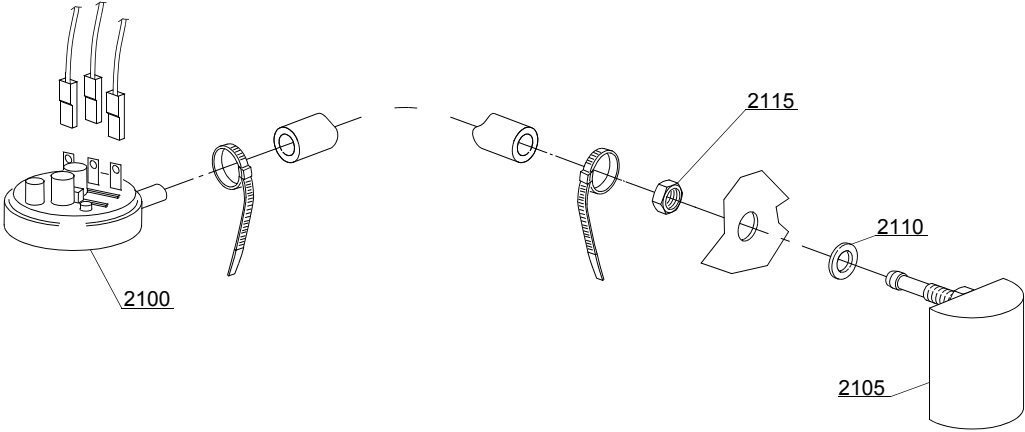
ID	P-code	Model	Type	Accessory	Voltage	Description
MODULE:Dosing detergent group						
5100	15985		LUX61	dd		Seko detergent pump
5105	12525		LUX61	dd		Counter-weight
5110	15058		LUX61	dd		Small filter
5115	15123		LUX61	dd		Compleat plastic injector
5120	15148		LUX61	dd		Steel injector
5125	15159		LUX61	dd		OR O-ring
5130	10200205		LUX61	dd		M12x1 stainless steel nut
5135	15185		LUX61	dd		Seko thermoplastic pipe
5140	15985		LUX61	dd		Germac detergent pump
5145	15108/E		LUX61	dd		Germac thermoplastic pipe
5150	15985/A		LUX61	dd		PLAS CONT thermoplastic pipe
5155	15985		LUX61	dd		PLAS CONT detergent pump



15_004_e

Spare parts

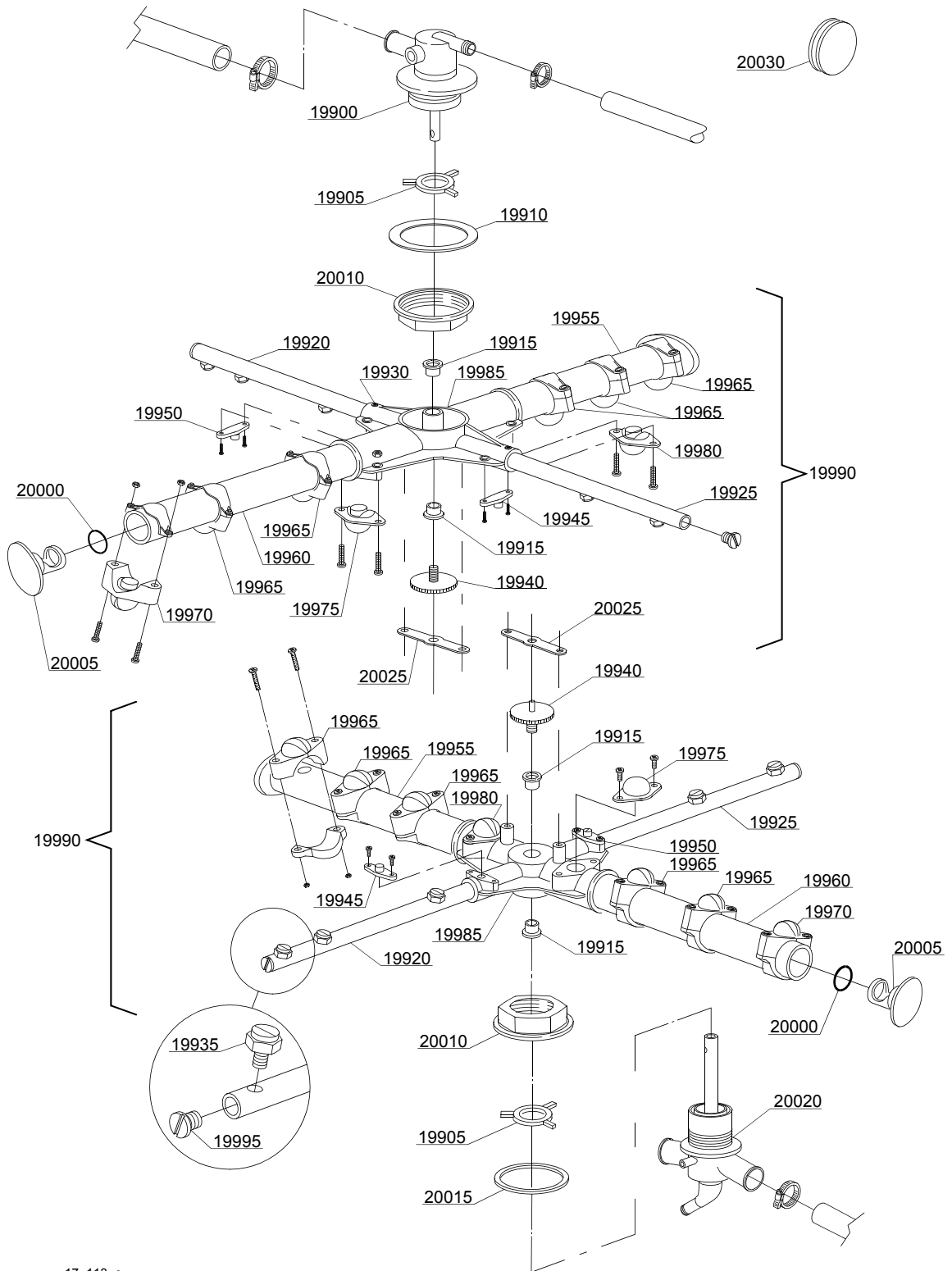
ID	P-code	Model	Type	Accessory	Voltage	Description
MODULE:Drain pump group						
2500	15101		LUX61	dp		Drain pump 220/240V 50Hz
2505	15101/D		LUX61	dp		Pipe fitting
2510	10727		LUX61	dp		Drain pipe
2515	18044		LUX61	dp		Ø28 top wash pipe



16_001_e

Spare parts

ID	P-code	Model	Type	Accessory	Voltage	Description
MODULE:Pressure switch group with air trap						
2100	10706/A		LUX61			47-27 pressure switch
2105	135911/E		LUX61			Grey air trap assembly
2110	13301		LUX61			O-ring
2115	11702		LUX61			M8 stainless steel nut



17_113_e

Spare parts

ID	P-code	Model	Type	Accessory	Voltage	Description
MODULE:Turret group with rotating arms						
19900	540072		LUX61			Top grey turret assembly for rinse rotor
19905	10225		LUX61			Guide pipe
19910	540034		LUX61			Ø57x43x1,5 plane O-ring
19915	13319		LUX61			Sliding washer
19920	561004		LUX61			Right rinse pipe
19925	561005		LUX61			Left rinse pipe
19930	11004		LUX61			4x10 TCB Ø8 spax toothed screw
19935	560018		LUX61			Stainless steel rinse nozzle
19940	11101/I		LUX61			Stainless steel group fixing screw
19945	10267		LUX61			Head closed rinse nozzle
19950	10263		LUX61			Head rinse nozzle
19955	561006		LUX61			Right wash pipe
19960	561007		LUX61			Left wash pipe
19965	10221		LUX61			Small raised head wash nozzle
19970	10264		LUX61			Raised head wash nozzle
19975	10265		LUX61			Plain head closed wash nozzle
19980	10266		LUX61			Plain head wash nozzle
19985	10258		LUX61			Wash rotor
19990	561008		LUX61			Top/lower wash/rinse group
19995	560017		LUX61			Rinse arm plug
20000	13016		LUX61			2018 OR 103 NBR O-ring
20005	10256		LUX61			Ø18 plastic plug
20010	540010		LUX61			Turret fixing nut
20015	540032		LUX61			Ø57x43x4 turret plane O-ring
20020	540068		LUX61			Lower grey turret assembly for rotor
20025	10260		LUX61			Blocking ring nut rotor plaque
20030	13316/A		LUX61			DVGW hole O-ring