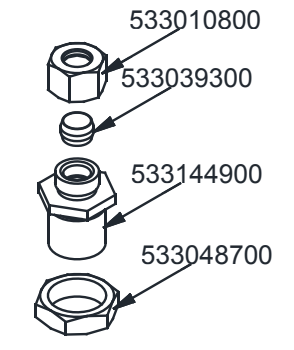
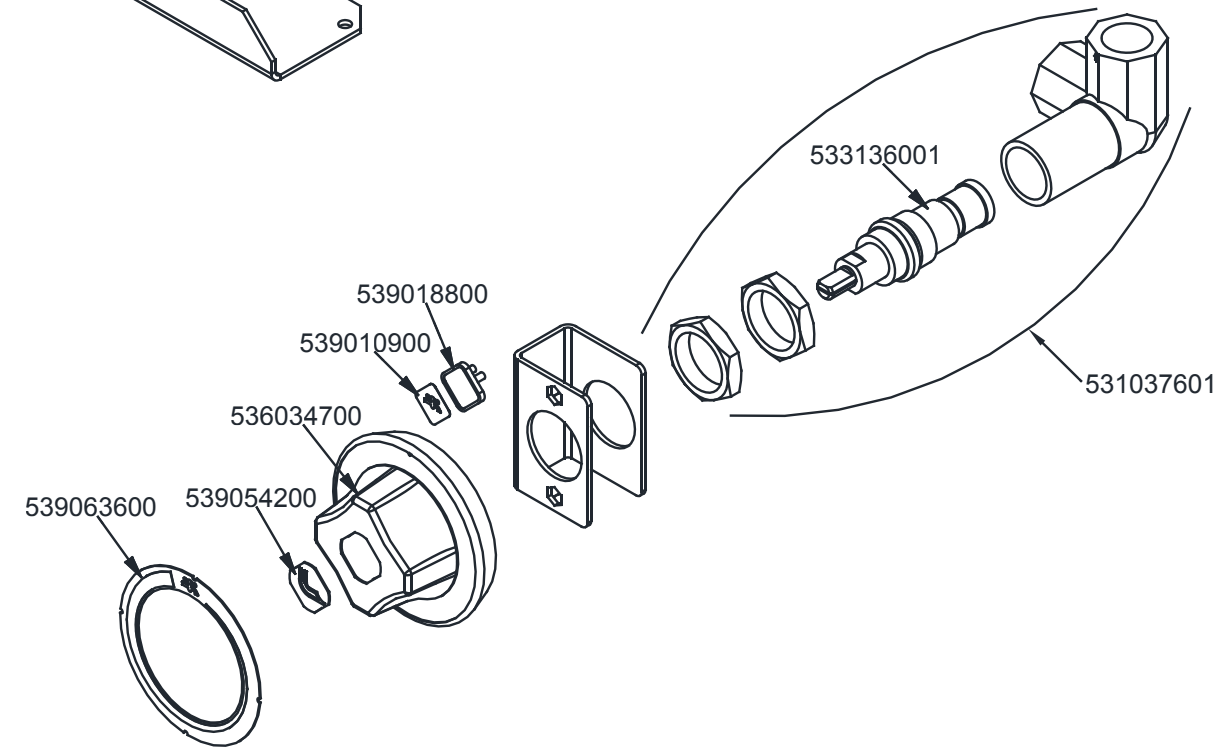
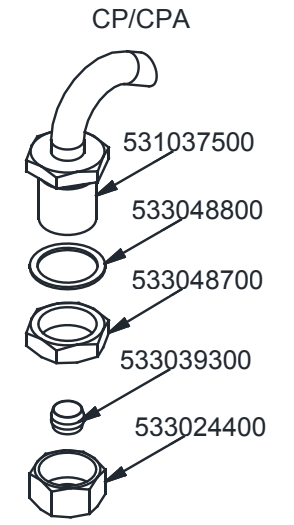
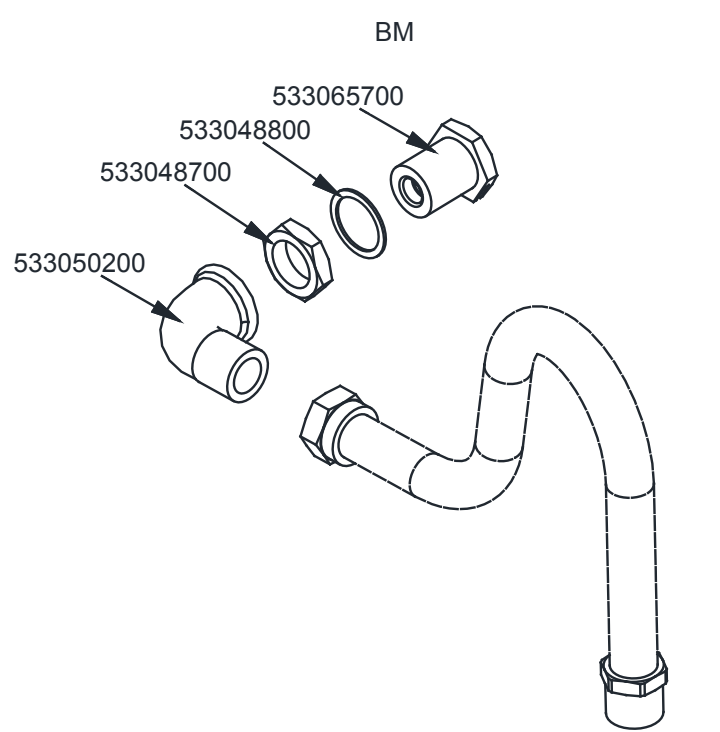
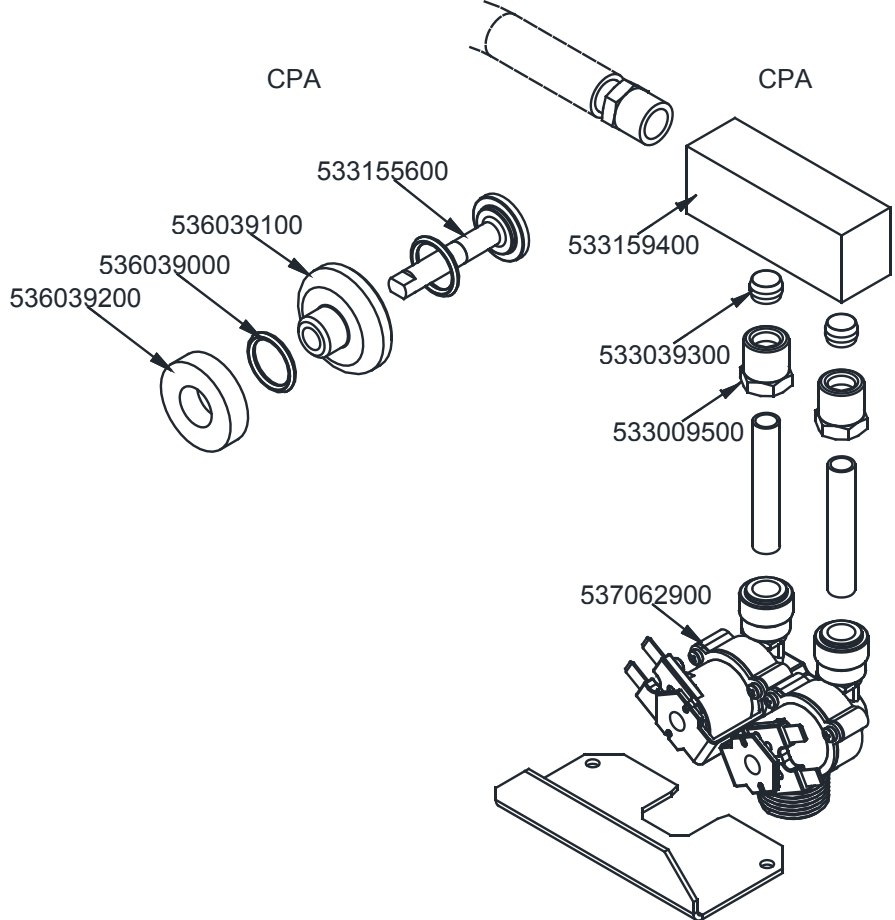
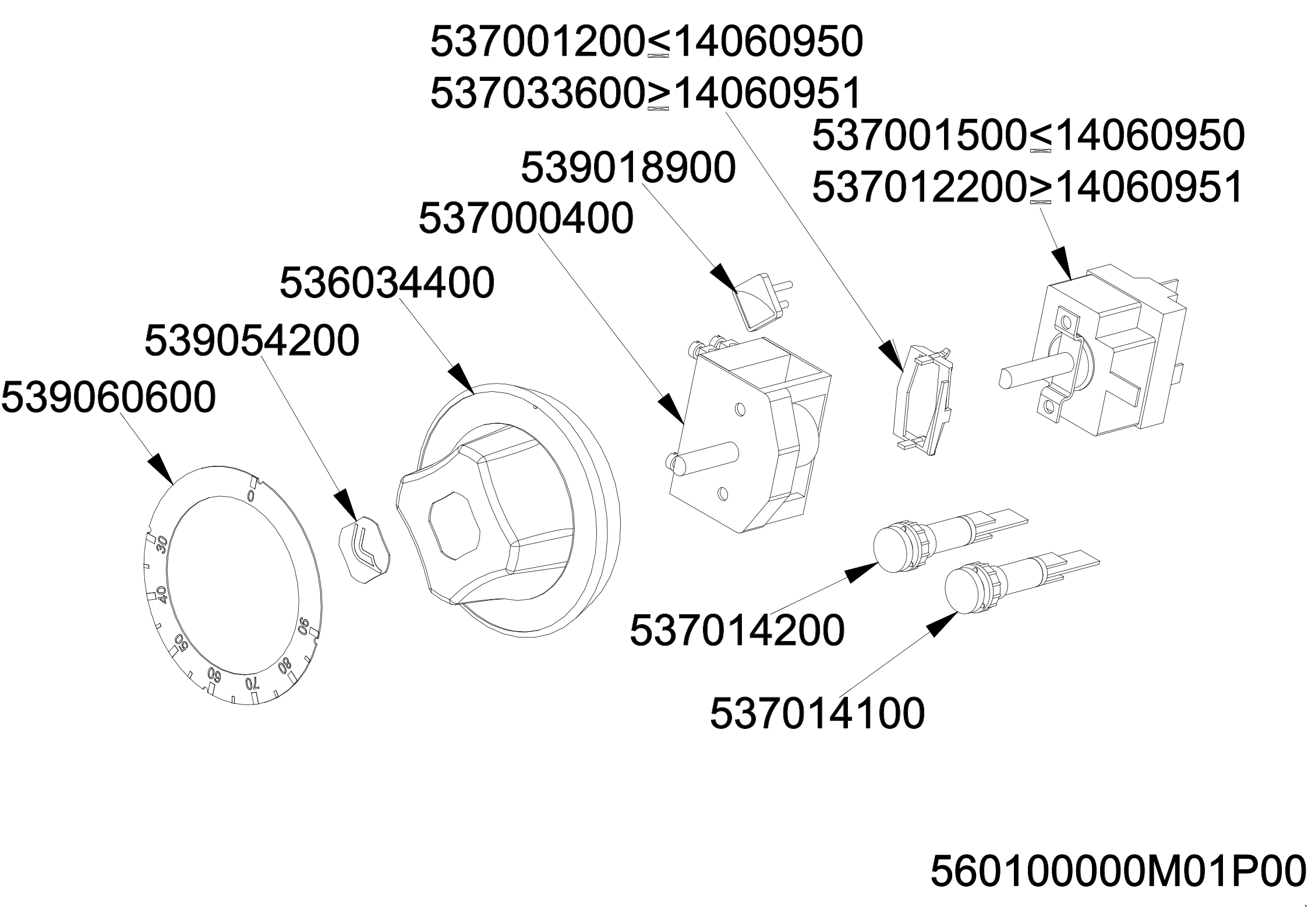


560085801M00P00



560101700M02P00



Page	Pos	Code	Description
001		537012100	SECURITY THERMOSTAT SINGLEP.165°C
001		541063100	TANK DRAIN FILTER BS-4EM/CPM
001		541270600	UPPER PLATE DROP IN BMD-64ET
001		537036500	TERMINAL BLOCK 4POLES 40A SCREW-SCR
001		537011900	HEATING ELEMENT W1100 V230 ICE-FOIL
001		537003800	TERMINAL BLOCK 3POLES 16A
001		531018600	BALL VALVE 1"G M-F CPM-62G
001		533039900	PIPE HOLDER 1" G M D.24
001		533040000	1"G F-F-F "T" FITTING
001		533038200	1" G M-F ELBOW FITTING
001		533087300	HEXAGONAL BICONE 1G
002		536039100	GUIDA PER SENSORE ACQUA
002		536039000	GUARNIZ.O-RING 12,42X1,78 SILIC.
002		536039200	DISTANZIALE PER SENSORE ACQUA
002		533159400	RACC.UN.2 U.ELETTROV.ACQUA CP
002		533039300	BICONE §10
002		533009500	NIPPLE FOR BICONE 10S
002		537062900	ELETTROV.A.3/4GM-2Ø10JG 230V RPV
002		533065700	FITTING FOR WATER INPUT 1/2G
002		533048800	GASKET §30*§21*2 FIBRE
002		533048700	NUT 1/2G ZN
002		533050200	90° 1/2 M/F ELBOW FITTING
002		531037500	RACCORD CA.H2O 1/2G CAN.D10
002		533024400	HEXAGONAL NUT 1/2G TUBE D.10
002		533010800	TUBE NUT D.10 M16*1,5
002		533144900	MALE FITTING WATER INLET M16X1,5
002		539018800	BLANK INDEX FOR KNOB
002		539010900	ADHESIVE LABEL FOR DRAIN COCK
002		536034700	KNOB §77 4P. §08*6,5 F§30
002		539063600	ADHESIVE DISK 72 FOR DRAIN COCK
002		539054200	STAMP Ø20,5 CR."L" LOTUS R.
002		531037601	TAP FOR WATER 90°DX CP
003		539060600	RED STICKING DISK 72 (030,090°
003		539054200	STAMP Ø20,5 CR."L" LOTUS R.
003		536034400	KNOB §77 4P. §06*4,6 C/M
003		537000400	COMMUTATOR 1POS.SINGLEPHASE S49 16A
003		539018900	INDEX FOR KNOB W/RED SIGN
003		537033600	FIXING BRACKET FOR THERMOSTAT/COMM.
003		537001200	FIXING BRACKET FOR THERMOSTAT/COMM.
003		537001500	THERMOSTAT 30-90°C SINGLEPHASE
003		537012200	THERMOSTAT 30/110°C SINGLEPHASE
003		537014200	GREEN WARNING LIGHT 250V
003		537014100	WHITE WARNING LIGHT 250V