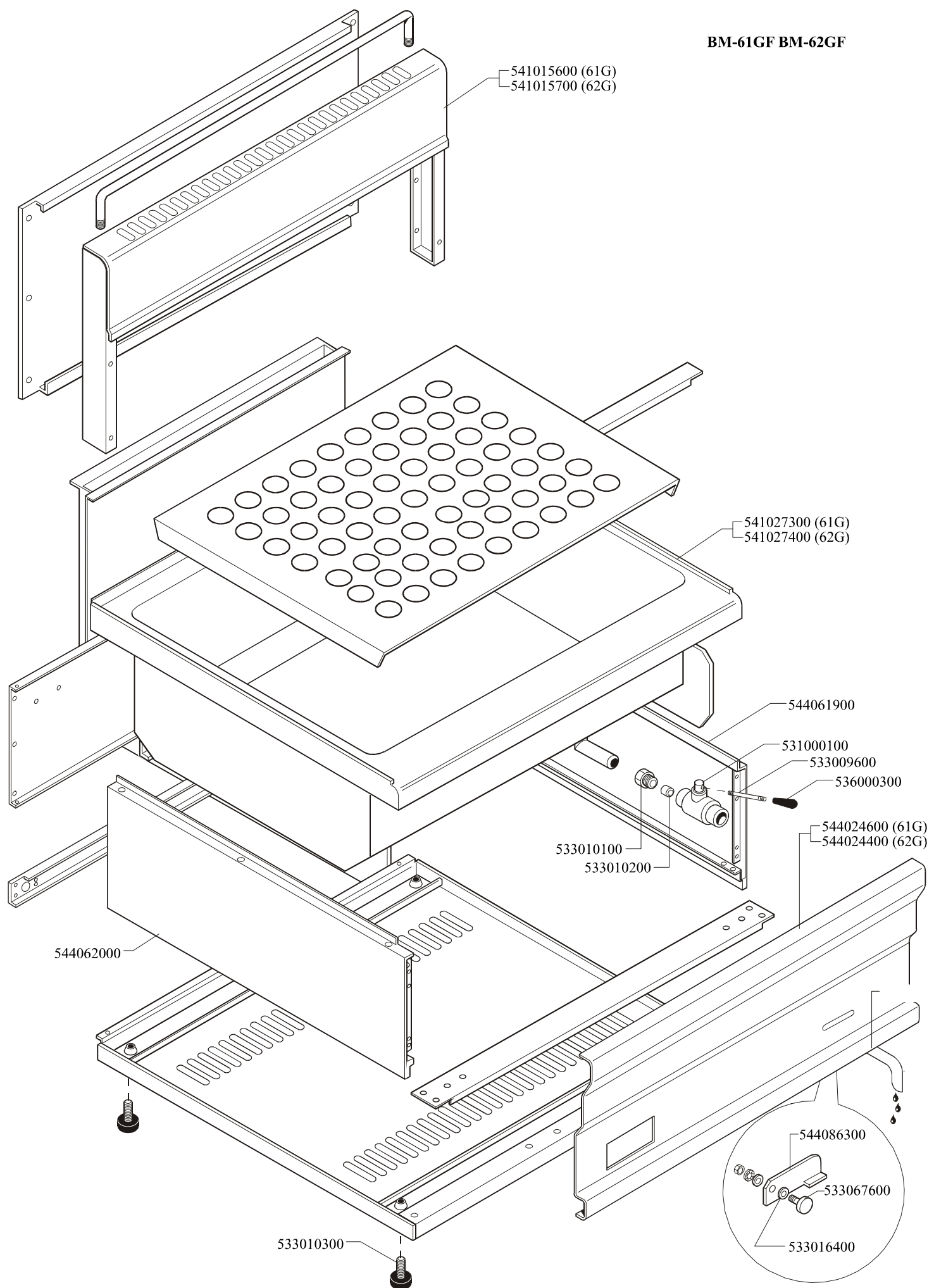
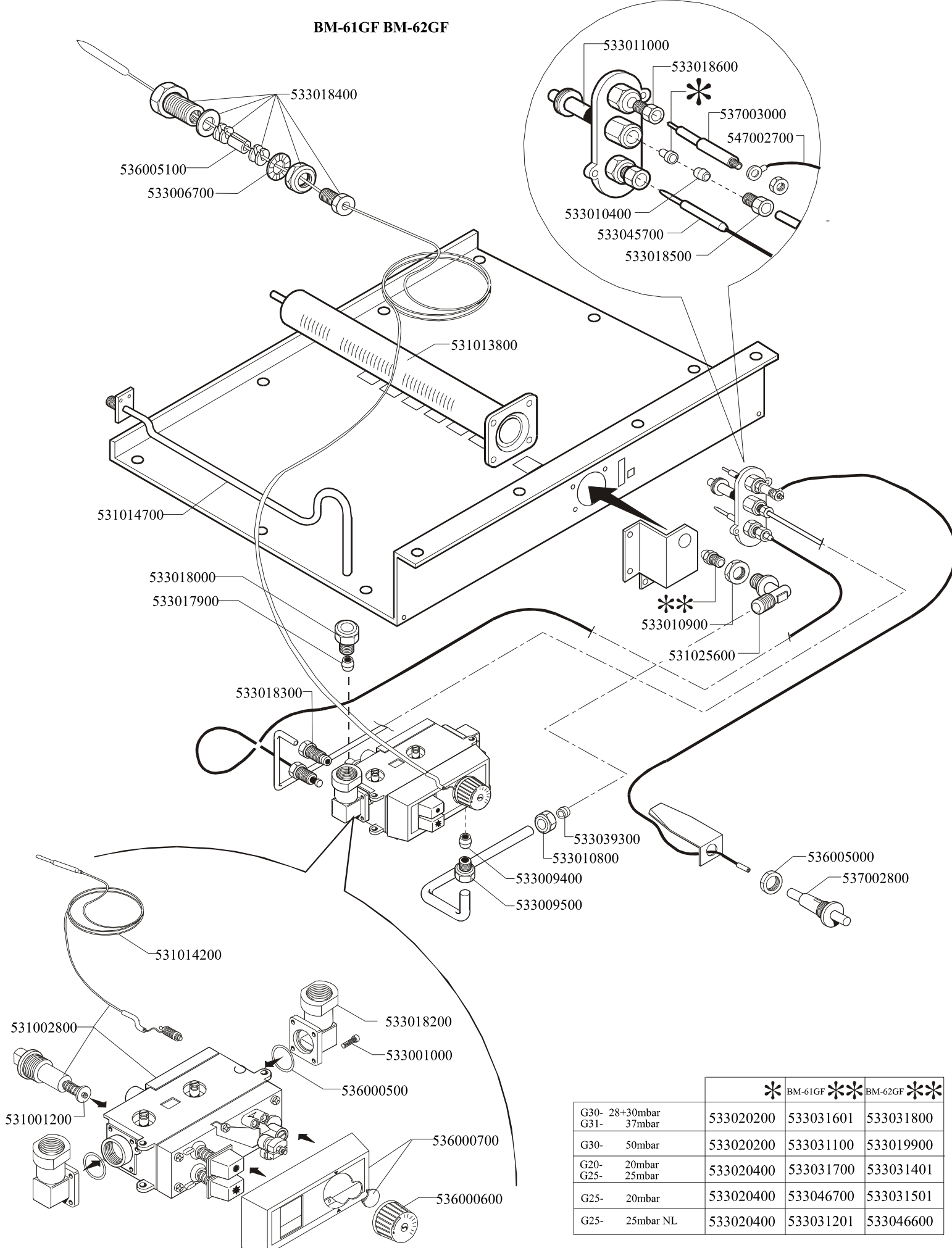


BM-61GF BM-62GF



BM-61GF BM-62GF



	*	BM-61GF**	BM-62GF**
G30- 28+30mbar G31- 37mbar	533020200	533031601	533031800
G30- 50mbar	533020200	533031100	533019900
G20- 20mbar G25- 25mbar	533020400	533031700	533031401
G25- 20mbar	533020400	533046700	533031501
G25- 25mbar NL	533020400	533031201	533046600

Page	Pos	Code	Description
001		541015600	PERFORATED SPACER 61
001		541027300	UPPER PLATE BM61G + COMBUSTION CHAM
001		544061900	RIGHT SIDE PANEL 60 LINE
001		531000100	DRAIN COCK 3/4"
001		533009600	DRAIN COCK HANDLE
001		536000300	FIXED GRIP D.15*25*M6
001		544024600	CONTROL PANEL BM-61G
001		533010100	3/4 D. 18 PIPE UNION
001		533010200	BICONE 18S
001		544086300	COCK FIXING BRACKET
001		533067600	PIN FOR GRADUATED COCK BUSHING
001		533016400	COCK BUSHING
001		533010300	ADJUSTABLE FOOT M10*20 D.23
001		544062000	LEFT SIDE PANEL 60 LINE
002		533011000	PILOT BURNER 3 FLAMES 320
002		533018600	PLUG FITTING
002		537003000	PLUG M4 - LONG ELECTRODE
002		547002700	HIGH-VOLTAGE CABLE L=500
002		533010400	BICONE D.6
002		533045700	THERMOCOUPLE M9*1 500
002		533018500	FITTING FOR BICONE D.6 M10*1
002		533018400	THREADED FITTING
002		536005100	GRAPHITE §07,4 GASKET
002		533006700	NOTCHED WASHER D.14
002		531013800	BURNER BM-61G 102.0299.00
002		531014700	RAMP BM-61G
002		533018000	ELBOW FOR BICONE D.12 3/8 RS L20
002		533017900	BICONE D.12
002		533018300	FITTING WITH BICONE 6 M10*1
002		533010900	NUT M14*1 H.4
002		531025600	ELBOW 90° NOZZLE-HOLDER §10 PIPE
002		533039300	BICONE §10
002		533010800	TUBE NUT D.10 M16*1,5
002		533009400	BICONE 10S
002		533009500	NIPPLE FOR BICONE 10S
002		536005000	NUT M18 FOR PIEZOELECTRIC IGNITION
002		537002800	PIEZOELECTRIC IGNITION M18
002		531014200	VALVE CAPILLARY PROBE FOR BM
002		531002800	MINISIT VALVE SV S/RP
002		531001200	MAGNET AC/2-MINISIT
002		533018200	ELBOW OR GJ 3/8
002		533001000	SCREW TCB C/CC M4X16
002		536000500	O-RING FOR MINISIT FITTING
002		536000700	PLASTIC COVER FOR MINISIT + SCREW
002		536000600	BLACK LHD KNOB OP. FOR MINISIT
002		533020200	PILOT JETS 0160 FOR LPG §30
002		533031601	NOZZLE §70 CH-12*30
002		533031100	NOZZLE CH12X30,0 Ø060
002		533020400	NOZZLE 0160 (NATURAL GAS) 51
002		533031700	NOZZLE §105 CH-12*30 G30 CE GFT6
002		533046700	NOZZLE §115 CH12*30 L-BM61

Page	Pos	Code	Description
002		533031201	