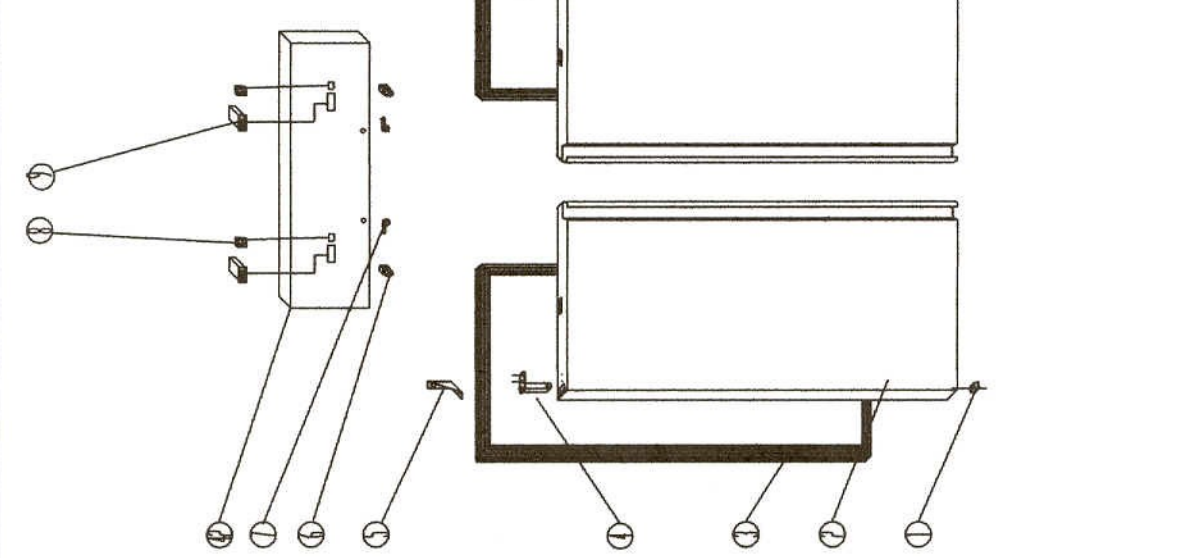
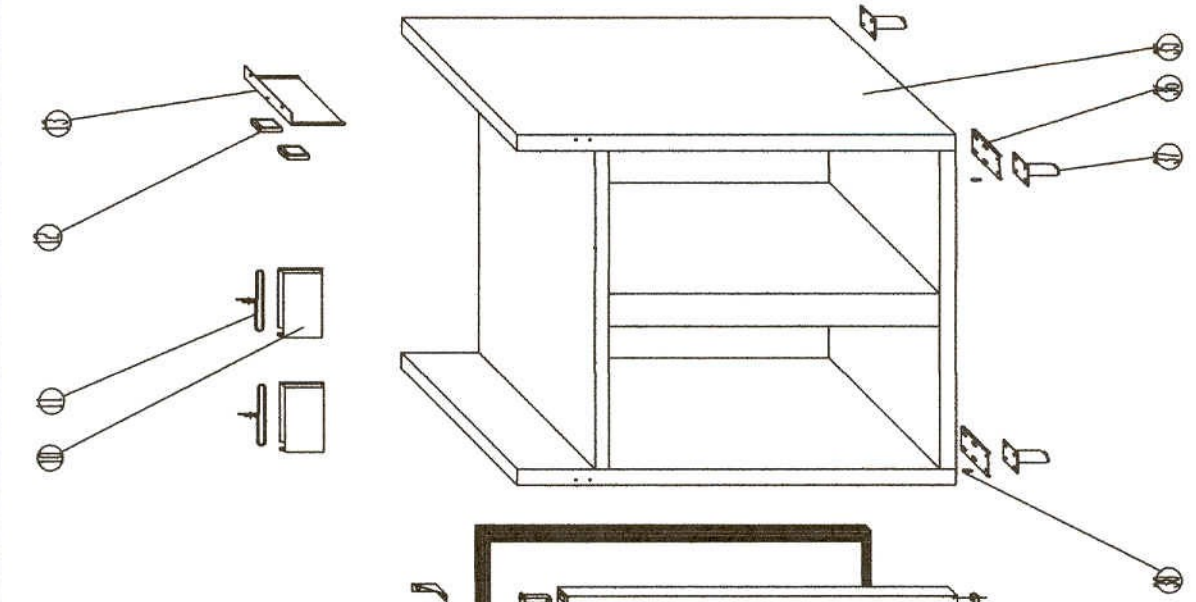
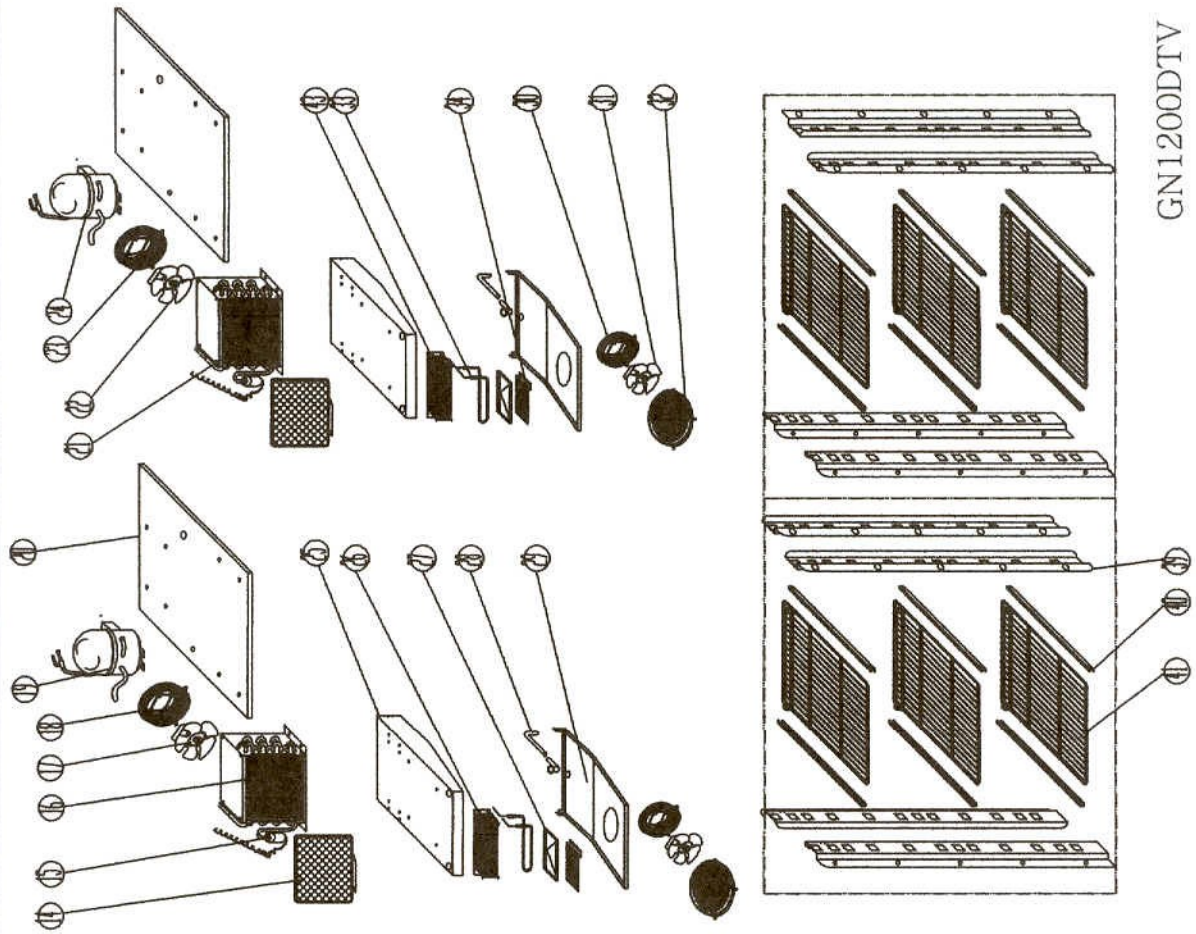


GN1200DTV



SPARE PARTS LIST OF GN1200DTV

| NO. | CODE          | NAME                       | MODEL        | QUY. | MATERIAL  | REMARK     |
|-----|---------------|----------------------------|--------------|------|-----------|------------|
| 1   | GN650TN.10    | DOWN HINGE AXIS JACKET     |              | 2PCS | PLASTIC   |            |
| 2   | SNACK400TN.05 | DOOR                       |              | 2PCS |           |            |
| 3   | SNACK400TN.06 | GASKET                     |              | 2PCS | PVC       |            |
| 4   | GN650TN.14    | DOOR SPRING                |              | 2PCS |           |            |
| 5   | GN650TN.15    | UP HINGE/RIGHT             |              | 2PCS | STAINLESS | LEFT/RIGHT |
| 6   | GN650TN.48    | DOOR SWITCH                | HC-050K4     | 2PCS |           |            |
| 7   | GN650TN.86    | LOCK                       |              | 2PCS |           |            |
| 8   | S900.01       | MAIN SWITCH                | KCKD-044     | 2PCS |           |            |
| 9   | GN650TN.47    | THERMOSTAT (WITH 2 PROBES) | XRB0C        | 2PCS |           |            |
| 10  | GN60TN.01     | WATER BOX                  |              | 2PCS |           |            |
| 11  | GN60TN.02     | DISCHARGE PIPE             |              | 2PCS |           |            |
| 12  | GN650TN.16    | JUNCTION BOX               |              | 2PCS |           |            |
| 13  | GN650TN.08    | FIXING STRIP               |              | 1PC  |           |            |
| 14  | S903.08       | FILTER                     |              | 2PCS |           |            |
| 15  | GN1410TN.14   | FILTER DRIER               | 25g          | 2PCS | XH-9      |            |
| 16  | GN650TN.38    | CONDENSER                  |              | 1PC  |           |            |
| 17  | GN650TN.34    | CONDENSER FAN              | CA01-01/Φ200 | 1PC  |           |            |
| 18  | GN650TN.46    | BASKET GUARD GRILL         |              | 1PC  |           |            |
| 19  | S900.41       | COMPRESSOR                 | OF1350A      | 1PC  |           |            |
| 20  | SNACK400TN.10 | UNIT BOARD                 |              | 2PCS |           |            |
| 21  | GN650BT.13    | CONDENSER                  |              | 1PC  |           |            |
| 22  | GN650BT.11    | CONDENSER FAN              |              | 1PC  |           |            |

| NO. | CODE          | NAME               | MODEL                | QUY.  | MATERIAL        | REMARK     |
|-----|---------------|--------------------|----------------------|-------|-----------------|------------|
| 23  | GN650BT.10    | BASKET GUARD GRILL |                      | 1PC   |                 |            |
| 24  | GN600BT.01    | COMPRESSOR         | T2155GK              | 1PC   |                 |            |
| 25  | GN60TN.04     | EVA. SUPPORT       |                      | 2PCS  |                 |            |
| 26  | GN60TN.05     | EVAPORATOR         |                      | 1PC   |                 |            |
| 27  | GN60TN.06     | WATER PAN          |                      | 2PCS  |                 |            |
| 28  | GN60TN.07     | WATER PIPE         |                      | 1PC   |                 |            |
| 29  | GN60TN.08     | FAN SUPPORT        |                      | 1PC   |                 |            |
| 30  | GN60TN.09     | BASKET GUARD GRILL |                      | 1PC   |                 |            |
| 31  | GN650BT.11    | EVAPORATOR FAN     | CA03-51 / $\phi$ 230 | 2PCS  |                 |            |
| 32  | GN60TN.10     | FAN GRILL          |                      | 1PC   |                 |            |
| 33  | GN60BT.01     | HEATING ELEMENT    |                      | 2PCS  |                 |            |
| 34  | GN60BT.02     | WATER PAN HEALER   |                      | 2PCS  |                 |            |
| 35  | GN1200DT.02   | BODY               |                      | 1PCS  |                 |            |
| 36  | GN650TN.05    | DOWN HINGE         |                      | 1PC   |                 |            |
| 37  | GN650TN.07    | FEET               |                      | 4PCS  |                 |            |
| 38  | S900.06       | DOWN HINGE AXIS    |                      | 2PCS  |                 |            |
| 39  | SNACK400TN.07 | SUPPORT            |                      | 8PCS  | STAINLESS       |            |
| 40  | GN650TN.09    | GUIDE/RIGHT/LEFT   | 2/1 GN               | 12PCS | STAINLESS       | LEFT/RIGHT |
| 41  | GN1200TN.11   | SHELF              | 2/1 GN               | 6PCS  | COATED<br>STEEL |            |
| 42  | GN1200DT.01   | FRONT PANEL        |                      | 1PC   |                 |            |
| 43  | GN60BT.04     | EVAPORATOR         |                      | 1PC   |                 |            |