



**CB 416**

# LIST OF THE EXPLODED VIEWS



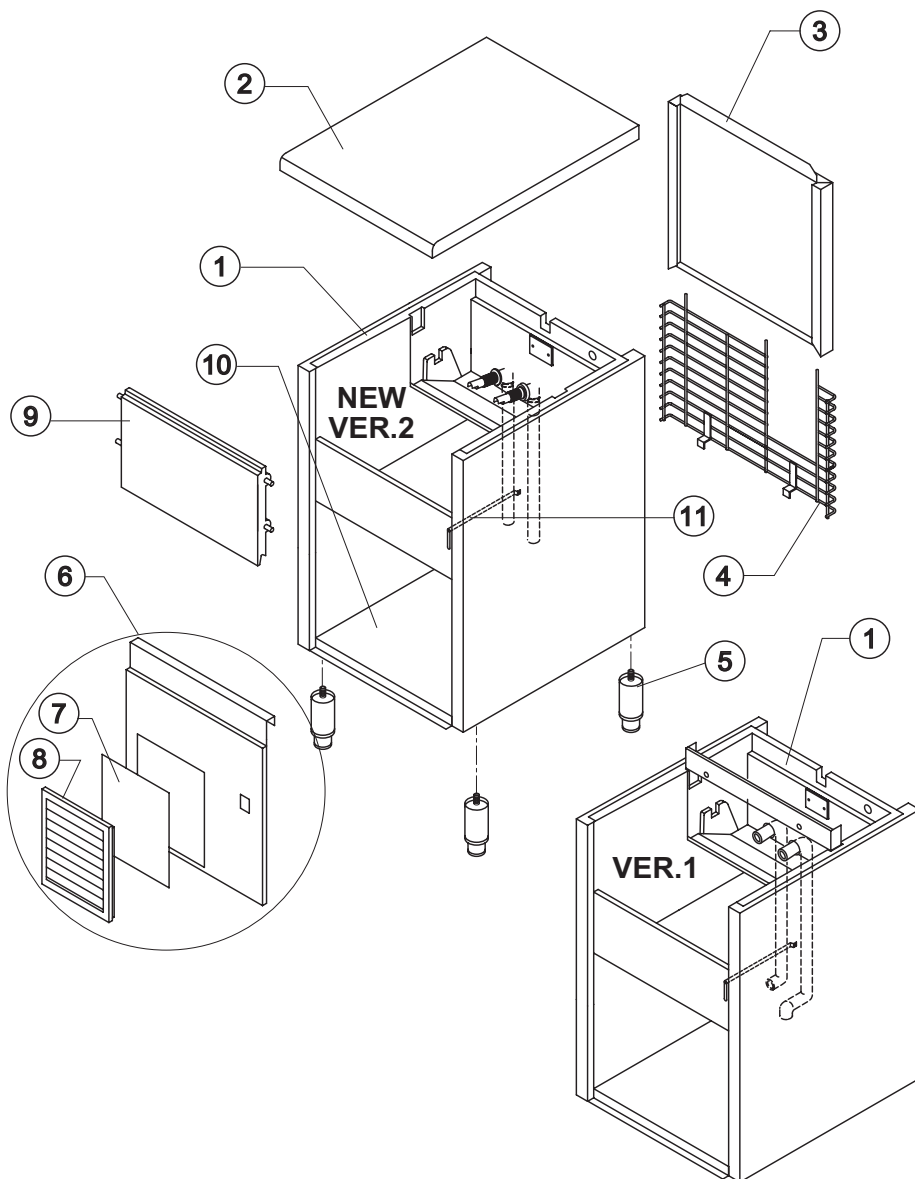
*SHELL ASSY*

*COOLING SYSTEM*

*HYDRAULIC CIRCUIT*

*ELECTRIC PARTS*

Rev. 6 - 03/08/2007



Rev. 6 - 03/08/2007

| Ref. | Spare Description               | Code             |
|------|---------------------------------|------------------|
| 1    | Foamed Cabinet Assy             | See Table        |
| 2    | Top Assembly                    | C22692           |
| 3    | Rear Panel Assembly             | C21182           |
| 4    | Rear Grid                       | D12006           |
| 5    | Adjustable Stainless Steel Foot | Current Version  |
| 5    | ABS Foot                        | Till s/n. 141256 |
| 6    | Front Grid Panel                | Current Version  |
| 6    | Front Panel                     | Till s/n. 29835  |
| 7    | Filtering Panel                 | 18106            |
| 8    | Frame + Grid & Filter           | C10205           |
| 9    | Door Assy                       | C10297           |
| 10   | Base Plate                      | Current Version  |
| 10   | Base Plate                      | Till s/n. 141256 |
| 11   | Bulb-holder Pipe                | 20522            |

**Ref. 1 - Foamed Cabinet Assy**  
Version 1

| Kind of Cube     | Code      |
|------------------|-----------|
| 18 g. (Standard) | C11004/E  |
| 33 g.            | C11004/E  |
| 13 g.            | C11004/ED |

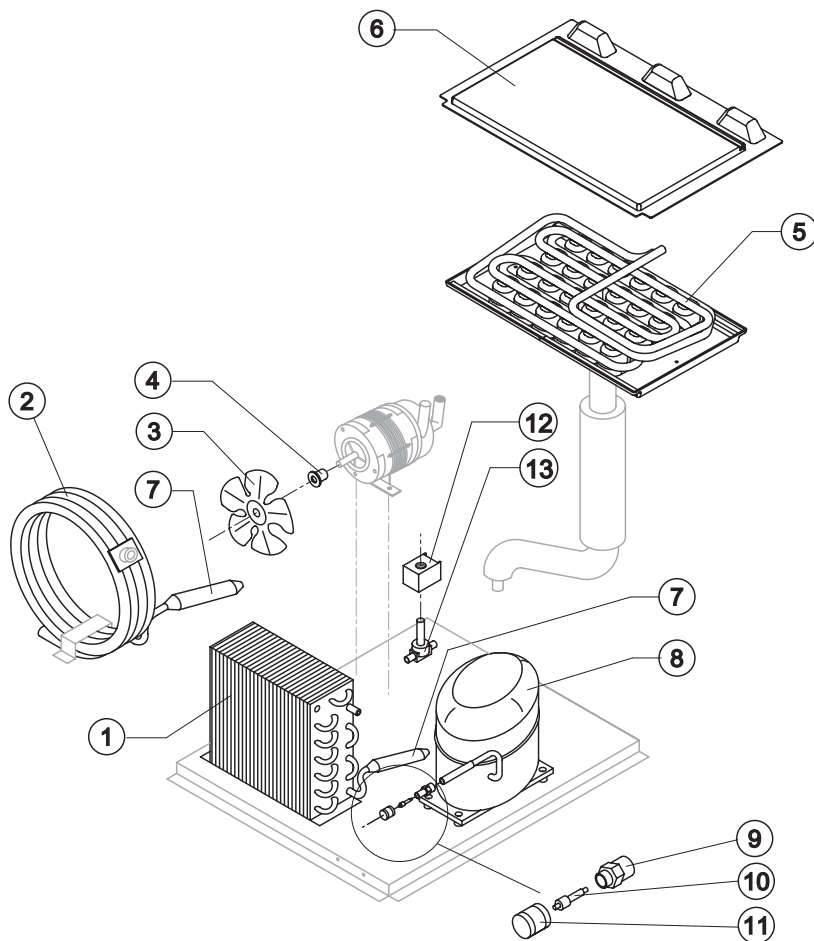
**Ref. 1 - Foamed Cabinet Assy**  
Version 2

| Condensation | Code     |
|--------------|----------|
| Air          | RC11004A |
| Water        | RC11004W |



# CB 416

# COOLING SYSTEM



### Common Parts

| Ref. | Spare Description          | Code             |
|------|----------------------------|------------------|
| 3    | Sucking Fan                | 10213            |
| 4    | Hub for the Fan Fixing     | 10014            |
| 5    | Evaporator                 | See Table        |
| 6    | Evaporator Cover Panel     | Current Version  |
| 6    | Evaporator Cover Panel     | Till s/n. 224519 |
| 7    | Molecular Filter           | 14009            |
| 8    | Compressor                 | See Table        |
| 9    | Vacuum-Charge Valve Body   | 14007            |
| 10   | Vacuum-Charge Valve Device | 14005            |
| 11   | Vacuum-Charge Valve Plug   | 14006            |
| 12   | Hot Gas Valve Coil         | See Table        |
| 13   | Hot Gas Valve Body         | 20410            |

### Parts for Air-Cooled Version Only

| Rif. | Spare Description | Code  |
|------|-------------------|-------|
| 1    | Air Condenser     | 20019 |

### Parts for Water-Cooled Version Only

| Rif. | Spare Description | Code  |
|------|-------------------|-------|
| 2    | Water Condenser   | 14014 |

### Ref. 5 - Evaporator

| Kind of Cube     | Code   |
|------------------|--------|
| 18 g. (Standard) | D10046 |
| 33 g.            | D10089 |
| 13 g.            | D10417 |
| 42 g.            | D10465 |

### Ref. 8 - Compressor

| Tension        | Code  |
|----------------|-------|
| 220/240V 50 Hz | 23437 |
| 220/230V 60 Hz | 23495 |
| 110/115V 60 Hz | 23678 |

### Ref. 12 - Hot Gas Valve Coil

| Tension        | Code  |
|----------------|-------|
| 220/240V 50 Hz | 23091 |
| 220/230V 60 Hz | 23091 |
| 110/115V 60 Hz | 23256 |

Rev. 6 - 03/08/2007



# CB 416

# HYDRAULIC CIRCUIT

## Common Parts

| Ref. | Spare Description                           |                  | Code   |
|------|---|------------------|--------|
| 1    | Ice Cubes Slide                             | See Table        | -      |
| 3    | Panel with Flags                            | Till s/n. 380157 | C22035 |
| 4    | Sprayers Bar Assy                           | See Table        | -      |
| 5    | Sprayer                                     |                  | D20002 |
| 6    | Sprayers Bar Plug                           |                  | 10012  |
| 7    | Overflow Cap                                |                  | 10305  |
| 8    | Overflow Pipe                               |                  | 10133  |
| 9    | OR Gasket for Overflow Pipe                 |                  | 20233  |
| 10   | Inner Basin                                 |                  | 10253  |
| 11   | Semirigid Polyethylene Gasket               |                  | 13007  |
| 12   | Bin Discharge Nut                           |                  | 10096  |
| 13   | Overflow Pipe                               | Current Version  | 13107  |
| 13   | Overflow Pipe                               | Till s/n. 64147  | 13012  |
| 14   | Water Outlet Nipple                         |                  | 10472  |
| 15   | Silicone Gasket                             |                  | 13006  |
| 16   | Slide Keep Plate                            |                  | 10009  |
| 17   | Sprayers Feeding Pipe                       |                  | 13005  |
| 18   | Pump Suction Filter                         |                  | 20005  |
| 20   | Fittings Locking Ring                       | Version 2        | 10405  |
| 21   | Pump Suction/Delivery Pipe                  | Version 2        | 13138  |
| 22   | Fitting for the Pump Suction/Delivery Pipes | Version 2        | 10404  |
| 23   | Gasket of the Pump Suction/Delivery Pipes   | Version 2        | 13143  |
| 24   | Pump Suction Pipe                           | Version 1        | 13013  |
| 25   | Pump Delivery Pipe                          | Version 1        | 13014  |
| 26   | Fixing Screw                                | Till s/n. 380157 | 20009  |
| 27   | Flags ABS Support                           | Current Version  | 10526  |
| 28   | Rod with Flags                              | Current Version  | C10534 |

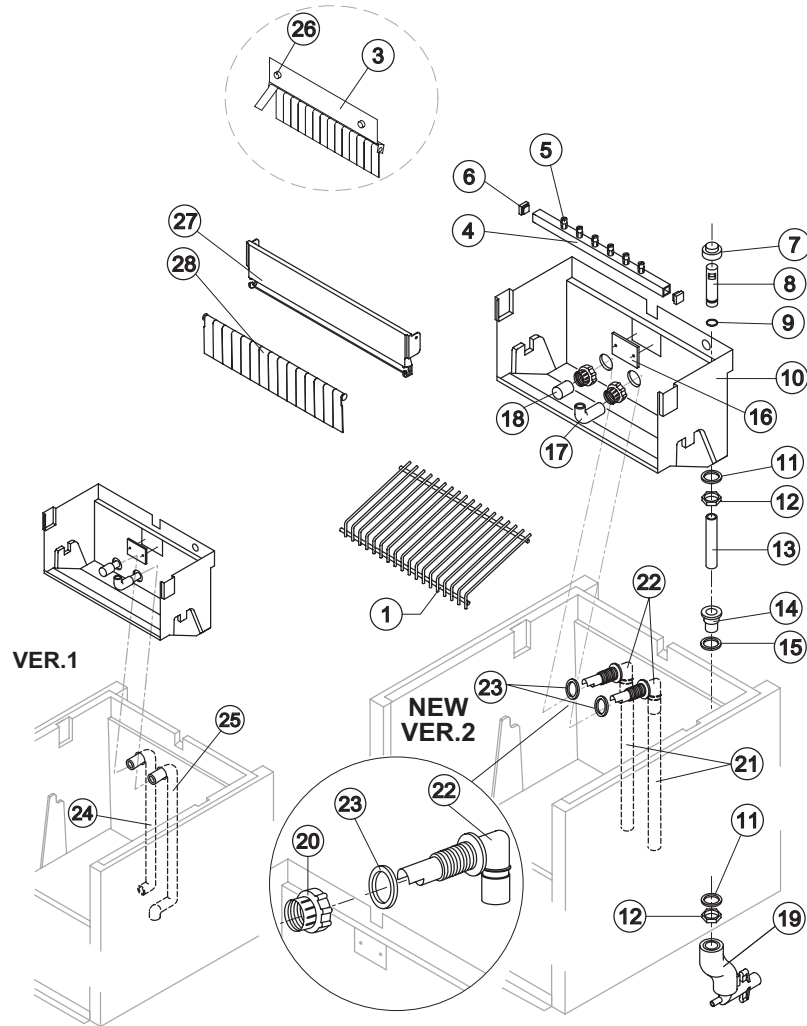
## Parts for Air Cooled Version Only

| Ref. | Spare Description   | Code   |
|------|---------------------|--------|
| 19   | Discharges Manifold | C10006 |

## Parts for Water Cooled Version Only

| Ref. | Spare Description   | Code   |
|------|---------------------|--------|
| 19   | Discharges Manifold | C26452 |

Rev. 6 - 03/08/2007



### Ref. 1 - Ice Cube Slide

| Kind of Cube     | Code   |
|------------------|--------|
| 18 g. (Standard) | D12008 |
| 33 g.            | D12030 |
| 13 g.            | D12038 |
| 42 g.            | D12030 |

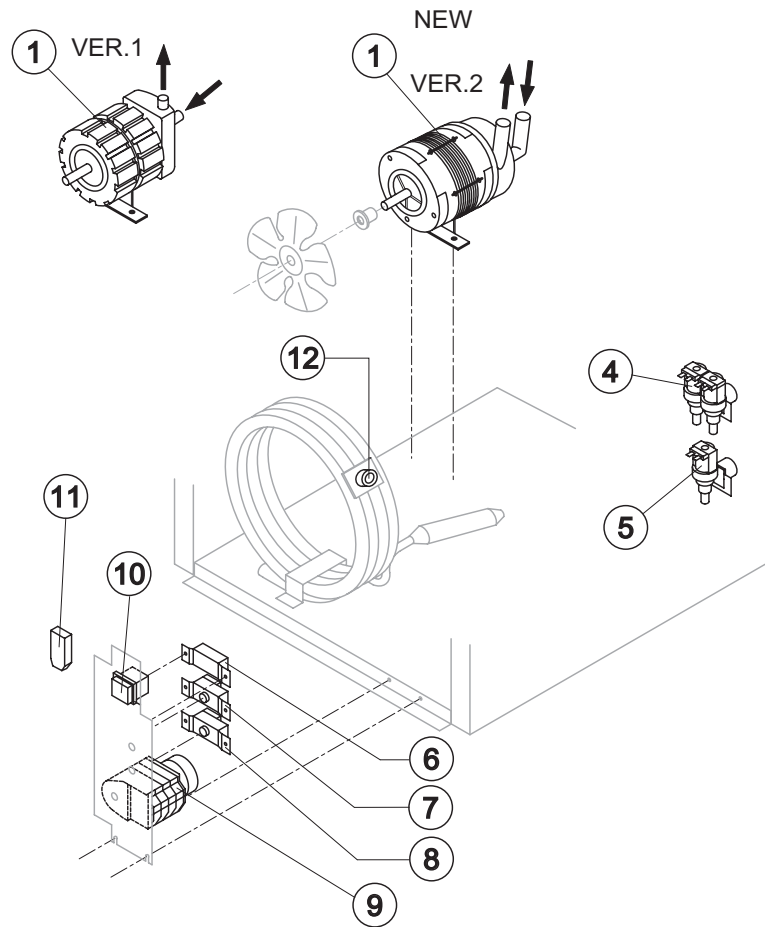
### Ref. 4 - Sprayers Bar

| Kind of Cube     | Code   |
|------------------|--------|
| 18 g. (Standard) | C20029 |
| 33 g.            | C20155 |
| 13 g.            | C20189 |
| 42 g.            | C20155 |



# CB 416

# ELECTRIC PARTS



### Common Parts

| Ref. | Spare Description           | Code      |
|------|-----------------------------|-----------|
| 1    | Pump                        | See Table |
| 7    | Bin Thermostat              | R23005    |
| 8    | Evaporator Thermostat       | R23591    |
| 9    | Timer                       | See Table |
| 10   | Green Light Switch (On-Off) | 23327     |

### Parts for Air-Cooled Version Only

| Ref. | Spare Description        | Code      |
|------|--------------------------|-----------|
| 5    | 1 Way- Water Inlet Valve | See Table |

### Parts for Water-Cooled Version Only

| Ref. | Spare Description              | Code             |
|------|--------------------------------|------------------|
| 4    | 2 Ways Water Inlet Valve       | See Table        |
| 6    | Condenser Pressure Switch      | 23175            |
| 11   | Anti Radio Interference Filter | Only 220 V 50 Hz |
| 12   | Safety Thermostat              | C23114           |

### Ref. 1 - Pump

| Tension        | Version 1 | Version 2 |
|----------------|-----------|-----------|
| 220/240V 50 Hz | 23002     | 23377     |
| 220/230V 60 Hz | 23002     | 23377     |
| 110/115V 60 Hz | 23264     | 23663     |

### Ref. 4 - 2 Ways- Water Inlet Valve

| Tension        | Code  |
|----------------|-------|
| 220/240V 50 Hz | 23010 |
| 220/230V 60 Hz | 23010 |
| 110/115V 60 Hz | 23261 |

### Ref. 5 - 1 Way- Water Inlet Valve

| Tension        | Code  |
|----------------|-------|
| 220/240V 50 Hz | 23001 |
| 220/230V 60 Hz | 23001 |
| 110/115V 60 Hz | 23260 |

### Ref. 9 - Timer

| Tension        | 18 g Cube | 33 g Cube | 13 g Cube | 42 g Cube |
|----------------|-----------|-----------|-----------|-----------|
| 220/240V 50 Hz | 23222     | 23248     | 23247     | 23780     |
| 220/230V 60 Hz | 23248     | 23780     | 23247     | 23780     |
| 110/115V 60 Hz | 23259     | 23786     | 23258     | 23786     |