



**Kochgeräte  
Kipp-Bratpfannen Serie 700**

Artikel-Nr. 137201  
(418031-372530XI)

---

**Explosionszeichnung**

---

## SPARE PARTS CATALOGUE

### Introduction:

This catalog enables to recognize our appliances' main spare parts reading the single exploded views.

### How to look up in our catalogue :

Hereunder we describe the correct method to look up in our catalogue, in order to locate the desired spare part in a quicker and more precise way.

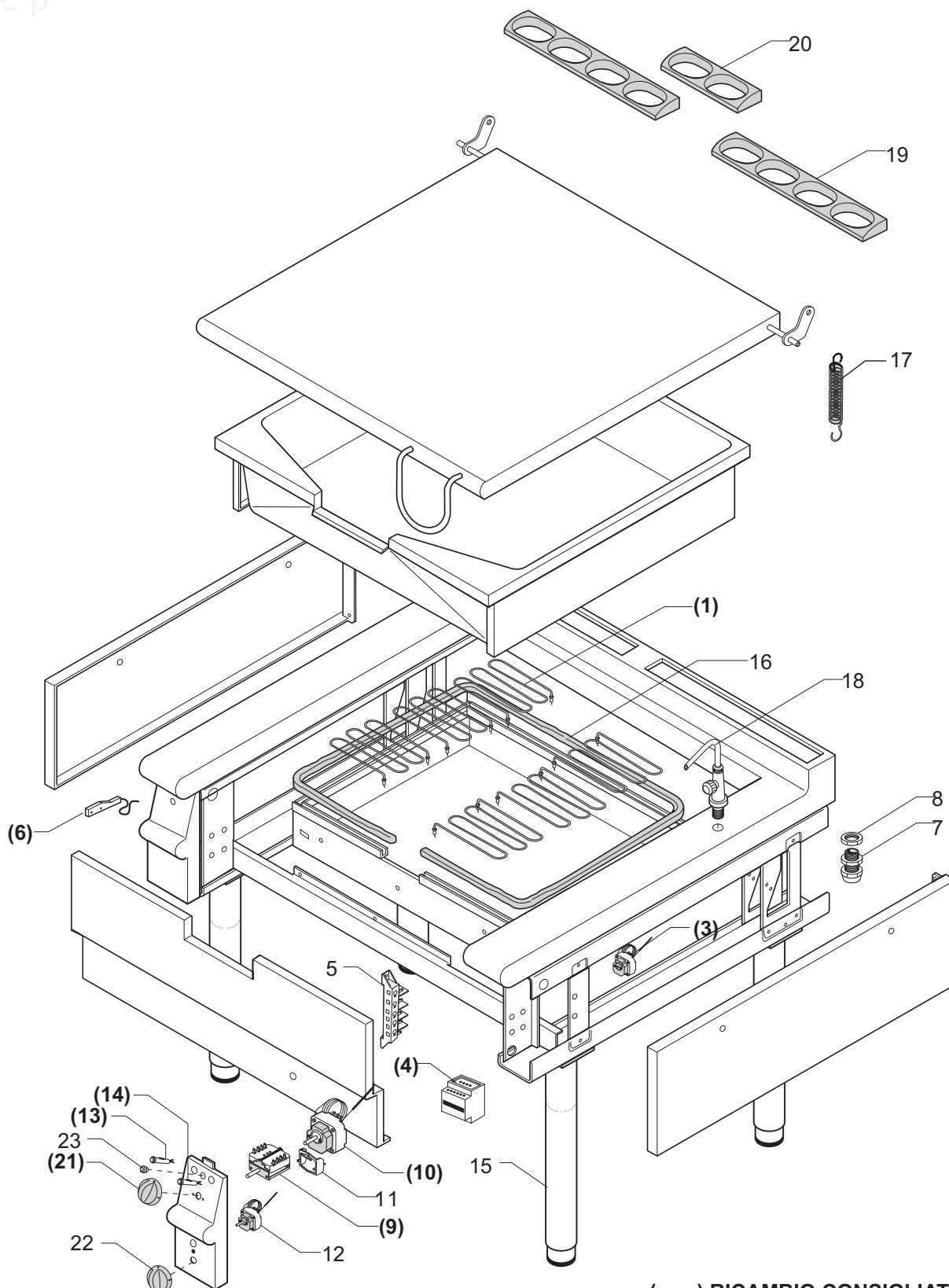
**For Example:** You need the component's code-number of a gasrange with burners 1/1M.

- 1) Find the appliance's model and serial number on the rating plate.  
(The rating plates are positioned in the internal side of the control panel).
- 2) Search for the belonging family in the index (BCPxxx-(0B)) . (f.ex. Gasrange with burners - top 1/1M).
- 3) After you have found the corresponding table you verify if the appliance's serial number is subsequent to that one indicated in the table.
- 4) You locate the desired spare part in the drawing on the left, and find the corresponding position in the table on the right.
- 5) Hence you obtain the codenumber and the description of the spare part you need.

### LEGEND:

Position on the EXPLODED VIEW			X => Recommended spare part			
Article's codenr.		Technical description	Quantity x each model		Series	
					1/2M => L=40 cm.	
					1/1M => L=80 cm.	
					1+1/2M => L=120 cm.	
Pos	Codice	Descrizione	700	1/1M		
1	822410081	Medium burner head (Dm.102)		1		
2	822410051	Medium venturi duct (Dm.102)		1		
14	826920140	Pilot burner	x	2		

cine p



(.....) RICAMBIO CONSIGLIATO  
(.....) SUGGESTED SPARE-PARTS

**BRASIERA ELETTRICA (Serie 700)**  
ELECTRIC BRATT PANS (Serie 700)

**Tav. Rif. BCP0070-(74)**

RIF. Da matricola n°  
REF. From serial n°

Rev.00 del 14/01/1999

Baron Cucine Professionali S.r.l.

RIPRODUZIONE, ANCHE PARZIALE, VIETATA

**BCP0070-(73)**

# ELECTRIC BRATT PANS

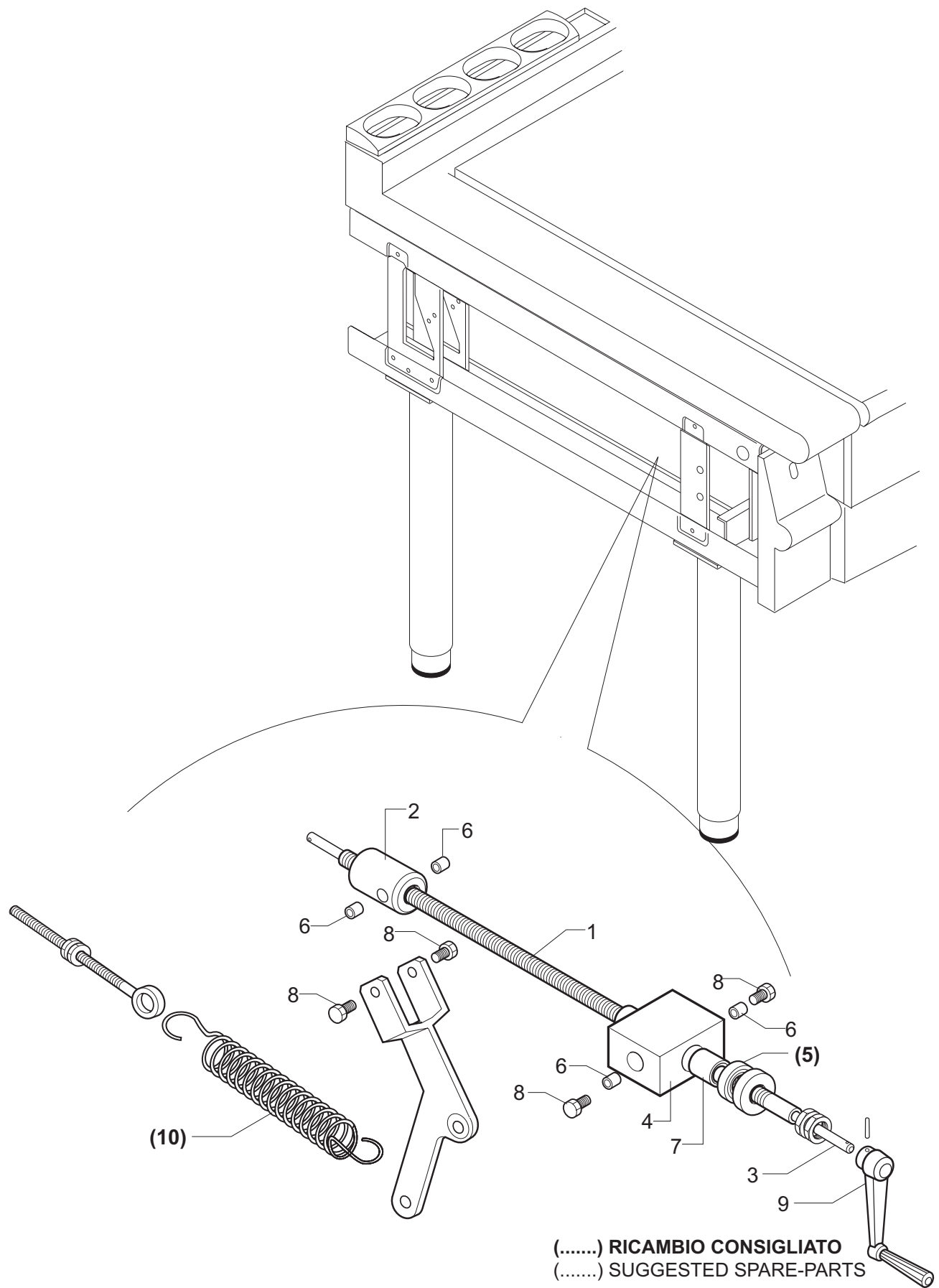
cine p

Pos	Code	Denomination	700					
1	826620090	Heating element 700	x 6					
3	826630130	Safety thermostat 360°C	x 1					
4	826630300	Remote control switch 230V - 25A	x 1					
5	826630100	Terminal board FV 122/B	1					
6	826630310	Micro-switch	x 1					
7	824710200	Cable retainer PG21	1					
8	824710210	Lock nut PG21	1					
9	826630290	Bipolar switch	x 1					
10	826630191	Monophase thermostat 50-320°C	x 1					
11	821550060	Connection pivot for electric components	1					
13	826650030	Signal lamp 230V (orange)	x 1					
14	826650020	Signal lamp 230V (green)	x 1					
15	826490381	2" Leg assembly	4					
16	825110080	Gasket (per meter)	1,9					
17	823210031	Cover spring	2					
18	826900260	Water inlet tap	1					
19	822410120	Exhaust grid	2					
20	822410130	Exhaust grid L=200mm	1					
21	824710270	Thermostat knob 50-300°C	x 1					
22	824710260	Energy regulator for knob	x 1					
23	824710080	Red index	1					

**X : Suggested PARTS**

**BRASIERA ELETTRICA (Serie 700 - 1/1M)**  
ELECTRIC BRATT PANS

RIF. Da matricola n°  
REF. From serial n°



**GRUPPO SOLLEVAMENTO VASCA (Serie 700)**  
TANIC TILTING SET (Serie 700)

**Tav. Rif. BCP0070-(76)**

RIF. Da matricola n°  
REF. From serial n°

Rev.00 del 14/01/1999

**Baron Cucine Professionali S.r.l.**

RIPRODUZIONE, ANCHE PARZIALE, VIETATA

**BCP0070-(75)**

## ELECTRIC BRATT PANS TANIC TILTING SET

Pos	Code	Denomination	700						
1	822160171	Screw for tanic tilting	1						
2	822160160	Trapezoidal female screw	1						
3	822160140	Rod for handle	1						
4	822160151	Guide for screw for tanic tilting	1						
5	826900240	Roller D=17 H=12	<b>x</b>	1					
6	8227908086	Bushing GL YCODUR D=8 H=8	4						
7	8227909176	Bushing GL YCODUR D=17 L=20	1						
8	822160130	Special screw for actioning	4						
9	826900620	Handle	1						
11	823210020	Tilting spring 700 tanic	<b>x</b>	1					

**X : Suggested PARTS**

<b>GRUPPO SOLLEVAMENTO VASCA (Serie 700 - 1/1M)</b> TANIC TILTING SET	RIF. REF.	Da matricola n° From serial n°
<b>Baron Cucine Professionali S.r.l.</b>	<b>GB</b>	<b>BCP0070-(76)</b>