

544469600 (54)
544469700 (56)

541177400 (L-54G)
541181600 (R-54G)
541177500 (L-54GS)
541181700 (R-54GS)
541178000 (L-56G)
541179800 (LR-56G)
541182200 (R-56G)
541178100 (L-56GS)
541179900 (LR-56GS)
541182300 (R-56GS)

541096200 (54)
541096300 (56)

531056900

544023800 (L/LR)

544470100

544023901

541133800

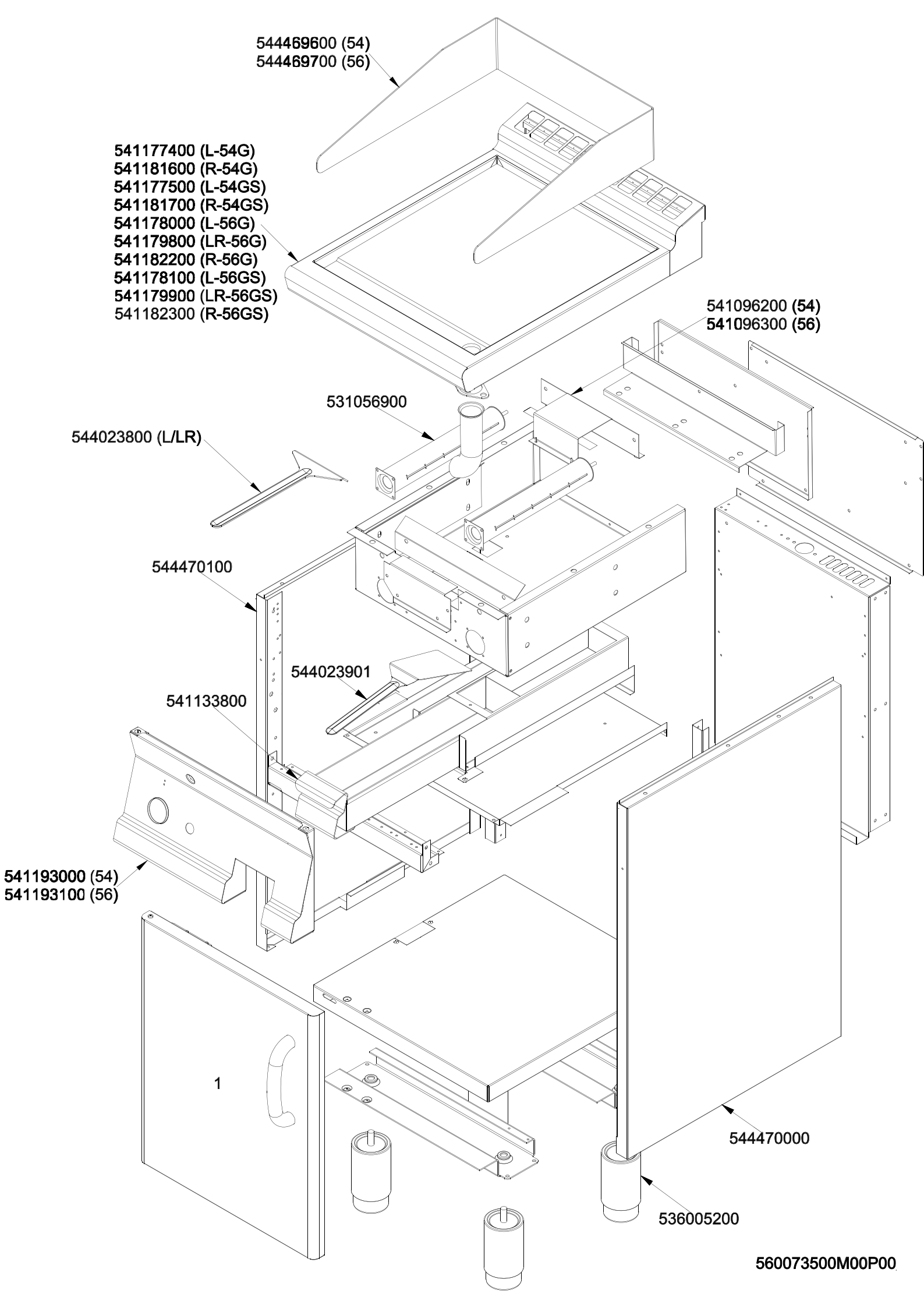
541193000 (54)
541193100 (56)

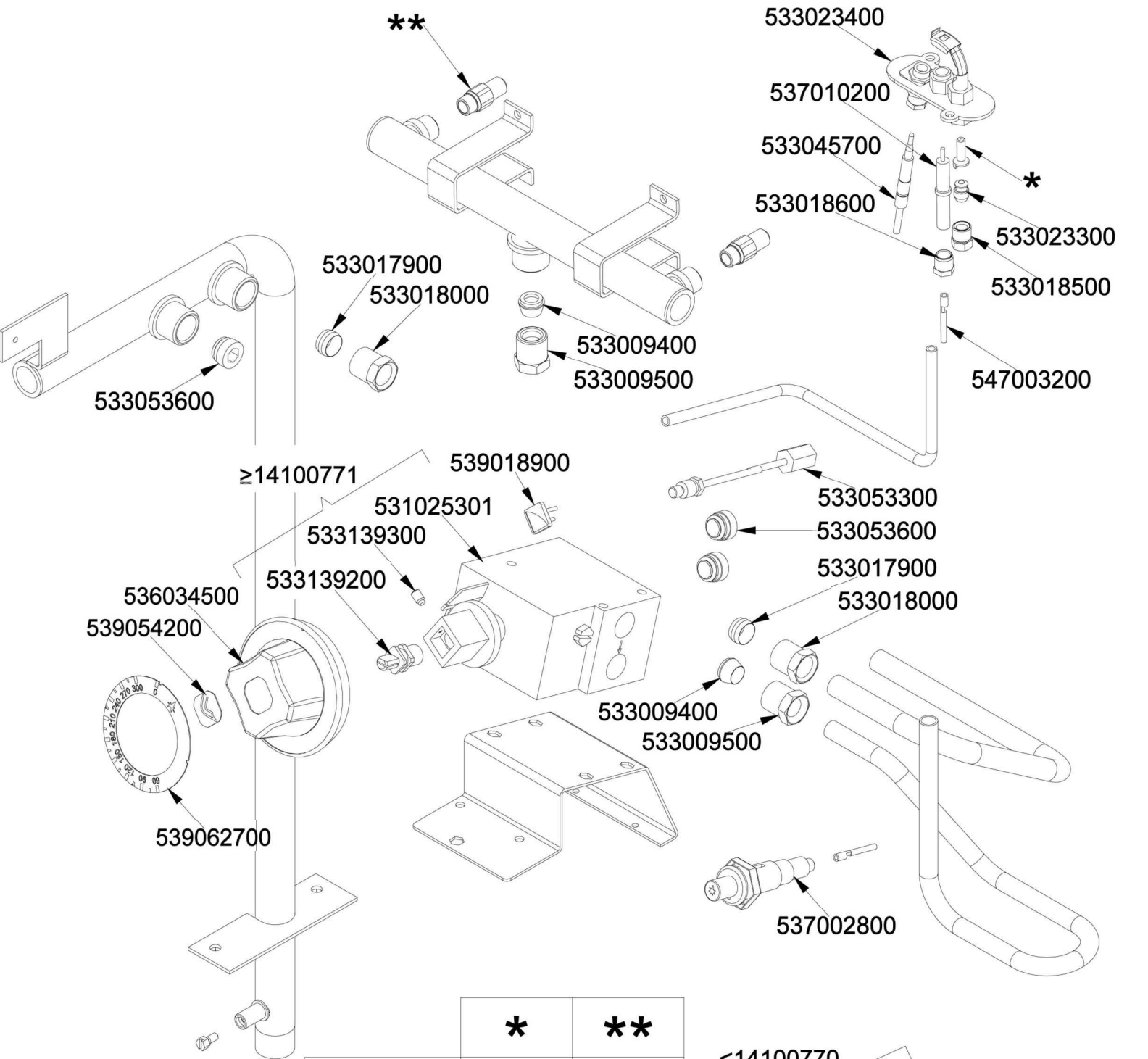
1

544470000

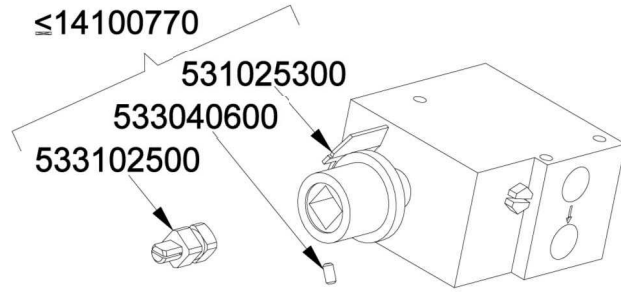
536005200

560073500M00P00

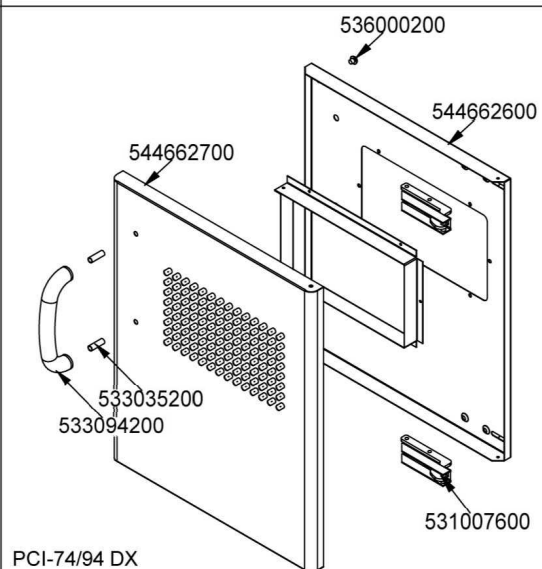
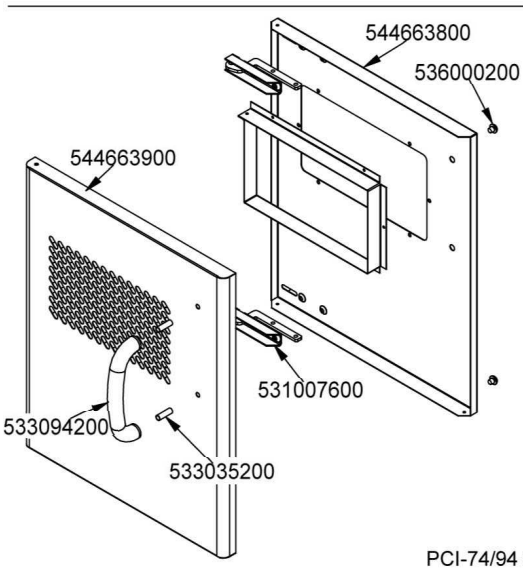
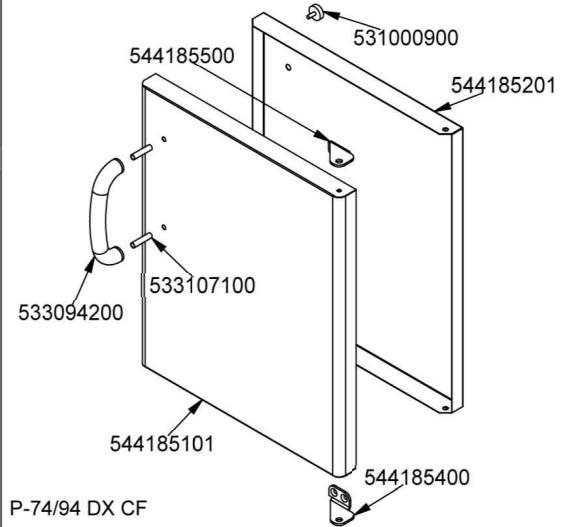
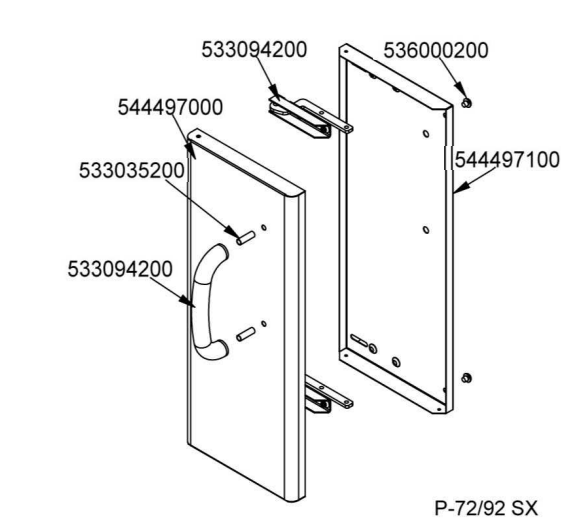
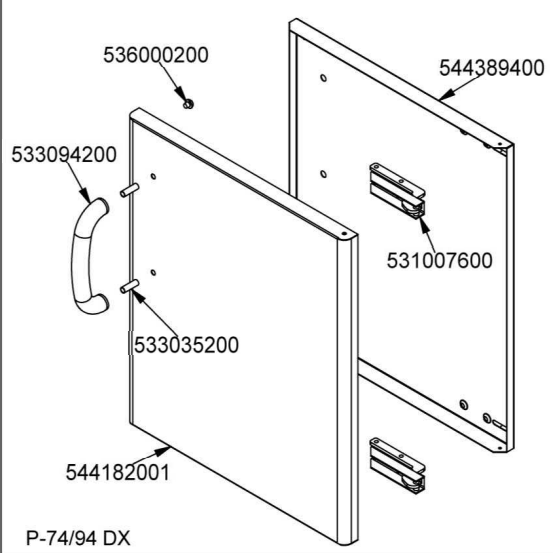
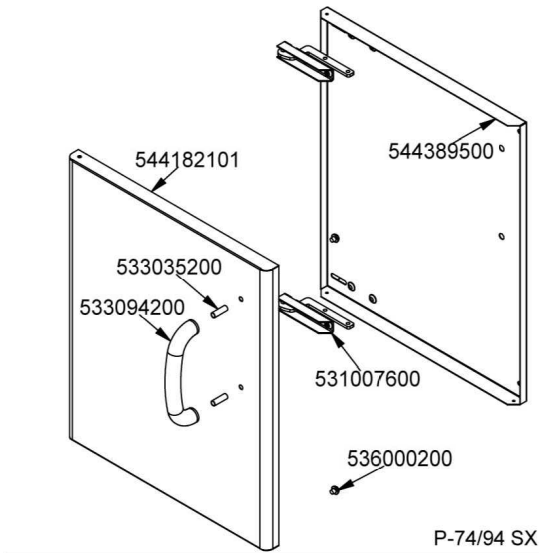
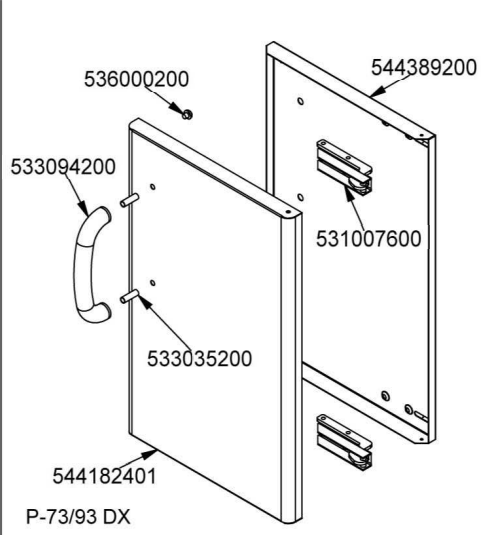
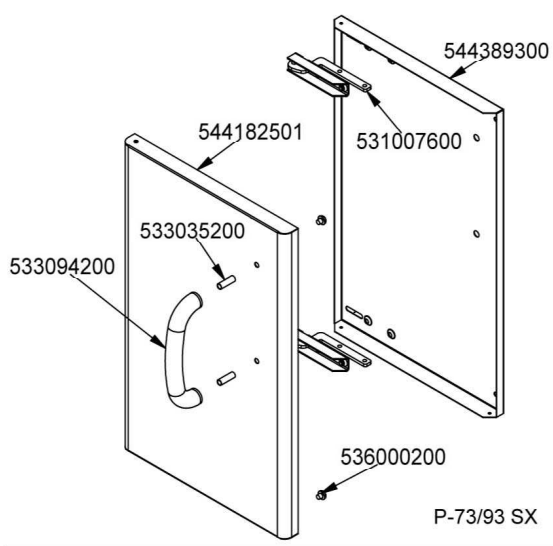




	*	**
G30-28+30mbar G31- 37mbar	533020500	533033000
G30- 50mbar	533020500	533109400
G20- 20mbar G25- 25mbar	533020600	533031201
G20- 20mbar DE-AT	533020600	533031201
G25- 20mbar	533020600	533057300
G25- 25mbar NL	533020600	533031300
G20- 25mbar	533020600	533031700



560073600M02P00



Page	Pos	Code	Description
001		544469700	
001		541178000	UPPER PLATE FTL -5 6G
001		541178100	UPPER PLATE FTL -5 6GS
001		541096300	BURNER SUPPORT FT-76G FT-712G
001		531056900	BURNER TUB.02,5 KW FT 55
001		544023800	SPATTLE FOR GROOVED GRIDDLE
001		544470100	LHD SIDE OF 55M
001		544023901	SPATTLE FOR FRY-TOP
001		541133800	DRIP TRAY FT-55
001		541193100	CONTROL PANEL 607090 FTT-6 6G
001		544470000	RHD SIDE OF 55M
001		536005200	INOX LEG 2" 120-180 M10
002		533023400	"TARGET" PILOT + NIPPLE TC
002		537010200	ROUND PLUG §2,4 - SHORT ELECTRODE
002		533045700	THERMOCOUPLE M9*1 500
002		533018600	PLUG FITTING
002		533023300	BICONE §6 ("TARGET" PILOT
002		533018500	FITTING FOR BICONE D.6 M10*1
002		533017900	BICONE D.12
002		533018000	ELBOW FOR BICONE D.12 3/8 RS L20
002		533009400	BICONE 10S
002		533009500	NIPPLE FOR BICONE 10S
002		547003200	HIGH-VOLTAGE CABLE TUBE.§2 L=500
002		533053600	EUROSIT VALVE PLUG
002		539018900	INDEX FOR KNOB W/RED SIGN
002		531025301	EUROSIT VALVE 80-320°C FT M.OT.
002		533139300	BURNISH HEADLESS SCREW M05*05 PCEI
002		533139200	SHORT PIVOT FOR BRASS KNOB
002		536034500	KNOB §77 4P. §08*6,5
002		539054200	STAMP Ø20,5 CR."L" LOTUS R.
002		533053300	THERMOCOUPLE EXTENSION M9*1
002		539062700	RED STICKING DISK 72 (060,300°
002		537002800	PIEZOELECTRIC IGNITION M18 WITH NUT
002		531025300	VALVE EUROSIT FT 80-320°C
002		533040600	HEADLESS SCREW M4*8
002		533102500	SHORT PIVOT FOR PLASTIC KNOB
002		533020500	NOZZLE 0.140 §19
002		533020600	NOZZLE 0.140 §27
002		533033000	NOZZLE §075 CH12X30,0
002		533109400	NOZZLE CH12X30,0 Ø065
002		533031201	NOZZLE D.I 110 G20
002		533057300	NOZZLE §125 CH12*30 M-FT6
002		533031300	NOZZLE §120 CH12*30,0
002		533031700	NOZZLE §105 CH-12*30 G30 CE GFT6
003		544389300	CONTROP.73 SX APP. LT
003		531007600	DOOR HINGE
003		544182501	LEFT DOOR 73
003		533094200	S/S HANDLE FOR 70/90 SERIES
003		533035200	HANDLE SPACER
003		536000200	D.12 H.4 BUMPER
003		544389200	CONTROP.73 DX APP. LT

Page	Pos	Code	Description
003		544182401	RIGHT DOOR 73
003		544182101	LEFT DOOR 74
003		544389500	INNER-DOOR OF LHD 74
003		544389400	CONTROP.74 DX APP. LT
003		544182001	RIGHT DOOR 74
003		544497000	PORTA 72 SX
003		544497100	CONTROP.72 SX APP. LT
003		544185101	RIGHT DOOR 74 CF
003		533107100	HANDLE SPACER OF CF-70
003		544185500	UPPER DOOR HINGE FOR COMPARTME CF70
003		531000900	MAGNET §22 KG.3 WITH DISK
003		544185201	INNER DOOR * 74DX
003		544185400	LOWER DOOR HINGE FOR COMPARTME CF70
003		544663900	LHD 74 DOOR FOR PCI
003		544663800	74 LHD OVEN INNER DOOR FOUR PCI
003		544662700	DOOR 74 DX PCI
003		544662600	CONTROP.74 DX APP. LT PCI