

NDE550 & NDE650 SERVICE PARTS

This parts list contains the service parts and wiring diagrams for this model. Check the model number of the machine requiring the parts to be sure that this is the correct parts list.

NDE550s and NDE650s have been made in 115 volt, 60 Hz and 230 volt 50 Hz.

Model numbers for the 115 volt models include:

NDE550AE-1A and NDE550WE-1A

NDE650AE-1A and NDE650WE-1A

Model numbers for the 230 volt models include:

NDE550AE-6A and NDE550WE-6A

NDE650AE-6A and NDE650WE-6A

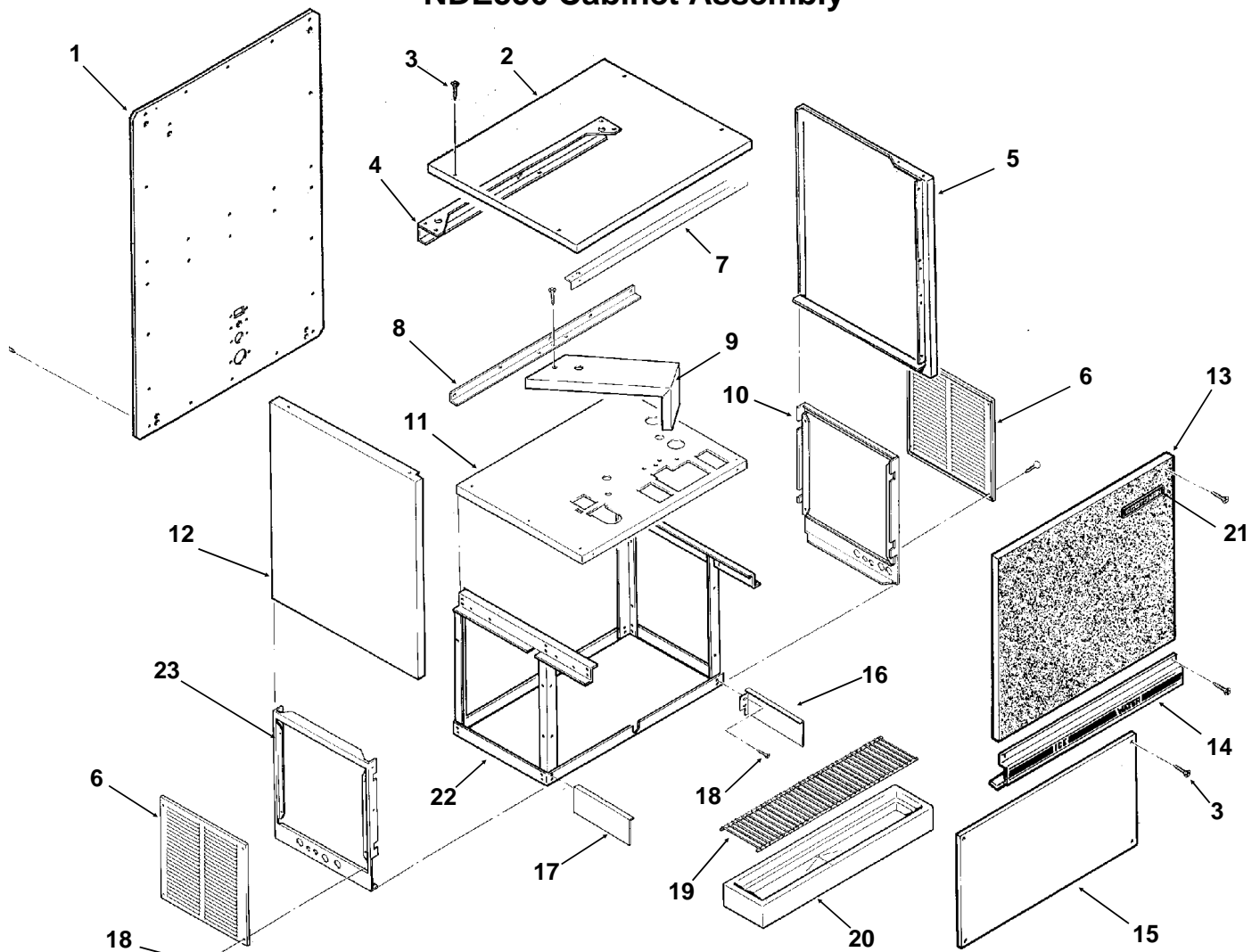
Note: The liquid line filter drier listed in this parts list is designed for this refrigeration system. Premature failure may result if the wrong drier is used.

TABLE OF CONTENTS

| | |
|--------------------------------------|---------|
| Cabinet Assembly - NDE550 | Page 2 |
| Cabinet Assembly - NDE650 | Page 3 |
| Air Cooled Refrigeration | Page 4 |
| Water Cooled Refrigeration | Page 5 |
| Ice Dispensing | Page 6 |
| Evaporator | Page 7 |
| Gearmotor Assembly | Page 8 |
| Control Box | Page 9 |
| Water System | Page 10 |
| Kits | Page 11 |
| Wiring Diagrams | Page 12 |

NDE550 & NDE650 SERVICE PARTS

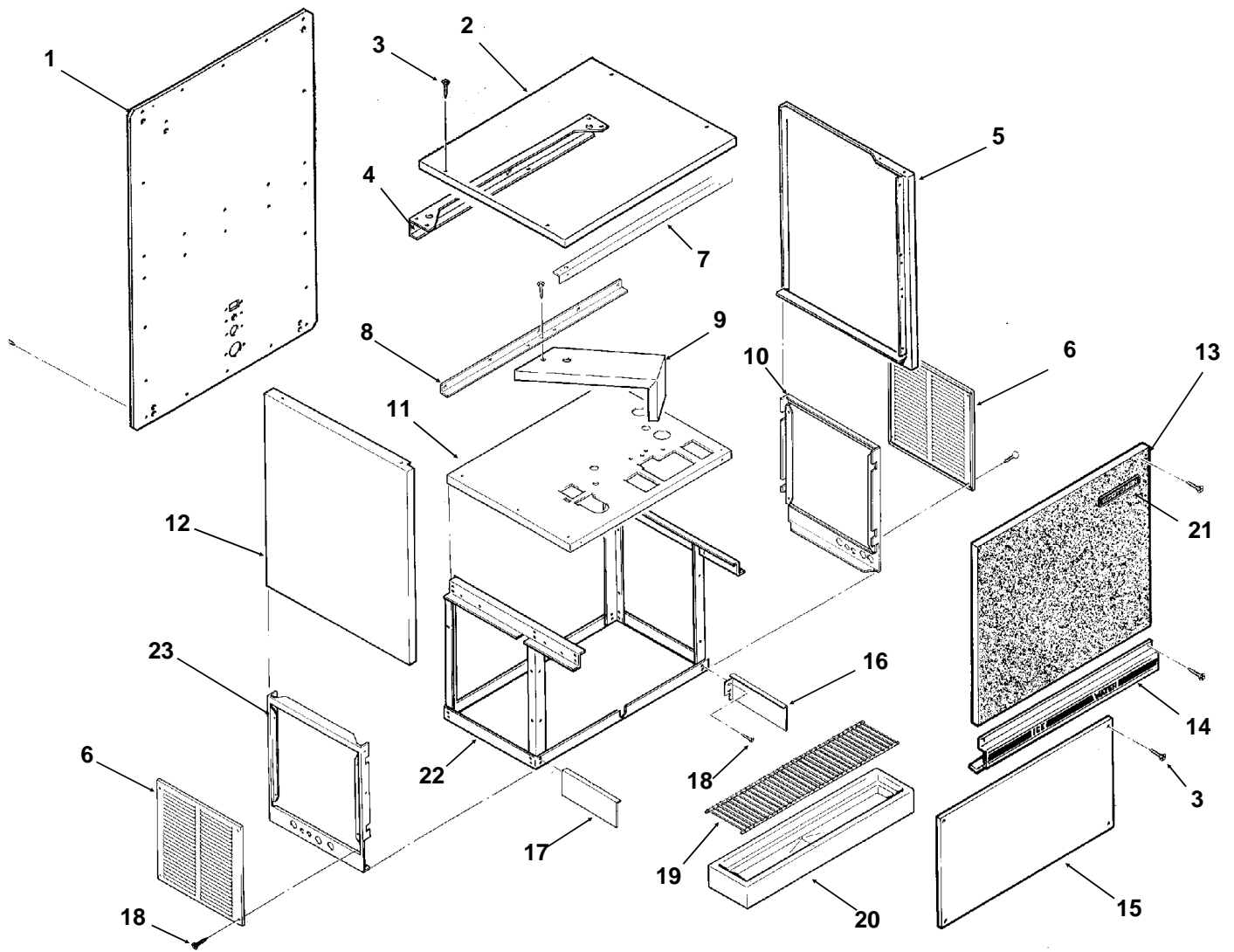
NDE550 Cabinet Assembly



| ITEM NUMBER | PART NUMBER | DESCRIPTION | ITEM NUMBER | PART NUMBER | DESCRIPTION |
|-------------|-------------|----------------------------|-------------|-------------|----------------------------|
| 1 | A32954-001 | Back Panel, sandalwood | 11 | A32956-015 | Upper plate assembly gray |
| | A32954-015 | Back panel, gray | 12 | A32947-001 | Lt. side panel, sandalwood |
| | A32954-002 | Back Panel, stainless | | A32947-015 | Left side panel, gray |
| 2 | A32948-001 | Top Panel, sandalwood | | A32947-002 | Lt. side panel, ss |
| | A32948-015 | Top panel, gray | 13 | A32946-001 | Up front panel, sandalwood |
| | A32948-002 | Top Panel, stainless | | A32946-002 | Upper front panel, gray |
| 3 | 03-1419-16 | Panel screw | | A34393-001 | Up front panel, stainless |
| 4 | A32938-015 | Hanger Brace - gray | 14 | A33198-001 | Control panel assembly |
| 5 | A32947-003 | Rt. side panel, sandalwood | 15 | A32944-001 | Lower front panel |
| | A32947-016 | Right side panel, gray | 16 | A34917-015 | RH sink support gray |
| | A32947-004 | Rt. side panel, stainless | 17 | A34917-015 | LH sink support gray |
| 6 | A33113-001 | Service panel, sandalwood | 18 | 03-1405-17 | Screw |
| | A33113-015 | Service panel, gray | 19 | 02-2951-01 | Grill |
| | A33113-002 | Service panel, stainless | 20 | 02-2944-01 | Sink, brown |
| 7 | A32939-015 | Front brace - gray | | 02-2944-02 | Sink, gray |
| 8 | A32940-015 | Support angle - gray | 21 | 15-0808-01 | Emblem |
| 9 | A32949-015 | Gearmotor Support - gray | 22 | A32958-001 | Lower frame assy |
| 10 | A32953-001 | Rt. side lower, sandalwood | 23 | A32952-001 | Lt side lower, sandalwood |
| | A32953-015 | Right side lower, gray | | A32952-015 | Left side lower, gray |
| | A32953-002 | Rt. side lower, stainless | | A32952-002 | Lt side lower, stainless |

NDE550 & NDE650 SERVICE PARTS

NDE650 Cabinet

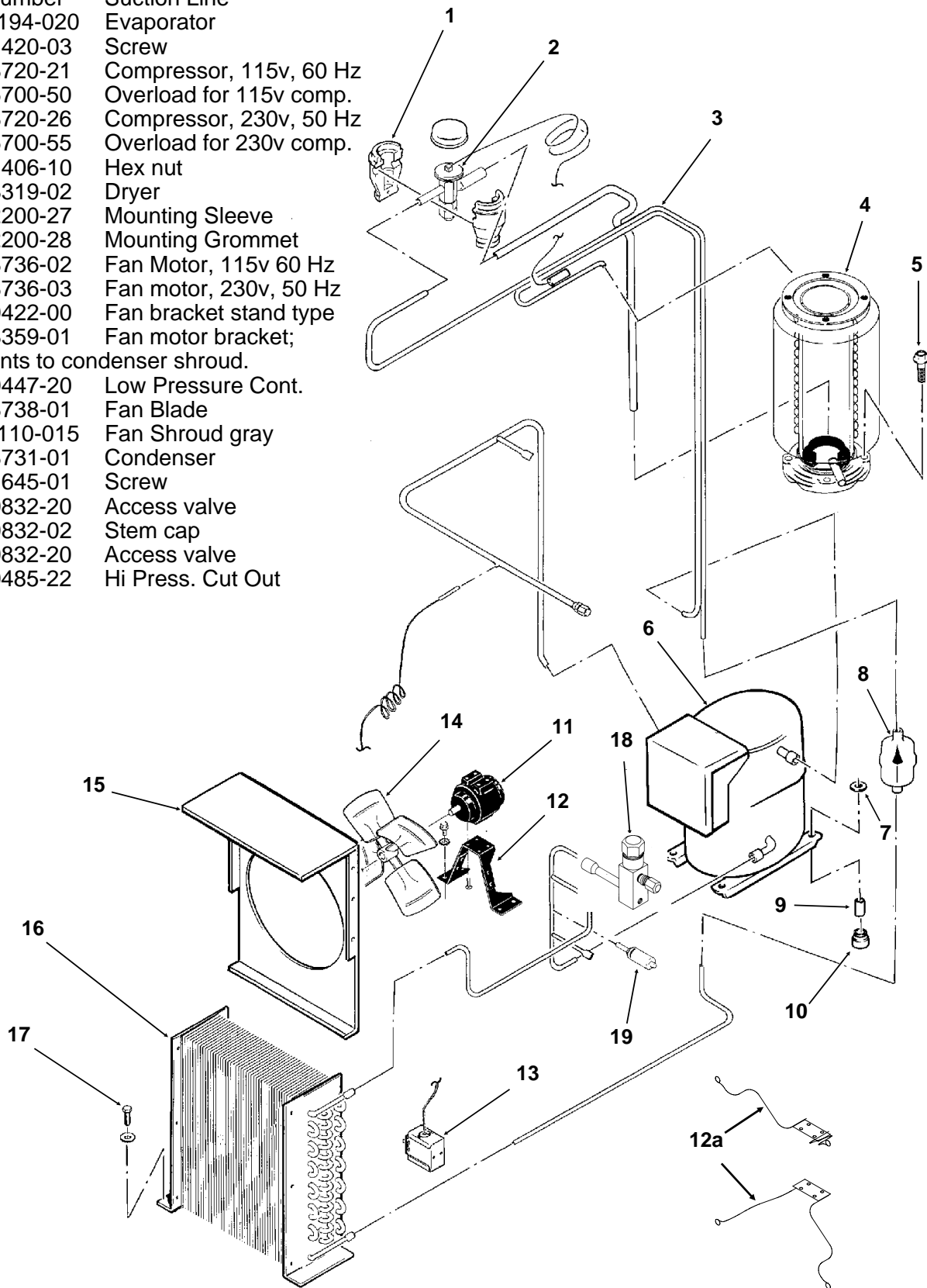


| ITEM NUMBER | PART NUMBER | DESCRIPTION | ITEM NUMBER | PART NUMBER | DESCRIPTION |
|-------------|-------------|----------------------------|-------------|-------------|----------------------------|
| 1 | A33112-001 | Back Panel, sandalwood | 11 | A32956-015 | Upper plate assembly gray |
| | A33112-015 | Back panel, gray | 12 | A33109-001 | Lt. side panel, sandalwood |
| | A33112-002 | Back Panel, stainless | | A33109-015 | Left side panel, gray |
| 2 | A32948-001 | Top Panel, sandalwood | | A33109-002 | Lt. side panel, ss |
| | A32948-015 | Top panel, gray | 13 | A33108-001 | Up front panel, paint |
| | A32948-002 | Top Panel, stainless | | A33108-002 | Upper front panel, gray |
| 3 | 03-1419-16 | Panel screw | | A34394-001 | Up front panel, stainless |
| 4 | A32938-015 | Hanger Brace gray | 14 | A33198-001 | Control panel assembly |
| 5 | A33109-003 | Rt. side panel, sandalwood | 15 | A32944-001 | Lower front panel |
| | A33109-016 | Right side panel, gray | 16 | A34917-015 | RH sink support gray |
| | A33109-004 | Rt. side panel, stainless | 17 | A34917-015 | LH sink support gray |
| 6 | A33113-001 | Service panel, sandalwood | 18 | 03-1405-17 | Screw - Hex cap |
| | A33113-015 | Service panel, gray | 19 | 02-2951-01 | Grill |
| | A33113-002 | Service panel, stainless | 20 | 02-2944-01 | Sink, brown |
| 7 | A32939-015 | Front Brace gray | | 02-2944-02 | Sink, gray |
| 8 | A32940-015 | Support angle gray | 21 | 15-0808-01 | Emblem |
| 9 | A33107-015 | Gearmotor Support gray | 22 | A32958-001 | Lower frame assy |
| 10 | A32953-001 | Rt. side lower, sandalwood | 23 | A32952-001 | Lt side lower, sandalwood |
| | A32953-015 | Right side lower, gray | | A32952-015 | Left side lower, gray |
| | A32953-002 | Rt. side lower, stainless | | A32952-002 | Lt side lower, stainless |

NDE550 & NDE650 SERVICE PARTS

Air Cooled Refrigeration

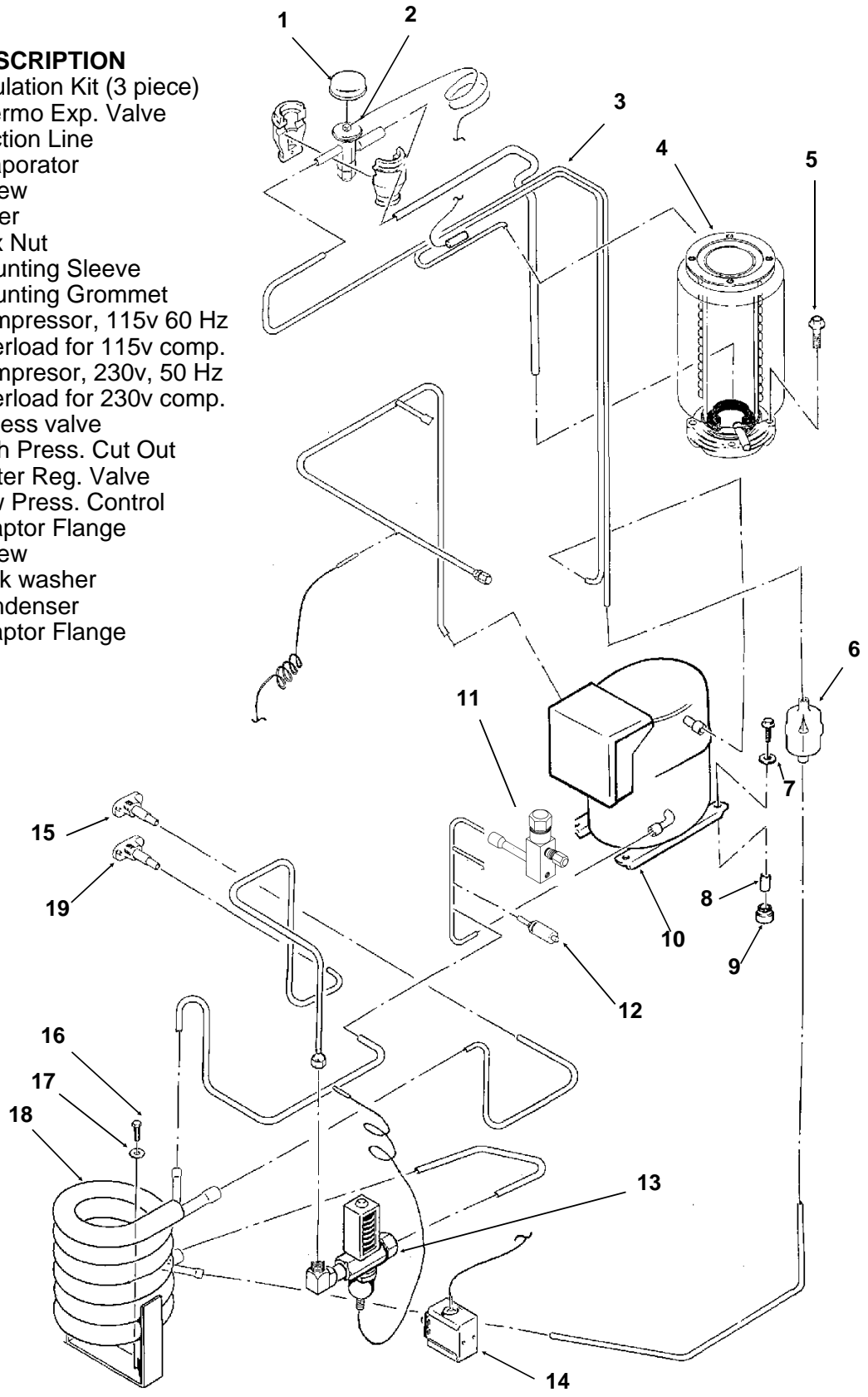
| ITEM NUMBER | PART NUMBER | DESCRIPTION |
|-------------|-------------|--|
| 1 | A32961-020 | Insulation Kit (3 piece) |
| 2 | 11-0488-21 | Thermo Expansion Valve |
| 3 | no number | Suction Line |
| 4 | A33194-020 | Evaporator |
| 5 | 03-1420-03 | Screw |
| 6 | 18-8720-21 | Compressor, 115v, 60 Hz |
| | 18-5700-50 | Overload for 115v comp. |
| | 18-8720-26 | Compressor, 230v, 50 Hz |
| | 18-5700-55 | Overload for 230v comp. |
| 7 | 03-1406-10 | Hex nut |
| 8 | 02-3319-02 | Dryer |
| 9 | 18-2200-27 | Mounting Sleeve |
| 10 | 18-2200-28 | Mounting Grommet |
| 11 | 18-8736-02 | Fan Motor, 115v 60 Hz |
| | 18-8736-03 | Fan motor, 230v, 50 Hz |
| 12 | 18-0422-00 | Fan bracket stand type |
| 12a | 02-3359-01 | Fan motor bracket; mounts to condenser shroud. |
| 13 | 11-0447-20 | Low Pressure Cont. |
| 14 | 18-8738-01 | Fan Blade |
| 15 | A33110-015 | Fan Shroud gray |
| 16 | 18-8731-01 | Condenser |
| 17 | 03-1645-01 | Screw |
| 18 | 16-0832-20 | Access valve |
| | 16-0832-02 | Stem cap |
| | 16-0832-20 | Access valve |
| 19 | 11-0485-22 | Hi Press. Cut Out |



NDE550 & NDE650 SERVICE PARTS

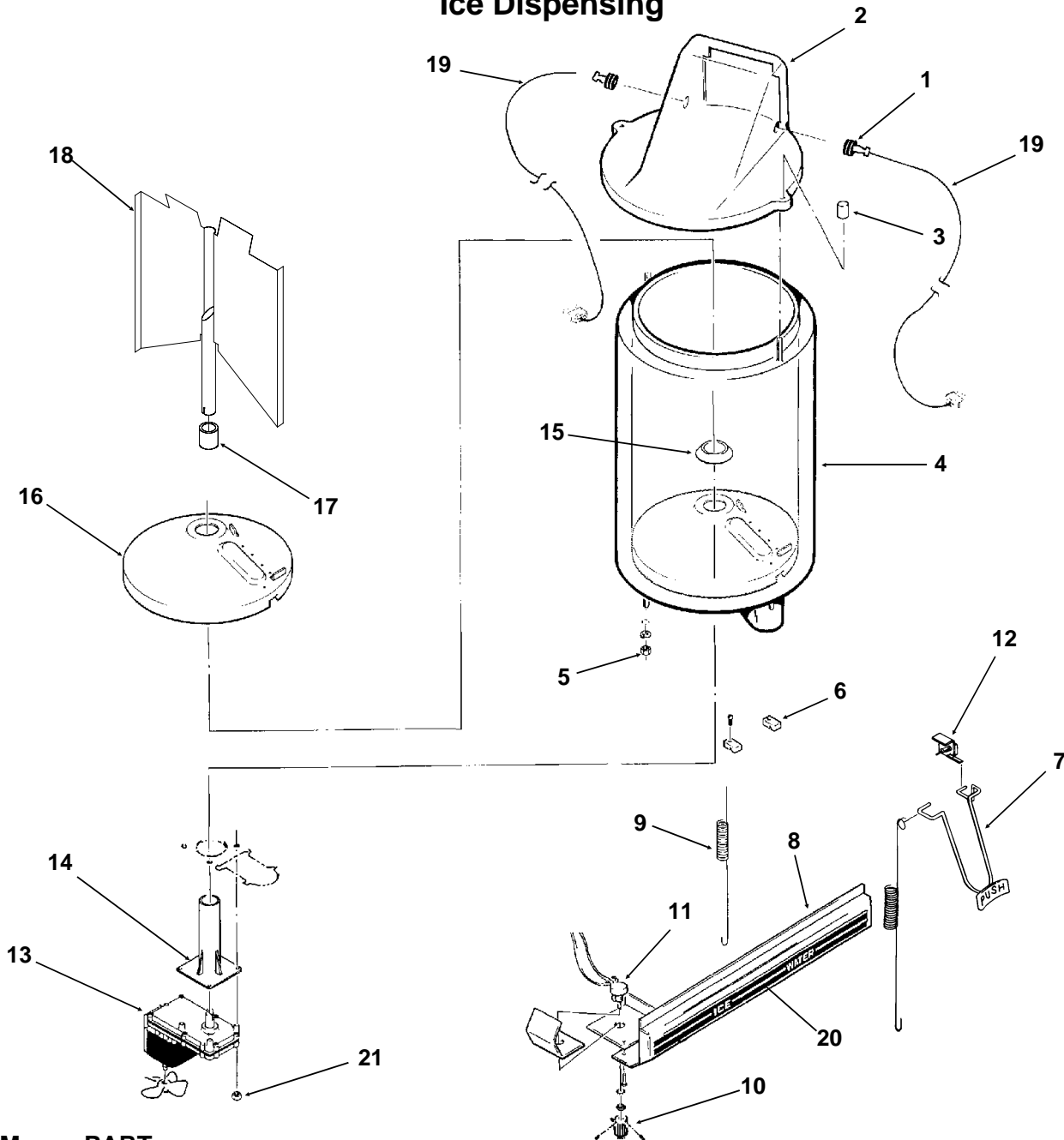
Water Cooled Refrigeration

| ITEM NUMBER | PART NUMBER | DESCRIPTION |
|-------------|-------------|--------------------------|
| 1 | A32961-020 | Insulation Kit (3 piece) |
| 2 | 11-0488-21 | Thermo Exp. Valve |
| 3 | no number | Suction Line |
| 4 | A33194-020 | Evaporator |
| 5 | 03-1420-03 | Screw |
| 6 | 02-3319-02 | Dryer |
| 7 | 03-1406-10 | Hex Nut |
| 8 | 18-2200-27 | Mounting Sleeve |
| 9 | 18-2200-28 | Mounting Grommet |
| 10 | 18-8720-21 | Compressor, 115v 60 Hz |
| | 18-5700-50 | Overload for 115v comp. |
| | 18-8720-26 | Compressor, 230v, 50 Hz |
| | 18-5700-55 | Overload for 230v comp. |
| 11 | 16-0832-20 | Access valve |
| 12 | 11-0485-22 | High Press. Cut Out |
| 13 | 11-0478-01 | Water Reg. Valve |
| 14 | 11-0447-20 | Low Press. Control |
| 15 | A31828-001 | Adaptor Flange |
| 16 | 03-1405-17 | Screw |
| 17 | 03-1410-03 | Lock washer |
| 18 | 18-3305-25 | Condenser |
| 19 | A31828-002 | Adaptor Flange |



NDE550 & NDE650 SERVICE PARTS

Ice Dispensing



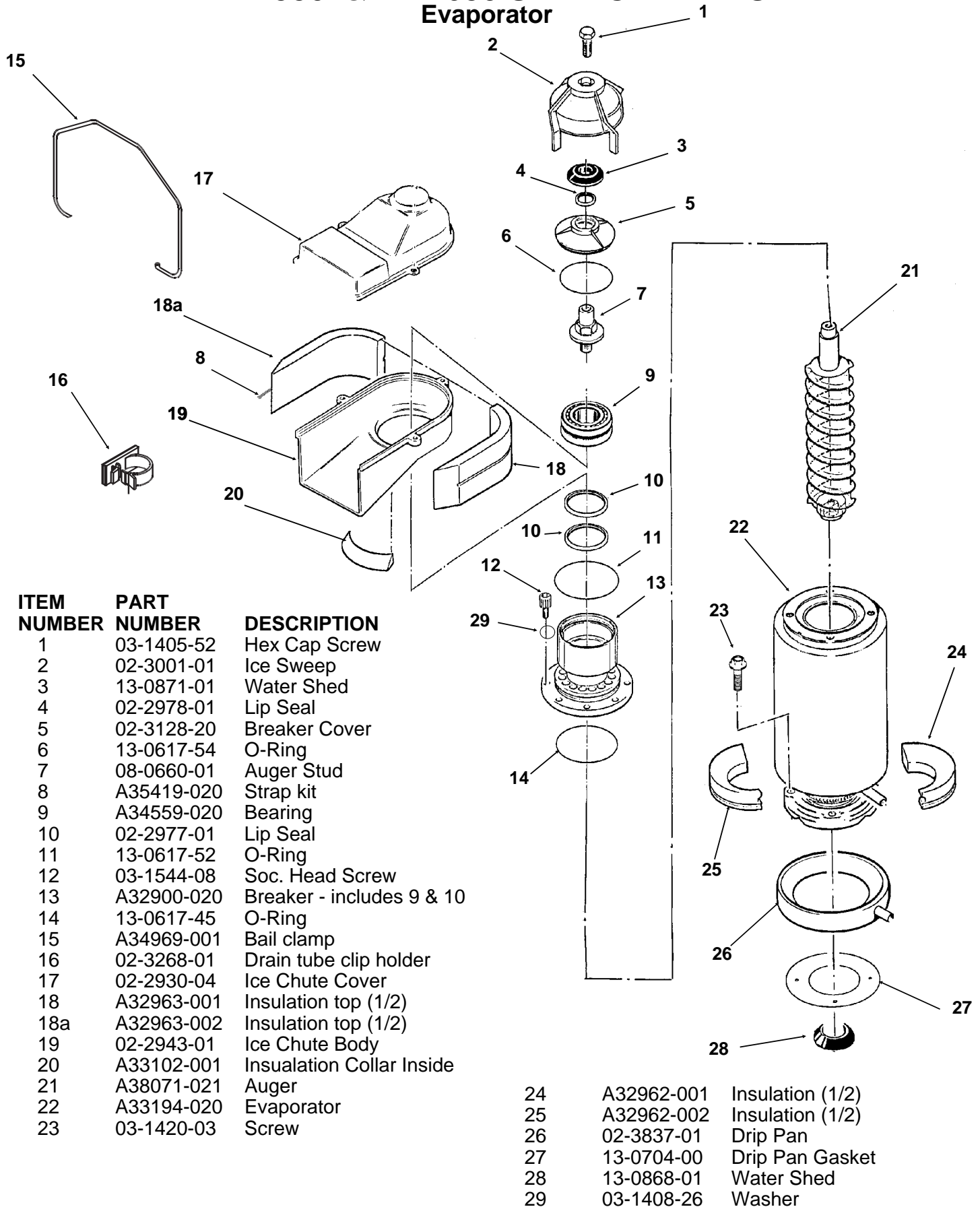
| ITEM NUMBER | PART NUMBER | DESCRIPTION |
|-------------|-------------------|---------------------------|
| 1 | 13-0866-01 | Grommet, Bin Control |
| 2 | A34493-003 | Bin top |
| 3 | 03-0255-00 | Wing Nut |
| 4 | A34496-001 | Storage Bin NDE550 |
| | A34496-002 | NDE650 Storage Bin |
| 5 | 03-1406-09 | Hex nut |
| | 03-1410-03 | Lock washer |
| 6 | 02-2950-01 | Arm Clamp |
| 7 | 02-3167-01 | Glass Filler Lever |
| 8 | A33198-001 | Control Panel |
| 9 | 02-3022-01 | Spring |
| 10 | 02-1810-00 | Knob |
| 11 | A24258-003 | Potentiometer (optional) |
| 12 | 12-2409-01 | Microswitch |

| ITEM NUMBER | PART NUMBER | DESCRIPTION |
|-------------|-------------------|--------------------------------|
| 13 | 12-2677-21 | Bin Drive Motor (115v) |
| | 12-2677-26 | Bin Drive Motor (230v) |
| 13a | 12-0675-25 | Fan blade, pt of item 13 |
| 14 | 02-1971-00 | Bracket |
| 15 | 13-0747-00 | Water Shed |
| 16 | A32657-001 | Bin Bottom |
| 17 | 02-3327-01 | Bearing |
| 18* | A37267-001 | NDE650 Bin vane (w/#17) |
| | A37268-001 | NDE550 Bin vane (w/#17) |
| 19 | A37710-021 | Ice Level Sensor |
| 20 | 15-0684-01 | Ice Decal |
| 21 | 03-1403-36 | Screw |

* Use began 4/97. Only works with 12-2677 type motor (two flats on output shaft).

NDE550 & NDE650 SERVICE PARTS

Evaporator

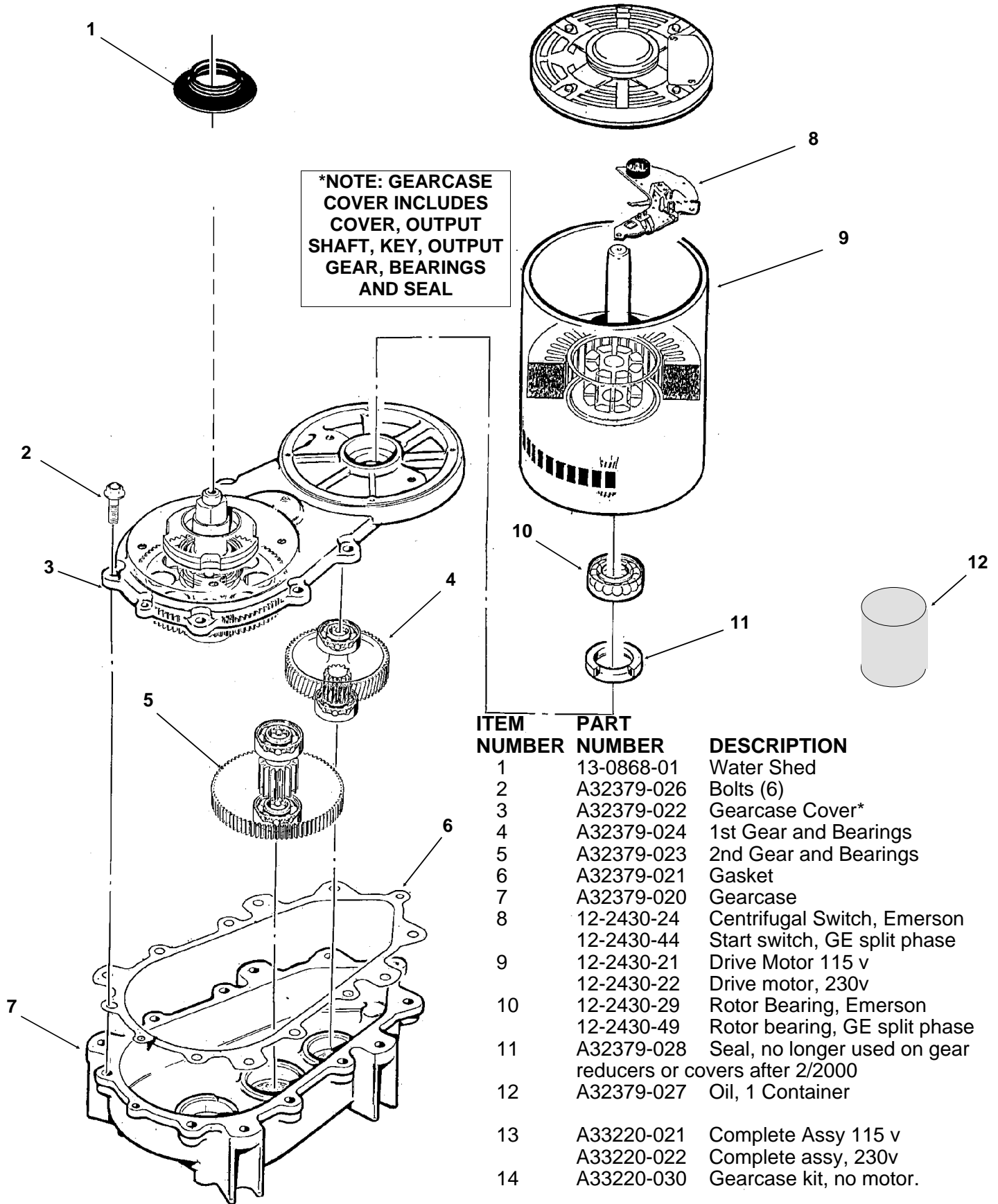


| ITEM NUMBER | PART NUMBER | DESCRIPTION |
|-------------|-------------|---------------------------|
| 1 | 03-1405-52 | Hex Cap Screw |
| 2 | 02-3001-01 | Ice Sweep |
| 3 | 13-0871-01 | Water Shed |
| 4 | 02-2978-01 | Lip Seal |
| 5 | 02-3128-20 | Breaker Cover |
| 6 | 13-0617-54 | O-Ring |
| 7 | 08-0660-01 | Auger Stud |
| 8 | A35419-020 | Strap kit |
| 9 | A34559-020 | Bearing |
| 10 | 02-2977-01 | Lip Seal |
| 11 | 13-0617-52 | O-Ring |
| 12 | 03-1544-08 | Soc. Head Screw |
| 13 | A32900-020 | Breaker - includes 9 & 10 |
| 14 | 13-0617-45 | O-Ring |
| 15 | A34969-001 | Bail clamp |
| 16 | 02-3268-01 | Drain tube clip holder |
| 17 | 02-2930-04 | Ice Chute Cover |
| 18 | A32963-001 | Insulation top (1/2) |
| 18a | A32963-002 | Insulation top (1/2) |
| 19 | 02-2943-01 | Ice Chute Body |
| 20 | A33102-001 | Insulation Collar Inside |

| | | |
|----|------------|------------------|
| 21 | A38071-021 | Auger |
| 22 | A33194-020 | Evaporator |
| 23 | 03-1420-03 | Screw |
| 24 | A32962-001 | Insulation (1/2) |
| 25 | A32962-002 | Insulation (1/2) |
| 26 | 02-3837-01 | Drip Pan |
| 27 | 13-0704-00 | Drip Pan Gasket |
| 28 | 13-0868-01 | Water Shed |
| 29 | 03-1408-26 | Washer |

NDE550 & NDE650 SERVICE PARTS

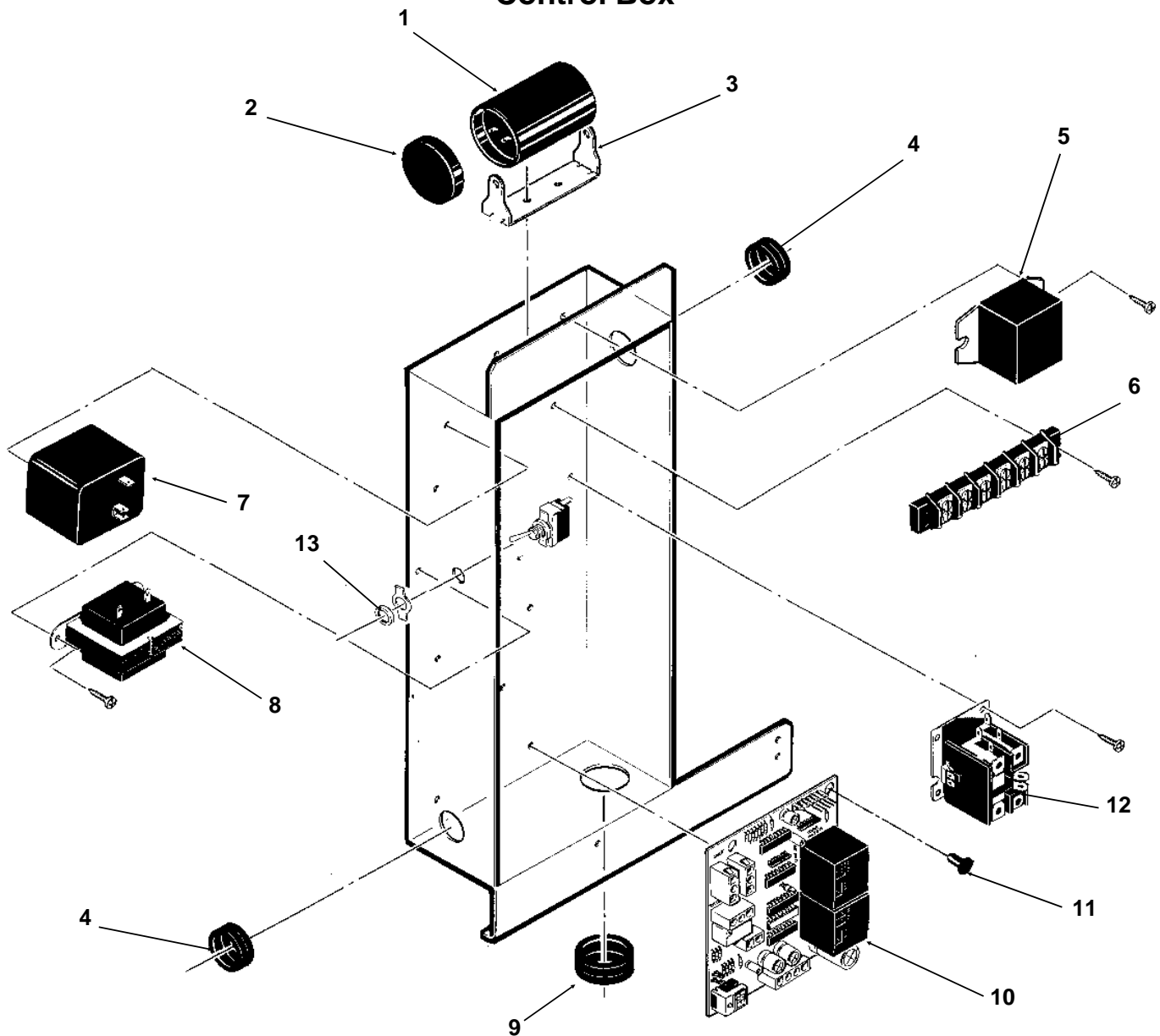
Gearmotor Assembly



| ITEM NUMBER | PART NUMBER | DESCRIPTION |
|-------------|-------------|--|
| 1 | 13-0868-01 | Water Shed |
| 2 | A32379-026 | Bolts (6) |
| 3 | A32379-022 | Gearcase Cover* |
| 4 | A32379-024 | 1st Gear and Bearings |
| 5 | A32379-023 | 2nd Gear and Bearings |
| 6 | A32379-021 | Gasket |
| 7 | A32379-020 | Gearcase |
| 8 | 12-2430-24 | Centrifugal Switch, Emerson |
| | 12-2430-44 | Start switch, GE split phase |
| 9 | 12-2430-21 | Drive Motor 115 v |
| | 12-2430-22 | Drive motor, 230v |
| 10 | 12-2430-29 | Rotor Bearing, Emerson |
| | 12-2430-49 | Rotor bearing, GE split phase |
| 11 | A32379-028 | Seal, no longer used on gear reducers or covers after 2/2000 |
| 12 | A32379-027 | Oil, 1 Container |
| 13 | A33220-021 | Complete Assy 115 v |
| | A33220-022 | Complete assy, 230v |
| 14 | A33220-030 | Gearcase kit, no motor. |

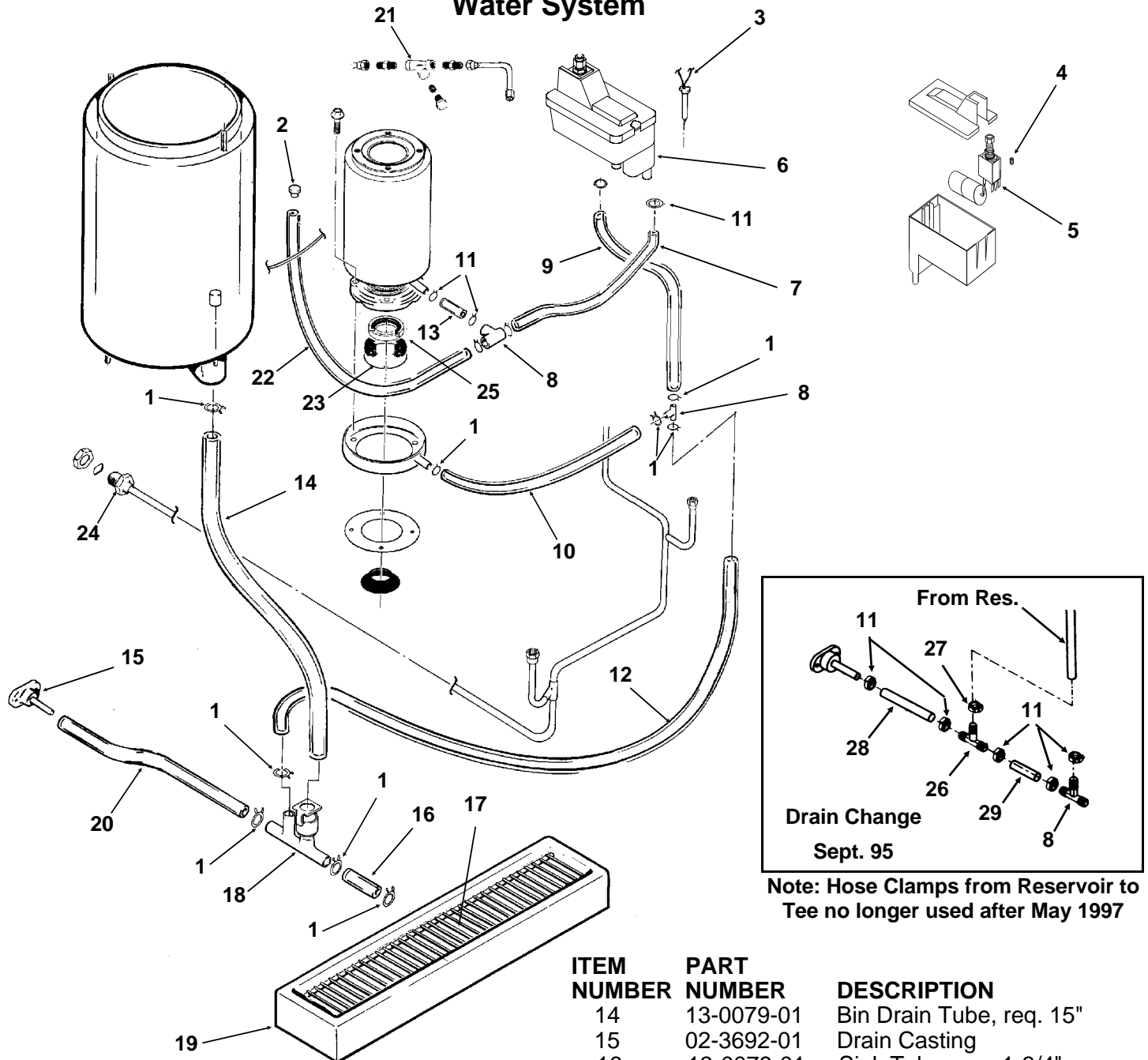
NDE550 & NDE650 SERVICE PARTS

Control Box



| ITEM NUMBER | PART NUMBER | DESCRIPTION |
|-----------------------------------|-------------|--|
| 1 | 18-1901-49 | Start Capacitor, 115v 60 Hz |
| | 18-2200-35 | Start capacitor, 230v. 50 Hz |
| 2 | 18-2200-38 | Cap for start capacitor |
| 3 | 18-2200-39 | Start Cap. Bracket |
| 4 | 12-1213-10 | Bushing |
| 5 | A27857-001 | Time Delay Relay |
| 6 | 12-0813-03 | Terminal Strip |
| 7 | 18-1903-44 | Potential Relay, 115v, 60 Hz |
| | 18-1903-48 | Current Relay, 230v, 50 Hz |
| 8 | 12-2285-21 | Transformer, 115v |
| | 12-2285-22 | Transformer, 230v |
| 9 | 12-1213-12 | Bushing |
| 10 | A37750-021 | Circuit Board |
| 11 | 12-2350-01 | Standoff |
| 12 | 12-2469-03 | Contactor, 115v, 60 Hz |
| | 12-2469-02 | Contactor, 230v, 50 Hz |
| NOT ILLUSTRATED: | | |
| 14 | 12-2337-05 | Plug Assembly, Circuit Board to Low Pressure Control |
| 15 | 12-2340-01 | Plug Assembly, Circuit Board to Transformer |
| 16 | 12-2391-01 | Lockswitch for -1AG (Government Units) |
| 17 | A33127-001 | Control Box Cover |
| Not shown, but below control box: | | |
| 18 | 18-1902-52 | Run capacitor, 115v, 60 Hz |
| 13 | 12-0426-01 | Switch |

NDE550 & NDE650 SERVICE PARTS Water System

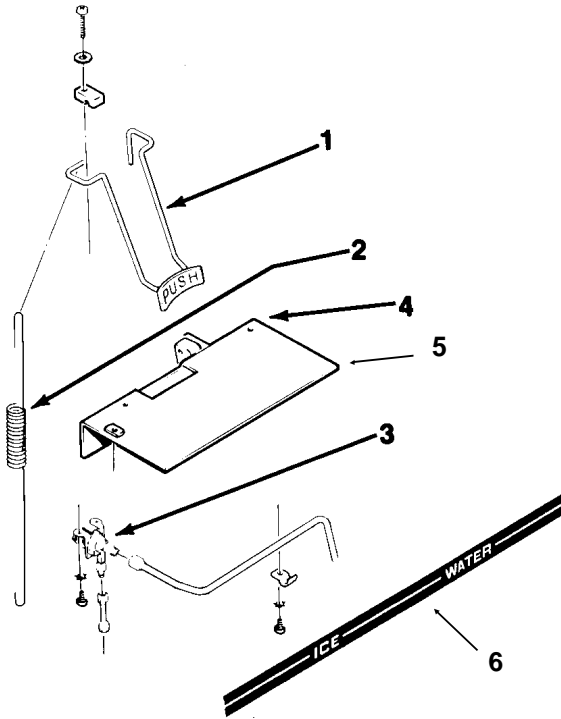


| ITEM NUMBER | PART NUMBER | DESCRIPTION |
|-------------|-------------|--------------------------|
| 1 | 02-2814-08 | Clamp |
| 2 | 13-0840-01 | Plug |
| 3 | A33101-022 | Water Level Sensor |
| 4 | 02-3266-03 | Plunger/seat |
| 5 | 02-3266-21 | Float valve |
| 6 | 02-3266-20 | Reservoir Assy, complete |
| 7 | 13-0674-06 | Tubing, requires 6" |
| 8 | 16-0670-01 | Tee |
| 9 | 13-0079-03 | Tubing, requires 4.5" |
| 10 | 13-0079-03 | Tubing, requires 4.5" |
| 11 | 02-2814-08 | Clamp |
| 12 | 13-0079-03 | Drain Tube, req. 36" |
| 13 | 13-0674-06 | Evap. Inlet Tube, req 5" |

| ITEM NUMBER | PART NUMBER | DESCRIPTION |
|-------------|-------------|--------------------------|
| 14 | 13-0079-01 | Bin Drain Tube, req. 15" |
| 15 | 02-3692-01 | Drain Casting |
| 16 | 13-0079-01 | Sink Tube, req. 1-3/4" |
| 17 | 02-2951-01 | Grill |
| 18 | A36962-001 | Drain Kit |
| 19 | 02-2944-02 | Sink |
| 20 | 13-0079-01 | Drain Tube, req. 8" |
| 21 | 16-0162-00 | Strainer |
| 22 | 13-0674-06 | Drain Tube, req. 23" |
| 23 | A32777-001 | Retaining Ring |
| 24 | A27318-001 | Inlet Fitting (only) |
| 25 | 02-0929-23 | Water Seal |
| 26 | 16-0670-04 | Tee |
| 27 | 02-2814-07 | Clamp |
| 28 | 13-0674-01 | Drain tube, 6.5" req. |
| 29 | 13-0674-01 | Drain tube, 2.5" req. |

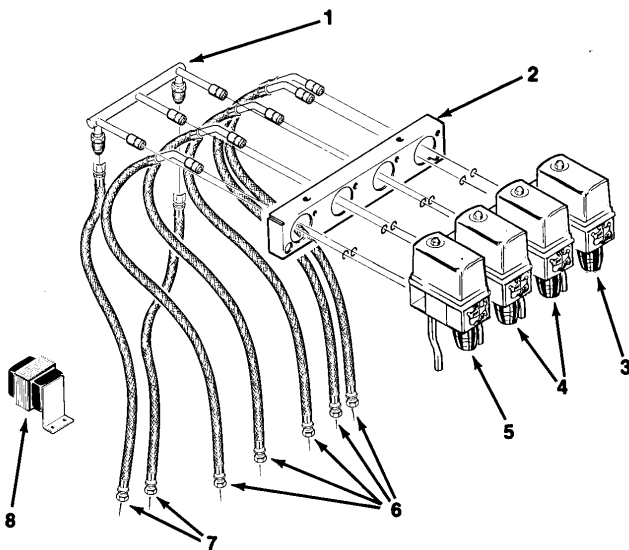
NDE550 & NDE650 SERVICE PARTS

WATER GLASS FILLER



| ITEM NUMBER | PART NUMBER | DESCRIPTION |
|-------------|-------------|--------------------------|
| 1 | 02-3167-01 | Glass filler lever |
| 2 | 02-3022-01 | Spring |
| 3 | 12-1646-01 | Solenoid Assembly (115v) |
| | 12-1646-06 | Solenoid (230v) |
| 4 | 12-2409-01 | Switch (mounted to base) |
| 5 | A35195-001 | Valve plate |
| 6 | 15-0672-01 | Ice & Water label |

KIT: KV5H-30A ELECTRIC VALVE KIT (for 115v models only)



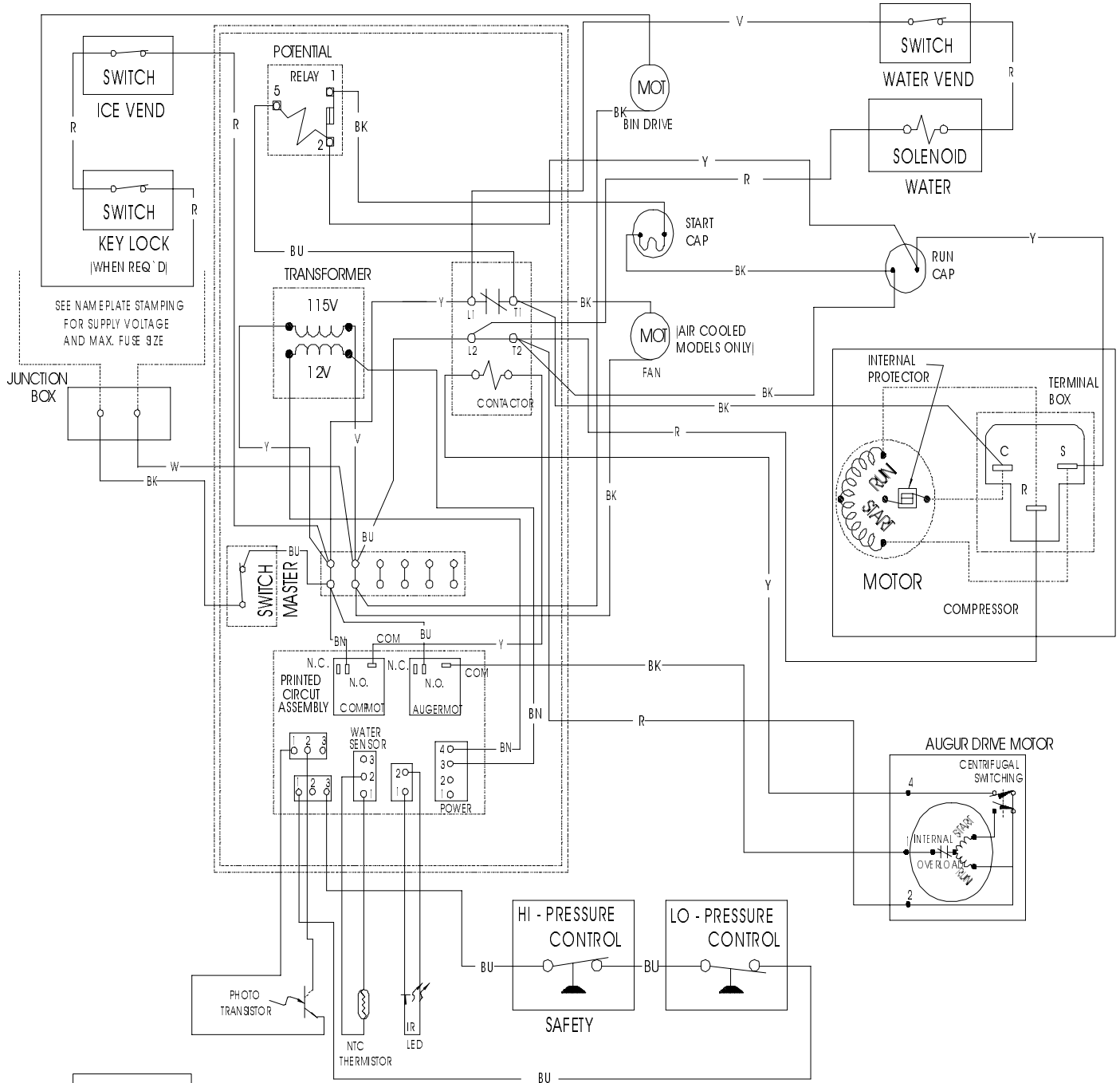
| ITEM NUMBER | PART NUMBER | DESCRIPTION |
|-------------|-------------|---------------------|
| 1 | 02-2128-01 | Carb. Manifold Assy |
| 2 | A20368-000 | Faucet Bracket |
| 3 | 02-1205-19 | Faucet |
| 4 | 02-1205-16 | Faucet |
| 5 | 02-1205-17 | Faucet |
| 6 | A30209-001 | Syrup Line |
| 7 | A20547-000 | Carb. Water Line |
| 8 | 12-1809-00 | Transformer |

Note: Scotsman does not stock parts for valves. Determine the model of valve on your unit and order parts from:

McCann's Engineering & Mfg. Co.
2570 Colorado Blvd.
Los Angeles, CA 90039

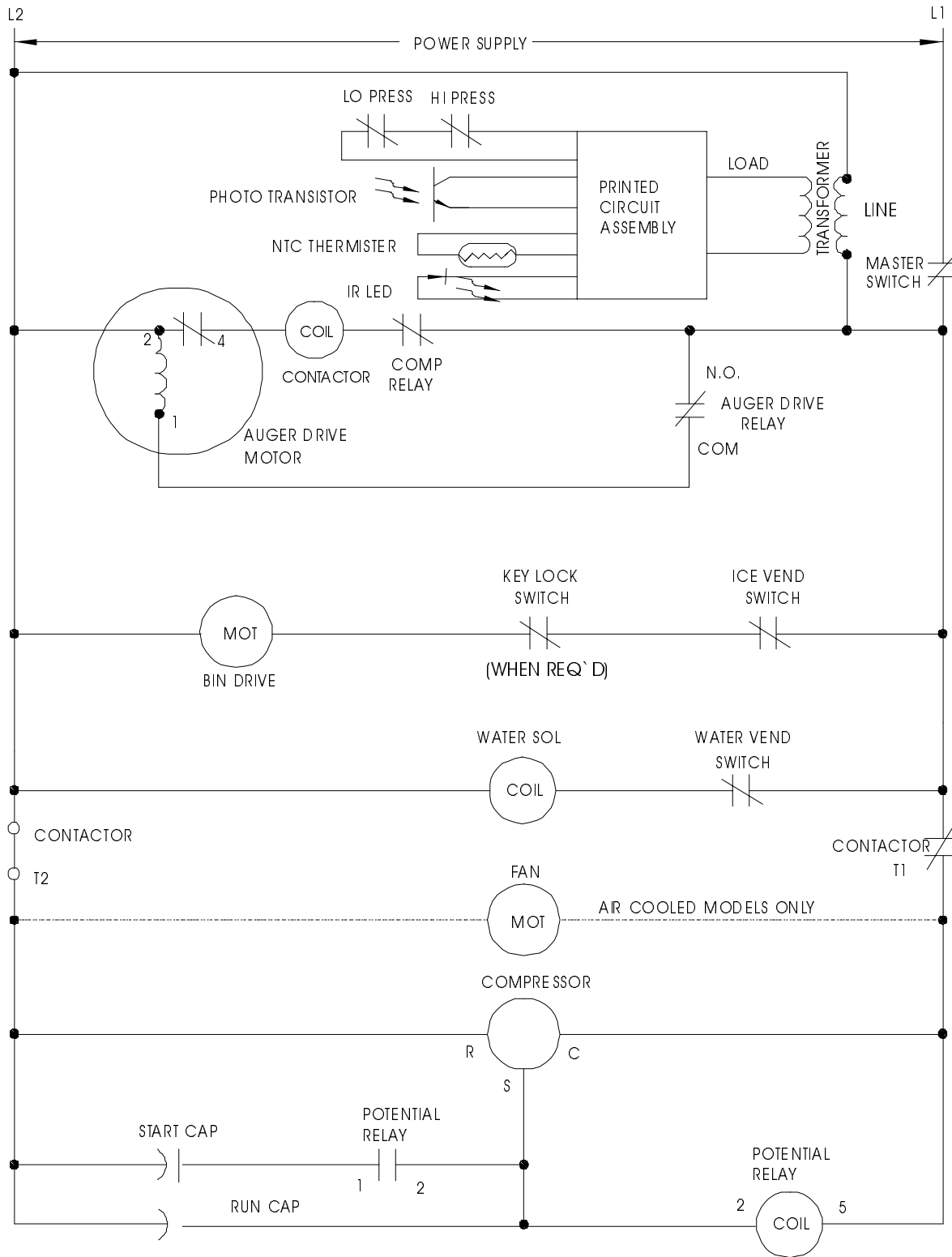
NDE550 & NDE650 SERVICE PARTS

Wiring Diagram for units without Portion Control - 115/60/1



NDE550 & NDE650 SERVICE PARTS

Schematic Diagram for units without Portion Control 115/60/1



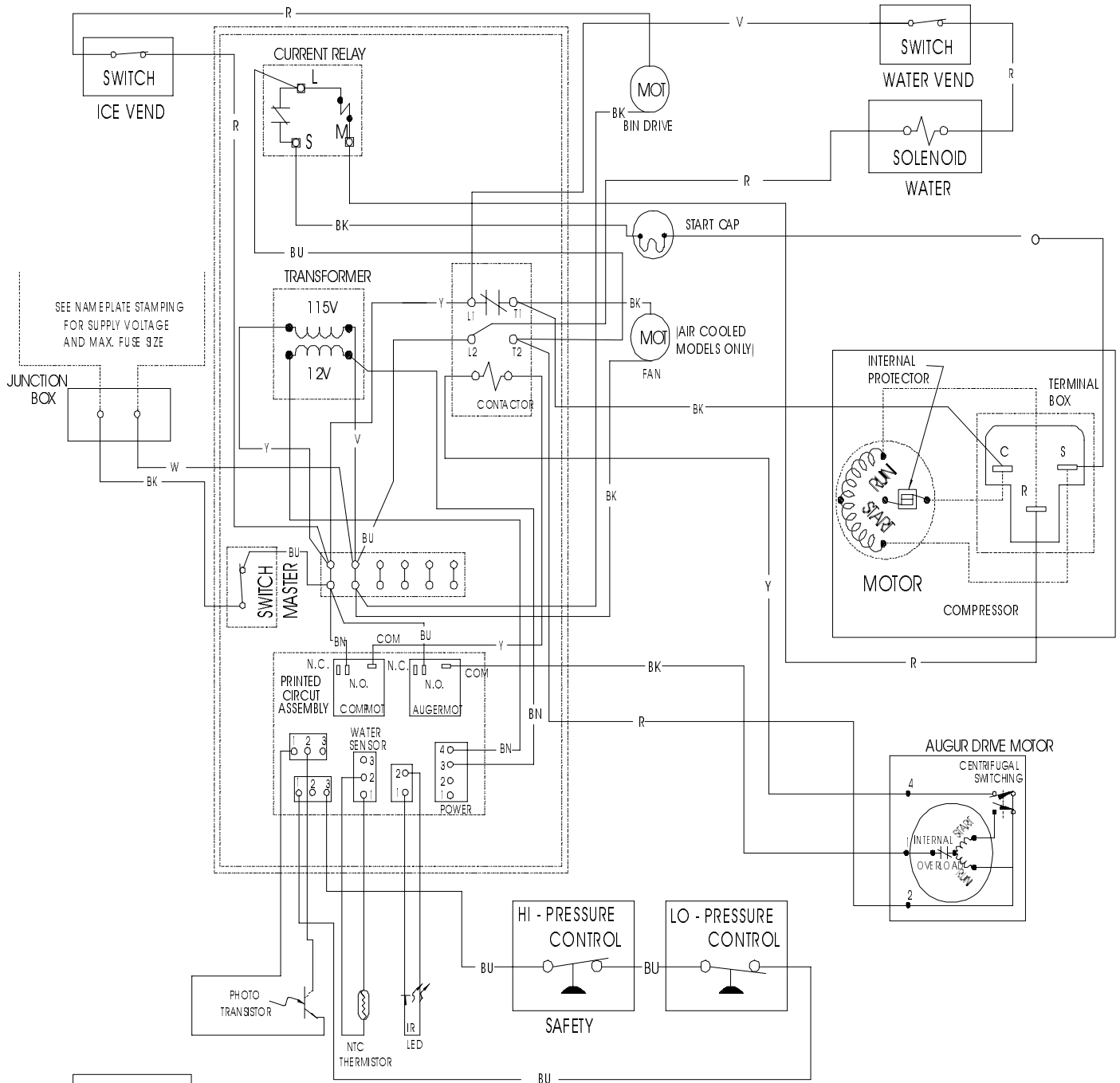
USE COPPER CONDUCTORS ONLY

THIS UNIT MUST BE GROUNDED

**ALL CONTROLS SHOWN IN NORMAL ICE MAKING MODE
WITH ALL DISPENSING SYSTEMS IN OPERATION.**

NDE550 & NDE650 SERVICE PARTS

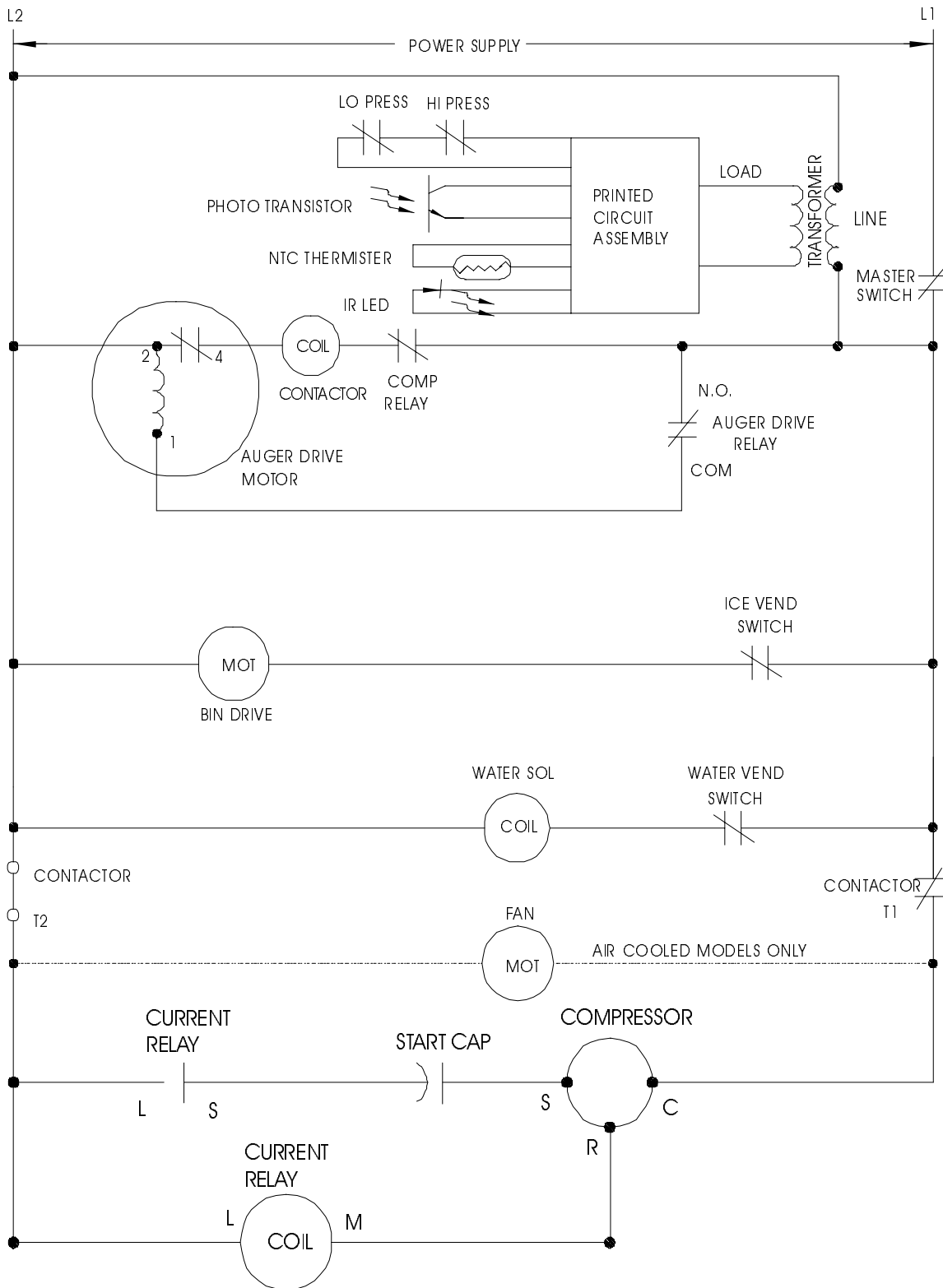
Wiring Diagram for units without Portion Control 230/50/1



17-2510-06

NDE550 & NDE650 SERVICE PARTS

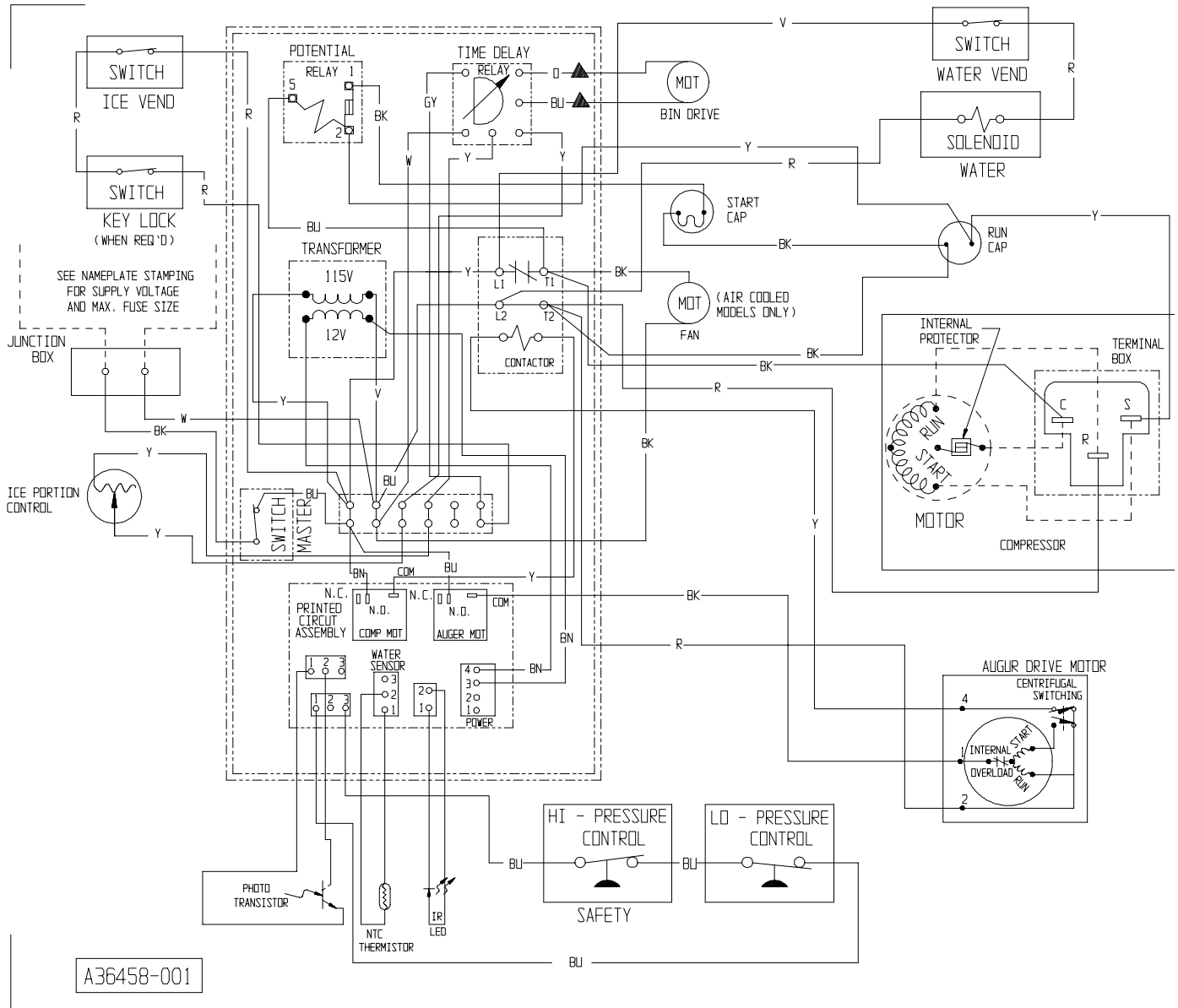
Schematic Diagram for units without Portion Control 230/50/1



USE COPPER CONDUCTORS ONLY
 THIS UNIT MUST BE GROUNDED
 ALL CONTROLS SHOWN IN NORMAL ICE MAKING MODE
 WITH ALL DISPENSING SYSTEMS IN OPERATION.

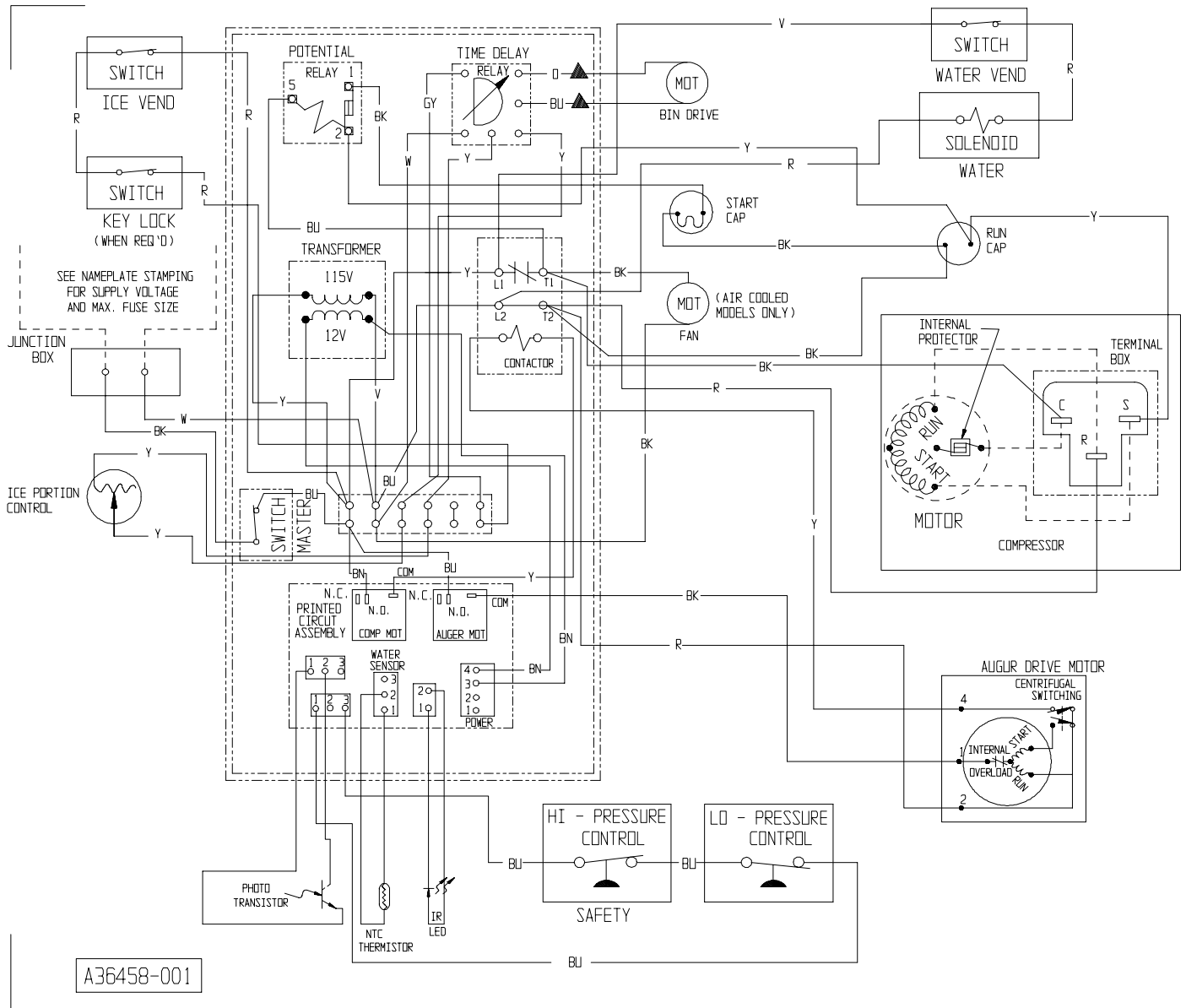
NDE550 & NDE650 SERVICE PARTS

NDE550 115/60/1 Wiring Diagram with Portion Control



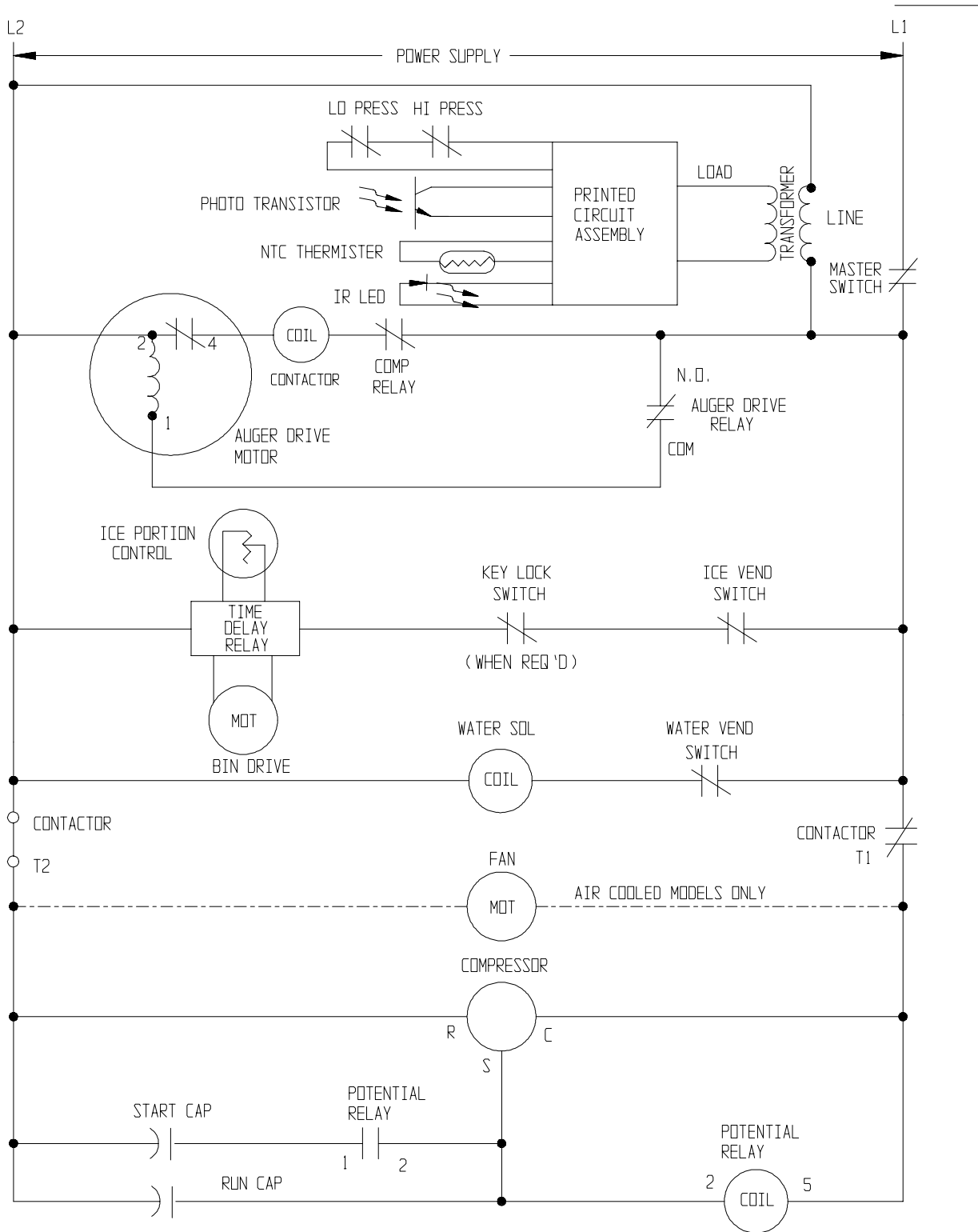
NDE550 & NDE650 SERVICE PARTS

NDE650 115/60/1 Wiring Diagram with Portion Control



NDE550 & NDE650 SERVICE PARTS

115/60/1 Schematic Diagram with Portion Control



USE COPPER CONDUCTORS ONLY

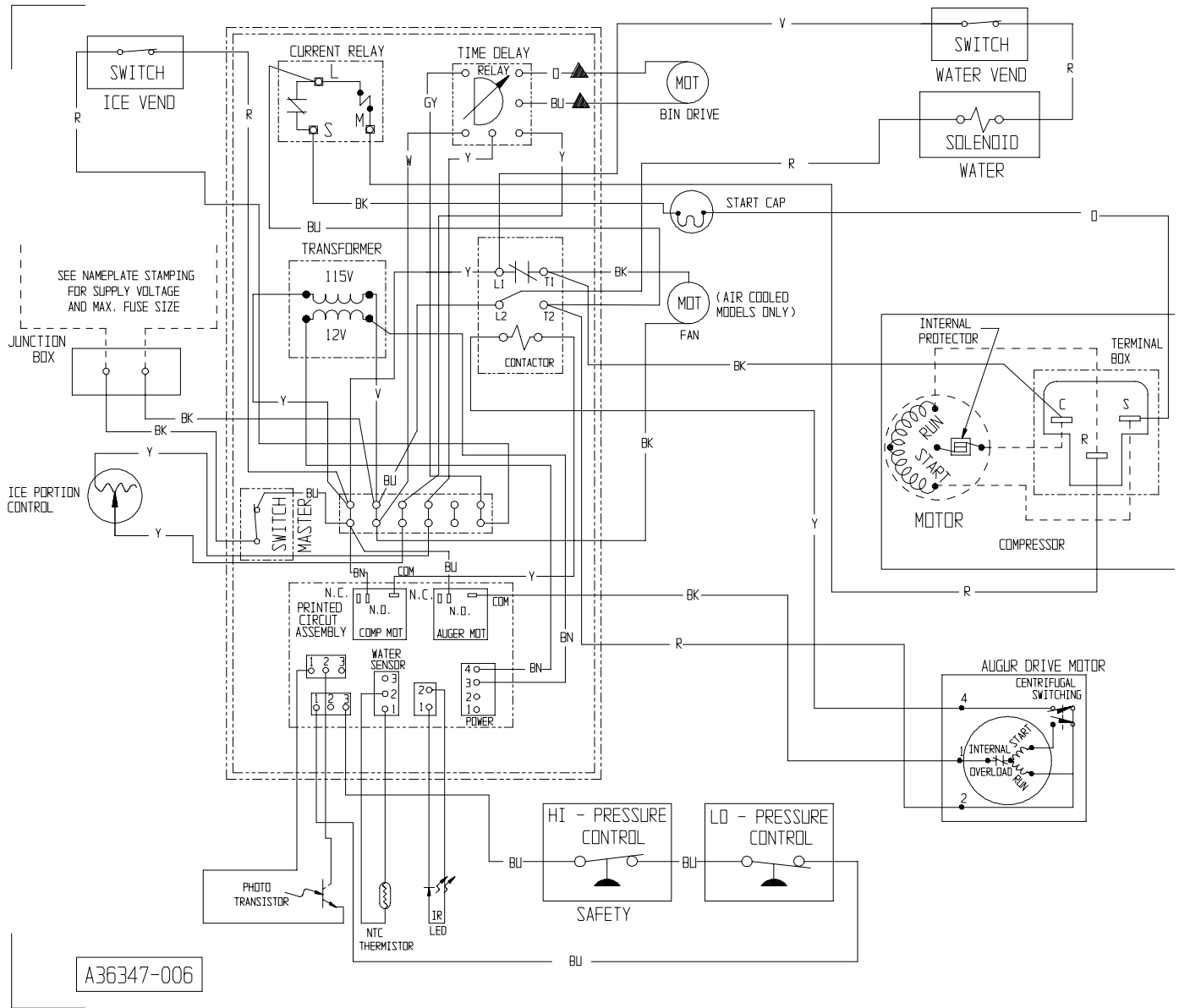
THIS UNIT MUST BE GROUNDED

ALL CONTROLS SHOWN IN NORMAL ICE MAKING MODE

WITH ALL DISPENSING SYSTEMS IN OPERATION.

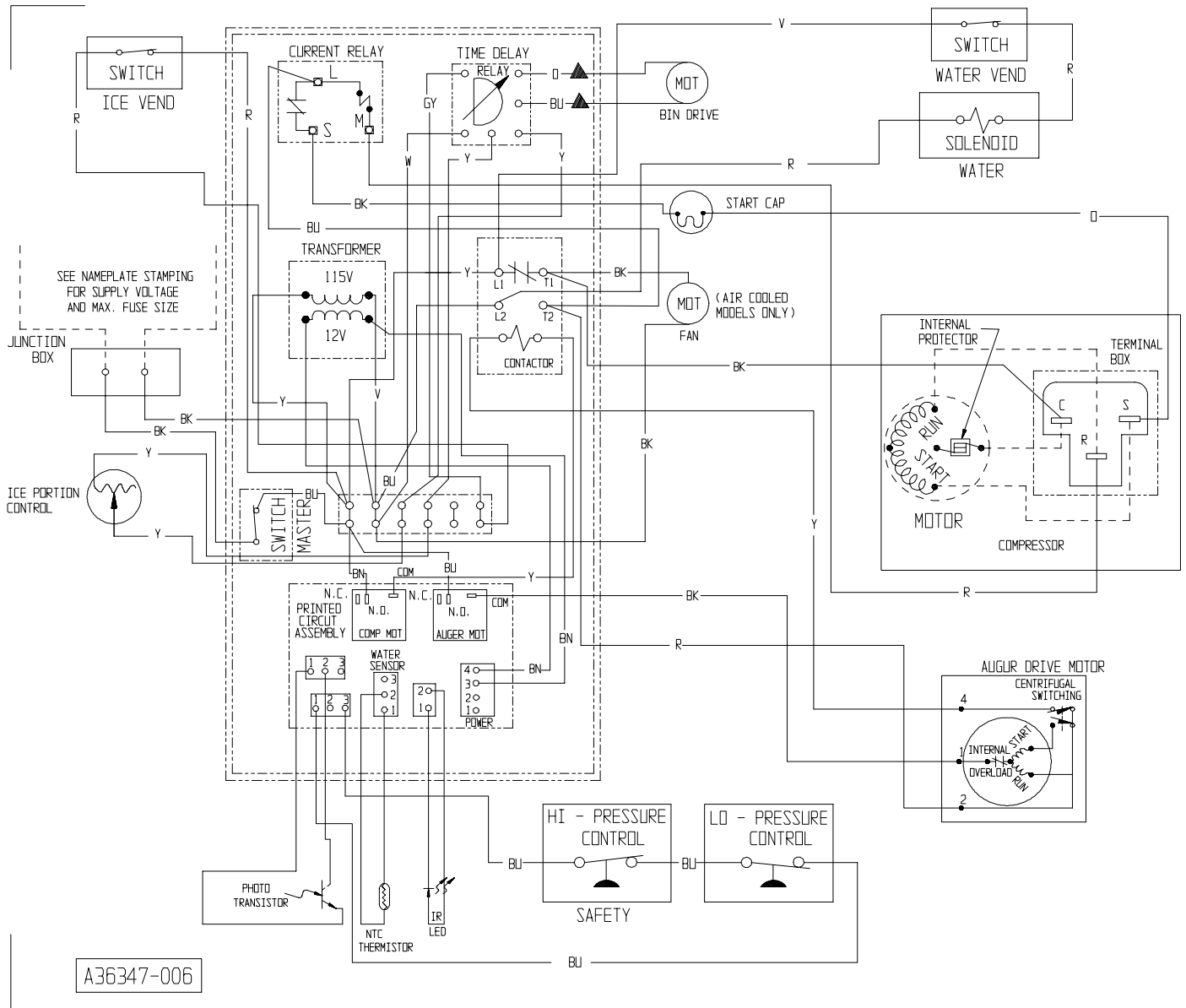
NDE550 & NDE650 SERVICE PARTS

NDE550 230/50/1 Wiring Diagram with Portion Control



NDE550 & NDE650 SERVICE PARTS

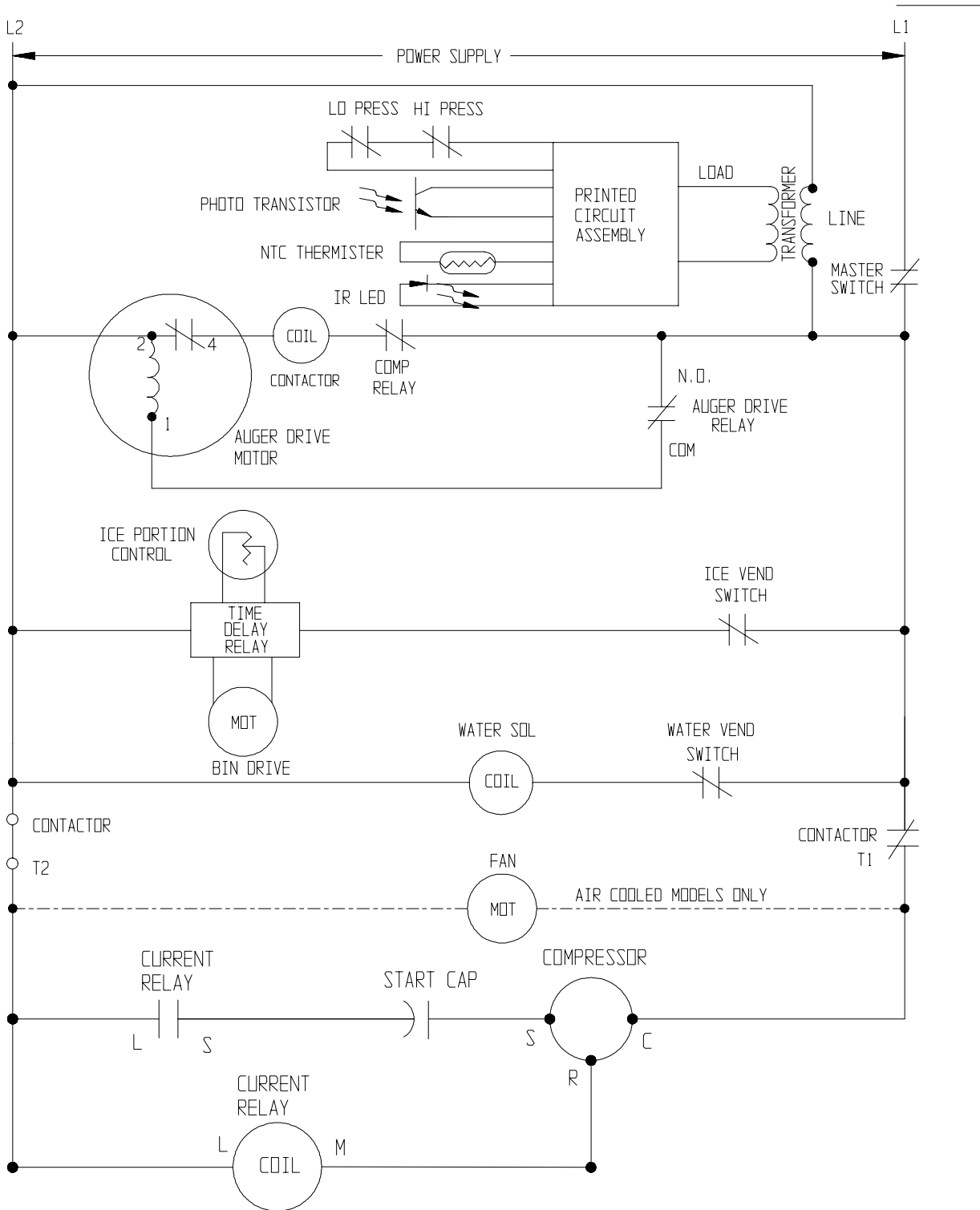
NDE650 230/50/1 Wiring Diagram with Portion Control



A36347-006

NDE550 & NDE650 SERVICE PARTS

230/50/1 Schematic Diagram with Portion Control



USE COPPER CONDUCTORS ONLY
 THIS UNIT MUST BE GROUNDED
 ALL CONTROLS SHOWN IN NORMAL ICE MAKING MODE
 WITH ALL DISPENSING SYSTEMS IN OPERATION.