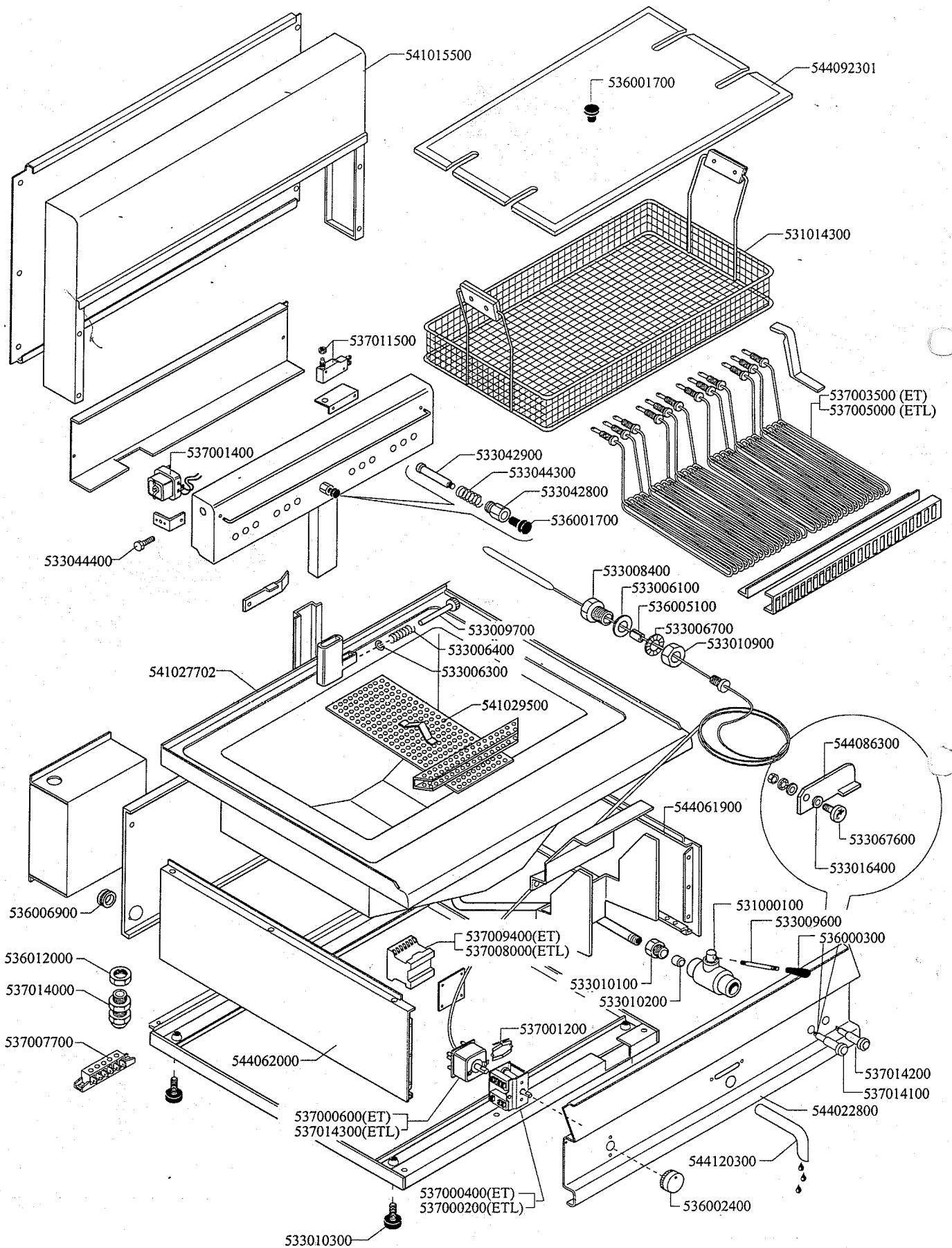


**SNACK 60 ELETTRICO / SNACK 60 ELECTRIC / SNACK 60 ELEKTRO / SNACK 60 ELECTRIQUE**

**FP-62ET FP-62ETL**



Page	Pos	Code	Description
001		541015500	NEUTRAL SPACER 62
001		536001700	GRIP D.25*19*M6
001		537011500	MICRO-SWITCH 16A
001		533042900	LOCKING PIN FQ-E
001		533044300	COIL SPRING §INT. 10,7*27
001		533042800	GUIDE BUSHING FOR LOCKING PIN
001		537001400	SAFETY THERMOSTAT 235°C THREEPHASE
001		533044400	THREADED CAP FOR SEC.THERMOSTAT FQE
001		541027702	UPPER PLATE FP-62E
001		533008400	LOCK NUT M14*1-M9*1
001		533006100	GASKET D.24
001		536005100	GRAPHITE §07,4 GASKET
001		533006700	NOTCHED WASHER D.14
001		533010900	NUT M14*1 H.4
001		533009700	LOCKING PIN D.5*70
001		533006400	COIL SPRING D.5,5*30
001		533006300	RETAINING RING D.4
001		541029500	FILTER FP-62E
001		544086300	COCK FIXING BRACKET
001		544092301	TANK LID FP-62/6ET
001		531014300	FRYER BASKET FP-62E/G
001		537005000	HEATING EL.W1000 V230 FOR FRYER
001		544061900	RIGHT SIDE PANEL 60 LINE
001		533067600	PIN FOR GRADUATED COCK BUSHING
001		533016400	COCK BUSHING
001		531000100	DRAIN COCK 3/4"
001		533009600	DRAIN COCK HANDLE
001		536000300	FIXED GRIP D.15*25*M6
001		533010100	3/4 D. 18 PIPE UNION
001		533010200	BICONE 18S
001		537008000	REMOTE CONTROL SWITCH 14A 230V
001		537001200	FIXING BRACKET FOR THERMOSTAT/COMM.
001		537014300	THERMOSTAT 095-180°C SINGLEPHASE
001		544120300	DRAIN PIPE 22 FOR COCK 3/4"G
001		536002400	KNOB 100-180°C SNACK
001		537000200	COMMUTATOR 1 POS. 3PHASE S.49 16A
001		533010300	ADJUSTABLE FOOT M10*20 D.23
001		544062000	LEFT SIDE PANEL 60 LINE
001		536006900	RUBBER CABLE GUIDE D.25MM.HOLE 16MM
001		536012000	HEXAGONAL LOCK NUT PG-21
001		537014000	CABLE SECURING CLAMP PG-21
001		537007700	TERMINAL BLOCK THREEPHASE 40A
001		537014200	GREEN WARNING LIGHT 250V
001		537014100	WHITE WARNING LIGHT 250V
001		544022800	CONTROL PANEL BM/CP-2E