

541118402 (94)  
541128302 (98)

532004100

537048700

537045800 (94)  
537045900 (98)

544407400

537027400

1

1

541196700 (94-ETD)  
541196600 (98-ETD)

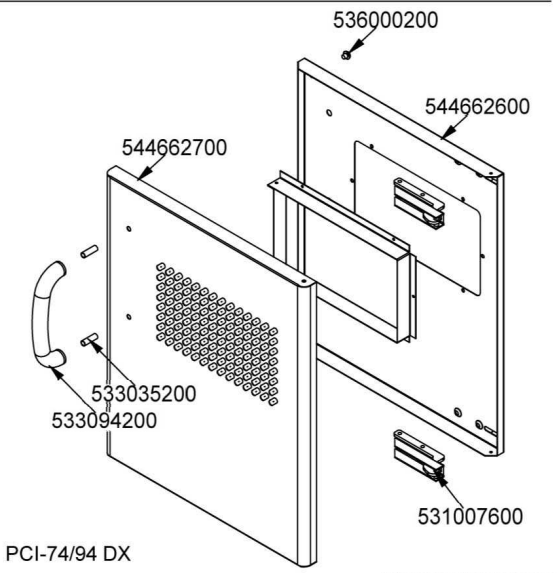
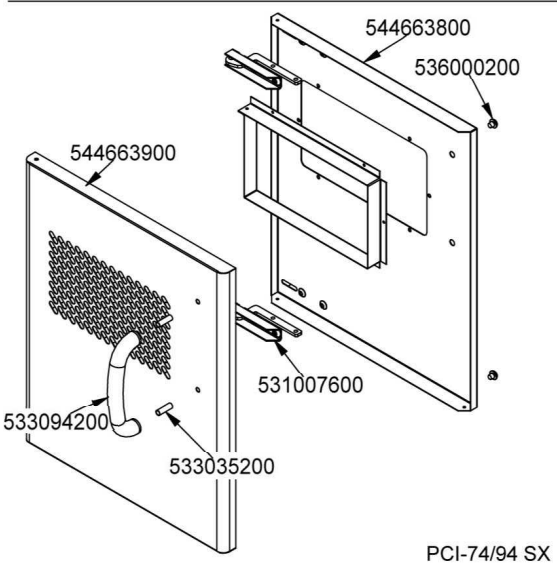
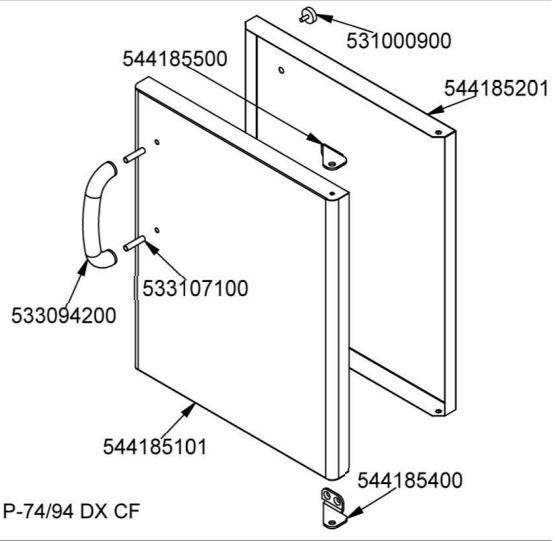
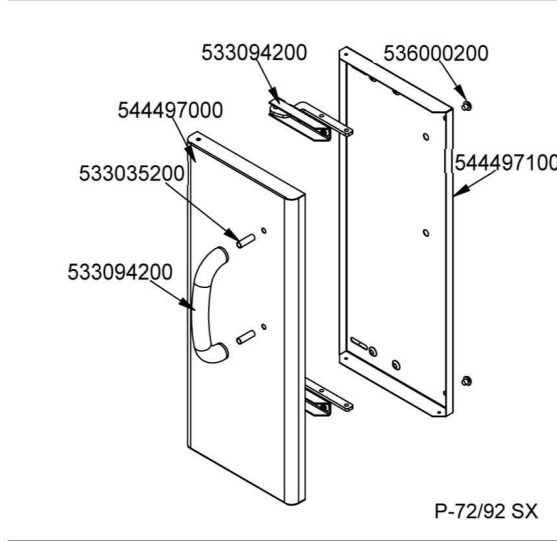
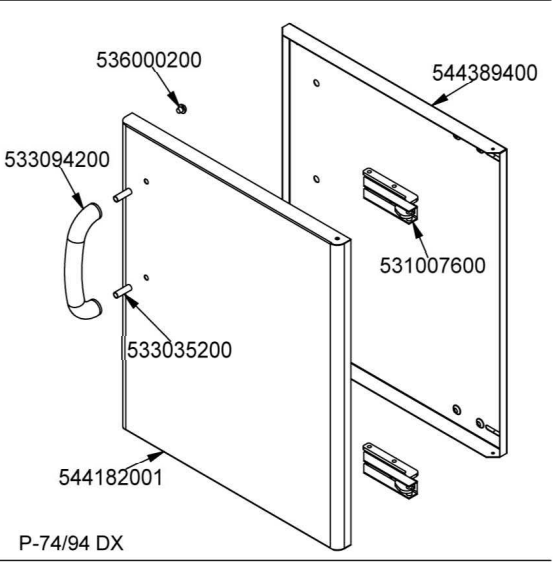
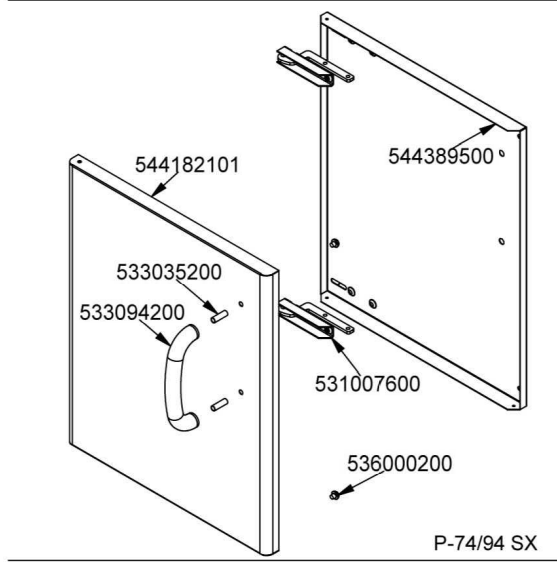
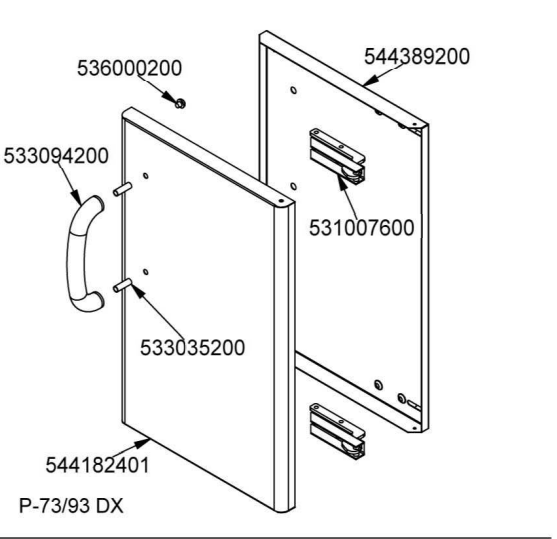
541112302 (94-ET)  
541120902 (98-ET)

531034800

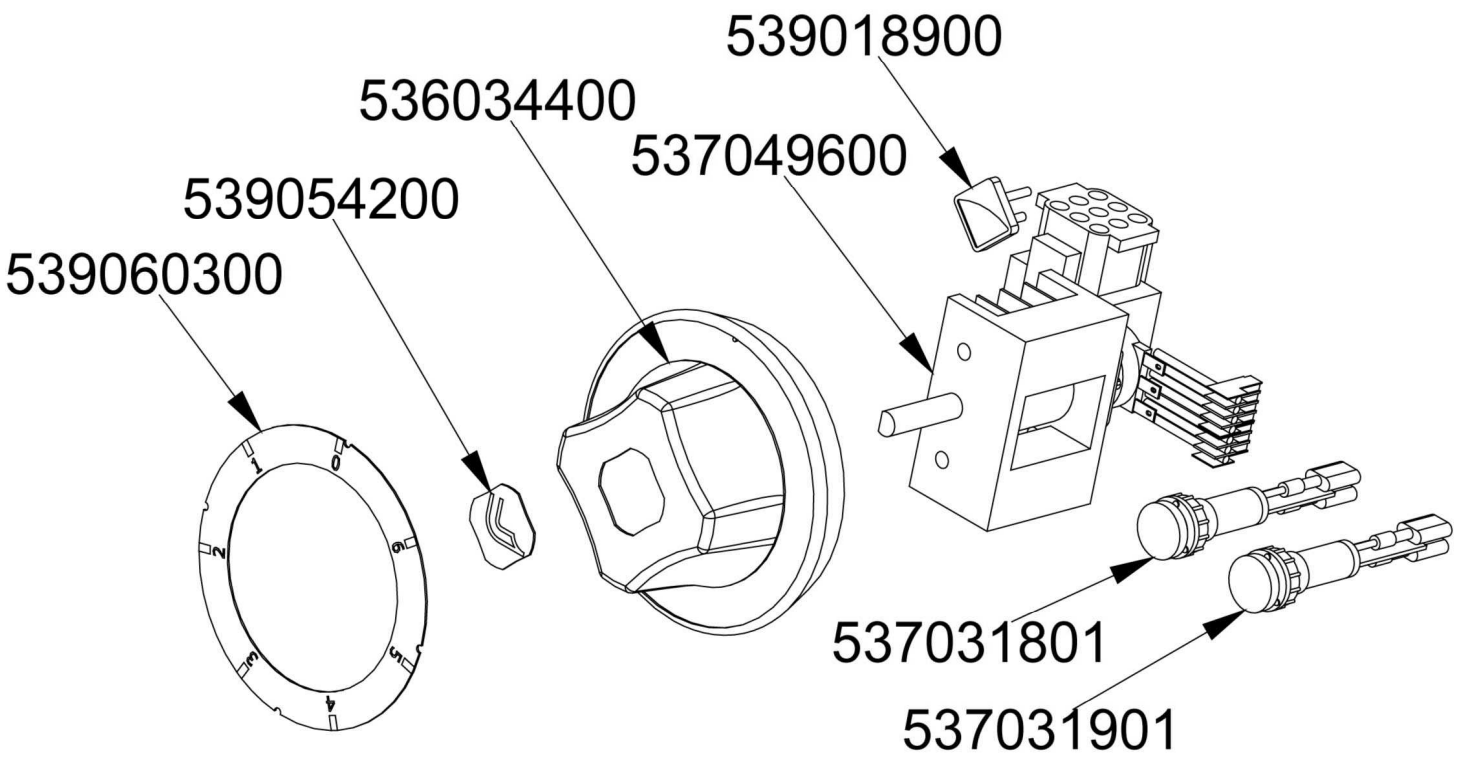
544407300

2

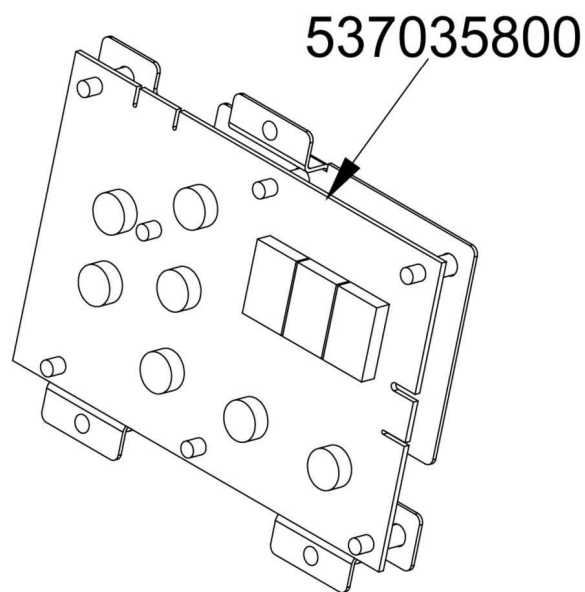
536005200



# (ET)



# (ETD)



Page	Pos	Code	Description
001		532004100	FLUE GRID L=370 90LINE (RAF
001		541118402	UPPER PLATE S90 PCI-94E VC
001		537048700	PLATE WITH INDUCTORS S90
001		537045800	GENERATOR PCI-94 5KW 400V3 (C
001		544407400	LEFT SIDE PANEL 70 LINE
001		537027400	TERMINAL BLOCK THREEPHASE 40A
001		541196700	CONTROL PANEL S607090 PCIW-74ETD V
001		541120902	CONTROL PANEL S607090 PCI-78E
001		531034800	NET FILTER FOR KSK
001		536005200	INOX LEG 2" 120-180 M10
001		544407300	RIGHT SIDE PANEL 90 LINE
002		544389300	CONTROP.73 SX APP. LT
002		531007600	DOOR HINGE
002		544182501	LEFT DOOR 73
002		533094200	S/S HANDLE FOR 70/90 SERIES
002		533035200	HANDLE SPACER
002		536000200	D.12 H.4 BUMPER
002		544389200	CONTROP.73 DX APP. LT
002		544182401	RIGHT DOOR 73
002		544182101	LEFT DOOR 74
002		544389500	INNER-DOOR OF LHD 74
002		544389400	CONTROP.74 DX APP. LT
002		544182001	RIGHT DOOR 74
002		544497000	PORTA 72 SX
002		544497100	CONTROP.72 SX APP. LT
002		544185101	RIGHT DOOR 74 CF
002		533107100	HANDLE SPACER OF CF-70
002		544185500	UPPER DOOR HINGE FOR COMPARTME CF70
002		531000900	MAGNET §22 KG.3 WITH DISK
002		544185201	INNER DOOR * 74DX
002		544185400	LOWER DOOR HINGE FOR COMPARTME CF70
002		544663900	LHD 74 DOOR FOR PCI
002		544663800	74 LHD OVEN INNER DOOR FOUR PCI
002		544662700	DOOR 74 DX PCI
002		544662600	CONTROP.74 DX APP. LT PCI
003		539018900	INDEX FOR KNOB W/RED SIGN
003		536034400	KNOB §77 4P. §06*4,6 C/M
003		537049600	COMPLETE CONTROL FOR INDUCTORS
003		539054200	STAMP Ø20,5 CR."L" LOTUS R.
003		539060300	RED ADESIVE DISK FOR PCC/PCI-E
003		537031801	GREEN WARNING LIGHT 12V E FASTON
003		537031901	RED WARNING LIGHT PCI 12V E FASTON
003		537035800	TOUCH ELECTRONIC BOARD FOR PCI