

ITEM No	DESCRIPTION	E3117 (ON STAND)	E3121 3HP	E3121 4HP	E3101 & OTC 3HP	E3101 & OTC 4HP	E3161 3HP
1	CONTROL PANEL	SEE AA48634	734000015	734000017	SEE AA48634		SEE AA48635
2	DRIP TRAY		734000016	734000018			
3	CIRCULAR HOTPLATE ASSEMBLY		N/A	730960114	N/A	730960114	
3.1	HOTPLATE C/W FIXING BRACKET		N/A	731400050	N/A	731400050	
3.2	ROUND HOTPLATE CASTING		N/A	730960101	N/A	730960101	
3.3	ROUND HOTPLATE FIXING BRACKET		N/A	730960115	N/A	730960115	
3.4	ROUND HOTPLATE COVER PLATE		N/A	730964160	N/A	730964160	
4	RECTANGULAR HOTPLATE ASSEMBLY	N/A	730960010				
4.1	RECTANGULAR HOTPLATE CASTING		731400110				
4.2	INNER ELEMENT		731400020				
4.3	INTERMEDIATE ELEMENT		731400030				
4.4	OUTER ELEMENT		731400040				
4.5	ELEMENT CLAMP PLATE		730960150				
4.6	HOTPLATE LAGGING BOX		730964060				
5	HOB REAR FLUE RAIL		532900017				SEE AA48635
6	HOB FILLING		730960090				
7	FRONT HOB RAIL		532900018				
8	LOWER CONTROL PANEL	N/A	535340001				N/A
9	LEG ASSEMBLY		535400202				
10	BOTTOM FRAME (NOT SHOWN)		535400204				
11	BOTTOM SHELF		535400203				
12	LH OR RH SIDE PANEL	N/A	535400190				N/A
13	S/S FOOT		535290028				
	CASTOR SWIVEL		534103055				
	CASTOR FIXED		530964350				
14	DRIP SHEDS LH OR RH		734000000				
17	6 POSITION HOTPLATE SWITCH	N/A	731400070				
18	6 POSITION HOTPLATE CONTROL KNOB		734000014				
19	RED MAINS INDICATOR NEON		731000008				
20	AMBER HEAT INDICATOR NEON		731000007				

PRODUCTION ISSUE

ISSUE	MOD No	ALTERATION	DRAWN BY	DATE
A	1284	PRODUCTION ISSUE	S. BROWN	01/06/11

IF IN DOUBT ASK DO NOT SCALE FIRST ANGLE PROJECTION

UNLESS OTHERWISE SPECIFIED: DIMENSIONS ARE IN MILLIMETERS TOLERANCES: LINEAR: ±0.5mm ANGULAR: ±0.5 DEG

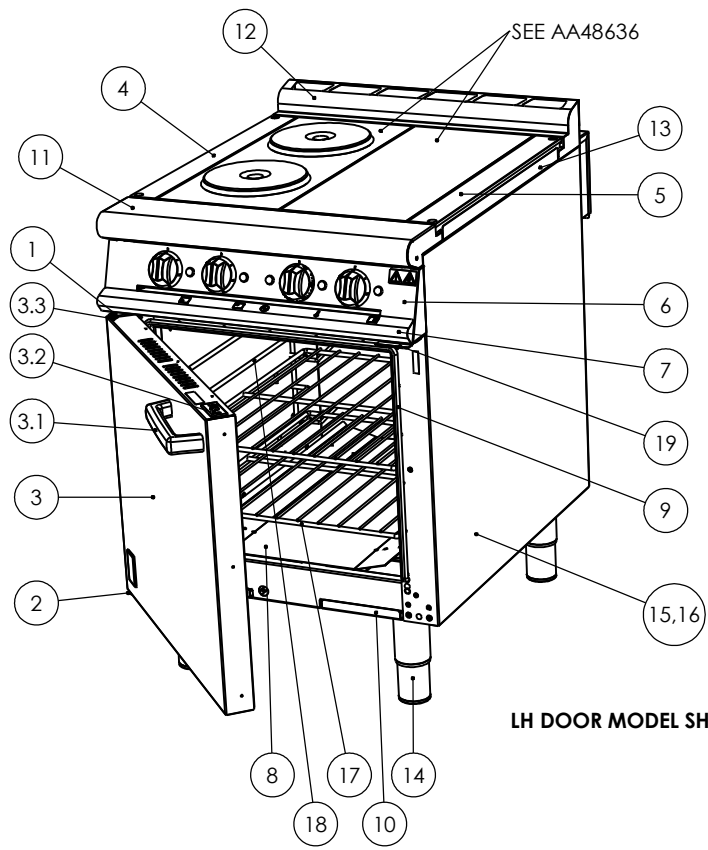
DEBUR AND BREAK SHARP EDGES

WEIGHT: g



DRAWN: S. BROWN	PRODUCT: E3121 BOILING TABLES
DATE: 01/06/11	TITLE: SPARES - B/TABLES, STAND & HOTPLATES
SCALE: 1:15	DRAWING NUMBER: AA48636
MATL:	ISSUE: A
THICKNESS:	FINISH:
BIN No:	PART No:

© NO REPRODUCTION OR PUBLICATION OF THIS DRAWING MAY BE MADE AND NO ARTICLE MAY BE MANUFACTURED OR ASSEMBLED IN ACCORDANCE WITH THIS DRAWING WITHOUT PRIOR WRITTEN CONSENT. THIS PROHIBITION IS A TERM OF ANY CONTRACT RELATING TO THIS DRAWING. RIGHTS RESERVED UNDER THE COPYRIGHT ACT 1956 AS AMENDED BY THE DESIGN COPYRIGHT ACT 1968



LH DOOR MODEL SHOWN

ITEM No	DESCRIPTION	E3161 3HP LH DOOR	E3161 3HP RH DOOR
1	TOP DOOR HINGE	535200006	535200008
2	BOTTOM OVEN DOOR HINGE	535200007	535200009
3	OVEN DOOR ASSY	535330009	535330008
3.1	OVEN DOOR HANDLE	535290022	
3.2	DOOR CATCH	535480054	
3.3	DOOR HINGE BUSH	535480077	
4	HOB FILLING LH SIDE	730963121	
5	HOB FILLING RH SIDE		
6	CONTROL PANEL	734000012	
7	DRIP TRAY	734000013	
8	OVEN BASE PANEL ASSY	731402250	
9	OVEN DOOR SEAL	535241010	
10	OVEN DRIP TRAY LH OR RH	734000001	
11	FRONT HOB RAIL	535330006	
12	HOB REAR FLUE RAIL	535330005	
13	DRIP SHEDS LH OR RH	734000000	
14	S/S ADJUSTABLE LEG	535290028	
	CASTOR SWIVEL	530964350	
	CASTOR FIXED	534103055	
15	RH OUTER SIDE PANEL	535200001	
16	LH OUTER SIDE PANEL	535200000	
17	OVEN GRID SHELF	535330010	
18	OVEN SHELF HANGER	535200012	
19	OVEN DOOR LATCH & SHIM	535200013	

FOR HOTPLATE SPARES SEE: AA48636
FOR OVEN SPARES SEE: AA48719

PRODUCTION ISSUE

ISSUE	MOD No	ALTERATION	DRAWN BY	DATE
A	1284	PRODUCTION ISSUE	S. BROWN	01/06/11

IF IN DOUBT ASK
DO NOT SCALE
FIRST ANGLE PROJECTION

UNLESS OTHERWISE SPECIFIED:
DIMENSIONS ARE IN MILLIMETERS
TOLERANCES:
LINEAR: ±0.5mm
ANGULAR: ±0.5 DEG

DEBUR AND
BREAK SHARP EDGES

WEIGHT: g

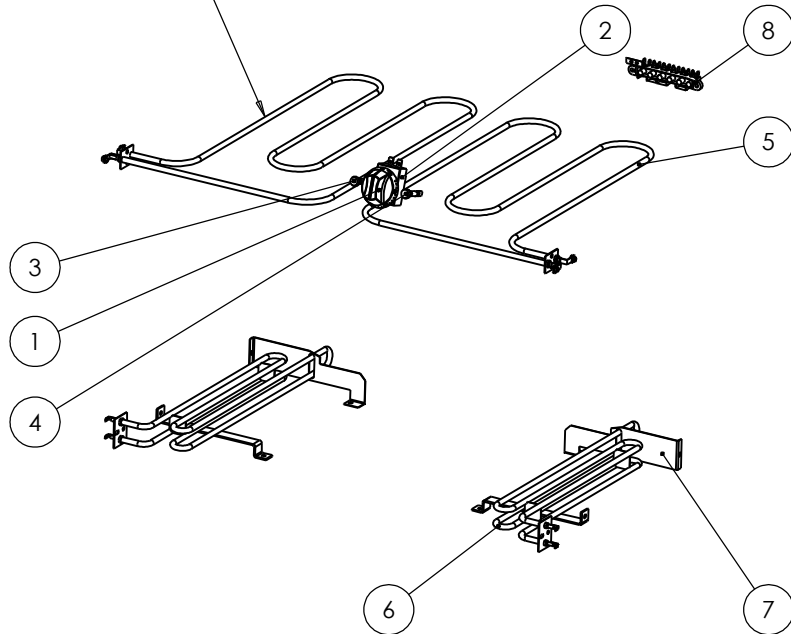


DRAWN: S. BROWN	PRODUCT
DATE: 01/06/11	TITLE
SCALE: 1:7	
MATL:	DRAWING NUMBER
THICKNESS:	FINISH:
BIN No:	PART No:

E3161 RANGE	
SPARES - OUTER PANELS	
AA48635	A

© NO REPRODUCTION OR PUBLICATION OF THIS DRAWING MAY BE MADE AND NO ARTICLE MAY BE MANUFACTURED OR ASSEMBLED IN ACCORDANCE WITH THIS DRAWING WITHOUT PRIOR WRITTEN CONSENT. THIS PROHIBITION IS A TERM OF ANY CONTRACT RELATING TO THIS DRAWING. RIGHTS RESERVED UNDER THE COPYRIGHT ACT 1956 AS AMENDED BY THE DESIGN COPYRIGHT ACT 1968

N/A ON E3161



ITEM No	DESCRIPTION	E3161 3HP	E3101 3HP	E3101 4HP	E3117
1	OVEN CONTROL KNOB		73400002		
2	OVEN CONTROL THERMOSTAT		730962080		
3	RED MAINS INDICATOR		731000008		
4	AMBER HEAT INDICATOR		731000007		
5	OVEN TOP ELEMENT LH(N/A E3161) OR RH		730962050		
6	OVEN BOTTOM ELEMENT LH OR RH		730962060		
7	REAR BOTTOM ELEMENT SUPPORT BKT		734200003		
8	MAINS TERMINAL		731000006		

FOR 900 WIDE OUTER PANELS, SEE AA48634
 FOR 600 WIDE OUTER PANELS, SEE AA48635
 FOR HOB ELECTRICS, SEE AA48636
 FOR OTC OVEN ELECTRICS, SEE AA48637

PRODUCTION ISSUE

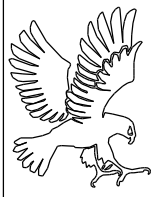
ISSUE	MOD No	ALTERATION	DRAWN BY	DATE
A	1284	PRODUCTION ISSUE	S. BROWN	01/06/11

IF IN DOUBT ASK
DO NOT SCALE
FIRST ANGLE PROJECTION

UNLESS OTHERWISE SPECIFIED:
DIMENSIONS ARE IN MILLIMETERS
TOLERANCES:
LINEAR: ±0.5mm
ANGULAR: ±0.5 DEG

DEBUR AND
BREAK SHARP EDGES

WEIGHT: 94600.85g



DRAWN: S. BROWN	PRODUCT	
DATE: 01/06/11	TITLE	
SCALE: 1:8	E3100 SERIES	
MATL:	SPARES - OVEN ELECTRICAL COMPONENTS (NON OTC)	
THICKNESS:	DRAWING NUMBER	ISSUE
BIN No:	AA48719	A
FINISH:	PART No:	

© NO REPRODUCTION OR PUBLICATION OF THIS DRAWING MAY BE MADE AND NO ARTICLE MAY BE MANUFACTURED OR ASSEMBLED IN ACCORDANCE WITH THIS DRAWING WITHOUT PRIOR WRITTEN CONSENT. THIS PROHIBITION IS A TERM OF ANY CONTRACT RELATING TO THIS DRAWING. RIGHTS RESERVED UNDER THE COPYRIGHT ACT 1956 AS AMENDED BY THE DESIGN COPYRIGHT ACT 1968