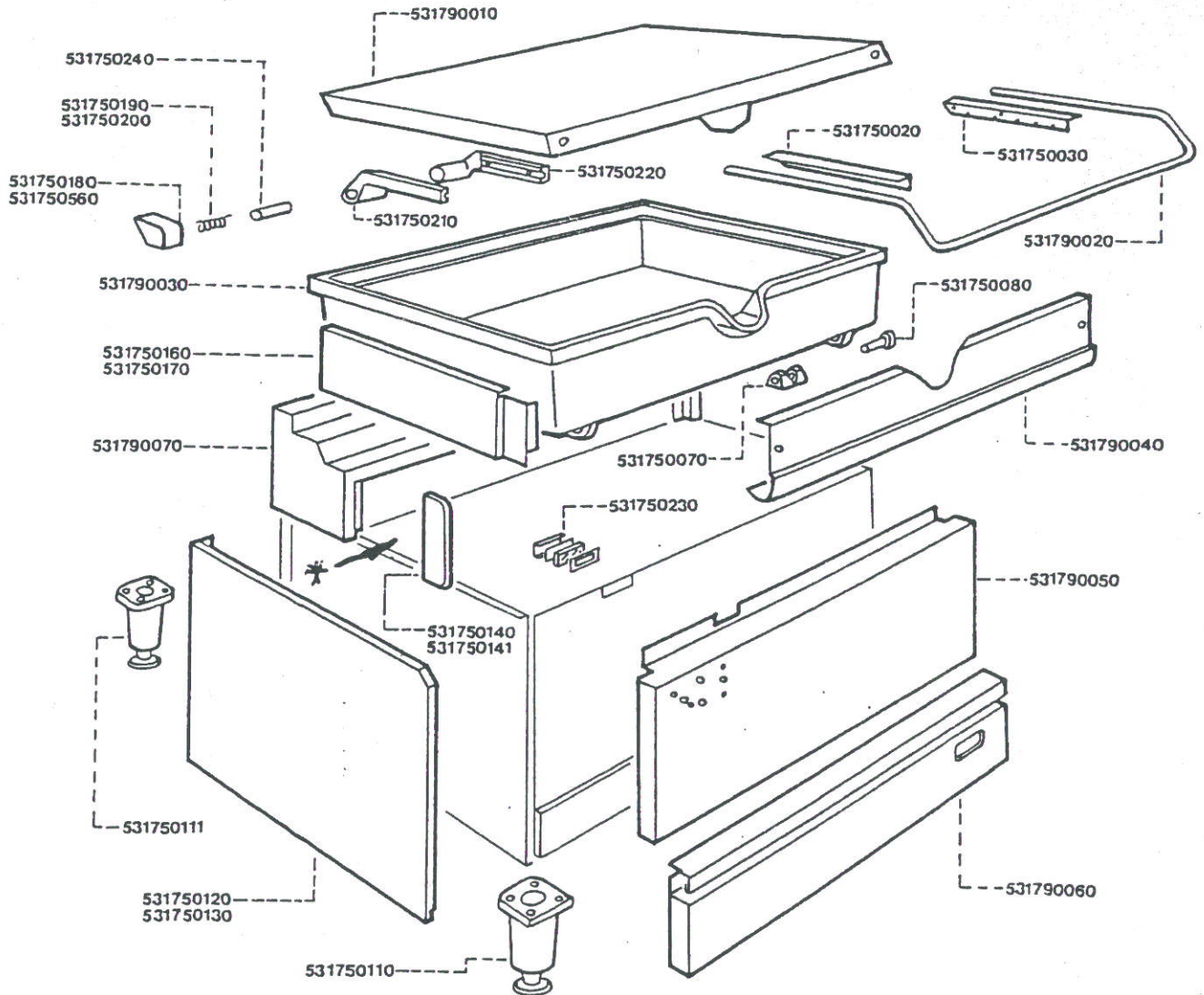


G1995 BRATT PAN

FITMENTS



Code No.	Description
9C 531750020	Lid Hinge Bracket—L.H.
9C 531750030	Lid Hinge Bracket—R.H.
9C 531750070	Pan Hinge Casting
6B 531750080	Pan Hinge Pin
9B 531750110	Adjustable Leg c/w Foot—Front
9B 531750111	Adjustable Leg c/w Foot—Rear
2F 531750120	Outer Side Panel—L.H.
2F 531750130	Outer Side Panel—R.H.
12C 531750140	End Cheek—L.H.
12C 531750141	End Cheek—R.H.
12D 531750160	Pan Side Panel—L.H.
12D 531750170	Pan Side Panel—R.H.
3E 531750180	Lid hinge Block—L.H.
3E 531750560	Lid Hinge Block—R.H.

Code No.	Description
8B 531750190	Lid Hinge Spring—L.H.
8B 531750200	Lid Hinge Spring—R.H.
10E 531750210	Lid Hinge Arm—L.H.
10E 531750220	Lid Hinge Arm—R.H.
8C 531750230	Sight Glass Assembly
3C 531750240	Lid Hinge Bar
9H 531790010	Pan Lid
11F 531790020	Lid Handle
11N 531790030	Pan
7D 531790040	Pan Facia Panel
6F 531790050	Front Panel
3F 531790060	Bottom Front Panel
3G 531790070	Rear Hob Rail

* NOT SHOWN - CENTRE TRAY 131750980

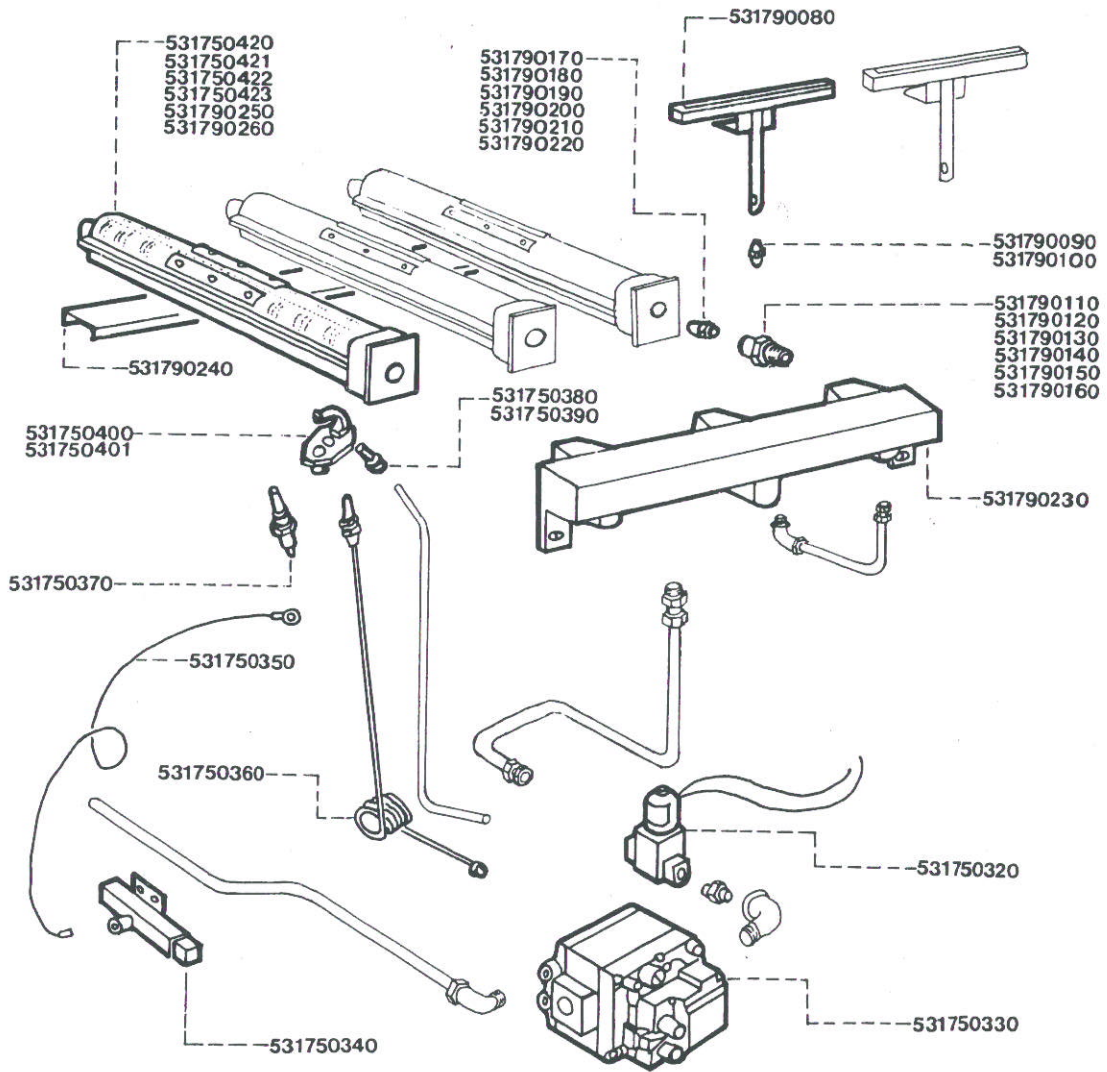
Sheet Reference Number

G1995/0785/001

**Falcon Catering
Equipment**
Commercial and institutional
catering equipment



Falcon Catering Equipment is a
business name of
Glynwed Consumer & Building Products Ltd
a member of the
Glynwed International plc
group of companies



Code No.	Description
6H 531750320	Solenoid Valve
6H 531750330	Multifunctional Control
8D 531750340	Spark Igniter
3B 531750350	Igniter Lead
12C 531750360	Thermocouple
*10A 531750370	Electrode
1B 531750380	Pilot Jet—Nat. Gas.
1B 531750390	Pilot Jet—L.P. Gas
7D 531750400	Pilot Burner Nat. Gas
5C 531750401	Pilot Burner L.P. Gas
11H 531750420	Burner—Nat. Gas—L.H.
11H 531750421	Burner—Nat. Gas—R.H.
11H 531750422	Burner—L.P. Gas—L.H.
11H 531750423	Burner—L.P. Gas—R.H.
10D 531790080	Crosslighting Burner
1B 531790090	Crosslighting Jet—Nat. Gas
1B 531790100	Crosslighting Jet—L.P. Gas

Code No.	Description
1B 531790110	Burner Injector—Nat. Gas—R.H.
1B 531790120	Burner Injector—Nat. Gas—L.H.
1B 531790130	Burner Injector—Nat. Gas—Centre
1B 531790140	Burner Injector—L.P. Gas—R.H.
1B 531790150	Burner Injector—L.P. Gas—L.H.
1B 531790160	Burner Injector—L.P. Gas—Centre
1B 531790170	Injector Jet—Nat. Gas—R.H.
1B 531790180	Injector Jet—Nat. Gas—L.H.
1B 531790190	Injector Jet—Nat. Gas—Centre
1B 531790200	Injector Jet—L.P. Gas—R.H.
1B 531790210	Injector Jet—L.P. Gas—L.H.
1B 531790220	Injector Jet—L.P. Gas—Centre
11E 531790230	Manifold
6C 531790240	Burner Support Channel
11H 531790250	Burner—Nat. Gas—Centre
11H 531790260	Burner—L.P. Gas—Centre

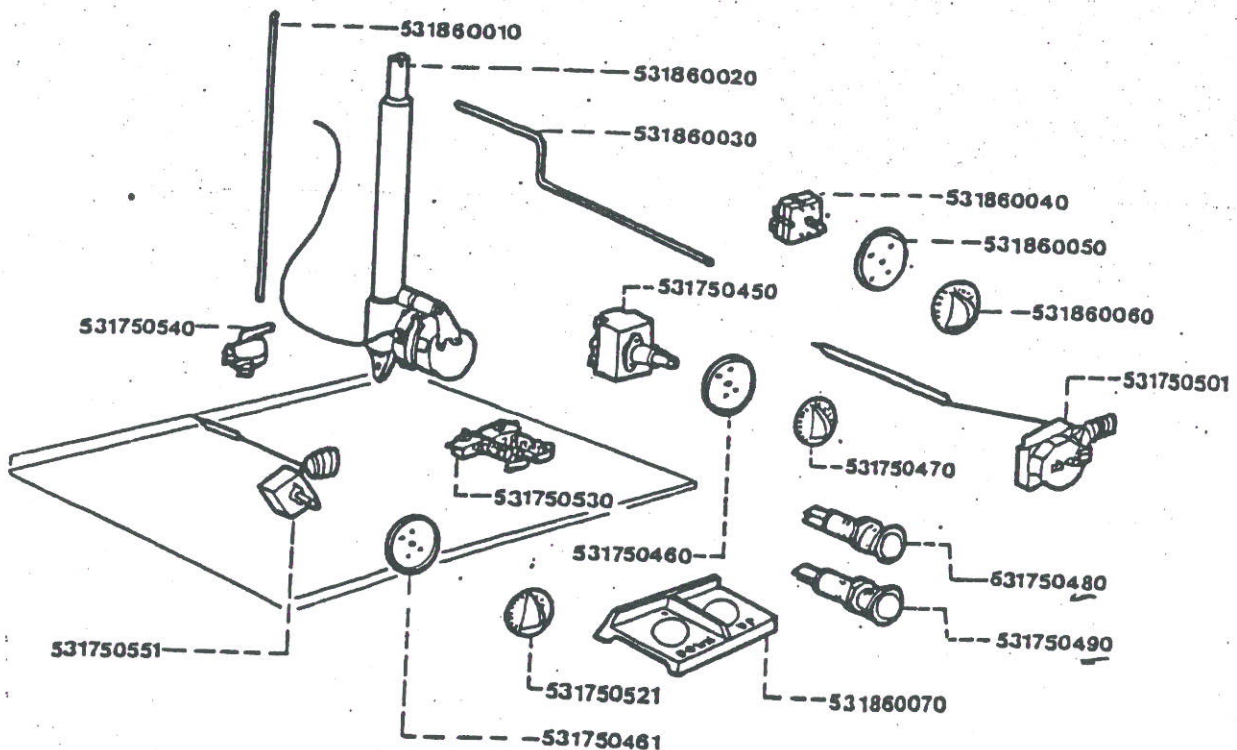
Sheet Reference Number

11995/0785/003

**Falcon Catering
Equipment**
Commercial and institutional
catering equipment



Falcon Catering Equipment is a
business name of
Glynwed Consumer & Building Products Ltd
a member of the
Glynwed International plc
group of companies



Code No.	Description
5B 531860010	Microswitch Rod
4P 531860020	Linear Power Pack
1D 531860030	Winding Handle
2E 531860040	Changeover Switch
10A 531860050	Changeover Switch Bezel
6B 531860060	Changeover Switch Knob
10D 531860070	Foot Bellows
8D 531750450	Simmerstat
6B 531750460	Simmerstat Bezel
6B 531750480	Control Thermostat Bezel
6B 531750470	Simmerstat Knob
6B 531750521	Control Thermostat Knob
9B 531750530	Terminal Block
10C 531750540	Microswitch
1E 531750551	Control Thermostat
531750501	SAFETY STAT - 30/7/86 - 13/6/89.
531750502	" " POST 6/89.
531860080	AIR SWITCH.

Sheet Reference Number

G1995/0785/002

**Falcon Catering
Equipment**
Commercial and institutional
catering equipment



Falcon Catering Equipment is a
business name of
Glynwed Consumer & Building Products Ltd
a member of the
Glynwed International plc
group of companies