

MAR 1-2-3 Split

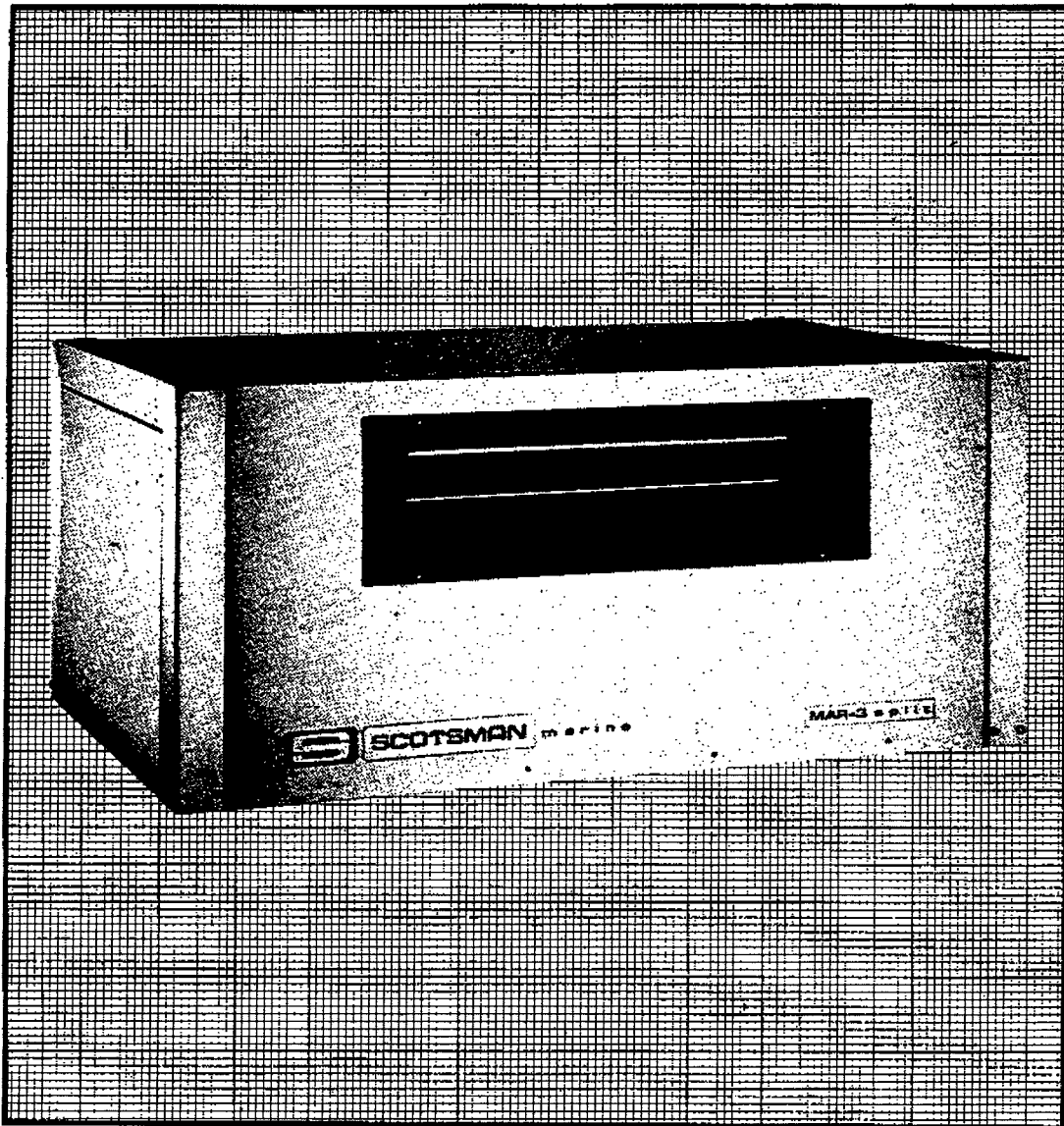
Scale ice makers

Spare parts list

Catalogo ricambi

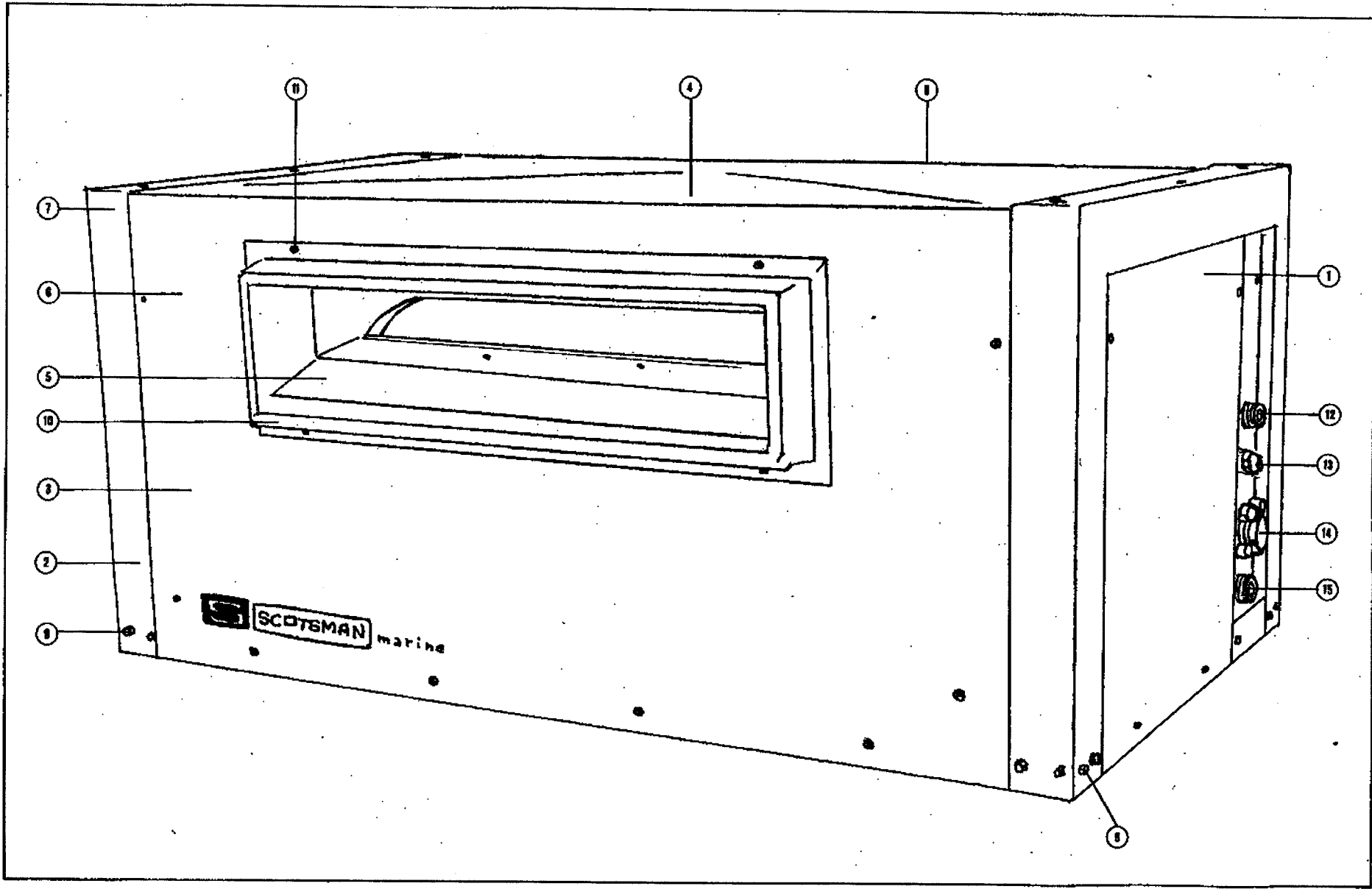
Catalogues pièces détachées

Ersatzteilkatalog



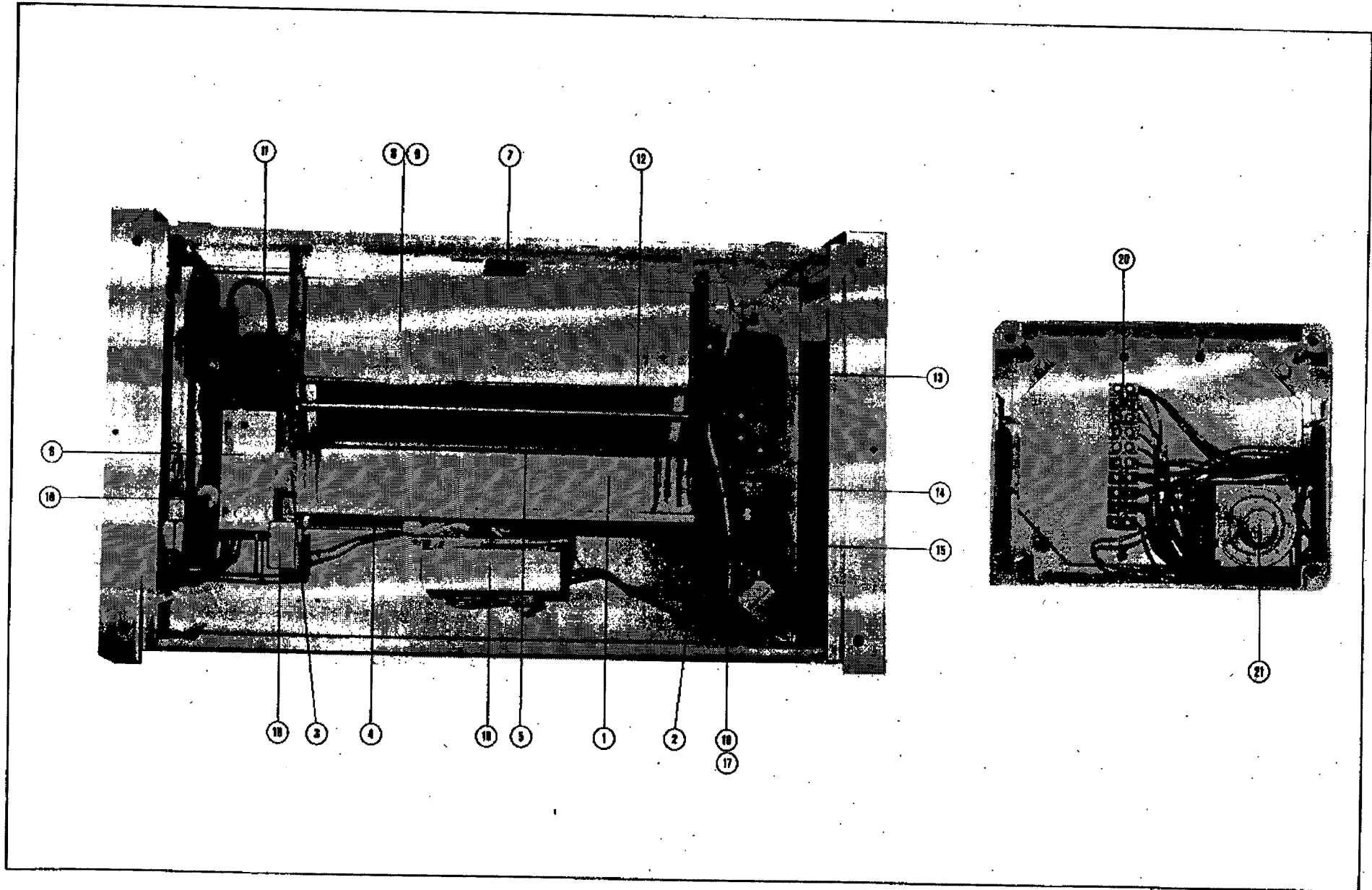
SCOTSMAN®

ICE SYSTEMS



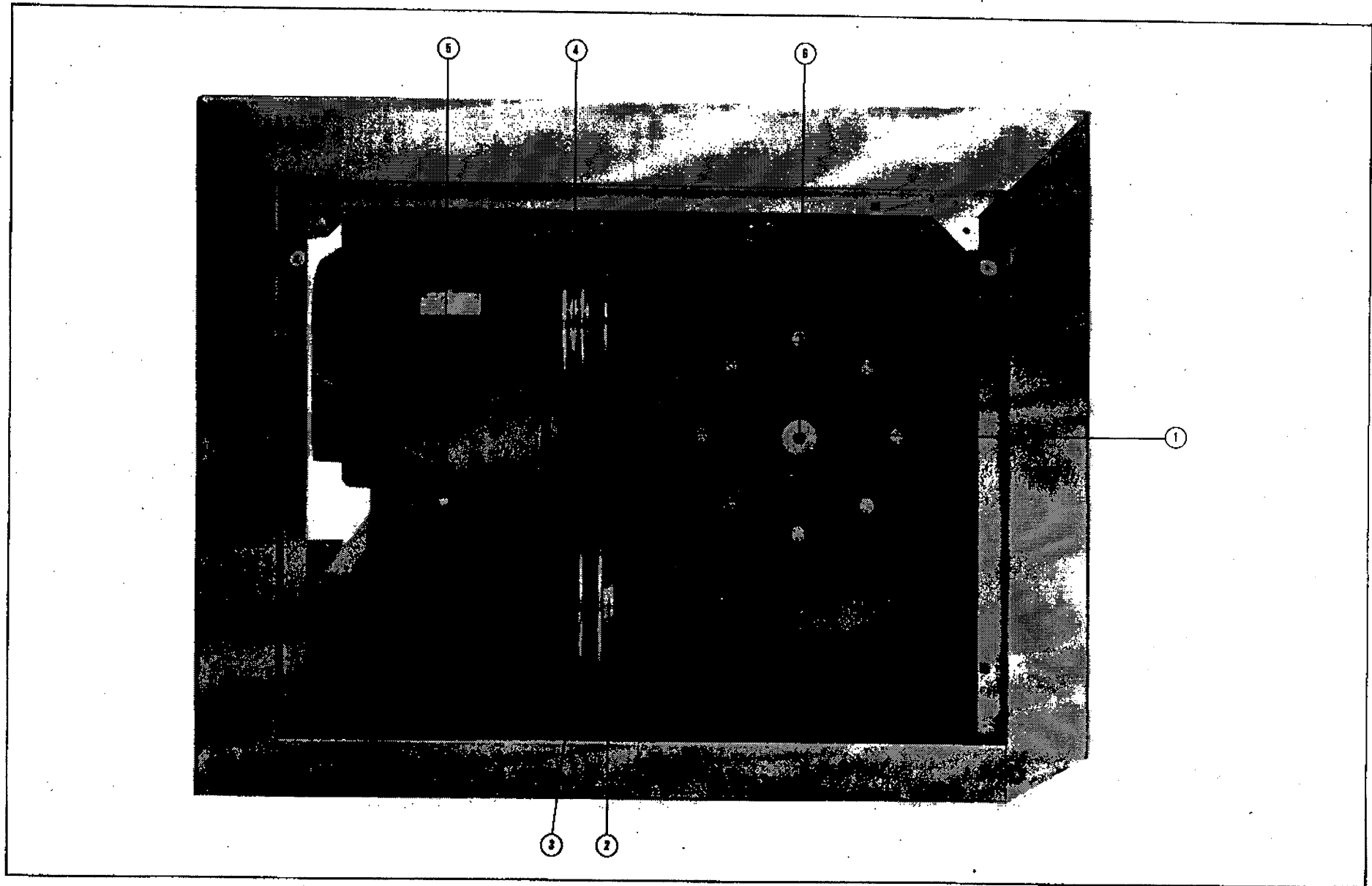
MAR 1-2-3 SPLIT - UNIT PANELS - ASSIEME MOBILE - ENS. CORROSERIE - AUSWAENDE

ITEM NO.	PART NO			DESCRIPTION	DESCRIZIONE	DÉSIGNATION	BESCHREIBUNG
	MAR 1	MAR 2	MAR 3				
1	721466.00	721467.00 470002.04 650428.03		LEFT SIDE PANEL SCREW PLASTIC CLIP	PANN. LAT. SIN. VITE MOLLETTA IN PLASTICA	PANNEAU GAUCHE VIS CLIP EN PLASTIQUE	LINKE AUSSENWAND SCHRAUBE PLASTISCHE MUTTER
2				FRAME ASSY	ASSIEME TELAIO	ENSEMBLE CHASSIS	UNTERGESTELLEINHEIT
3	721468.01	721469.01		REAR PANEL	PANNELLO POSTERIORE	PANNEAU ARRIERE	RUECKWAND
4	721444.04	721444.03		TOP PANEL	PANNELLO SUPERIORE	PANNEAU DESSUS	ABDECKHAUBE
5	741101.03	741101.02		PLASTIC CHUTE	SCIVOLO	GLISSIERE	EISRUTSCHEN
6		470002.03		SCREW	VITE	VIS	SCHRAUBE
7	721466.01	721467.01		RIGHT PANEL	PANNELLO DESTRO	PANNEAU DROITE	RECHTE SEITENWAND
8	781359.09	781359.11		FRONT PANEL	PANNELLO-FRONTALE	PANNEAU AVANT	VORDERWAND
9		420000.12		SCREW	VITE	VIS	SCHRAUBE
10	660478.00	660478.01		SPOUT OPENING FRAME	CARTER BOCCA USCITA GHIACCIO	CARTER GOULOTTE SORTIE GLACE	TRICHTEREINHEIT
11		470026.00		SCREW	VITE	VIS	SCHRAUBE
12		733205.00 400031.00 400030.00 650104.00		WATER INLET FITTING GASKET NUT STRAINER	RACC. ENTRATA ACQUA GUARNIZIONE DADO FILTRO	RACCORD ARRIVÉE D'EAU JOINT DE SERRAGE ECROU FILTRE	WASSEREINLAUF DICHTUNG MUTTER FILTER
13	400085.01	400085.02		LIQUID REFRIG. LINE CONNECTION	RACCORDO TUBAZIONE REFRIG. LIQUIDO	RACCORD TUYAUTERIE REFRIG. LIQUIDE	FLUSSIGE KALTEMITTEL LEITUNG ANSCHLUSS
14	400085.03 — —	650521.00 640076.09	650521.01 640076.10	GAS REFRIG. LINE CONNECTION GASKET SCREW	RACCORDO TUBAZ. REFR. GAS GUARNIZIONE VITE	RACCORD TUYAUTERIE REFRIG. GAZ JOINT VIS	GAS KALTEMITTEL LEITUNG ANSCHLUSS DICHTUNG SCHRAUBE
15		660224.00 400071.00 400070.00		WATER OUTLET FITTING GASKET NUT	RACC. SCARICO ACQUA GUARNIZIONE DADO	RACC. EVAC. D'EAU JOINT ECROU	WASSER ABFLUSS DICHTUNG MUTTER



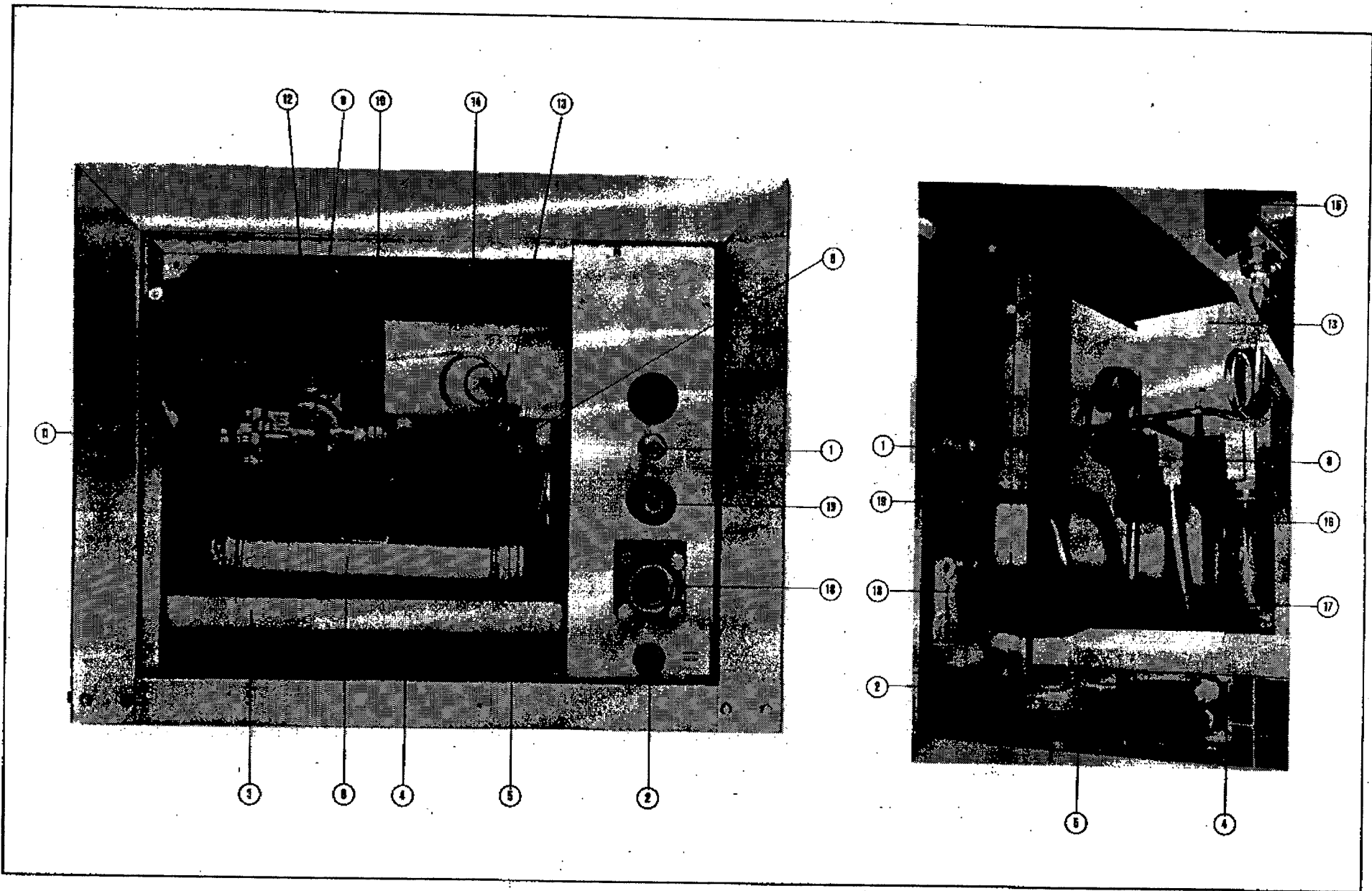
MAR 1-2-3 SPLIT - TOP VIEW - VISTA SUPERIORE - VUE SUPERIEURE - OBERE ANSICHT

ITEM NO	PART NO			DESCRIPTION	DESCRIZIONE	DÉSIGNATION	BESCHREIBUNG
	MAR 1	MAR 2	MAR 3				
1	794261.00* 794271.00	794264.00* 794274.00		EVAPORATOR DRUM BASIN EVAPORATOR DRUM BASIN	ASSIEME VASCA EVAPORATORE ASSIEME VASCA EVAPORATORE	ENSEMBLE CUVE EVAPORATEUR ENSEMBLE CUVE EVAPORATEUR	WASSERBAD WASSERBAD
2	742096.00* 794272.00	742095.00* 794272.01		BASIN SIDE - GEAR SIDE BASIN SIDE - GEAR SIDE	FIANCO VASCA - LATO RIDUTT. FIANCO VASCA - LATO RIDUTT.	PARTIE DROITE DE CUVE PARTIE DROITE DE CUVE	WASSERBAD RECHTENSEITE WASSERBAD RECHTENSEITE
3	742097.00* 794273.00	742094.00* 794273.01		BASIN SIDE - REFR. SIDE BASIN SIDE - REFR. SIDE	FIANCO VASCA - LATO REFR. FIANCO VASCA - LATO REFR.	PARTIE GAUCHE DE CUVE PARTIE GAUCHE DE CUVE	WASSERBAD LINKENSEITE WASSERBAD LINKENSEITE
4	724263.05 723120.05	724263.04 723120.04 420000.02 441001.07		BASIN BODY TIE-ROD SCREW WASHER	CORPO VASCA TIRANTE VITE RONDELLA	PARTIE CENTRALE DE CUVE ARBRE VIS RONDELLE	WASSERBAD BANDEN SHAFT SCHRAUBE SCHEIBE
5	784353.00* 784353.02	784353.01* 784353.03		EVAP. DRUM ASSY EVAP. DRUM ASSY	ASSIEME TAMBURO EVAP. ASSIEME TAMBURO EVAP.	ENSEMBLE TAMBOUR EVAP. ENSEMBLE TAMBOUR EVAP.	KOMPLETT VERDAMPFER KOMPLETT VERDAMPFER
6	793126.13 660459.00 680363.00 783127.00	793126.14 783159.00 783160.00 783161.00 430014.00 440015.03 783153.00 460038.02 640100.00		FLOAT RESERV. ASSY RESERVOIR COVER FLOAT BALL SCREW WASHER NOZZLE RING O RING	ASSIEME VASCHETTA GALLEGGIANTE VASCHETTA COPERCHIO GALLEGGIANTE VITE RONDELLA UGELLO ANELLO ANELLO OR	ENSEMBLE RESERV. A FLOTTEUR RESERVOIR COUVERCLE FLOTTEUR VITE RONDELLE GICLEUR ANNEAU JOINT TORIQUE	BECKEN EINHEIT MIT SCHWIMMER VENT BECKENEINHEIT DECKEL SCHWIMMER SCHRAUBE SCHEIBE RING RING SIMMERING
7		620366.00		SPOUT SWITCH	MICRO-BOCCHETTA	MICRO-GOULOTTE	MICRO-SCHALTER
8		650161.00		SPRING	MOLLETTA	RESSORT	FEDER
9	724276.01	724276.00		PRESSURE PLATE	PIASTRA DI PRESS.	PLAQUETTE DE PRESSION	DRUCKPLATTE
10	620326.05 620326.05 620326.05 620326.05 001010.01	620326.07* 620326.06* 620326.09 620326.07 001010.02	620326.08* 620326.06 620326.07 620326.06 001010.02	EXPANSION VALVE - FRESH WATER EXPANSION VALVE - SEA WATER EXPANSION VALVE - FRESH WATER EXPANSION VALVE - SEA WATER EXPANSION VALVE NOZZLE	VALV. DI ESPANSIONE - ACQUA DOLCE VALV. DI ESPANSIONE - ACQUA DI MARE VALV. DI ESPANSIONE - ACQUA DOLCE VALV. DI ESPANSIONE - ACQUA DI MARE UGELLO VALVOLA ESPANSIONE	DETENDEUR - EAU DOUCE DETENDEUR - EAU DE MER DETENDEUR - EAU DOUCE DETENDEUR - EAU DE MER GICLEUR - DETENDEUR	EXPANSION VENTIL - SÜSS WASSER EXPANSION VENTIL - SEE WASSER EXPANSION VENTIL - SÜSS WASSER EXPANSION VENTIL - SEE WASSER EXP. VENTILSDUESE
11		620324.03		SIGHT GLASS	SPIA LIQUIDO	HUBLOT	SCHAUGLASS
12	724278.00	724278.01		DRUM GUARD	PIASTRA PROTEZIONE	PLAQUE PROTECTION	SCHUTZPLATTE
13	620377.00* 620377.02	620377.01* 620377.03		GEAR REDUCER GEAR REDUCER	RIDUTTORE RIDUTTORE	BOITE REDUCTEUR BOITE REDUCTEUR	GETRIEBE GETRIEBE
14	734597.03* 734597.03* 734597.07	734597.05* 734597.07* 734597.18	734597.07* 734597.08* 734597.07	MOTOR PULLEY - FRESH WATER MOTOR PULLEY - SEA WATER MOTOR PULLEY	PULEGGIA MOTORE - ACQUA DOLCE PULEGGIA MOTORE - ACQUA DI MARE PULEGGIA MOTORE	POULIE MOTEUR - EAU DOUCE POULIE MOTEUR - EAU DE MER POULIE MOTEUR	ANTRIEBS-SCHEIBE - SÜSS WASSER ANTRIEBS-SCHEIBE - SEE WASSER ANTRIEBS-SCHEIBE
15		620344.00 620316.02		DRIVE MOTOR 24 V DRIVE MOTOR 380 V	MOTORE AZIONAMENTO 24 V MOTORE AZIONAMENTO 380 V	MOTEUR D'ENTREINEMENT 24 V MOTEUR D'ENTRAINEMENT 380 V	ANTRIEBSMOTOR 24 V ANTRIEBS MOTOR 380 V
16	784350.00	784350.01 420000.13 441001.05 430001.02		MOTOR BRACKET SLEIGHT SCREW WASHER NUT	SLITTA SUPPORTO MOTORE VITE RONDELLA DADO	COULISSEU PORTE MOTEUR VIS RONDELLE ECROU	ANTRIEBSMOTORANLAGE SCHLITTEN SCHRAUBE SCHEIBE MUTTER
17		420000.29 441001.07		SCREW WASHER	VITE RONDELLA	VIS RONDELLE	SCHRAUBE SCHEIBE
18		620241.00 620322.00		WASSER PRESS. CONTROL - FRESH WATER WASSER PRESS. CONTROL - SEA WATER	PRESSOSTATO ACQUA - ACQUA DOLCE PRESSOSTATO ACQUA - ACQUA DI MARE	PRESSOSTAT D'EAU - EAU DOUCE PRESSOSTAT D'EAU EAU DE MER	WASSERDRUCKSCHALTER - SÜSS WASSER WASSERDRUCKSCHALTER - SEA WASSER
19		630111.04		CONTROL BOX	SCATOLA ELETTRICA	BOITE ELECTRONIQUE	ANSCHLUSSKASTENEINHEIT
20		630083.04		TERMINAL BLOCK	MORSETTIERA	BORNIER	ANSCHLUSSKASTEN
21		620371.00		TIME DELAY	RITARDATORE	TEMPORIZATEUR	SICHERUNGZEITHUR
				* Up to MAR 1 S.N. 2058 Up to MAR 2 S.N. 2086 Up to MAR 3 S.N. 2103	* Fino al MAR 1 N.S. 2058 Fino al MAR 2 N.S. 2086 Fino al MAR 3 N.S. 2103	* Jusqu'à MAR 1 N.S. 2058 Jusqu'à MAR 2 N.S. 2086 Jusqu'à MAR 3 N.S. 2103	* Bis MAR 1 S.N. 2058 Bis MAR 2 S.N. 2086 Bis MAR 3 S.N. 2103



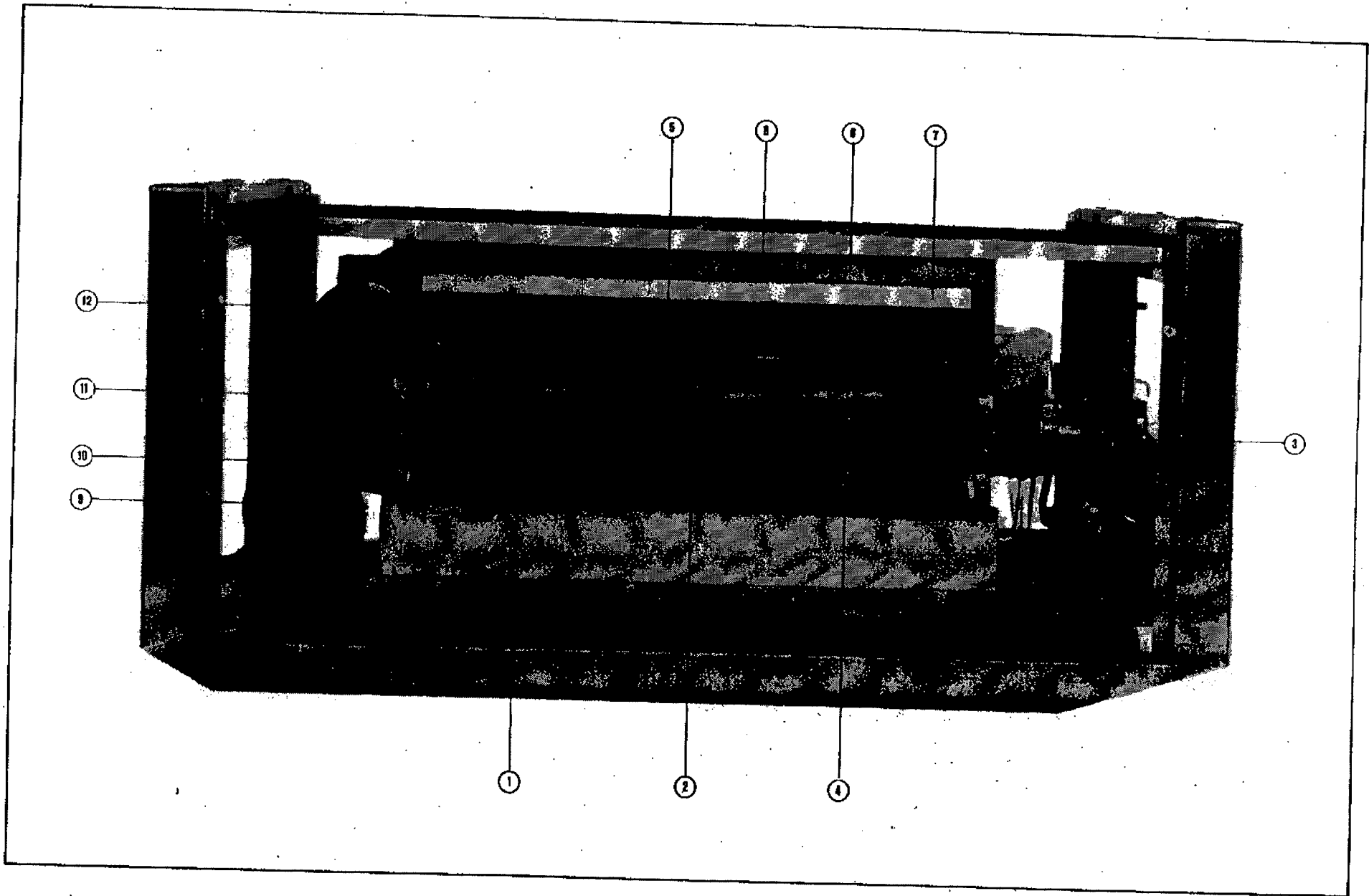
MAR 1-2-3 SPLIT - DRIVE SIDE VIEW - VISTA LATO MOTORIDUTTORE - VUE COTÈ MOTOREDUCTEUR - GETRIEBEMOTORSEITENSICHT

ITEM NO	PART NO			DESCRIPTION	DESCRIZIONE	DÉSIGNATION	BESCHREIBUNG
	MAR 1	MAR 2	MAR 3				
1	620377.00* 620377.02 420002.14 441001.04 430001.05	620377.01* 620377.03 420002.17 440015.07 430001.07		GEAR REDUCER GEAR REDUCER SCREW WASHER NUT	RIDUTTORE RIDUTTORE VITE RONDELLA DADO	BOITE REDUCTEUR BOITE REDUCTEUR VIS RONDELLE ECROU	GETRIEBE GETRIEBE SCHRAUBE SCHEIBE MUTTER
2	734597.04* 734597.12 741092.02	734597.05* 734597.04 741092.03 420025.02		REDUCER PULLEY REDUCER PULLEY KEY SCREW	PULEGGIA RIDUTTORE PULEGGIA RIDUTTORE CHIAVETTA VITE	POULIE REDUCTEUR POULIE REDUCTEUR CLAVETTE VIS	GETRIEBRIEMEN GETRIEBRIEMEN SCHLUSSE SCHRAUBE
3	650422.05 650422.05 650422.05	650422.05* 650422.04 650422.16		V.BELT - FRESH WATER V.BELT - SEA WATER V.BELT	CINGHIA TRAPEZIOIDALE - ACQUA DOLCE CINGHIA TRAPEZIOIDALE - ACQUA DI MARE CINGHIA TRAPEZIOIDALE	COURROIE - EAU DOUCE COURROIE - EAU DE MER COURROIE	KIELRIEMEN - SÜSS WASSER KIELRIEMEN - SEE WASSER KIELRIEMEN
4	734597.03* 734597.03* 734597.07	734597.05* 734597.07* 734597.18	734597.07* 734597.08* 734597.07	MOTOR PULLEY - FRESH WATER MOTOR PULLEY - SEA WATER MOTOR PULLEY	PULEGGIA MOTORE - ACQUA DOLCE PULEGGIA MOTORE - ACQUA DI MARE PULEGGIA MOTORE	POULIE MOTEUR - EAU DOUCE POULIE MOTEUR - EAU DE MER POULIE MOTEUR	ANTRIEBS-SCHEIBE - SÜSS WASSER ANTRIEBS-SCHEIBE - SEE WASSER ANTRIEBS-SCHEIBE
5		620344.00 620316.02 420000.11 440002.03 440015.05 441001.05		DRIVE MOTOR 24 V DRIVE MOTOR 380 V SCREW WASHER WASHER WASHER	MOTORE AZIONAMENTO 24 V MOTORE AZIONAMENTO 380 V VITE RONDELLA RONDELLA RONDELLA	MOTEUR D'ENTREINEMENT 24 V MOTEUR D'ENTREINEMENT 380 V VIS RONDELLE RONDELLE RONDELLE	ANTRIEBSMOTOR 24 V ANTRIEBSMOTOR 380 V SCHRAUBE SCHEIBE SCHEIBE SCHEIBE
6	741092.02	741092.03		FIBER KEY	CHIAVETTA FIBRA	CLAVETTE CELERON	FIBER KEIL
				* Up to MAR 1 S.N. 2058 Up to MAR 2 S.N. 2086 Up to MAR 3 S.N. 2103	* Fino al MAR 1 N.S. 2058 Fino al MAR 2 N.S. 2086 Fino al MAR 3 N.S. 2103	* Jusqu'à MAR 1 N.S. 2058 Jusqu'à MAR 2 N.S. 2086 Jusqu'à MAR 3 N.S. 2103	* Bis MAR 1 S.N. 2058 Bis MAR 2 S.N. 2086 Bis MAR 3 S.N. 2103



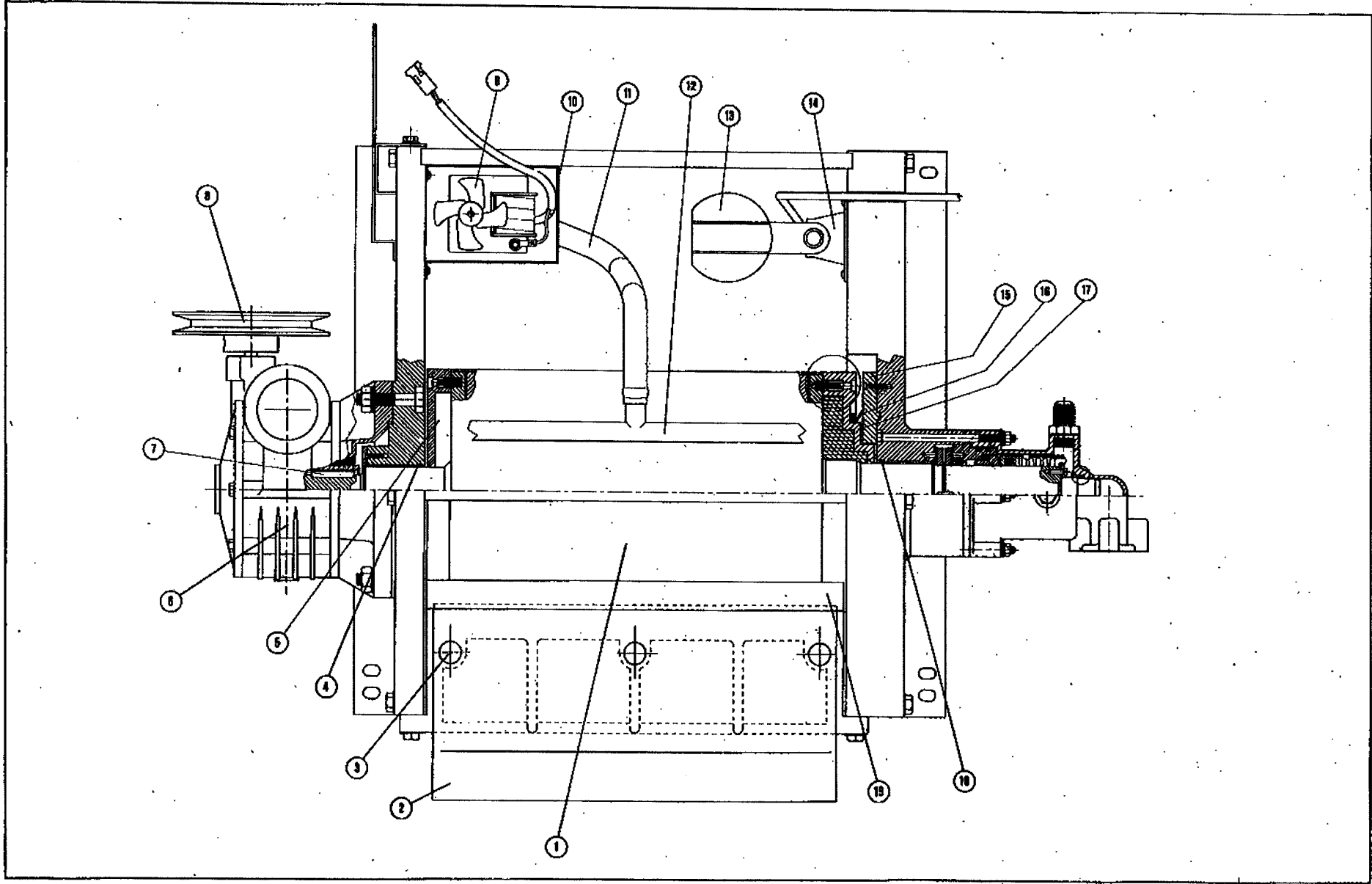
MAR 1-2-3 SPLIT - REFRIG. SIDE VIEW - VISTA LATO REFRIGERANTE - VUE COTÈ REFRIG. - GEFRIEREINSAMMLER.

ITEM NO	PART NO			DESCRIPTION	DESCRIZIONE	DÉSIGNATION	BESCHREIBUNG
	MAR 1	MAR 2	MAR 3				
1		733205.00* 400031.00 400030.00 650104.00		WATER INLET FITTING GASKET NUT STRAINER	RACC. ENTRATA ACQUA GUARNIZIONE NUT FILTRO	RACCORD D'ARRIVÉE D'EAU JOINT DE SERRAGE ECROU FILTRE	WASSEREINLAUF DICHTUNG MUTTER FILTER
2		660224.00 400071.00 400070.00		WATER OUTLET FITTING GASKET NUT	RACC. SCARICO ACQUA GUARNIZIONE DADO	RACCORDO EVAC. D'EAU JOINT ECROU	WASSERABFLUSS DICHTUNG MUTTER
3		781365.03		WATER TRAY	BACINELLA	GOUELLE D'EAU	TRAPPFANNE
4		660219.00 660211.01 640134.00		WATER DRAIN FITTING MALE FITTING O RING	RACC. SCARICO BACINELLA RACC. MASCHIO ANELLO OR	RACC. EVAC. D'EAU RACC. MALE JOINT TORIQUE	TROPFFANNE WASSERABFLUSS ZAPFEN SIMMERING
5		460038.00		DRAIN TUBE CLAMP	TUBO SCARICO FASCETTA	TUYAU D'EVACUATION COLLIER	WASSERABFLUSSROHR KLEMME
6	620317.00	620317.01	620317.02	HEAT EXCHANGER	SCAMBIATORE DI CALORE	EXCHANGEUR DE CHALEUR	WARMETAUSCHER
7		620324.03		LIQUID SIGHT GLASS	SPIA LIQUIDO	HUBLLOT	SCHAUGLASS
8	620326.05 620326.05 620326.05 620326.05 001010.01	620326.07* 620326.06* 620326.09 620326.07 001010.02	620326.06* 620326.06 620326.07 620326.06 001010.02	EXPANSION VALVE - FRESH WATER EXPANSION VALVE - SEA WATER EXPANSION VALVE - FRESH WATER EXPANSION VALVE - SEA WATER EXPANSION VALVE NOZZLE	VALV. DI ESPANSIONE - ACQUA DOLCE VALV. DI ESPANSIONE - ACQUA DI MARE VALV. DI ESPANSIONE - ACQUA DOLCE VALV. DI ESPANSIONE - ACQUA DI MARE UGELLO VALVOLA ESPANSIONE	DETENDEUR - EAU DOUCE DETENDEUR - EAU DE MER DETENDEUR - EAU DOUCE DETENDEUR - EAU DE MER GICLEUR - DETENDEUR	EXPANSION VENTIL - SOSS WASSER EXPANSION VENTIL - SEE WASSER EXPANSION VENTIL - SOSS WASSER EXPANSION VENTIL - SEE WASSER EXP. VENTILSDUESE
9		743127.01 440015.05 430001.02		REFRIGERANT MINIFORLD WASHER NUT	COLLETTORE REFRIGERANTE RONDELLA DADO	COLLECTEUR REFRIGERANT RONDELLE ECROU	EINSAMMLER SCHEIBE MUTTER
10		733208.00 400085.00		REF. LINE FITTING FLARE NUT	RACC. ACCOPP. TUBO REFRIG. DADO SVASATO	ACCOUPL. TUYAU REFRIG. ECROU	KALTEMITTEL ROHR VERBINDUNG MUTTER
11		650521.00		MANIFOLD FITTING	RACCORDO COLLETTORE	RACCORD COLLECTEUR	EINSAMMLER ANSCHLUSS
12		650109.00 650106.00 650538.00		VALVE BODY CAP REFRIG. FITTING	CORPO VALVOLA CAPPELLOTTO RACCORDO REFRIGERANTE	CORP DE VANNE CLAPET RACCORD REFRIGERANT	VENTIL BODEN STOPFEN KALTEMITTEL FULLUNG ANSCHLUSS
13	793126.13 783127.00 660363.00 723139.00	793126.14 783161.00 783160.00 723139.00		FLOAT RESERVOIR ASSY FLOAT VALVE ASSY RESERV. COVER RESERV. BRACKET	ASS. VASCHETTA C/GALLEGGIANTE ASSIEME GALLEGGIANTE ASSIEME COPERCHIO SUPPORTO VASCHETTA	ENS. RESERVOIR A FLOTTEUR ENS. VANNE A FLOTTEUR COUVERCLE SUPPORT RESERVOIR	BECKENEINHEIT MIT SCHWIMMER VENT SCHWIMMER VENT DECKEL BECKENHALTERUNG
14		420008.08 441001.02		SCREW WASHER	VITE RONDELLA	VIS RONDELLE	SCHRAUBE SCHEIBE
15		620241.00 620322.00		WASHER PRESS. CONTROL - FRESH WATER WATER PRESS. CONTROL - SEA WATER	PRESSOSTATO ACQUA - ACQUA DOLCE PRESSOSTATO ACQUA - ACQUA SALATA	PRESSOSTA D'EAU EAU DOUCE PRESSOSTAT D'EAU - EAU DE MER	WASSER DRUCKSCHALET - SOSS WASSER WASSER DRUCKSCHALTER - SEE WASSER
16				WATER TUBE - INLET	TUBO ACQUA - ENTRATA	TUYAU D'ARRIVÉE - D'EAU	WASSEREINLAUFROHR
17				WATER TUBE - OUTLET	TUBO ACQUA - SCARICO	TUYAU EVAC. - D'EAU	WASSEAUFLAUFROHR
18	400085.03	650521.00 640076.09	650521.01 640076.10	REFRIG. GAS LINE CONNECTION GASKET SCREW	RACCORDO TUBAZ. REFR. GAS GUARNIZIONE VITE	RACC. TUYAUTERIE REFRIG. GAS JOINT VIS	GAS KALTEMITTEL LEITUNGSANSCHLUSS DICHTUNG SCHRAUBE
19	400085.01	400085.02		LIQUID REFRIG. LINE CONNECTION	RACCORDO TUBAZ. REFRIG. LIQUIDO	RACCORD TUYAUTERIE REFRIG. LIQUIDE	FLUSSIGE KALTEMITTEL LEITUNG ANSCHLUSS
				* Up to MAR 1 S.N. 2358 Up to MAR 2 S.N. 2386 Up to MAR 3 S.N. 2103	* Fino al MAR 1 N.S. 2058 Fino al MAR 2 N.S. 2086 Fino al MAR 3 N.S. 2103	* Jusqu'à MAR 1 N.S. 2058 Jusqu'à MAR 2 N.S. 2086 Jusqu'à MAR 3 N.S. 2103	* Bis MAR 1 S.N. 2058 Bis MAR 2 S.N. 2086 Bis MAR 3 S.N. 2103



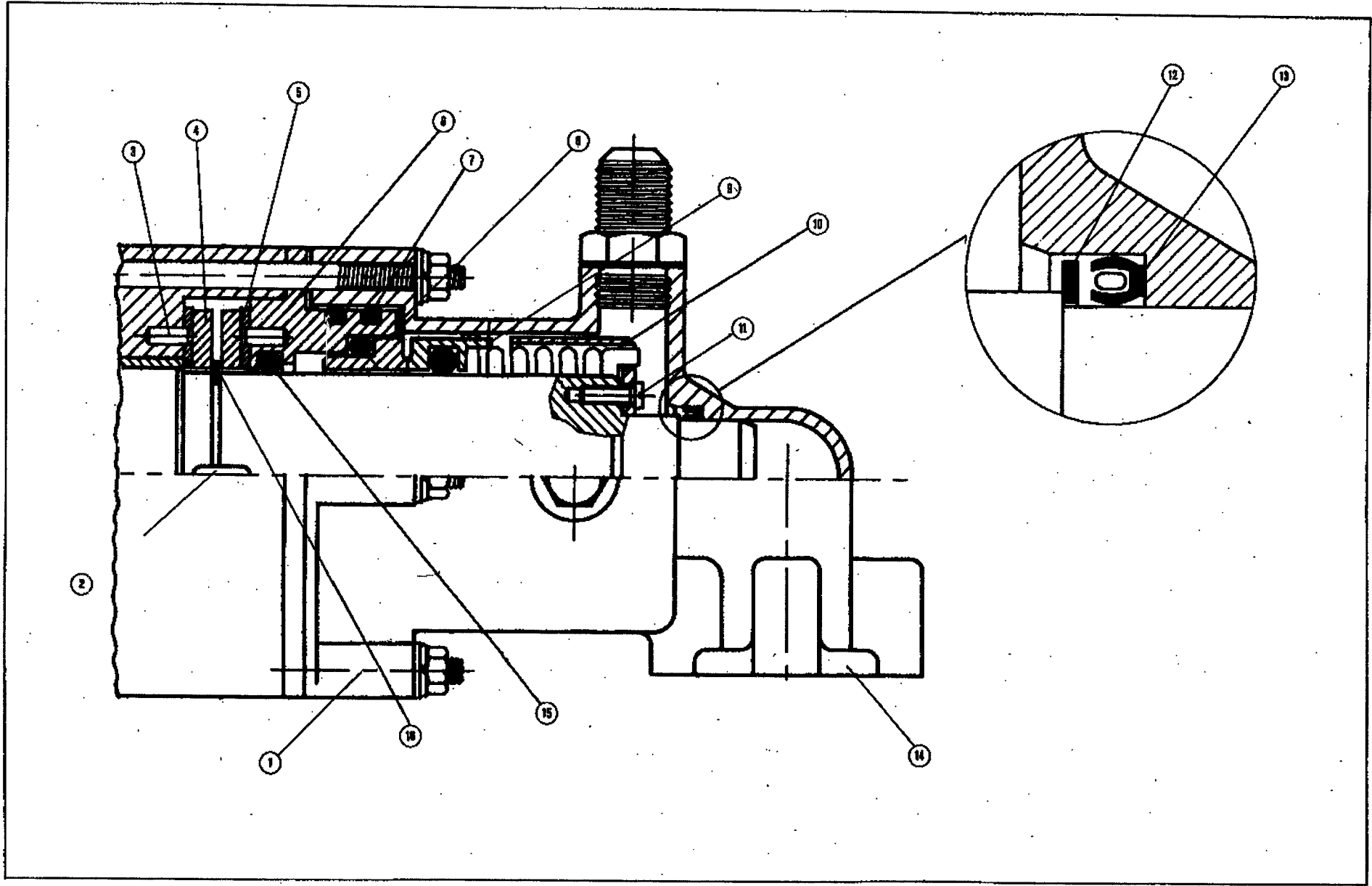
MAR 1-2-3 SPLIT - REAR VIEW - VISTA LATO POST. - VUE COTÈ ARRIERE - RUECHENANSICH

ITEM NO	PART NO			DESCRIPTION	DESCRIZIONE	DESIGNATION	BESCHREIBUNG
	MAR 1	MAR 2	MAR 3				
1	781376.01	781376.00		WATER TRAY	BACINELLA	GOUELLE D'EAU	TROPFFPFFANNE
2	723128.00* 723123.05	723131.00* 723123.04 420002.15		SCRAPING BLADE - SEA WATER SCRAPING BLADE BLADE MOUNTING SCREW	ASS. LAMA - ACQUA DI MARE ASS. LAMA VITE DI FISSAGGIO	ENS. COUPEAU - EAU DE MER ENS. COUPEAU VIS DE FIXATION	EISRADIERUNGSLINGE - SEE WASSER EISRADIERUNGSLINGE SCHRAUBE
3		722104.10 420034.00 430001.02 441001.05		PLATE BLADE SETTING SUB NUT WASHER	PIASTRINA PRIGIONIERI REGOL. LAMA DADO RONDELLA	PLAQUETTE VIS DE REGLAGE COUPEAU ECROU RONDELLE	PLATTE KLUNGER REGUL. SCHRAUBE MUTTER SCHEIBE
4	741101.03	7411101.02 650595.00		CHUTE BUTTON FOR CHUTE	SCIVOLO BOTTONE PER SCIVOLO	GLISSIERE BOUTON FIX. GLISSIERE	EISRUTSCHEN RUTSCHENKNOPFCHEN
5	724278.00	724278.01		DEFLECTOR	DEFLETTORE	DEFLECTEUR	EISDEFLEKTOR
6	724292.00	724275.00		SPOUT SWITCH BRACKET	SUPPORTO MICROINTERRUTTORE	SUPPORT MICRO GOULOTTE	MICRO SCHALTER ANLAGE
7	724276.01	724276.00 724277.01 650161.01		SPOUT SWITCH PRESS. PLATE PRESS. PLATE ROD SPRING	PIASTRINA PRESS. MICRO ASTINA PIASTRINA PRESSIONE MOLLA	PLAQUETTE DE PRESS. MICRO TIGE DE PLAQUETTE RESSORT	DRUCKPLATTE DRUCK PLATTE ACHSE FEDER
8		620386.00 420008.04 430001.04 441001.06		MICRO-SWITCH SCREW NUT WASHER	MICROINTERRUTTORE VITE DADO RONDELLA	MICROINTERRUPTEUR VIS ECROU RONDELLE	MICROSCHALTER SCHRAUBE MUTTER SCHEIBE
9	734597.04* 734597.12 741092.02	734597.05* 734597.04 420025.02 741092.03		GEAR REDUCER PULLEY GEAR REDUCER PULLEY SCREW KEY	PULEGGIA RIDUTTORE PULEGGIA RIDUTTORE VITE CHIAVETTA	POULIE REDUCTEUR POULIE REDUCTEUR VIS CLAVETTE	GETRIEBE ANTRIEBS-SCHEIBE GETRIEBE ANTRIEBS-SCHEIBE SCHRAUBE SCHLUSSE
10	650422.05 650422.05 650422.05	650422.05 650422.04 650422.16		DRIVE BELT - FRESH WATER DRIVE BELT - SEA WATER DRIVE BELT	CINGHIA TRASMISS. - ACQUA DOLCE CINGHIA TRASMISS. - ACQUA SALATA CINGHIA TRASMISS.	COURROIE - EAU DOUCE COURROIE - EAU DE MER COURROIE	KIELRIEMEN - SÜSS WASSER KIELRIEMEN SEE WASSER KIELRIEMEN
11	620377.00 620377.02	620377.01 620377.03		GEAR REDUCER GEAR REDUCER	RIDUTTORE RIDUTTORE	REDUCTEUR REDUCTEUR	GETRIEBE GETRIEBE
12	620326.05 620326.05 620326.05 620326.05 001010.01	620326.07* 620326.06* 620326.09 620326.07 001010.02	620326.06* 620326.06 620326.07 620326.06 001010.02	EXPANSION VALVE - FRESH WATER EXPANSION VALVE - SEA WATER EXPANSION VALVE - FRESH WATER EXPANSION VALVE - SEA WATER EXPANSION VALVE NOZZLE	VALV. DI ESPANSIONE - ACQUA DOLCE VALV. DI ESPANSIONE - ACQUA DI MARE VALV. DI ESPANSIONE - ACQUA DOLCE VALV. DI ESPANSIONE - ACQUA DI MARE UGELLO VALVOLA ESPANSIONE	DETENDEUR - EAU DOUCE DETENDEUR - EAU DE MER DETENDEUR - EAU DOUCE DETENDEUR - EAU DE MER GICLEUR - DETENDEUR	EXPANSION VENTIL - SÜSS WASSER EXPANSION VENTIL - SEE WASSER EXPANSION VENTIL - SÜSS WASSER EXPANSION VENTIL - SEE WASSER EXP. VENTILSDUESE
				* Up to MAR 1 S.N. 2058 Up to MAR 2 S.N. 2086 Up to MAR 3 S.N. 2103	* Fino al MAR 1 N.S. 2058 Fino al MAR 2 N.S. 2086 Fino al MAR 3 N.S. 2103	* Jusqu'à MAR 1 N.S. 2058 Jusqu'à MAR 2 N.S. 2086 Jusqu'à MAR 3 N.S. 2103	* Bis MAR 1 S.N. 2058 Bis MAR 2 S.N. 2086 Bis MAR 3 S.N. 2103



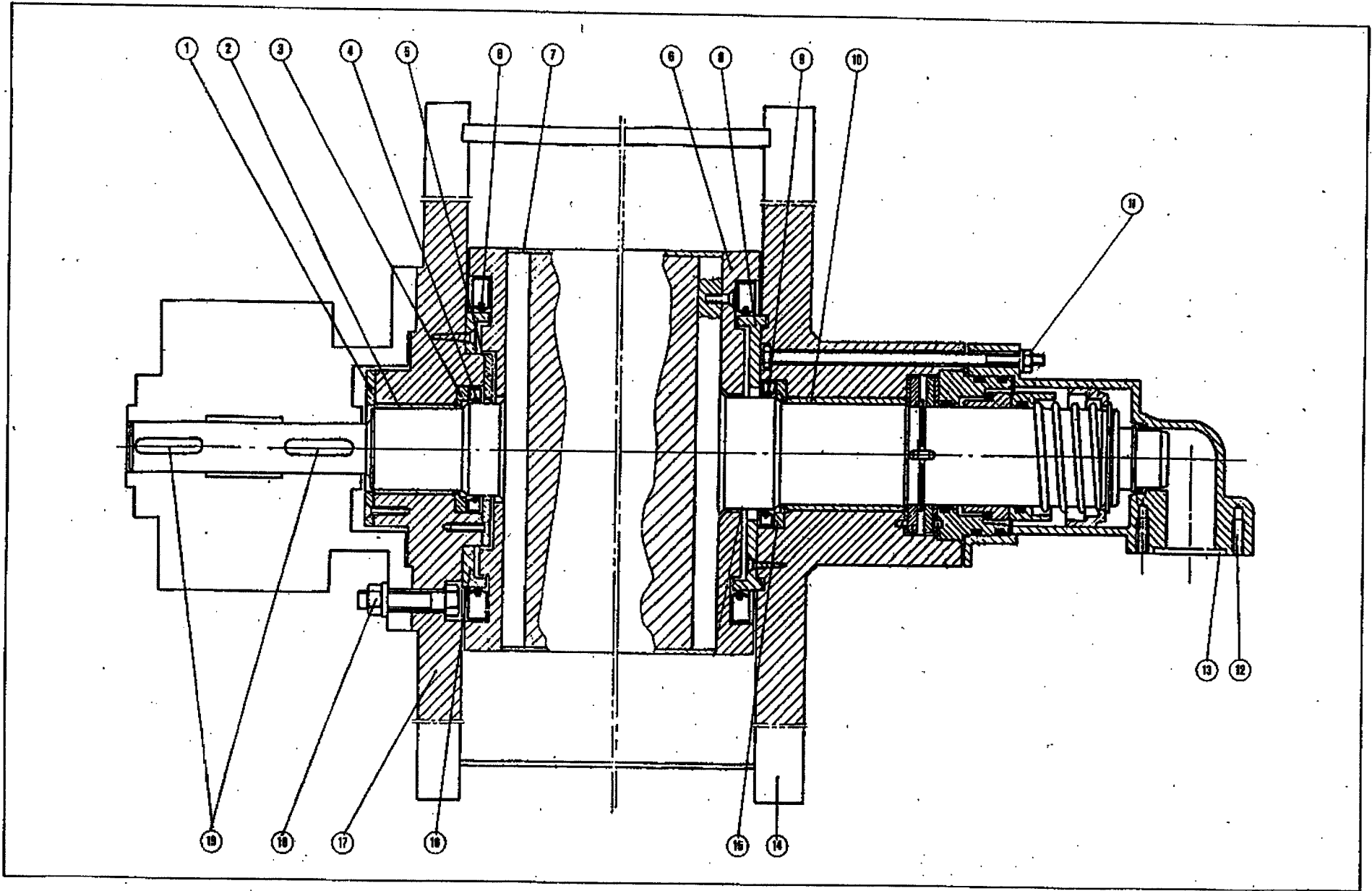
MAR 1*-2*-3* SPLIT - EVAPORATOR N GEAR REDUCER ASSY - ASSIEME EVAPORATORE/RIDUTTORE - ENS. EVAPORATEUR ET REDUCTEUR - VERDAMPFER UND GETRIEBE EINHEIT

ITEM NO	PART NO		DESCRIPTION	DESCRIZIONE	DÉSIGNATION	BESCHREIBUNG
	MAR 1	MAR 2 - MAR 3				
1	794271.00	794274.00	EVAP. N GEAR REDUCER ASSY	ASS. EVAP. E RIDUTTORE	ENS. EVAP. ET REDUCTEUR	VERDAMPFER UND GETRIEBE EINHEIT
2	741101.03	741101.04	PLEXIGLASS CHUTE	SCIVOLO IN PLASTICA	GLISSIERE	EISRUTSCHEN
3	650595.00		PLASTIC BUTTON	BOTTONE IN PLASTICA	BOUTON FIX GLISSIERE	RUTSCHENKNOPFCHEN
4	640041.18		O RING	GUARNIZIONE OR	JOINT TORIQUE	O RING
5	742111.00	742111.01	SPACER RIGHT	DISTANZIERS DX	ENTRETOISE	ENTFERNSTUECK
6	620377.02	620377.03	GEAR REDUCER	RIDUTTORE	REDUCTEUR	GETRIEBE
7	741092.02	741092.03	FIBER KEY	CHIAVETTA IN FIBRA	CLAVETTE	ENTRIEBS KELL
8	734597.12 420025.02	734597.04 420025.02	PULLEY SCREW	PULEGGIA VITE/GRANO	POULIE VIS	RIEMEN SCHRAUBE
9	793113.25		WATER PUMP	ASS. POMPA	ENS. POMPE A EAU	WASSER PUMPEN
10	781392.00		PUMP GUARD	CARTER POMPA	SUPPORT DU POMPE	PUMPENTRAGER
11	610169.05	610169.06	PLASTIC TUBE	TUBO	TUYAU	ROHR
12	784359.00	784359.01	WATER DISTRIB. TUBE	TUBO DI DISTRIBUZIONE	ROMPE A EAU	WASSERVERSORGUNGSRÖHR
13	783127.00	783161.00	FLOAT VALVE	ASS. GALLEGGIANTE	ENS. FLOTTEUR	SCHWIMMER
14	743128.02 460038.02 640100.00		FLOAT VALVE BRACKET METAL CLIP O RING	SUPPORTO GALLEGGIANTE MOLLETTA IN METALLO GUARNIZIONE OR	SUPPORT FLOTTEUR CLIP METALLIQUE JOINT TORIQUE	SCHWIMMERTRÄGER KLEMME O RING
15	742112.00	742112.01	FLANGE	FLANGIA	FLASQUE	FLANSCH
16	640107.00	640107.01	GASKET	GUARNIZIONE	JOINT	DICHTUNG
17	742110.00 650615.00	742110.01	EVAP. SPACER EVAP. INSULATION	DISTANZIERS EVAP. ISOLAMENTO EVAP.	ENTRETOISE ISOLATION	ENTFERNSTUECK ISOLIERUNG (VERDAMPFER)
18	640041.18	640041.18	O RING	GUARNIZIONE OR	JOINT TORIQUE	O RING
19	723123.05	723123.04	SCRAPING BLADE	LAMA SCAGLIATRICE	ENS. COUTEAU	EISRADIERUNGKlinge
			* MAR 1 from S.N. 2059 MAR 2 from S.N. 2087 MAR 3 from S.N. 2103	* MAR 1 dal N.S. 2059 MAR 2 dal N.S. 2087 MAR 3 dal N.S. 2103	* MAR 1 de N.S. 2059 MAR 2 de N.S. 2087 MAR 3 de N.S. 2103	* MAR 1 vom S.N. 2059 MAR 2 vom S.N. 2087 MAR 3 vom S.N. 2103



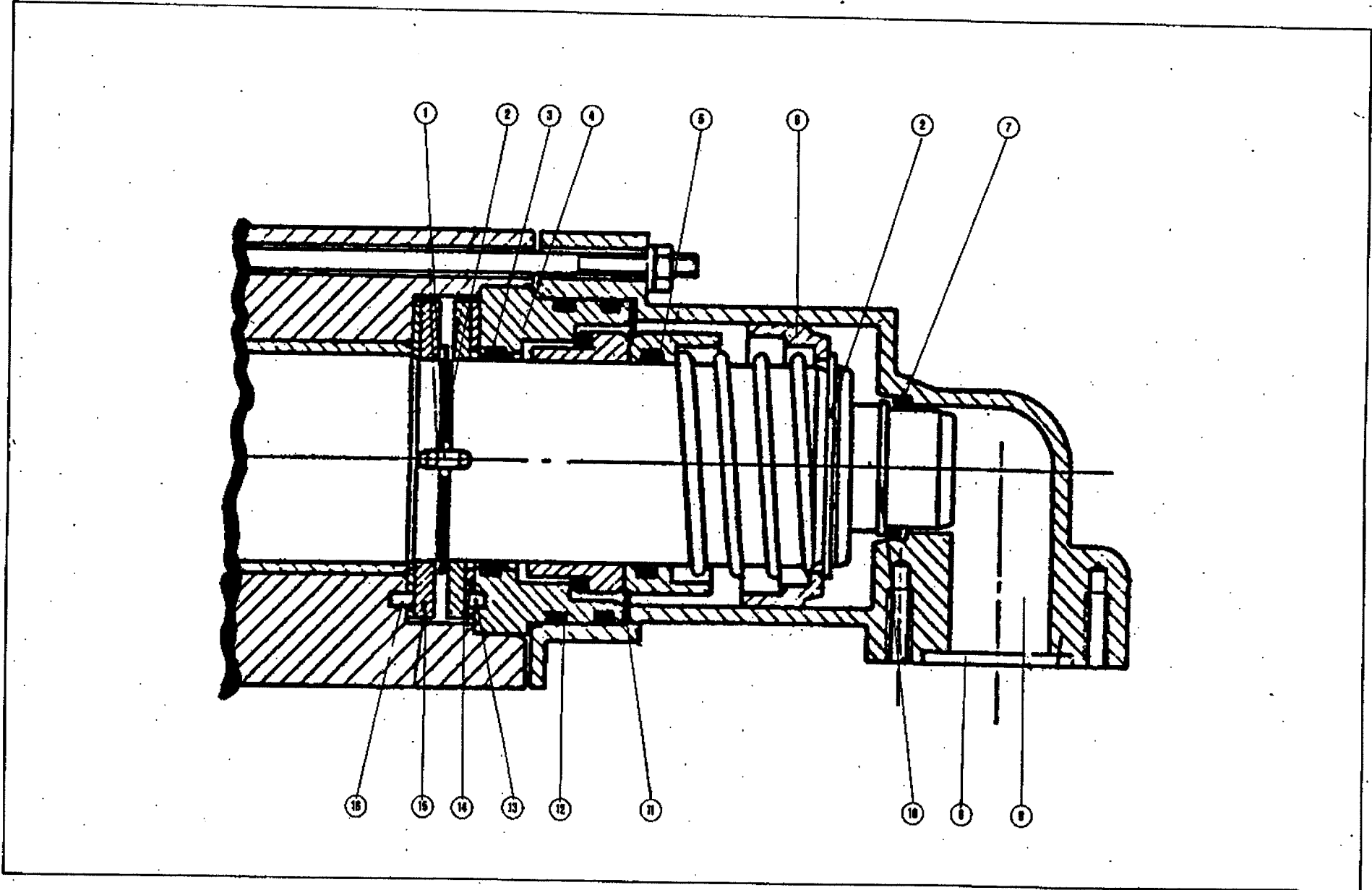
MAR 1*-2*-3* SPLIT - SEAL MECHANISM ASSY - ASSIEME ANELLO DI TENUTA - ENSAMBLE D'ETANCHEITE - GEFRIERMITTEL DICHTUNG

ITEM NO	PART NO			DESCRIPTION	DESCRIZIONE	DÉSIGNATION	BESCHREIBUNG
	MAR 1	MAR 2	MAR 3				
1		743127.01		REFRIGERANT MANIFOLD	COLLETTORE REFRIGERANTE	COLLECTEUR REFRIGERANT	EINSAMMLER
2		724260.00		KEY	CHIAVETTA	CLAVETTE	ANTRIEBESCHLUESSE
3		723133.00		PARALLEL PIN	SPINA CILINDRICA	GOUPILLE CYLINDRIQUE	STIFT
4		724257.00		SPACER	DISTANZIERE	ENTRETOISE	ENTFERNSTUECK
5		651061.00		WASHER	RONDELLA DI BASAMENTO	RONDELLE	SCHEIBE
6		724307.00 460039.03		GRAPHITIC RING HOUSING PARALLEL-PIN	ANELLO DI ALLOGGIAMENTO SPINA ELASTICA	ANNEAU LOGEMENT GOUPILLE CYLINDRIQUE	RUNG FUER GRAPHITIC DICHT. STIFT
7		640041.10		O RING	GUARNIZIONE OR	JOINT TORIQUE	O RING
8		640101.00		GASKET	GUARNIZIONE	JOINT	DICHTUNG
9		650525.01		SEAL MECHANISM	PREMISTOPPA	PRESSE ETOUPE	DICHTUNG
10		724308.00		SPACER RING	ANELLO DISTANZIERE	BAGUE ENTRETOISE	ENTFERNENSTUECK
11		420014.08		SCREW	VITE	VIS	SCHRAUBE
12		724256.01		WASHER	RONDELLA	RONDELLE	SCHEIBE
13		640096.00		GASKET	GUARNIZIONE	JOINT	DICHTUNG
14		640076.09		GASKET	GUARNIZIONE	JOINT	DICHTUNG
15		640041.13		O RING	GUARNIZIONE OR	JOINT TORIQUE	O RING
16		460000.02		CLIP RING	ANELLO SEEGER	CLIP	CIRCLIP RING
*		001026.05		SEAL MECHANISM KIT	KIT TENUTA MECCANICA	KIT GARNITURE D'ETANCHEITE	KIT GEFRIERMITTEL DICHTUNG
				* MAR 1 from S.N. 2059 MAR 2 from S.N. 2087 MAR 3 from S.N. 2103	* MAR 1 dal N.S. 2059 MAR 2 dal N.S. 2087 MAR 3 dal N.S. 2103	* MAR 1 de N.S. 2059 MAR 2 de N.S. 2087 MAR 3 de N.S. 2103	* MAR 1 vom S.N. 2059 MAR 2 vom S.N. 2087 MAR 3 vom S.N. 2103



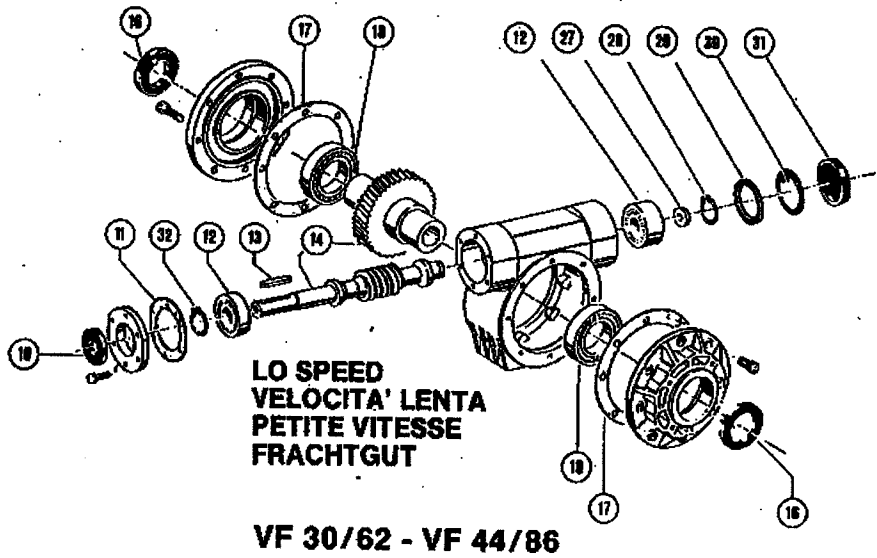
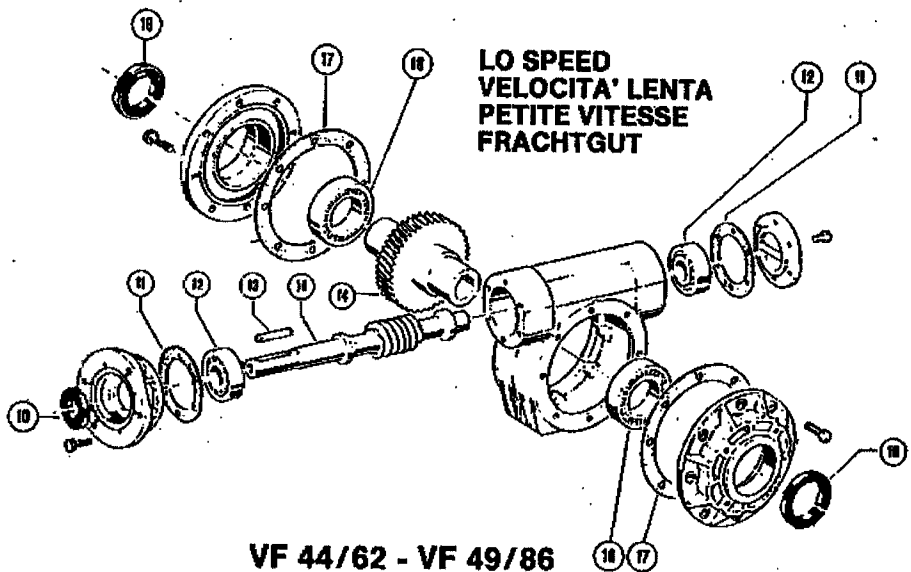
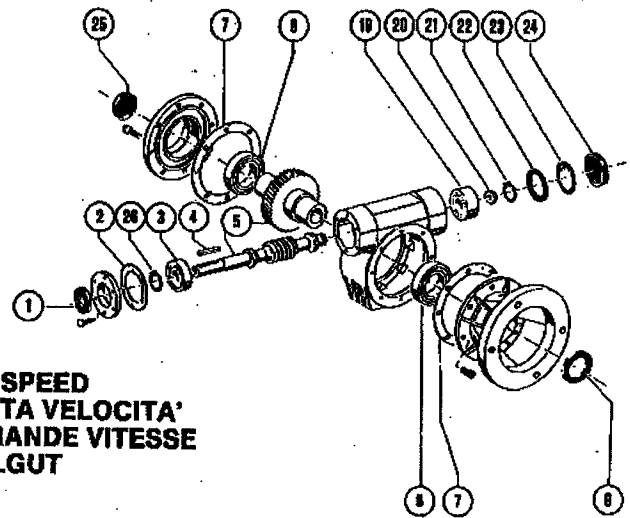
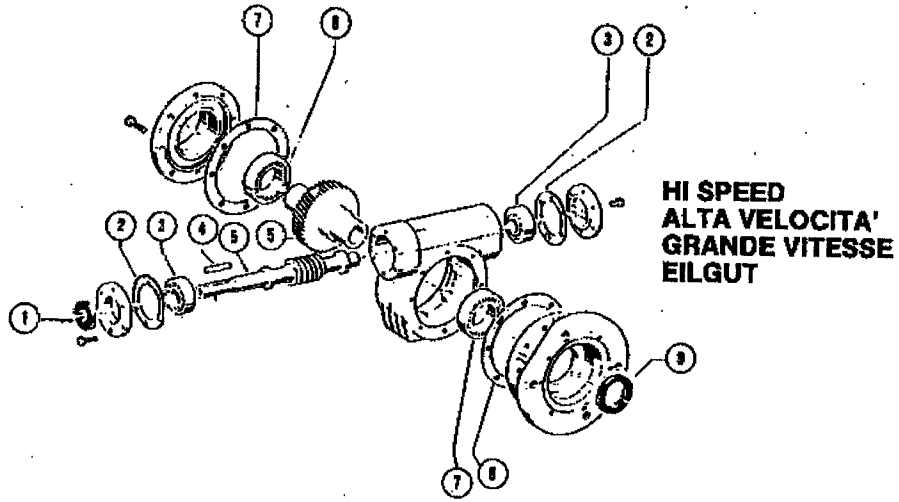
MAR 1*-2*-3* SPLIT - EVAPORATOR ASSY - ASSIEME EVAPORATORE - ENS. EVAPORATEUR - KOMPLET VERDAMPFER

ITEM NO.	PART NO			DESCRIPTION	DESCRIZIONE	DÉSIGNATION	BESCHREIBUNG
	MAR 1	MAR 2	MAR 3				
1	724254.01	724254.02		FLANGE	FLANGIA	FLASQUE	FLANSCH
2	651060.00	651060.01		BUSHING	BRONZINA	BAGUE	SHAFT LAGER
3	724255.01	724255.00		SPACER	DISTANZIERE	ENTRETOISE	ENTFERNSTUECK
4	640097.03	640097.04		RING GASKET W/SPRING	GUARNIZIONE CON MOLLA	JOINT PAULSTRA	DICHTUNG RING & FEDER
5	724254.04	724254.03		FLANGE - GEAR SIDE	FLANGIA - LATO RIDUTTORE	FLASQUE - COTÉ REDUCTEUR	FLANSCH RECHTENSEITE
6	640097.05	640097.06		RING GASKET W/SPRING	GUARNIZIONE CON MOLLA	JOINT PAULSTRA	DICHTUNG RING & FEDER
7	784353.00	784353.01		EVAPORATORE DRUM ASSY	ASSIEME TAMBURO EVAPORATORE	ENS. TAMBOUR EVAPORATEUR	KOMPLETT VERDAMPFER 2YL
8	724253.00	724266.00		FLANGE - REFRIG. SIDE	FLANGIA - LATO REFRIGERANTE	FLASQUE - COTÉ REFRIGER.	FLANSCH - LINKENSEITE
9		640097.04		RING GASKET W/SPRING	GUARNIZIONE CON MOLLA	JOINT PAULSTRA	DICHTUNG RING & FEDER
10		651060.01		BUSHING	BRONZINA	BAGUE	SHAFT LAGER
11		430001.02 440015.05		NUT WASHER	DADO RONDELLA	ECROU RONDELLE	MUTTER SCHEIBE
12		420285.00 650521.00		ALLEN SCREW MANIFOLD FITTING	VITE TESTA INCASS. RACCORDO COLLETT.	VIS ALLEN RACCORD COLLECT.	ALLEN SCHRAUBE EINSAMMLER ANSCHLUSS
13		640076.09		GASKET	GUARNIZIONE	JOINT	DICHTUNG
14	742097.00	742094.00		BASIN SIDE - REFRIGERANT SIDE	FIANCO VASCA - LATO REFRIGERANTE	COTÉ REFRIGERANT DE CUVE	LINKE WASSERBAD SEITE
15		724255.00		SPACER	DISTANZIERE	ENTRETOISE	ENTFERNSTUECK
16	724253.01	724266.01		FLANGE - GEAR SIDE	FLANGIA - LATO RIDUTTORE	FLASQUE - COTÉ REDUCTEUR	FLANSCH RECHTENSEITE
17	742098.00	742095.00		BASIN SIDE - GEAR SIDE	FIANCO VASCA - LATO RIDUTTORE	COTÉ REDUCTEUR DE CUVE	RECHTEN WASSERBAD SEITE
18		430001.05 441001.04		NUT WASHER	DADO RONDELLA	ECROU RONDELLE	MUTTER SCHEIBE
19	741092.02	741092.00		FIBER KEY	CHIAVETTA	CLAVETTE	ENTRIEBS KEIL
				* MAR 1 from S.N. 2001 to S.N. 2058 MAR 2 from S.N. 2001 to S.N. 2086 MAR 3 from S.N. 2001 to S.N. 2102	* MAR 1 dal N.S. 2001 al N.S. 2058 MAR 2 dal N.S. 2001 al N.S. 2086 MAR 3 dal N.S. 2001 al N.S. 2102	* MAR 1 de N.S. 2001 a N.S. 2058 MAR 2 de N.S. 2001 a N.S. 2086 MAR 3 de N.S. 2001 a N.S. 2102	* MAR 1 vom S.N. 2001 bis S.N. 2058 MAR 2 vom S.N. 2001 bis S.N. 2086 MAR 3 vom S.N. 2001 bis S.N. 2102



MAR 1*-2*-3*SPLIT - SEAL MECHANISM ASSY - ASSIEME ANELLO DI TENUTA - ENSEMBLE GARNITURE D'ETANCHEITE - GEFRIERMITTEL DICHTUNG

ITEM NO.	PART NO			DESCRIPTION	DESCRIZIONE	DESIGNATION	BESCHREIBUNG
	MAR 1	MAR 2	MAR 3				
1		724260.00		KEY	CHIAVETTA	CLAVETTE	ANTRIEBESCHLUESSE
2		460000.02		CLIP RING	ANELLO SEEGER	CLIP	CLIP RING
3		640041.13		O RING	GUARNIZIONE OR	JOINT TORIQUE	O RING
4		724261.00		SPACER	DISTANZIERE	ENTRETOISE	ENTFERNSTUECK
5		650525.00		SEAL MECHANISM	PREMISTOPPA	PRESSE ETOUPE	DICHTUNG
6		723118.00		RING FOR SEAL MECHANISM	ANELLO PER PREMISTOPPA	ANNEAU POUR PRESSE ETOUPE	DICHTUNGRING
7		640096.00		RING GASKET W/SPRING	GUARNIZIONE CON MOLLA	JOINT PAULSTRA	DICHTUNGRING & FEDER
8		743127.01		REFRIGERANT MANIFOLD	COLLETTORE REFRIGERANTE	COLLECTEUR REFRIGERANT	EINSAMMLER
9		640076.09		GASKET	GUARNIZIONE	JOINT	DICHTUNG
10		724256.00		WASHER	RONDELLA	RONDELLE	SCHEIBE
11		640101.00		GASKET	GUARNIZIONE	JOINT	DICHTUNG
12		640041.10		O RING	GUARNIZIONE OR	JOINT TORIQUE	O RING
13		460039.03		SPRING PIN	SPINA ELASTICA	GOUPILLE ELASTIQUE	ELASTISCHERSTIFT
14		651081.00		WASHER	RALLA	RONDELLE	SCHEIBE
15		724257.00		SPACER	DISTANZIERE	ENTRETOISE	ENTFERNSTUECK
16		723133.00		PARALLEL PIN	SPINA CILINDRICA	GOUPILLE CYLINDRIQUE	STIFT
*		001026.03		KIT SEAL MECHANISM	KIT ANELLO DI TENUTA	KIT GARNITURE D'ETANCHEITE	KIT GEFRIERMITTEL DICHTUNG
				* MAR 1 from S.N. 2001 to S.N. 2058 MAR 2 from S.N. 2001 to S.N. 2086 MAR 3 from S.N. 2001 to S.N. 2102	* MAR 1 dal N.S. 2001 al N.S. 2058 MAR 2 dal N.S. 2001 al N.S. 2086 MAR 3 dal N.S. 2001 al N.S. 2102	* MAR 1 de N.S. 2001 a N.S. 2058 MAR 2 de N.S. 2001 a N.S. 2086 MAR 3 de N.S. 2001 a N.S. 2102	* MAR 1 vom S.N. 2001 bis S.N. 2058 MAR 2 vom S.N. 2001 bis S.N. 2086 MAR 3 vom S.N. 2001 bis S.N. 2102



MAR 1-2-3 SPLIT - GEAR REDUCER - RIDUTTORE - RÉDUCTEUR - GETRIEBE

ITEM NO	PART NO				DESCRIPTION	DESCRIZIONE	DÉSIGNATION	BESCHREIBUNG
	MAR 1 VF 44/82	MAR 1 VF 30/82	MAR 2 - MAR 3 VF 49/86	MAR 3 VF 44/86				
1	001031.10	001035.10	001033.10	001031.21	OIL SEAL	PARAOLIO	JOINT D'ÉTANCHÉITÉ	SIMMERUNG
2	001031.07	—	001033.07	—	GASKET	GUARNIZIONE	JOINT	DICHTUNG
3	001031.08	001035.08	001033.08	001038.08	BEARING	CUSCINETTO	ROULEMENT	KUGELLAGER
4	001031.12	001035.12	001033.12	001031.12	KEY	CHIAVETTA	CLAVETTE	EINLEGEKEIT
5	001031.02	001035.02	001033.02	001031.23	WORMSHAFT & WHEEL	VITE SENZA FINE E INGRANAGGIO	VIS SANS FIN & ENGRANAGE	SCHNECKE U. ZAHNRAD
7	001031.11	001035.11	001033.11	001031.11	GASKET	GUARNIZIONE	JOINT	DICHTUNG
8	001031.06	001035.06	001033.06	001033.06	BEARING	CUSCINETTO	ROULEMENT	KUGELLAGER
9	001031.09	001035.09	001029.11	001031.09	OIL SEAL	PARAOLIO	JOINT D'ÉTANCHÉITÉ	SIMMERRING
10	001029.10	001029.21	001032.10	001032.10	OIL SEAL	PARAOLIO	JOINT D'ÉTANCHÉITÉ	SIMMEREING
11	001029.07	001029.07	001032.07	001032.07	GASKET	GUARNIZIONE	JOINT	DICHTUNG
12	001029.08	001029.13	001032.08	001032.08	BEARING	CUSCINETTO	ROULEMENT	KUGELLAGER
13	001029.12	001029.12	001032.12	001032.12	KEY	CHIAVETTA	CLAVETTE	EINLAGEKEIT
14	001029.02	001029.23	001032.02	001032.23	WORMSHAFT & WHEEL	VITE SENZA FINE E INGRANAGGIO	VIS SANS FIN & ENGRANAGE	SCHNECKE U. ZAHNRAD
16	001029.11	001029.11	001032.11	001032.11	OIL SEAL	PARAOLIO	JOINT D'ÉTANCHÉITÉ	SIMMERRING
17	001029.06	001029.06	001032.06	001032.06	GASKET	GUARNIZIONE	JOINT	DICHTUNG
18	001029.09	001029.09	001032.09	001032.09	BEARING	CUSCINETTO	ROULEMENT	KUGELLAGER
19	001031.08	001035.08	001033.08	001031.13	BEARING	CUSCINETTO	ROULEMENT	KUGELLAGER
20	—	001035.14	—	001031.14	SPACER	RALLA	ENTRETOISE	LAGERSCHALE
21	—	001035.15	—	001031.15	CIRCLIP	SEEGER	CIRCLIP	SEEGER
22	—	001035.16	—	001031.16	SPACER	RALLA	ENTRETOISE	LAGERSCHALE
23	—	001035.17	—	001031.17	CIRCLIP	SEEGER	CIRCLIP	SEEGER
24	—	001035.18	—	001031.18	RUBBER CAP	CAPPELOTTO IN GOMMA	CAPOUCHON EN CAOUTCHOUC	GUMMIDECKEL
25	—	001035.19	—	001031.19	RUBBER CAP	CAPPELOTTO IN GOMMA	CAPOUCHON EN CAOUTCHOUC	GUMMIDECKEL
26	—	001035.20	—	001031.20	CIRCLIP	SEEGER	CIRCLIP	SEEGER
27	—	001029.14	—	001032.14	SPACER	RALLA	ENTRETOISE	LAGERSCHALE
28	—	001029.15	—	001032.15	CIRCLIP	SEEGER	CIRCLIP	SEEGER
29	—	001029.16	—	001032.16	SPACER	RALLA	ENTRETOISE	LAGERSCHALE
30	—	001029.17	—	001032.17	CIRCLIP	SEEGER	CIRCLIP	SEEGER
31	—	001029.18	—	001032.18	RUBBER CAP	CAPPELOTTO IN GOMMA	CAPOUCHON EN CAOUTCHOUC	GUMMIDECKEL
32	—	001029.20	—	001032.20	CIRCLIP	SEEGER	CIRCLIP	SEEGER