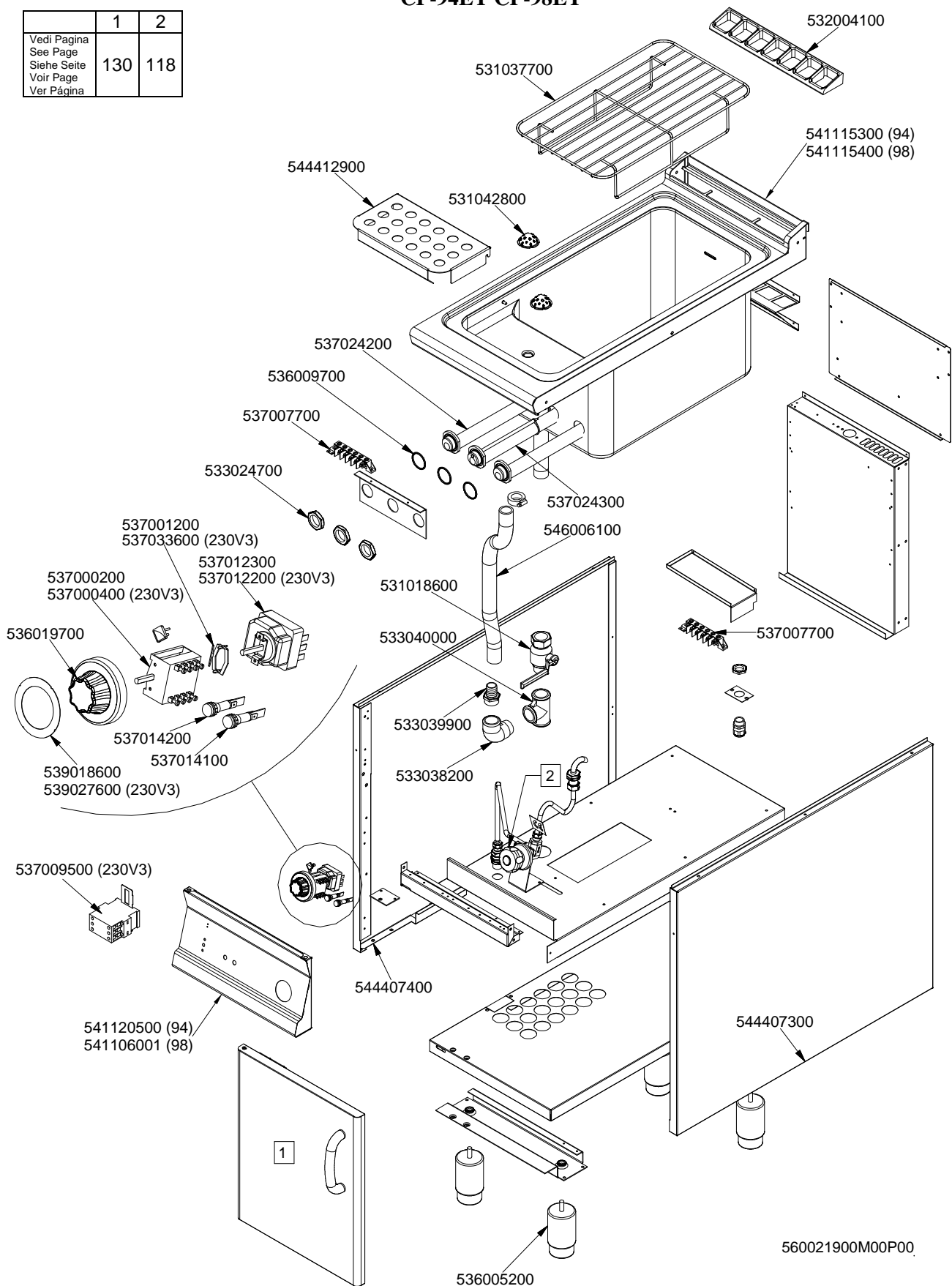


IPERLOTUS 90

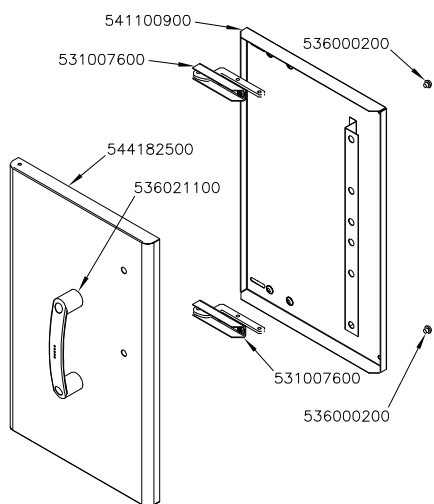
ELETTRICO / ELECTRIC / ELEKTRO / ELECTRIQUE

CP-94ET CP-98ET

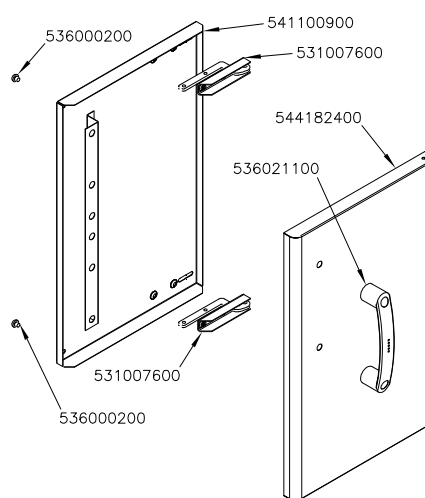
	1	2
Vedi Pagina See Page Siehe Seite Voir Page Ver Página	130	118



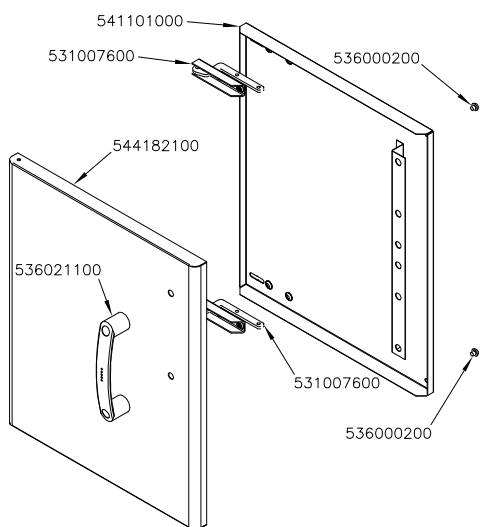
PORTE / DOORS / FLÜGELÜREN / PORTES N°≤0601



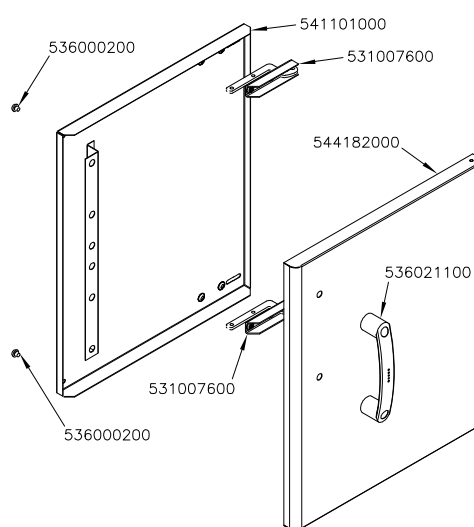
P-73/93 SX



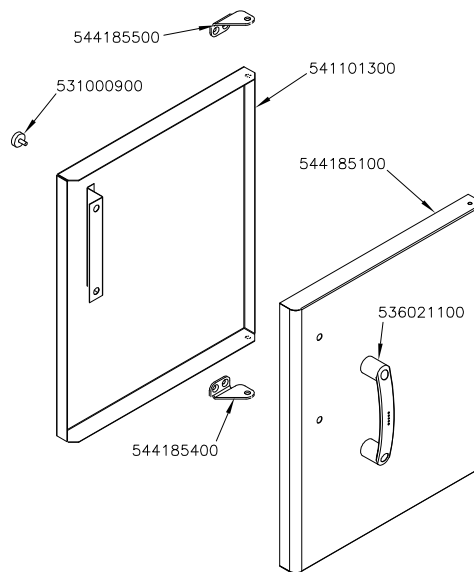
P-73/93 DX



P-74/94 SX



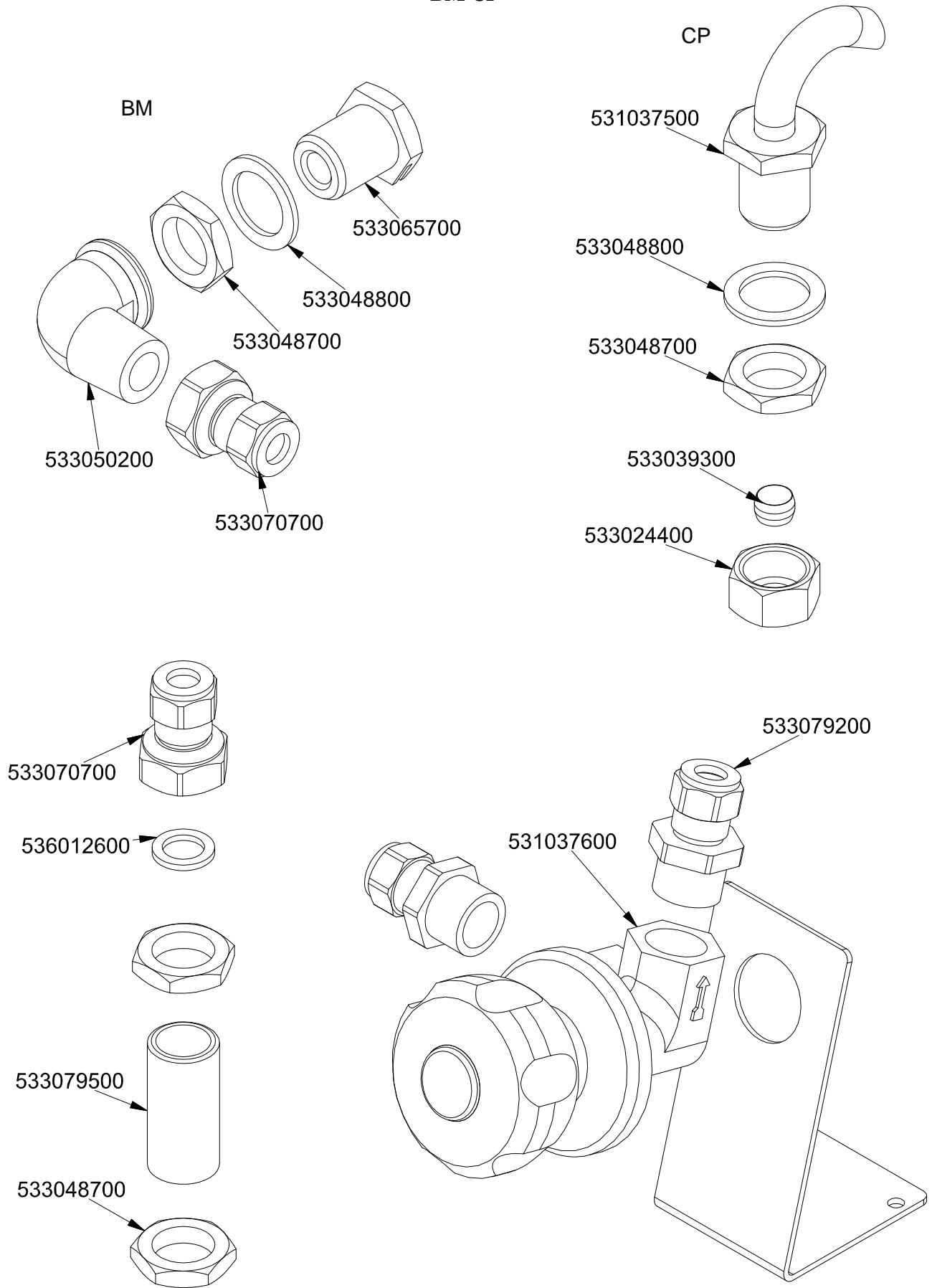
P-74/94 DX



P-74/94 DX CF

560012800M00P00

BM CP



Page	Pos	Code	Description
001		544407300	RIGHT SIDE PANEL 90 LINE
001		536009700	GASKET O-RING SILIC.70 RED
001		537007700	TERMINAL BLOCK THREEPHASE 40A
001		537024300	HEATING ELEMENT 3500W
001		537024200	HEATING ELEMENT 3500W
001		533024700	HEXAGONAL NUT 1G ZN
001		544412900	
001		541120500	FRONT PANEL BM/CP-74/94E
001		541115300	UPPER PLATE CP-94E
001		531042800	SEMISPHERE FILTER
001		531037700	BASKET SUPPORT GRID CP 90
001		532004100	FLUE GRID L=370 70LINE (RAF)
001		533038200	1" G M-F ELBOW FITTING
001		533039900	PIPE HOLDER 1" G M D.24
001		531018600	BALL VALVE 1"G M-F CPM-62G
001		533040000	1"G F-F-F "T" FITTING
001		546006100	RUBBER TUBE §25INT.*§33EXT.*L=560
001		544407400	LEFT SIDE PANEL 70 LINE
001		536005200	INOX LEG 2" 120-180 M10
001		537001200	FIXING BRACKET FOR THERMOSTAT/COMM.
001		537014200	GREEN WARNING LIGHT 250V
001		537014100	WHITE WARNING LIGHT 250V
001		539018600	ADHESIVE GRADUATED DISC FOR KNOB
001		536019700	BLACK KNOB §70 PIN §6*5
001		537000200	COMMUTATOR 1 POS. 3PHASE S.49 16A
001		537012300	THERMOSTAT 30/110°C THREEPHASE
001		539027600	ADHESIVE GRADUATED DISC30-110CPERM R
001		537012200	THERMOSTAT 30/100°C SINGLEPHASE
001		537033600	FIXING BRACKET FOR THERMOSTAT/COMM.
001		537000400	COMMUTATOR 1POS.SINGLEPHASE S49 16A
001		537009500	REMOTE CONTROL SWITCH 3RT102 35A 23
002		541100900	INNER DOOR 73
002		531007600	DOOR HINGE
002		536000200	D.12 H.4 BUMPER
002		544182500	RIGHT DOOR 73
002		536021100	BLACK HANDLE 70LINE + 2RED POINTS
002		531007800	
002		544182400	RIGHT DOOR 73
002		541101000	INNER DOOR 74
002		544182100	LEFT DOOR 74
002		544182000	RIGHT DOOR 74
002		544185500	UPPER DOOR HINGE FOR COMPARTME CF70
002		531000900	MAGNET §22 KG.3 WITH DISK
002		541101300	RIGHT INNER DOOR 74 CF
002		544185100	RIGHT DOOR 74
002		544185400	LOWER DOOR HINGE FOR COMPARTME CF70
003		531037500	
003		533065700	FITTING FOR WATER INPUT 1/2G
003		533048800	GASKET §30*§21*2 FIBRE
003		533048700	NUT 1/2G ZN
003		533039300	BICONE §10

Page	Pos	Code	Description
003		533024400	HEXAGONAL NUT 1/2G TUBE D.10
003		533050200	90° 1/2 M/F ELBOW FITTING
003		533070700	FITTING 1/2G TUBE D10 + O-RING
003		536012600	GASKET §12,5*§18,5*2 1/2G
003		531037600	TAP FOR WATER LOADING 1/2"GF CP 90
003		533079200	FITTING 1/2G F.TUBE D10 + O-RING
003		533079500	