



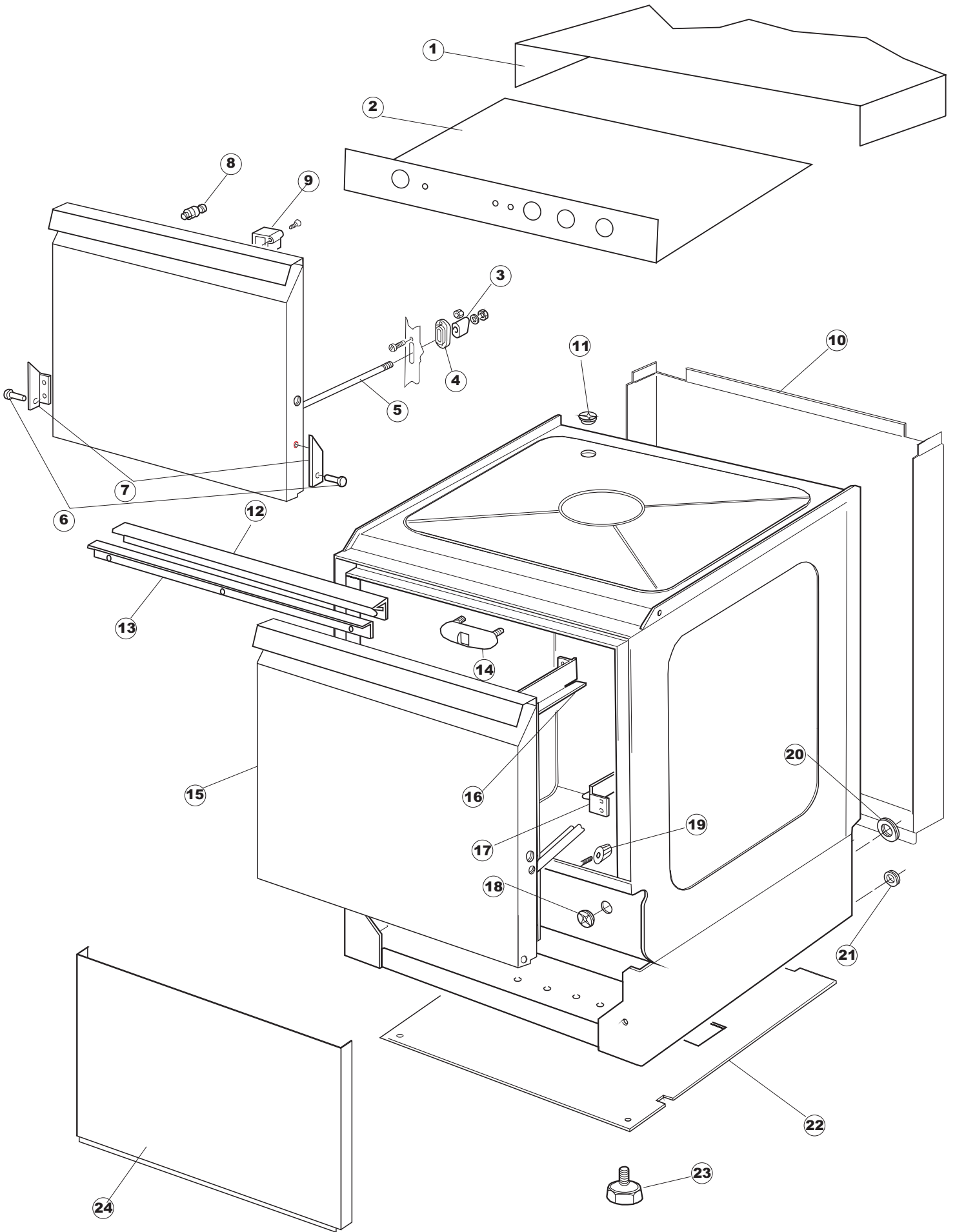
**SPARE PARTS CATALOGUE
ERSATZTEILKATALOG
CATALOGUE PIECES DETACHEES
CATALOGO PARTI RICAMBIO
CATALOGO DE PIEZAS DE RECAMBIO
CATALOGO PEÇAS DE REPOSIÇÃO**

LS 500

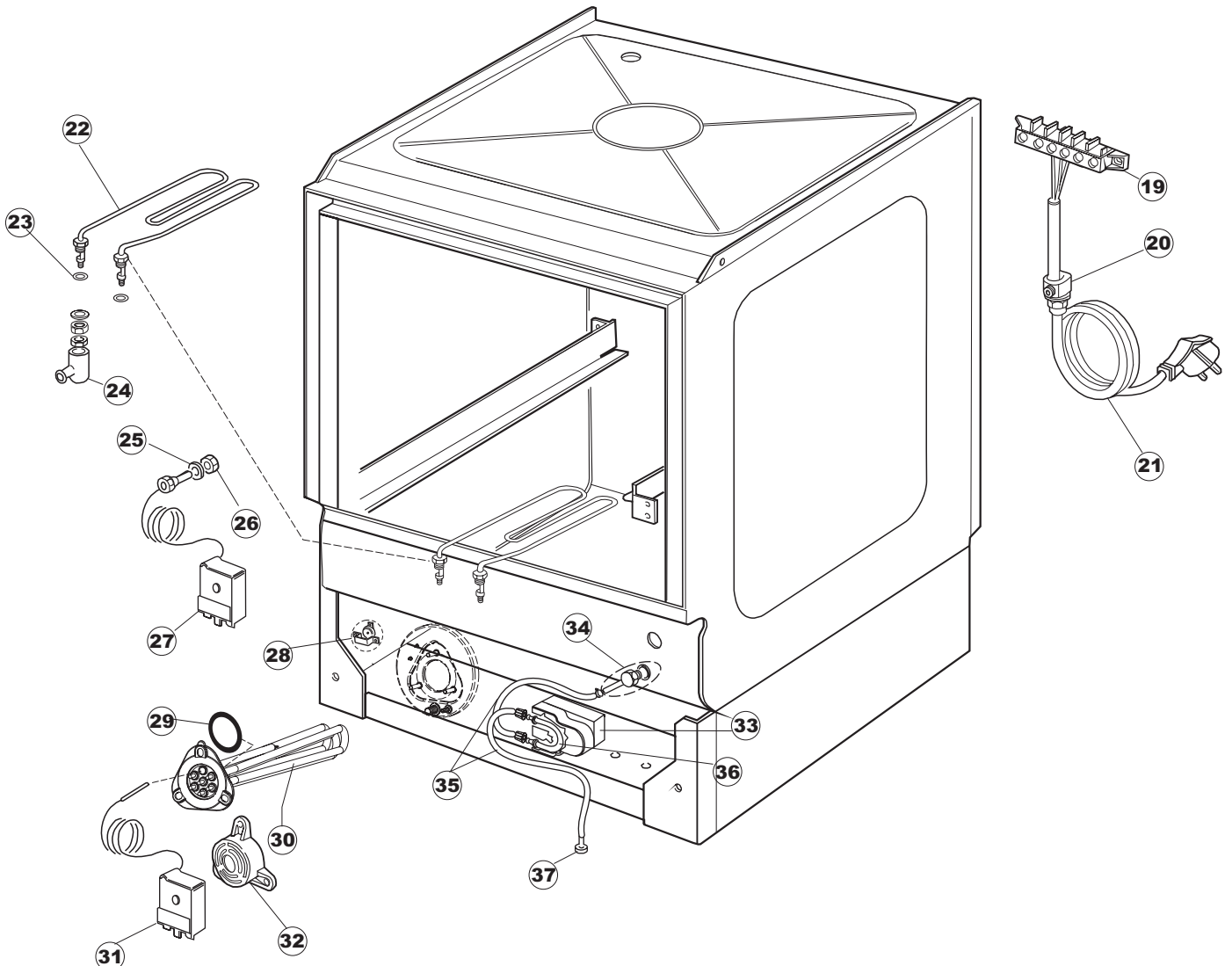
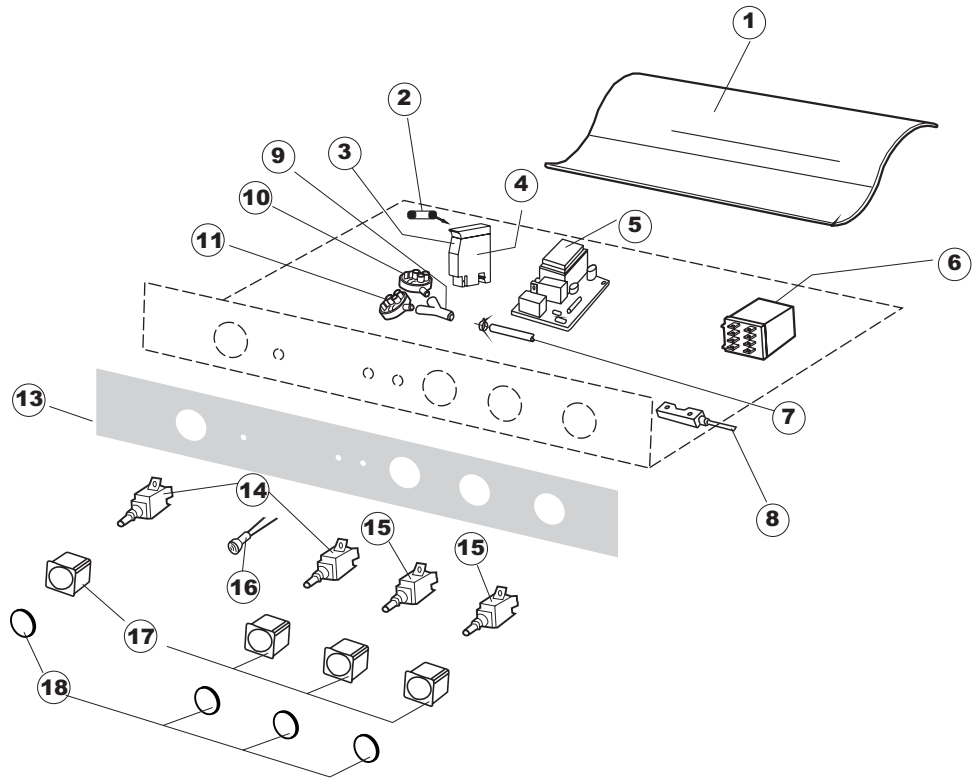
LS 501

26-03-2012

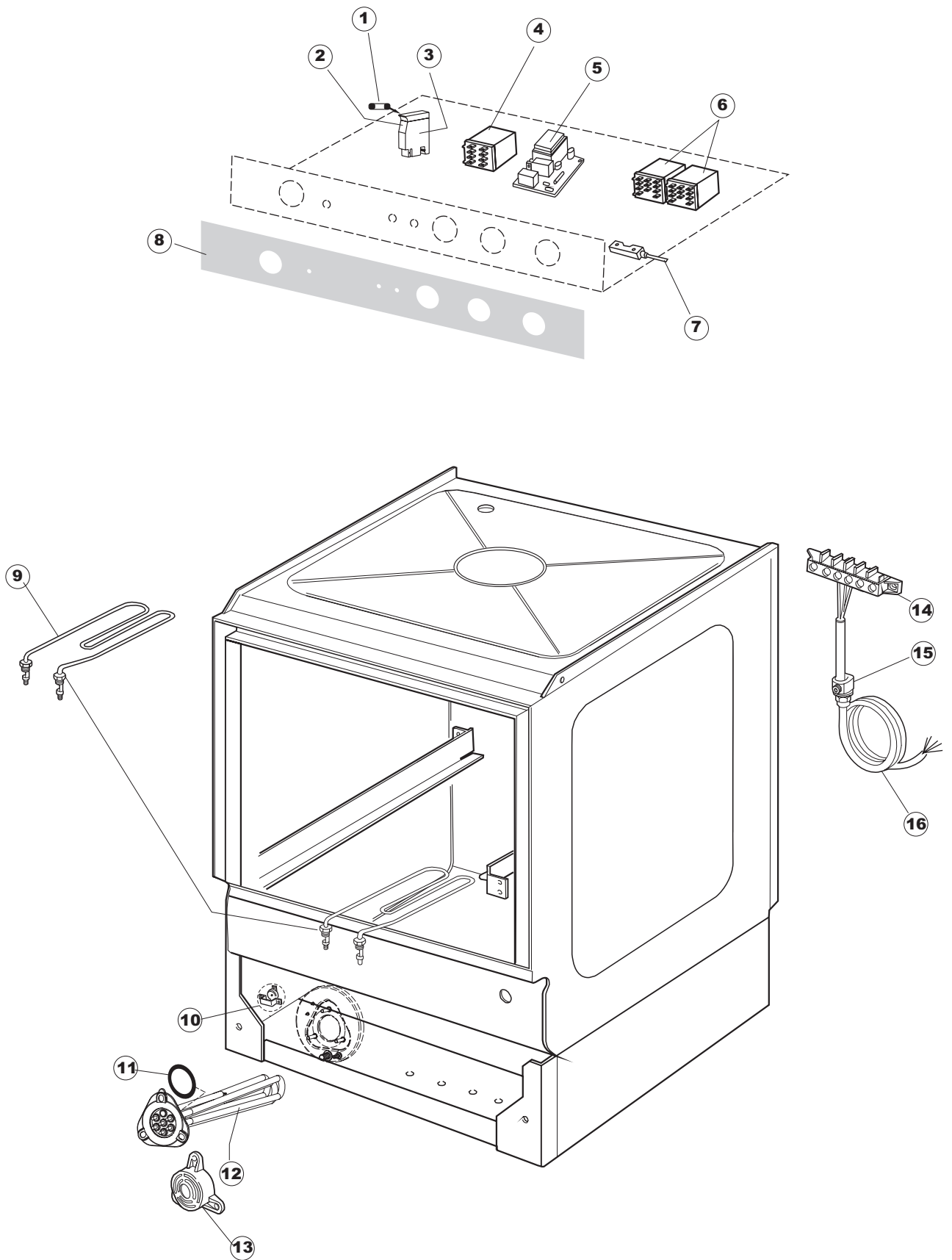
1

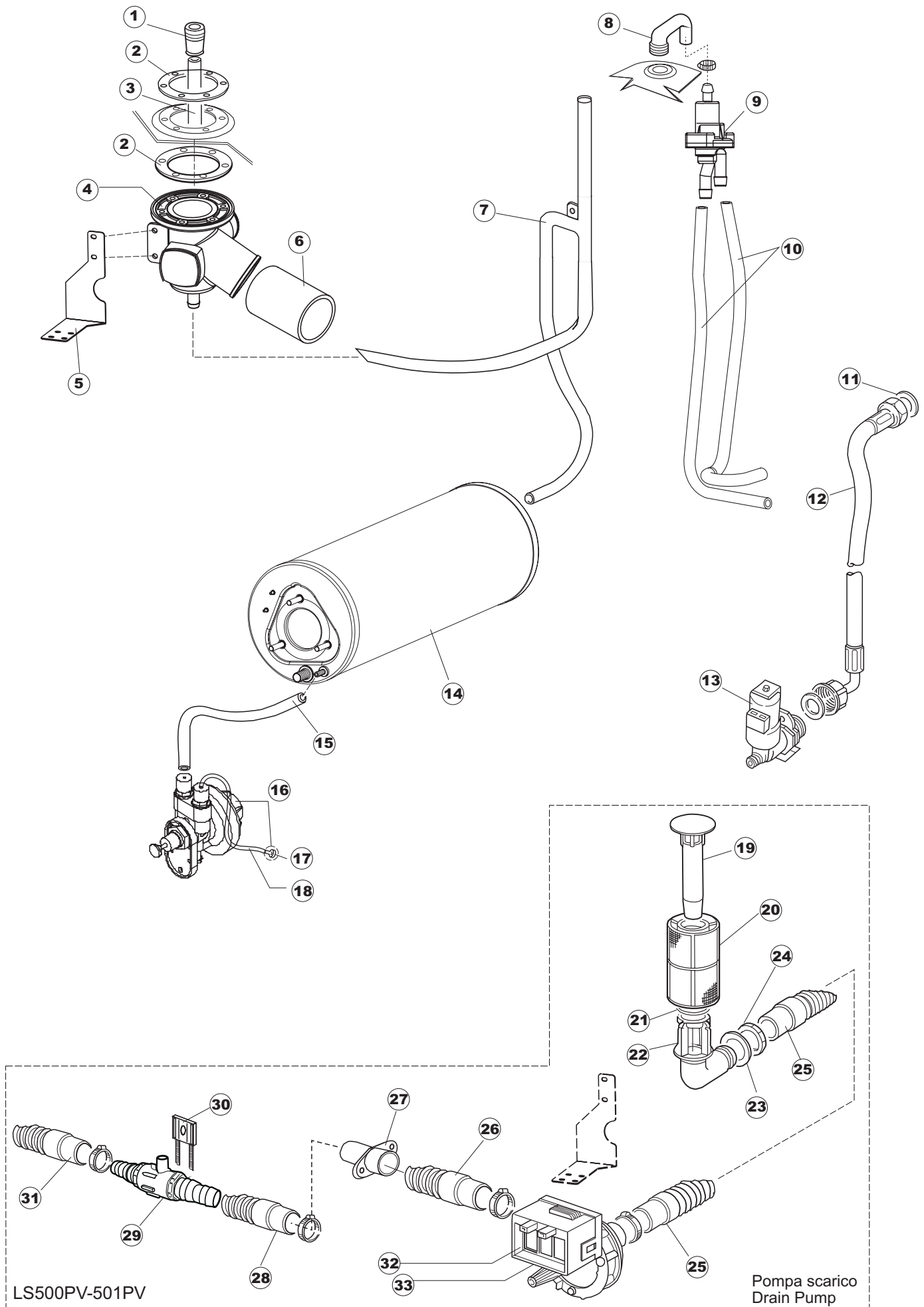


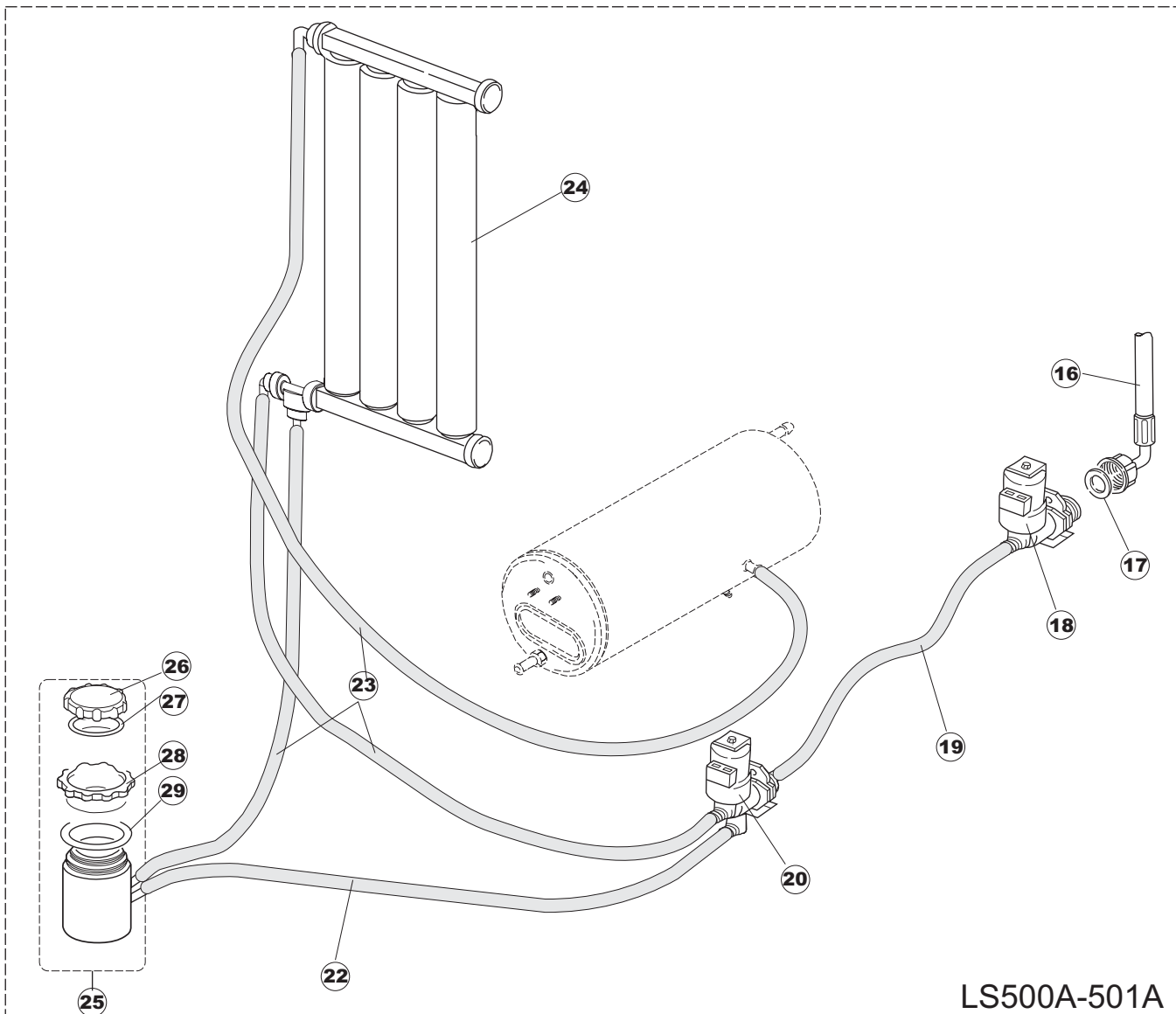
2



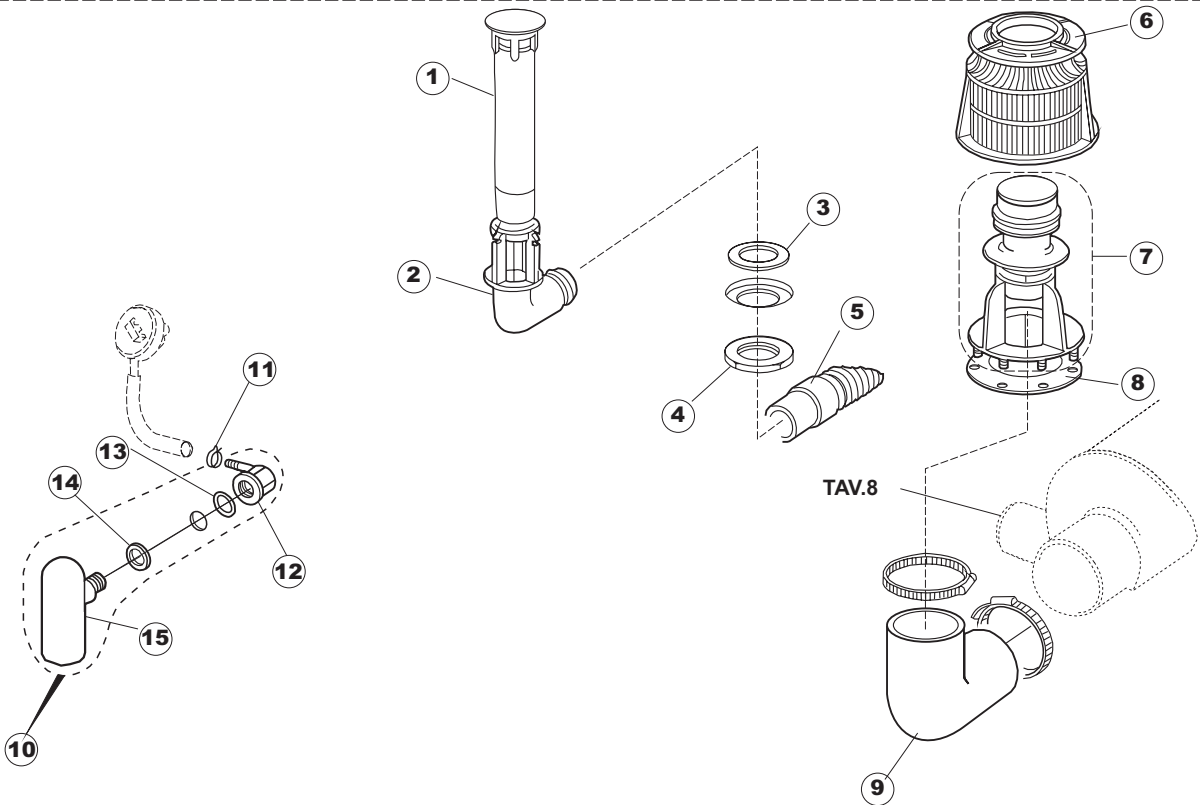
3

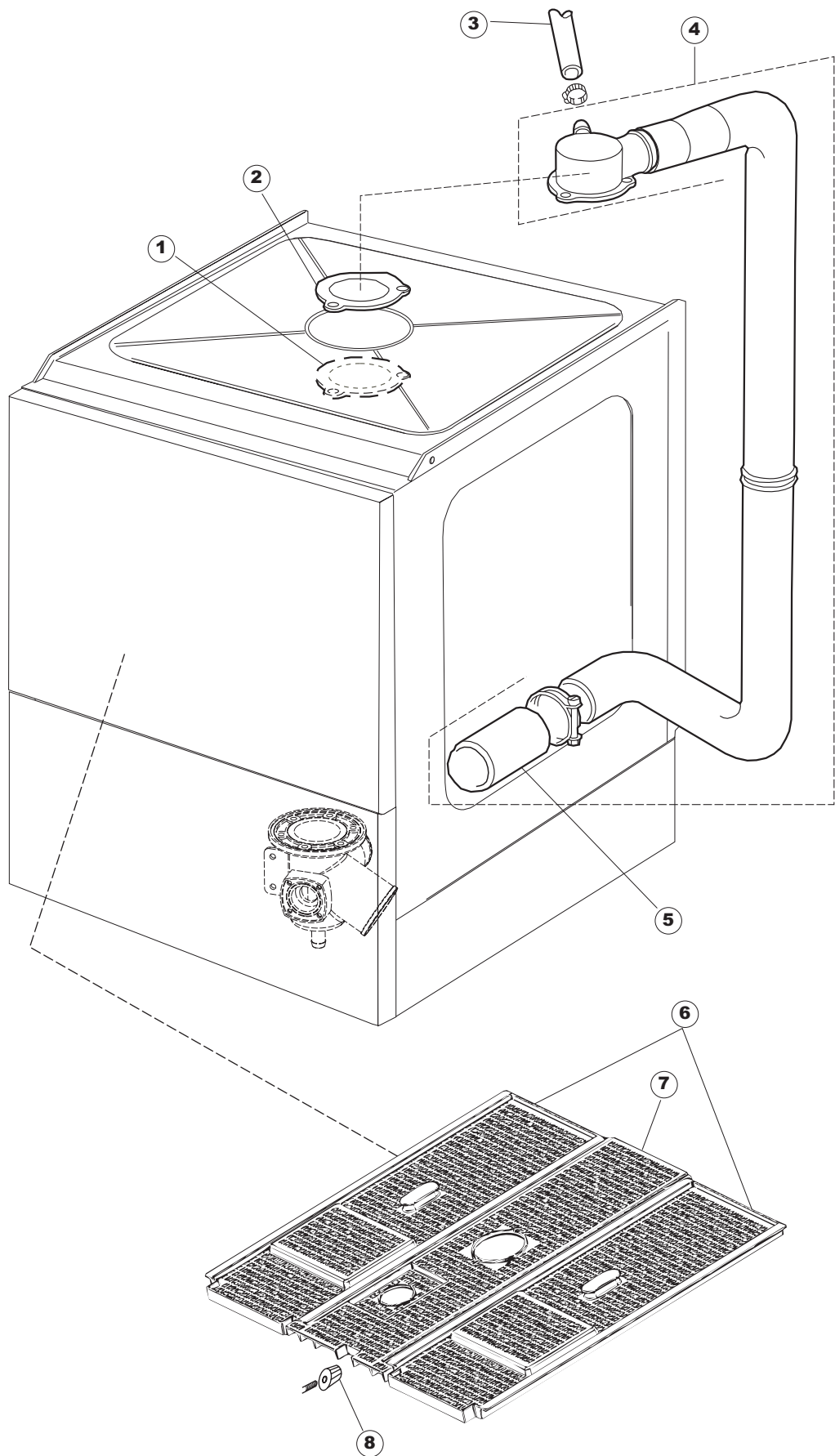




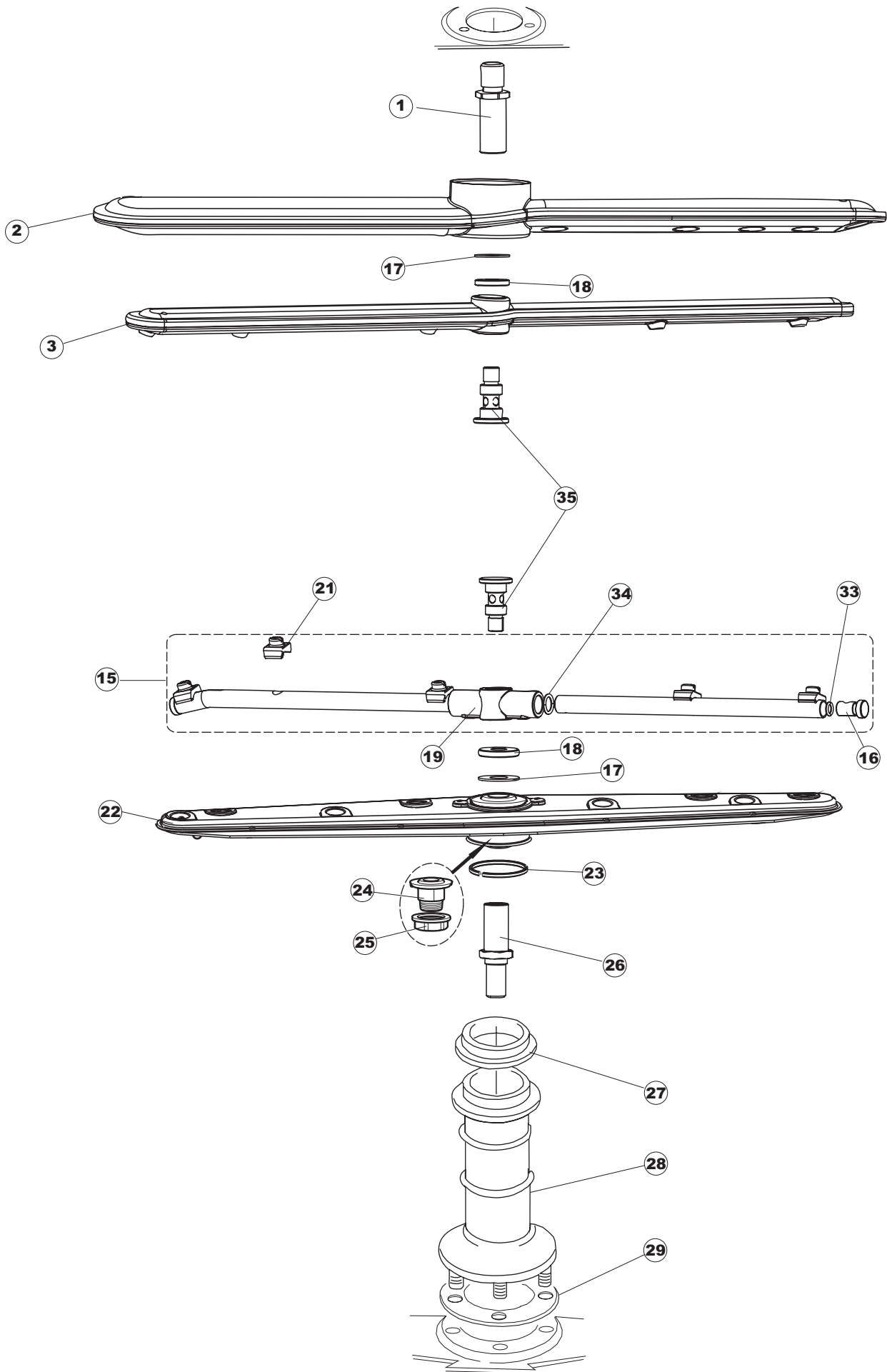


LS500A-501A





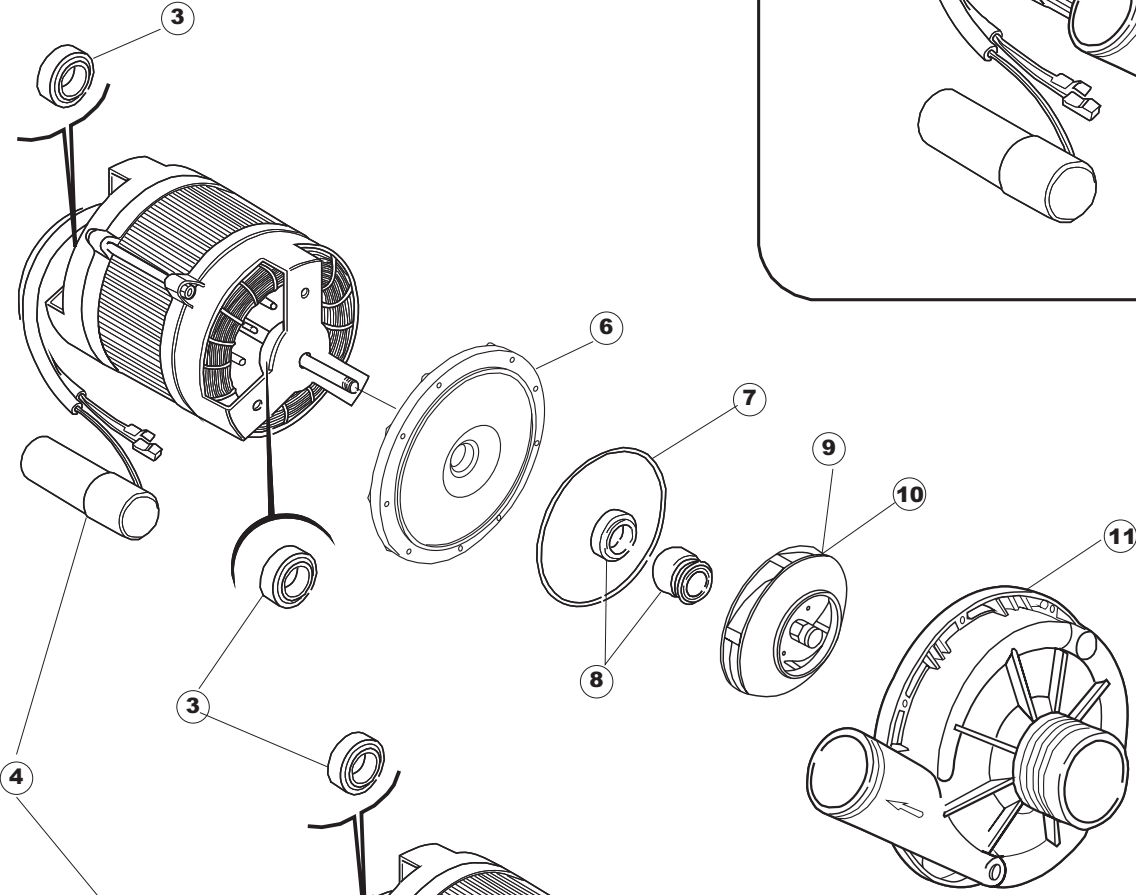
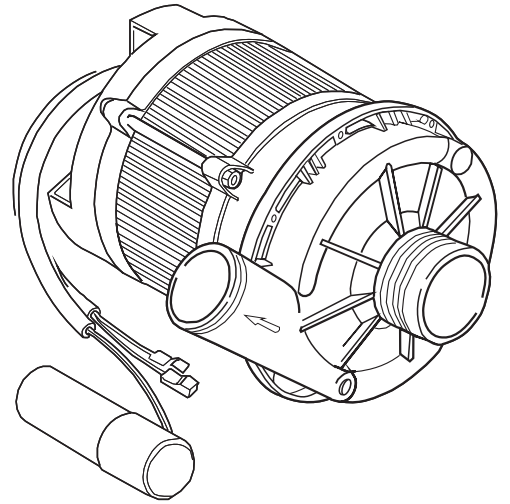
7



B. 237

1

2



T. 173

3

12

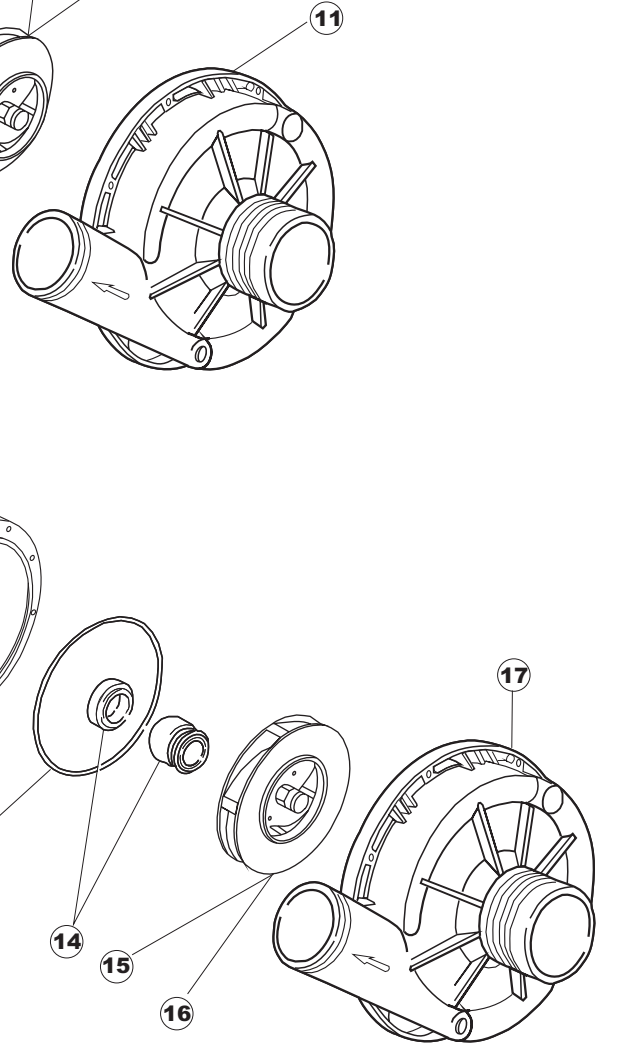
13

14

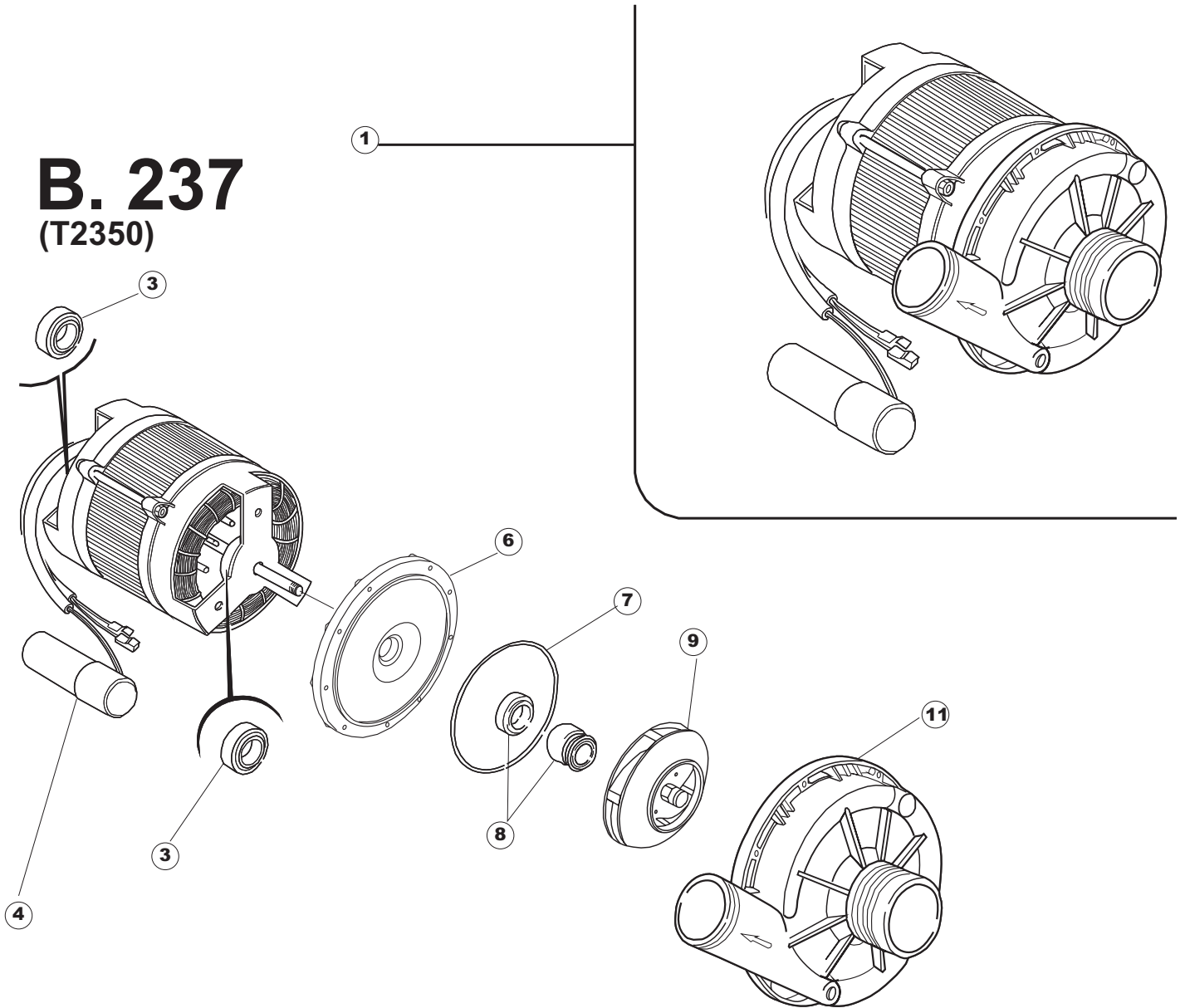
15

16

17



B. 237
(T2350)



Page	Spare part position	Code number	Old code number	Description	U. m.
1	1	004066	REB004066	COVER - 50/503	NR
1	2	026070		NOT IN PRICE-LIST	
1	3	417041	REB417041	NUT, DOOR BUFFER	NR
1	4	307003	REB307003	NUT-LEDGE, FOR ROD	NR
1	5	304021	REB304021	ROD, DOOR GUIDE 50/500/453/463/503	NR
1	6	325036	REB325036	PIN, DOOR HINGE 50	NR
1	7	311019	REB311019	HINGE, DOOR 45/46/50..	NR
1	8	325066	REB325066	LOCK PIN BETA 246/250	NR
1	9	999108	REB999108	GRUPPO CALAMITA PORTA 453/463/500/503	NR
1	10	022095	REB022095	PANEL, REAR CPL 50/503	NR
1	11	480058	REB480058	CAP, RUBBER D.17	NR
1	12	437081	REB437081	GASKET, DOOR - 50/503	NR
1	13	033301	REB033301	BRACKET, FIXED FOR DOOR GASKET 50/503	NR
1	14	994012	DWS30	GRUPPO SERRATURA EB/F 22/44	NR
1	15	029590		DOOR	NR
1	16	015064		RACK SLIDE SX.	NR
1	17	015063		RACK SLIDE DX.	NR
1	18	480057	REB480057	CAP, RUBBER D.14	NR
1	19	408006	REB408006	STUD, FOR TANK FILTER - GREY	NR
1	20	459004	REB459004	PIPEHOLDER, RUBBER DI.34	NR
1	21	459006	REB459006	FAIRLEAD, Di9/De16 22	NR
1	22	030080	REB030080	PROTECTION, LOW. SOCLE 50/503	NR
1	23	461019	REB461019	FOOT, ADJUST. D30 M8	NR
1	24	012326		FRONT PANEL	NR
2	1	214108		TRANSPARENT PROTECTION FOR ELECTRIC INSTALLATION FOR DISHWASHER	NR
2	2	228010		FUSE	NR
2	3	210010		FUSE-HODER	NR
2	4	210011		PLATE	NR
2	5	215029		MAIN BOARD	NR
2	6	229039		RELAY 62.82.8.230.0300	NR
2	7	143013	REB143013	PIPE, PVC GREEN 4X7	MT
2	8	80871		MAGNETIC DOOR SWITCH	NR
2	9	035031	REB035031	UNION, Y-TYPE, PRESSURE SWITCH 760	NR
2	10	224010		PRESSURE SWITCH, DRAIN PUMP SAFETY 110/75	NR
2	11	224003	REB224003	PRESSURE SWITCH - 55/35	NR
2	13	026064		NOT IN PRICE-LIST	
2	14	208010	REB208010	SWITCH, DOUBLE - 35/40/50	NR
2	15	226071	REB226071	PB W/DOUBLE CONTACT 35/40/50	NR
2	16	216025	REB216025	WARNING LAMP, SERIES 24.5.0.00.04.78	NR
2	17	226124		SWITCH HOLDER	NR
2	18	227060		KEY, SILVER GLAZED WITH PIL.LIGHT SER.D25	NR
2	19	220011	REB220011	* TERMINAL BOARD, 5-POLES + EARTH FV.122	NR
2	20	459005	REB459005	CABLE CLAMPS, STEAB art.5024	NR
2	21	299040	REB299040	PLUG, SCHUKO 90^ CABL. l=2.5mt	NR
2	22	230086	REB230086	RESISTANCE, TANK 2700W/220V-3200W/240V 22/44/50	NR
2	23	456015	REB456015	O-ring 112 9.92X2.62	NR
2	24	463007	REB463007	LUG, RESISTANCE PROTECTION	NR
2	25	437030	REB437030	GASKET, D14D22S1.5 FIBRE	NR
2	26	417017	REB417017	NUT, TANK THERMOSTAT	NR
2	27	236042	REB236042	THERMOSTAT, TANK TR711 Tf-53ø	NR

2	28	236047	REB236047	THERM.,CONT. /S.95ø+/-3ø	NR
2	29	456002	REB456002	O-ring 48x6,2	NR
2	30	230116		HEATING ELEMENT 3000W/230V	NR
2	31	236043	REB236043	THERMOSTAT, BOILER TR711 Tf-83ø	NR
2	32	69870		BOILER HEATING ELEMENT PROTECTION	NR
2	33	209021		PERISTALTIC DISPENSER (NBR-3)	NR
2	34	468151	DZR150NT	UNION, EXTRA DET. CPL NM * WELDED	NR
2	35	143194	REB143194	PIPE 4x6 CRISTAL, TRANSP.	MT
2	36	143219	REB143219	TUBE, SANTOPRENE 6X10 FITTINGS+METAL RINGS	NR
2	37	121993		FILTER GROUP	NR
3	1	228010		FUSE	NR
3	2	210010		FUSE-HODER	NR
3	3	210011		PLATE	NR
3	4	229039		RELAY 62.82.8.230.0300	NR
3	5	215029		MAIN BOARD	NR
3	6	229040		RELAY 62.83.8.230.0300	NR
3	7	80871		MAGNETIC DOOR SWITCH	NR
3	8	026065		NOT IN PRICE-LIST	
3	9	230086	REB230086	RESISTANCE, TANK 2700W/220V-3200W/240V 22/44/50	NR
3	10	236047	REB236047	THERM.,CONT. /S.95ø+/-3ø	NR
3	11	456002	REB456002	O-ring 48x6,2	NR
3	12	230111		RESIST.B.4900W/230-400V	NR
3	13	69870		BOILER HEATING ELEMENT PROTECTION	NR
3	14	220011	REB220011	* TERMINAL BOARD, 5-POLES + EARTH FV.122	NR
3	15	459005	REB459005	CABLE CLAMPS, STEAB art.5024	NR
3	16	H.374339-2		CABLE HO7RN-F 5X2.5X3.0MT	NR
4	1	441009	REB441009	INSERT, SEAL D10 COLL.S621-	NR
4	2	437014	REB437014	GASKET, LOWER MANIFOLD S850	NR
4	3	143174	REB143174	PIPE, WATER LOW.COLL. RINSE 50	NR
4	4	111030		NEUTRAL LOWER MANIFOLD ASS. E50NM+PLUG	NR
4	5	035064		BRACKET, DRAIN PUMP FOR MANIFOLD 50NM	NR
4	6	127026	REB127026	SLEEVE, PUMP DELIVERY 22/500	NR
4	7	143240		PIPE, H-)COND.UPPER	NR
4	8	143189	REB143189	TUBE, DRAIN SFIATO DVGW CLEAN.3	NR
4	9	144011	REB144011	CHECK VALVE (EB)	NR
4	10	143004	REB143004	PIPE, PRESSURE SWITCH TP 10X17 (CASER/15NL C4N)	MT
4	11	437041	REB437041	GASKET 3/4 GAS LOAD	NR
4	12	929169	RAT32	TUBO DI CARICO DEL TERMOPLASTICO	NR
4	13	240011	REB240011	LOADING S.VALVE 1-WAY	NR
4	14	104060		BOILER	NR
4	15	143005	SPG10	PIPE, PRESSURE SWITCH TP 5x11 (CASER/15/NL C4N)	MT
4	16	209025		RINSE AID DISPENSING PUMP	NR
4	17	121149		DETERGENT PUMP FILTER	NR
4	18	H.775601		PIPE 4x6 CRISTAL BLUE PVC	MT
4	19	142053	REB142053	OVERFLOW, DRAIN 50/503 NM	NR
4	20	121078	REB121078	FILTER, DRAIN PUMP 463/503	NR
4	21	303019	REB303019	RING, ELASTIC FOR DRAIN PUMP FILTER 503	NR
4	22	136023	REB136023	DRAIN, BENT 50/503	NR
4	23	437063	CGG42	GASKET, DRAIN 50	NR
4	24	417081	CDP2	NUT, PLASTIC 1'- 1/4	NR
4	25	127050	REB127050	SLEEVE, RIGIDO ASP.P.S. 500/503	NR
4	26	127044	REB127044	SLEEVE, SUCT.DRAIN PUMP 353/403	NR
4	27	468152	REB468152	UNION, DRAIN CLEAN.3	NR
4	28	127037	REB127037	SLEEVE, DRAIN CLEAN.3	NR
4	29	144003	REB144003	RELIEF VALVE, DRAIN PUMP	NR
4	30	423024	REB423024	CLAMP, PLAST.FOR DRAIN PUMP PIPE CLAMP.	NR

4	31	143178	REB143178	PIPE, DRAIN - 50	NR
4	32	130176		DRAIN PUMP 50HZ	NR
4	33	130150		DRAIN PUMP (50/503/460/BD18) 60HZ	NR
5	1	142052	REB142052	OVERFLOW 50/503 NM	NR
5	2	136023	REB136023	DRAIN, BENT 50/503	NR
5	3	437063	CGG42	GASKET, DRAIN 50	NR
5	4	417081	CDP2	NUT, PLASTIC 1'- 1/4	NR
5	5	143178	REB143178	PIPE, DRAIN - 50	NR
5	6	121052	DAF136U	FILTER, PUMP - 22/44	NR
5	7	478059		SUPPORT, FILTER GREY+EXTENSION	NR
5	8	437015	REB437015	GASKET, PUMP FILTER S651-	NR
5	9	127041	REB127041	SLEEVE, SUCTION 463/503	NR
5	10	984005	REB984005	GRUPPO CAMPANA PRESSOST.35/40	NR
5	11	423011	REB423011	CLAMP, SPRING-TYPE	NR
5	12	468029	REB468029	UNION, PRESSURE SWITCH BELL	NR
5	13	456020	REB456020	O-ring 3050 R495	NR
5	14	437019	REB437019	GASKET, CAMP. PRESS. V.M.	NR
5	15	107005	REB107005	PRESSURE SWITCH BELL EB 35/40	NR
5	16	929169	RAT32	TUBO DI CARICO DEL TERMOPLASTICO	NR
5	17	437041	REB437041	GASKET 3/4 GAS LOAD	NR
5	18	240016	DEV3S16	LOADING S.VALVE 1-WAY 3/4 230V PART.16L	NR
5	19	143246		PIPE, -)SOFTENER	NR
5	20	999288		GRUPPO VALVOLA DEVIATR.CON RIDUTTORE	NR
5	22	143243		PIPE, -)DVGW	NR
5	23	143004	REB143004	PIPE, PRESSURE SWITCH TP 10X17 (CASER/15NL C4N)	MT
5	24	117007		WATER SOFTNER	NR
5	25	406998	REB406998	SALT CONTAINER NM	NR
5	26	480005	REB480005	SALT CONTAINER SCREW CAP	NR
5	27	456052	REB456052	O-ring 144	NR
5	28	429011	REB429011	RING NUT, SALT CONT.	NR
5	29	437034	REB437034	GASKET, D68D81S3 RUBBER	NR
6	1	303029	REB303029	RING, DRIPPING 46/50..	NR
6	2	437064	REB437064	GASKET, MANIFOLD, CENTR.UPP.50	NR
6	3	143240		PIPE, H-)COND.UPPER	NR
6	4	115131		EXTERIOR WASH PIPE CPL.E50-503	NR
6	5	127036	REB127036	SLEEVE, LOW.WASH.COND. 50/f	NR
6	6	121139		FILTER	NR
6	7	121138		FITER	NR
6	8	408006	REB408006	STUD, FOR TANK FILTER - GREY	NR
7	1	325108		HINGE	NR
7	2	129085		PLASTIC WASH ARM	NR
7	3	129089		RINSE ARM	NR
7	15	993069		GRUPPO RISCIAQUO 50 SPR.PL(INCASTRO)	NR
7	16	926132		CAP, PLASTIC FOR WASH. ARM (DWT312)	NR
7	17	80623		RING 22X9,5X1	NR
7	18	80697		NUT	NR
7	19	69632		ARM BODY	NR
7	21	140036		RINSE JET	NR
7	22	80345		NEW WASH BOSS ASSEMBLY	NR
7	23	303032		RING, INOX WASH. SEAL X5	NR
7	24	417111		BUSHING, WASH-ARM X5	NR
7	25	308031		RING NUT, WASH.BUSH X5	NR
7	26	325094		WASH COMB PIN SHAFT	NR
7	27	199058		DISC, WATER FLOW REDUCER PLAST.E55	NR
7	28	115075	REB115075	CENTR.PIPELINE - LOWER 50 (H=108)	NR

7	29	437014	REB437014	GASKET, LOWER MANIFOLD S850	NR
7	33	456060		O-ring 2025(CGR2025)	NR
7	34	456019	REB456019	O-ring 2037	NR
7	35	80700		HINGE	NR
8	1	130109	REB130109	PUMP HP 0.80 220/240-50 - 50/500	NR
8	2	130119		PUMP B237 HP 0.80 220/60 50	NR
8	3	314001	REB314001	BEARING 6201/2Z	NR
8	4	206004	REB206004	CONDENSER - 16 mF	NR
8	6	315017	REB315017	FLANGE, W/COVERING DUCT B237	NR
8	7	437049	REB437049	GASKET, PUMP 2277	NR
8	8	141002	REB141002	SEAL, MECH., REVOLVING D 12	NR
8	9	124038	REB124038	PUMP IMPELLER B237 50Hz D.96	NR
8	10	124039	REB124039	PUMP IMPELLER B237 60Hz D.83	NR
8	11	116021	REB116021	PUMP SHELL, B237	NR
8	12	315022	REB315022	FLANGE, PUMP LGB T-173/174	NR
8	13	456031	REB456031	O-ring T30-1297 D.2	NR
8	14	141007	REB141007	SEAL, MECH..D.26x13x5,5 BR.	NR
8	15	124031	RAG291	IMPELLER, CLOSED 50HZ D.104 T170	NR
8	16	124053		IMPELLER, CLOSED 60HZ	NR
8	17	116019	REB116019	PUMP SHELL, 50 T-173	NR
9	1	130109	REB130109	PUMP HP 0.80 220/240-50 - 50/500	NR
9	3	314001	REB314001	BEARING 6201/2Z	NR
9	4	206003		CONDENSER - 12.5 mF	NR
9	6	315017	REB315017	FLANGE, W/COVERING DUCT B237	NR
9	7	437049	REB437049	GASKET, PUMP 2277	NR
9	8	141002	REB141002	SEAL, MECH., REVOLVING D 12	NR
9	9	124065		WASH PUMP IMPELLER FOR B237 FOR DISH- WASHER	NR
9	11	116021	REB116021	PUMP SHELL, B237	NR