

CM1200C Parts List

Table of Contents

Cabinet

Refrigeration

Air Cooled

Water Cooled

Water System

Control Box

Wiring Diagrams

CM1200C

THE PARTS ILLUSTRATIONS AND PARTS LISTS

GENERAL

This section contains the Parts illustrations and the Parts List for each of the major assemblies of the Model CM1200C Cuber.

A *No Number* designation, when used in the Part Number Column indicates the unit is not available from SCOTSMAN as an assembly. This designation is used only for the convenience and clarity of division in cataloging.

HOW TO ORDER PARTS OR ASSEMBLIES

When ordering parts or assemblies, to avoid costly delays and errors in shipment, give the part number, the complete description shown in the list, and the quantities of each part or assembly required. Also include the Model name, the serial number of the icemaker for which the part is required, and for parts which require color matching, the color of the Cabinet.

All Part Numbers have TEN DIGITS (spaces), required for use in the Computer System. BE SURE to fill in ALL SPACES in the CATALOG NUMBER column, on the Parts Order form.

Enter the QUANTITY of the Parts ordered, in the last digit column under the QUANTITY column heading, the one under the small 55 number, for parts from 1 thru 9. For 10 or more parts use two columns.

To be sure you receive the proper parts in the proper quantities. ALWAYS use the PART NUMBERS and DESCRIPTIONS given in the Parts Manuals.

Write an order for the Part. (Use SCOTSMAN Parts Order Form DN103). Be sure to include:

- Distributor Name.
- (Use for DROP-SHIP order ONLY.)
- Distributor Purchase Order Number.
- Carrier.
- How shipped (Truck, Rail, UPS, etc.)
- Date ordered.
- Part Catalog Number. (Use full TEN digits (spaces) listed in Parts Manual, including dashes between numbers.)
- Description - as listed in Parts Manual.
- Quantity - number of parts ordered. (Use far right column.)

CM1200C

WIRING DIAGRAMS

This section is provided as an aid in understanding the electrical circuitry of the modular cuber:

////////////////////// **WARNING** ////////////////////////

When conducting a continuity check of the modular cuber:

- 1. Disconnect the main power source.**
- 2. DO NOT use an incandescent lamp or jumper wire, conduct all tests with a volt-ohm-meter.**

////////////////////////////////////

The wiring diagrams in this Section are:

CM1200-9C 115/208-230/60/3 - Air-Cooled

CM1200-9C 115/208-230/60/3 - Water-Cooled

CM1200-31C 115/208-230/60/1 - Air-Cooled

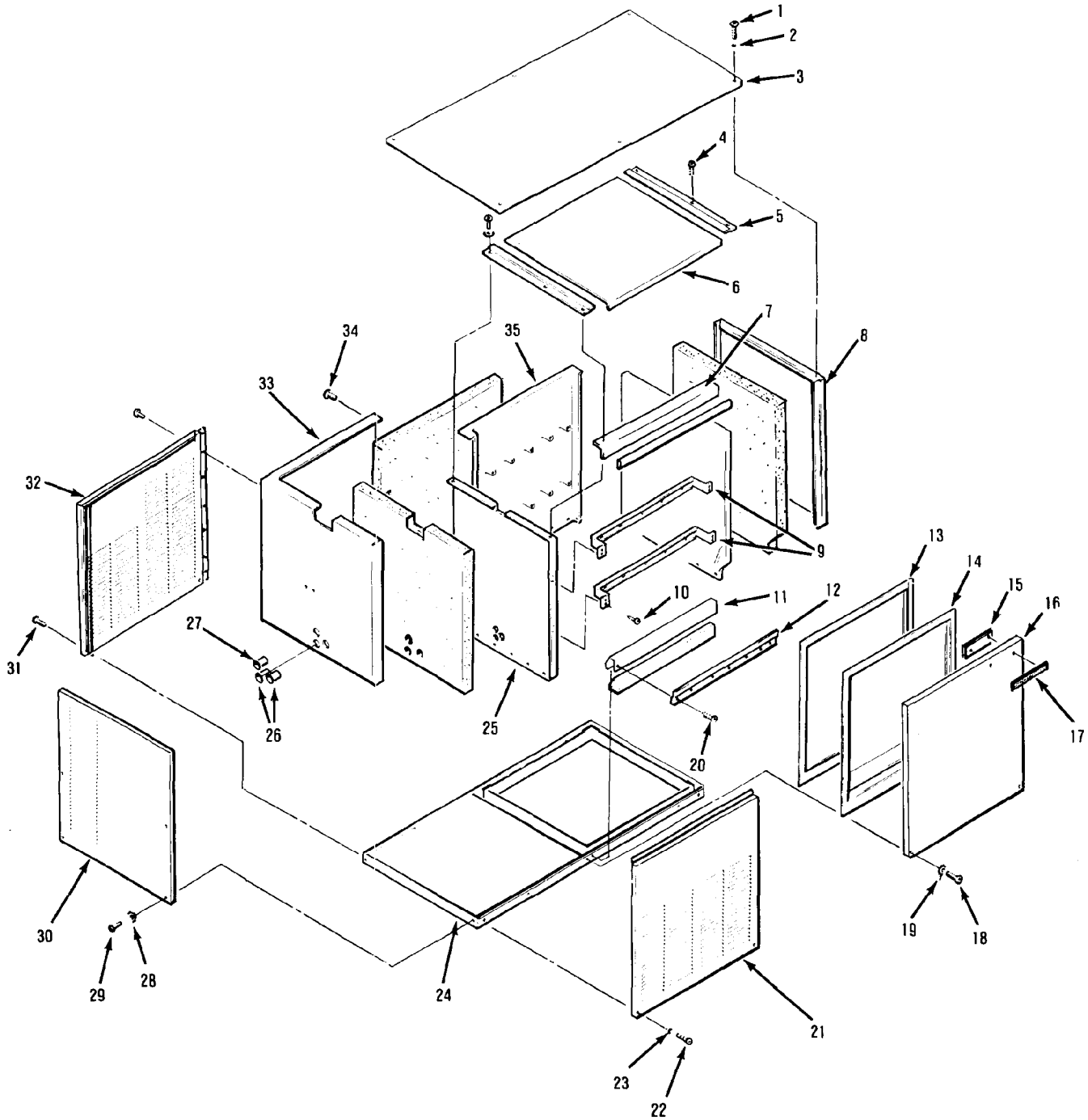
CM1200-31C 115/208-230/60/1 - Water-Cooled

CM1200C
THE PARTS ILLUSTRATIONS AND PARTS LISTS

CABINET ASSEMBLY

ITEM NUMBER	PART NUMBER	DESCRIPTION
1	03-1404-09	(6) Screws, 8 x 1/2
2	03-1407-03	(2) Washers
3	A30744-001	Panel Top (Enamel)
	A30744-002	Panel Top (Stainless Steel)
4	03-1404-10	Screw, 8 x 1/2 (Stainless Steel)
5	<i>No Number</i>	Liner Guide
6	A30329-001	Liner Top
7	<i>No Number</i>	Upper Front Brace
8	A29164-003	Right Panel (Enamel)
	A29164-002	Right Panel (Stainless Steel)
9	A29204-001	Brace Front
10	03-1404-10	Screw 8 x 1/2 (Stainless Steel)
11	02-2532-01	Liner Cap
12	<i>No Number</i>	Liner Guide
13	13-0595-00	Gasket — Foam
14	02-2795-01	Liner Front Panel
15	03-0271-00	(2) Speed Clip
16	A30743-001	Panel, right front (Enamel)
	A30743-001	Panel, right front (Stainless Steel)
17	15-0711-01	Emblem
18	03-1404-19	(2) Screws, 8 x 1
19	03-1417-03	(2) Washers
20	03-1404-10	(8) Screws, 8 x 1/2 (Stainless Steel)
21	A30742-001	Panel, left front (Enamel)
	A30742-002	Panel, left front (Stainless Steel)
22	03-1404-19	(2) Screws 8 x 1
23	03-1417-03	(2) Washers
24	<i>No Number</i>	Base Fab Assembly
25	02-2533-01	Liner Left Side
26	<i>No Number</i>	(4) Bushing
27	<i>No Number</i>	(2) Bushing
28	03-1407-03	(2) Washer
29	03-1404-10	(4) Screws 8 x 1/2 (Stainless Steel)
30	A29168-003	Panel, left side (Enamel)
	A29168-002	Panel, left side (Stainless Steel)
31	03-1404-09	(4) Screws, 8 x 1/2
32	A30604-001	Panel, left back
33	<i>No Number</i>	Retainer
34	03-1404-09	(4) Screws 8 x 1/2
35	02-2531-01	Liner back

CM1200C THE PARTS ILLUSTRATIONS AND PARTS LISTS



CM1200C

THE PARTS ILLUSTRATIONS AND PARTS LISTS

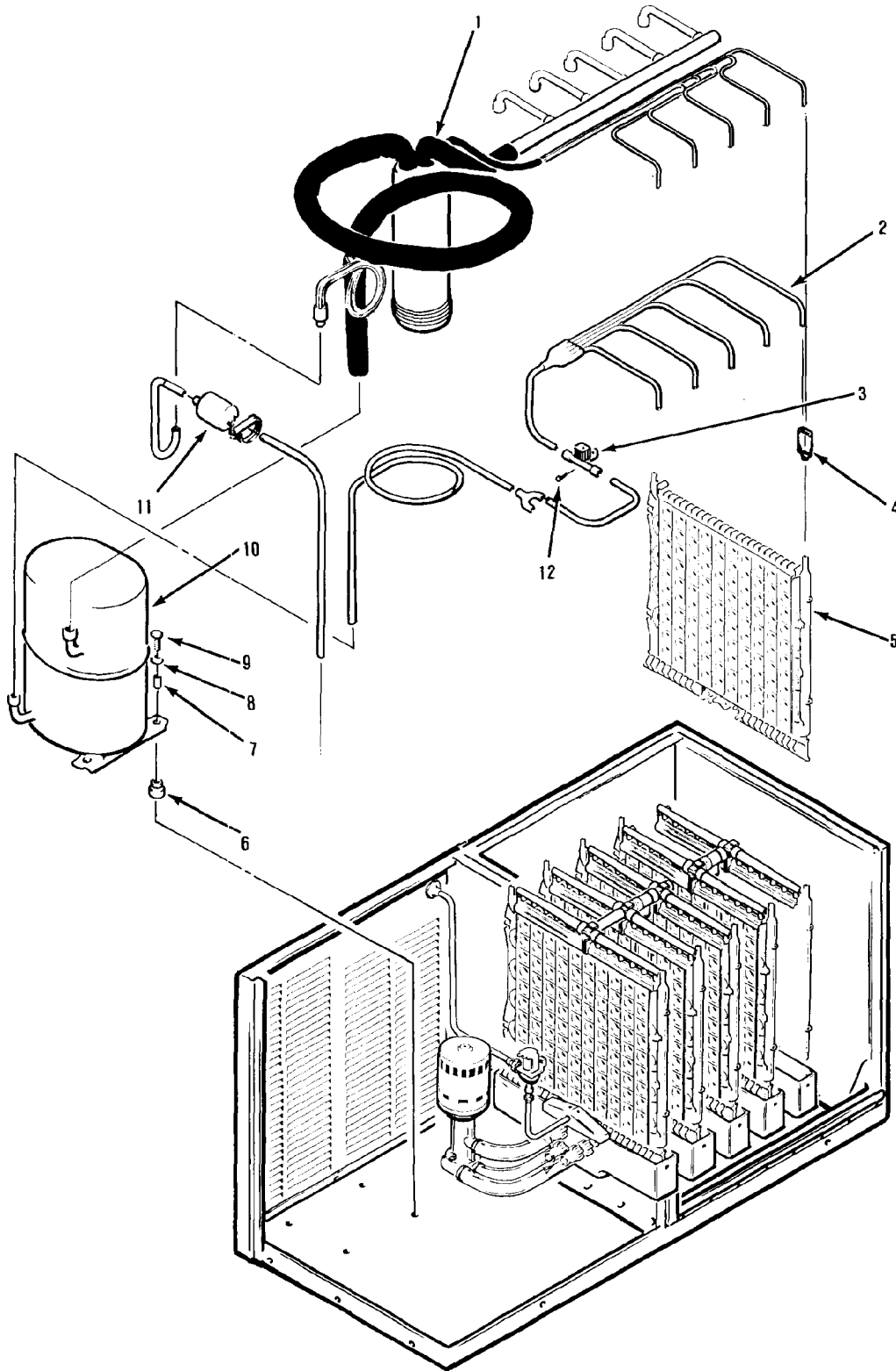
REFRIGERATION COMPONENTS COMMON TO AIR-COOLED OR WATER-COOLED MODELS

ITEM NUMBER	PART NUMBER	DESCRIPTION
1	A30325-020	Heat Exchange F/A
2	A29260-001	Hot Gas Tube Assembly
3	12-2146-01	Hot Gas Valve
4	<i>No Number</i>	Evaporator Plate Adaptor
5	A30296-020	Evaporator Plates
6	18-5100-51	Grommet
7	18-5100-50	Sleeve
8	03-1407-07	Washer
9	03-1405-20	Screw 5/16-18 x 1 1/2
10	18-5100-02	Compressor 208-230/60/1
	18-5100-03	Compressor 230/60/3
11	02-2426-02	Drier
12	03-1404-09	Screw, 8 x 1/2

BH750 BIN (Not Shown)

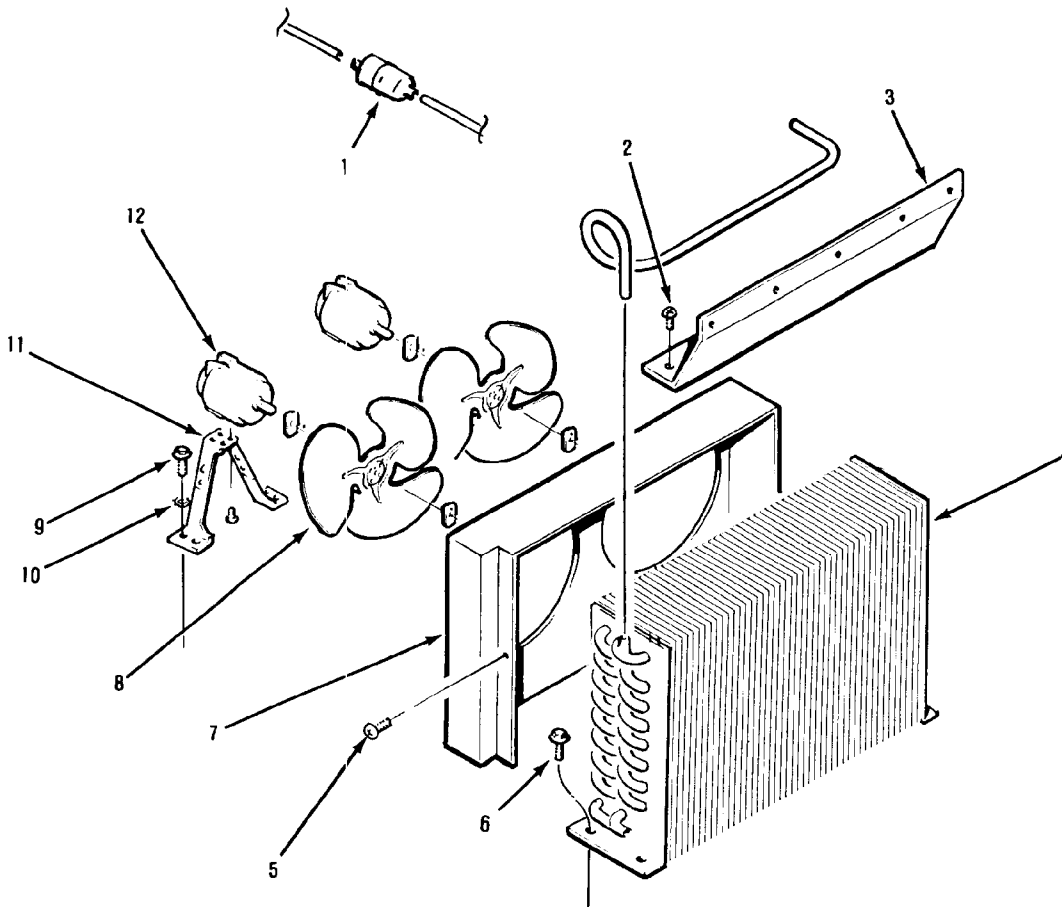
ITEM NUMBER	PART NUMBER	DESCRIPTION
1	A29210-001	Left Door Hinge
2	A29210-002	Right Door Hinge
3	A29213-001	Left Bin Hinge
4	A29213-002	Right Bin Hinge
5	A29216-001	Door
6	A29407-001	Door Frame
7	02-2380-01	Hinge Bushing
8	02-2380-02	Spacer
9	02-2806-01	Shoulder Screw
10	03-1539-09	E Ring
11	KLP2	Enamel Legs (Set of 4)
12	KLP2S	Stainless Steel Legs (Set of 4)

CM1200C THE PARTS ILLUSTRATIONS AND PARTS LISTS



CM1200C

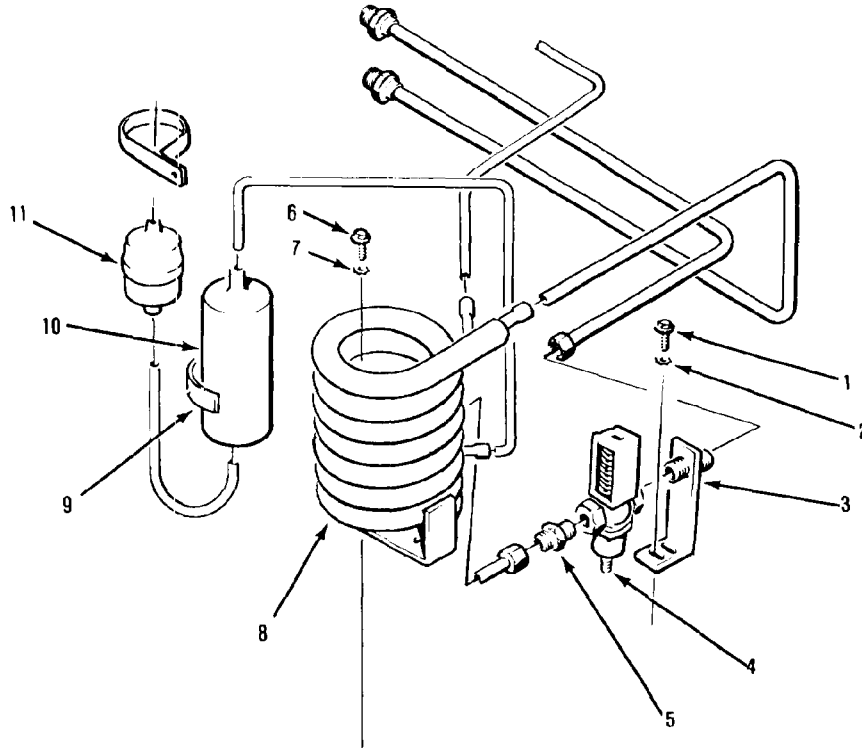
THE PARTS ILLUSTRATIONS AND PARTS LISTS



AIR-COOLED ASSEMBLIES

ITEM NUMBER	PART NUMBER	DESCRIPTION
1	02-2426-02	Drier
2	03-1404-09	(5) Screw No. 8 x 1/2
3	A29240-001	Shroud Extension
4	18-3311-01	Condenser
5	03-1404-09	(8) Screw No. 8 x 1/2
6	03-0571-00	Screw 1/4-20 x 1/2
7	A29182-001	Shroud
8	18-3732-01	Fan Blade
9	03-0571-00	(8) Screw 1/4-20 x 1/2
10	03-1417-08	Washer
11	18-0597-00	Fan Mounting Bracket
12	18-5105-02	Fan Motor

CM1200C THE PARTS ILLUSTRATIONS AND PARTS LISTS



WATER-COOLED ASSEMBLIES

ITEM NUMBER	PART NUMBER	DESCRIPTION
1	03-0571-00	Screw 1/4-20 x 1/2
2	03-1417-08	Washer
3	A15924-000	Bracket, Water Regulator
4	11-0198-02	Water Regulator
5	16-0253-00	Fitting
6	03-0571-00	Screw 1/4-20 x 1/2
7	03-1417-08	Washer
8	18-3306-03	Condenser
9	02-0706-09	Clamp
10	02-2628-01	Receiver
11	02-2426-02	Drier

CM1200C

THE PARTS ILLUSTRATIONS AND PARTS LISTS

WATER SYSTEM

ITEM NUMBER	PART NUMBER	DESCRIPTION
1	02-2521-01	Manifold Water (Long)
2	02-2519-01	Tee
3	A29703-001	Manifold Water (Short)
4	02-2527-01	Tube, Water Distributor
5	02-1358-01	Clamp
6	A29730-001	Water Tube Assembly)
7	A30761-020	Sump Assembly
8	02-1530-01	Clamp
9	02-1800-01	Clamp
10	A29746-001	Pump Bracket
11	13-0571-01	Screw 1/4-20 x 3/4
12	A30751-022	Water Pump
13	12-1646-05	Water Valve
14	02-2523-01	End Cover - Sump
15	02-2520-01	Sump Cover
16	02-2520-02	Sump Cover - Center
17	A29259-001	Preformed Tubing
18	A30758-002	Pump Discharge Preformed
19	A30758-001	Pump Suction Preformed

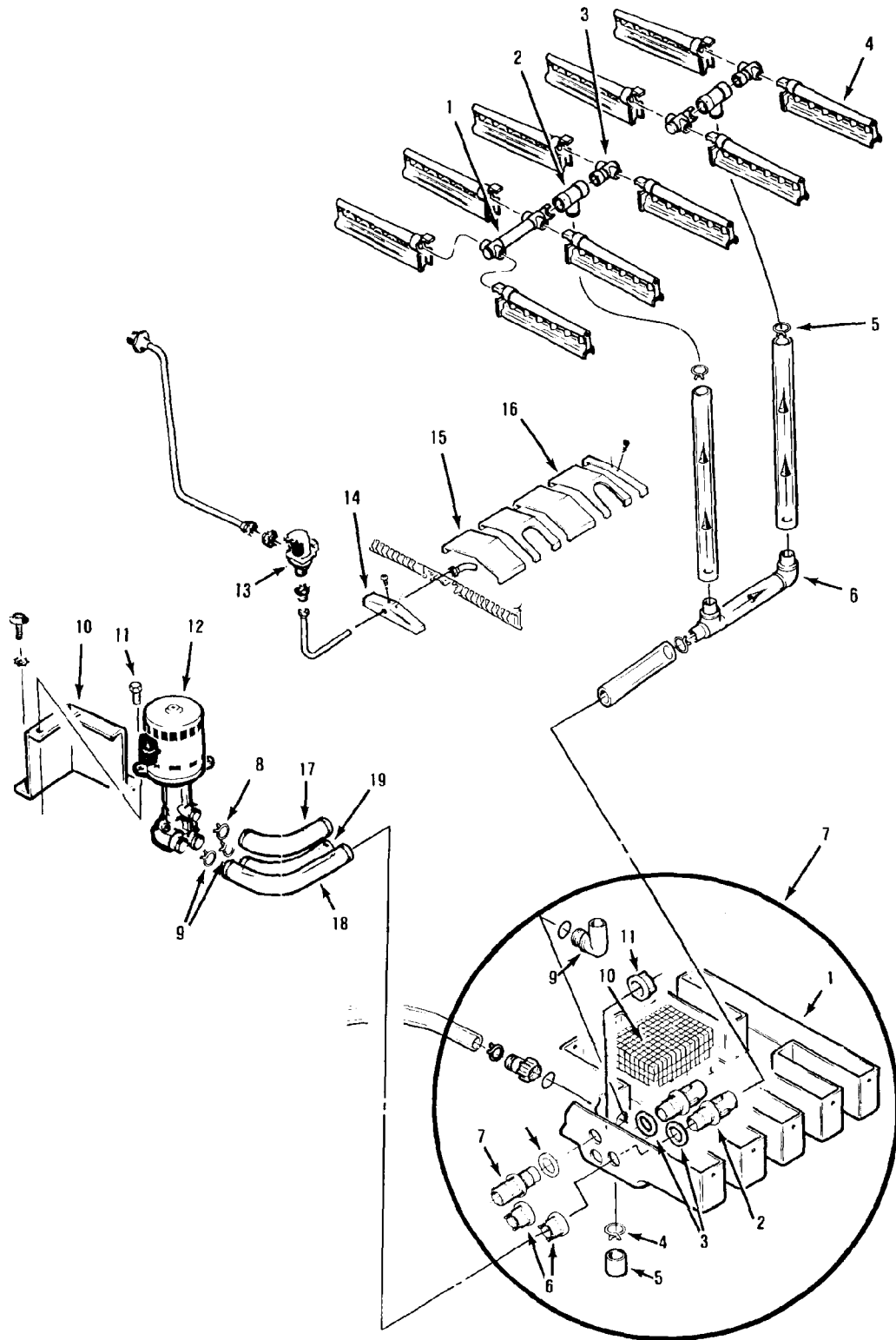


SUMP ASSEMBLY

ITEM NUMBER	PART NUMBER	DESCRIPTION
1	A30761-020	Sump (Complete Assembly)
2	02-2787-01	Tube - Pick Up
3	03-1409-23	Washer - Rubber
4	02-1530-01	Clamp
5	13-0796-01	Rubber Cap
6	02-2786-01	Tube - Inlet
7	02-2788-01	Nut - Water Inlet
8	13-0617-02	"O" Ring
9	02-2125-01	Elbow
10	A30760-001	Screen
11	02-1800-01	Hose Clamp

CM1200C

THE PARTS ILLUSTRATIONS AND PARTS LISTS



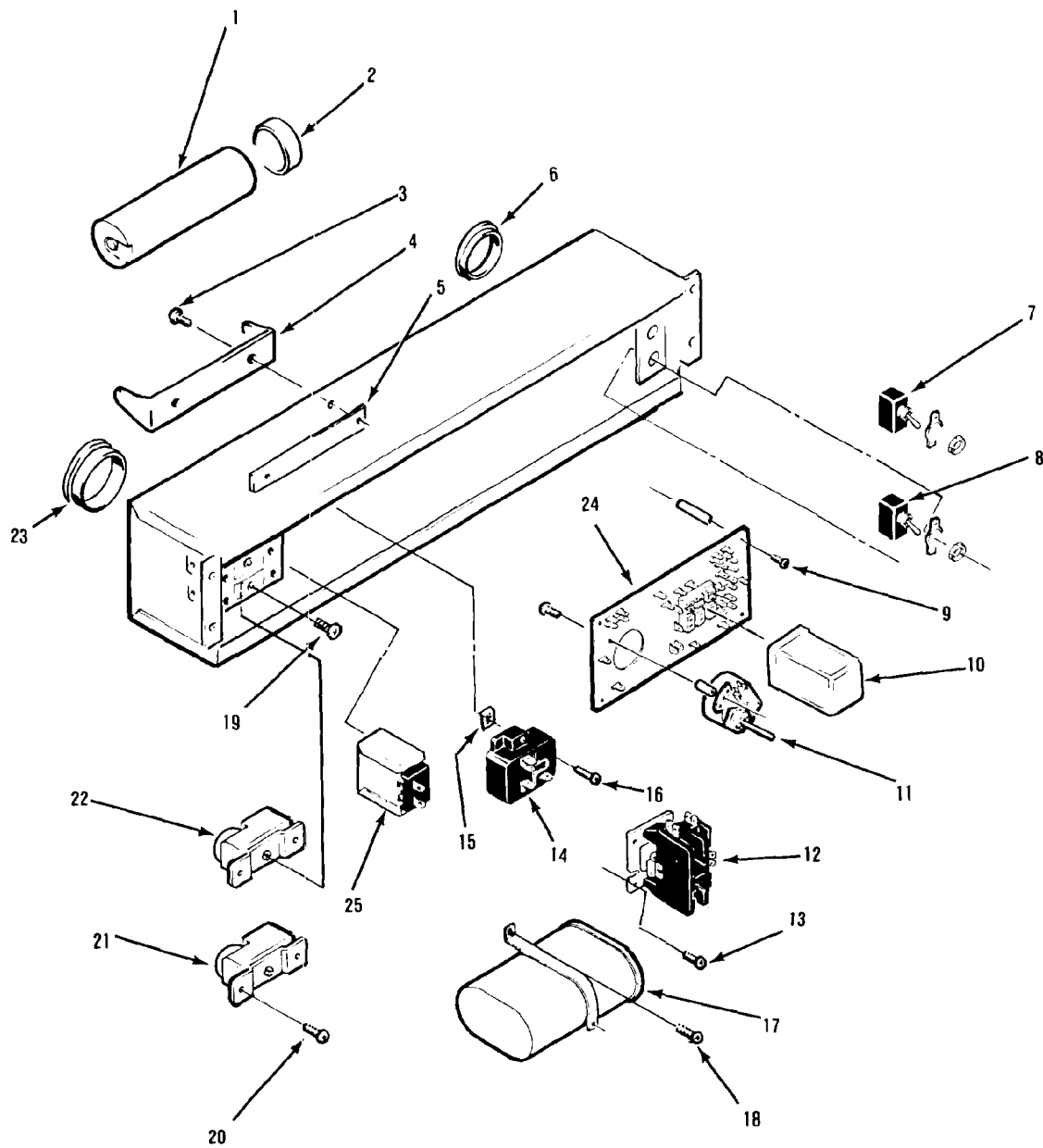
CM1200C
THE PARTS ILLUSTRATIONS AND PARTS LISTS

CONTROL BOX ASSEMBLY

ITEM NUMBER	PART NUMBER	DESCRIPTION
1	18-1901-40	Start Capacitor
2	18-3850-33	Cap Capacitor
3	03-1419-06	Screw
4	18-2200-39	Capacitor Bracket
5	03-1103-00	Twin Speed Nut
6	12-1213-13	Snap Bushing
7	12-0426-01	Compressor Switch - Single-Phase
	12-2174-01	Compressor Switch - Three-Phase
8	12-2174-01	Master Switch (Air-Cooled)
	12-0426-01	Master Switch (Water-Cooled)
9	03-1403-04	(5) Screw
10	12-1879-02	Relay
11	12-1979-01	Timer
12	12-2048-01	Contactor 208-230/60/1
	12-0739-01	Contactor 230/60/3
13	03-1403-17	(2) Screw
14	18-1903-40	Potential Relay
15	03-1423-01	Speed Nut
16	03-1403-04	Screw
17	18-1902-51	Run Capacitor
18	03-1403-21	Screw No. 8 - 32 x 3/4
19	03-1403-14	Screw
20	03-1403-14	(2) Screw
21	11-0351-02	Cube Size Control
22	11-0419-01	Bin Thermostat
23	12-1213-17	Snap Bushing
24	12-1912-01	Circuit Board
25	11-0388-02	Pressure Control (Water-Cooled)

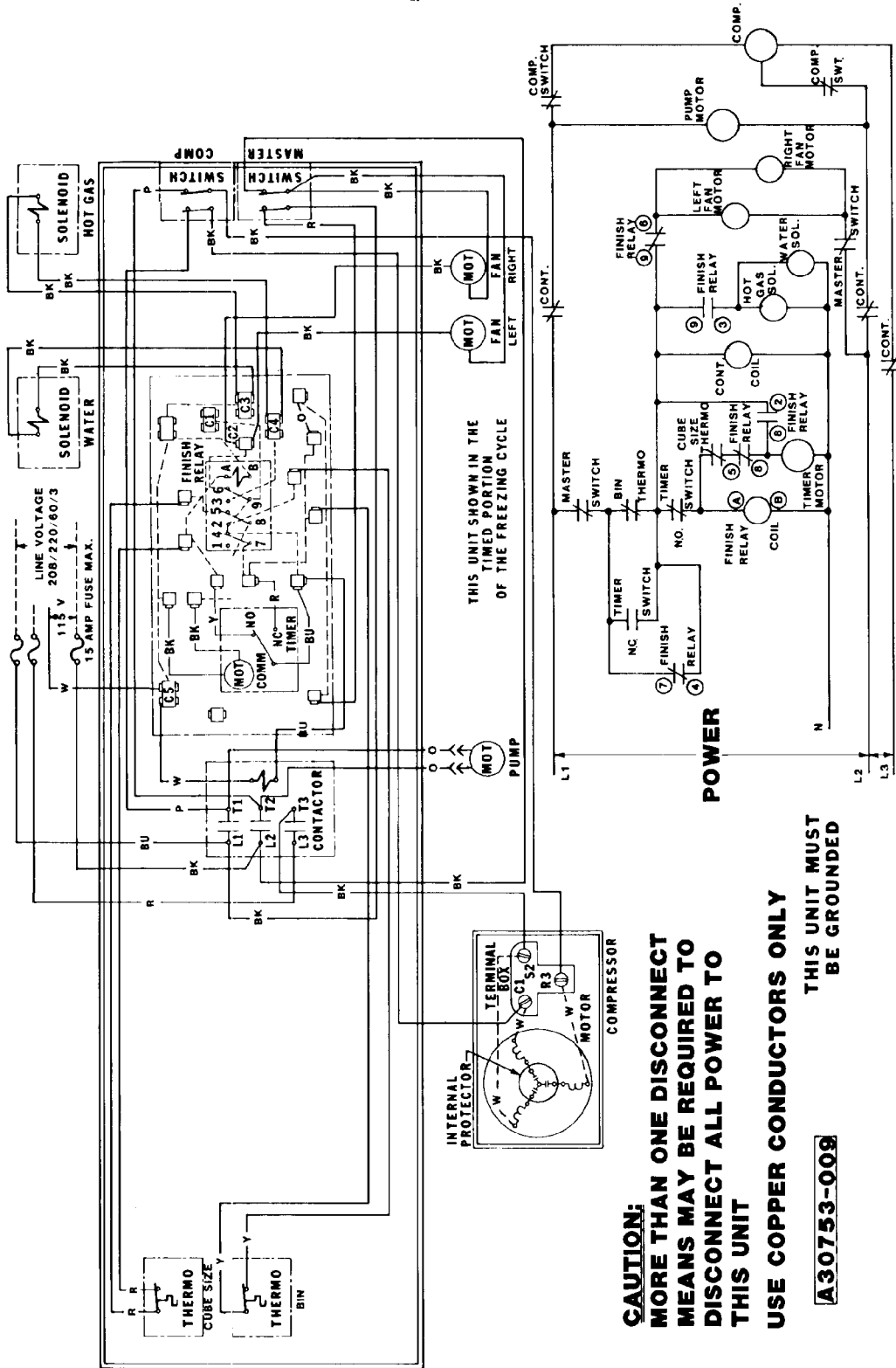
CM1200C

THE PARTS ILLUSTRATIONS AND PARTS LISTS



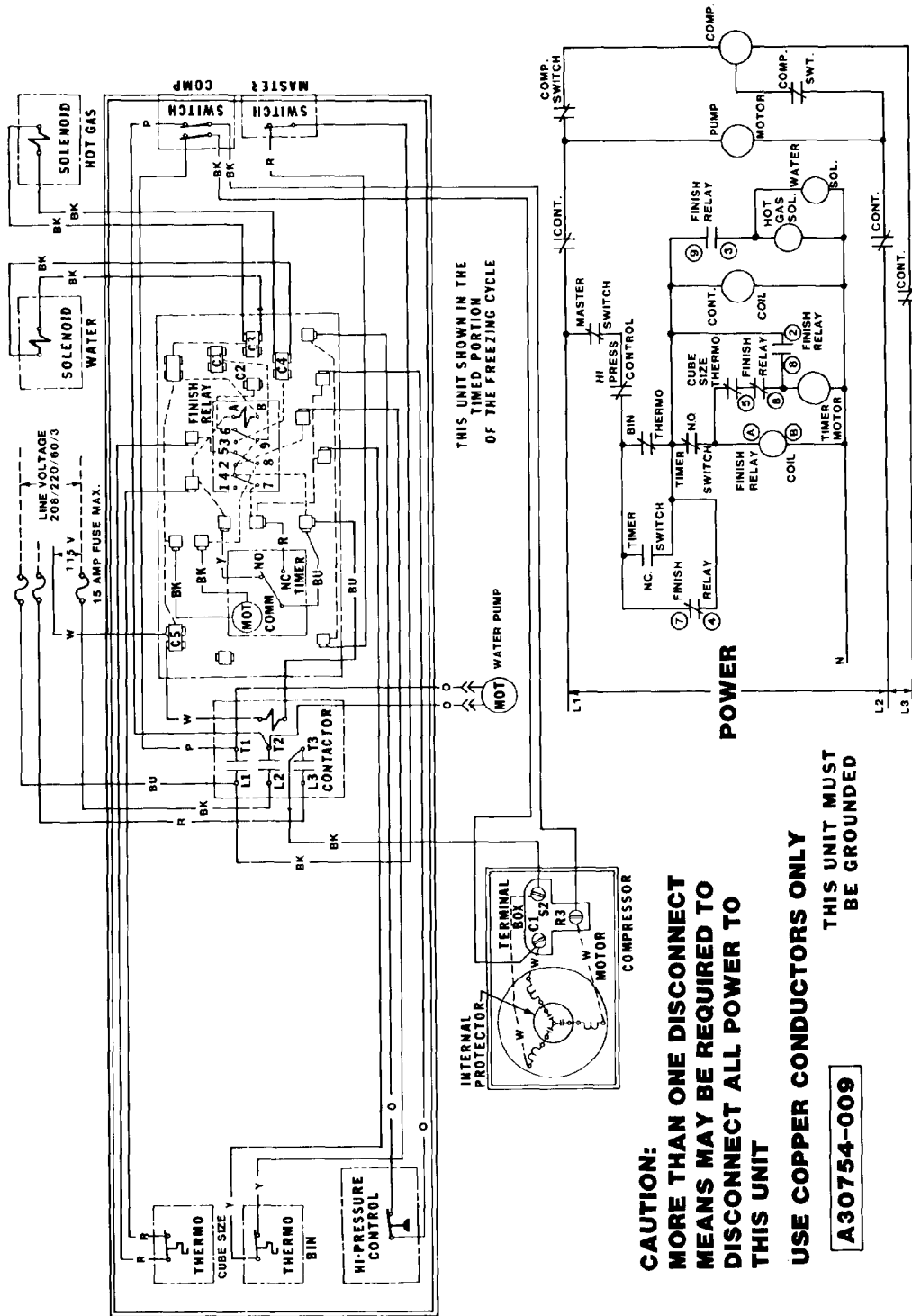
CM1200C WIRING DIAGRAM

5



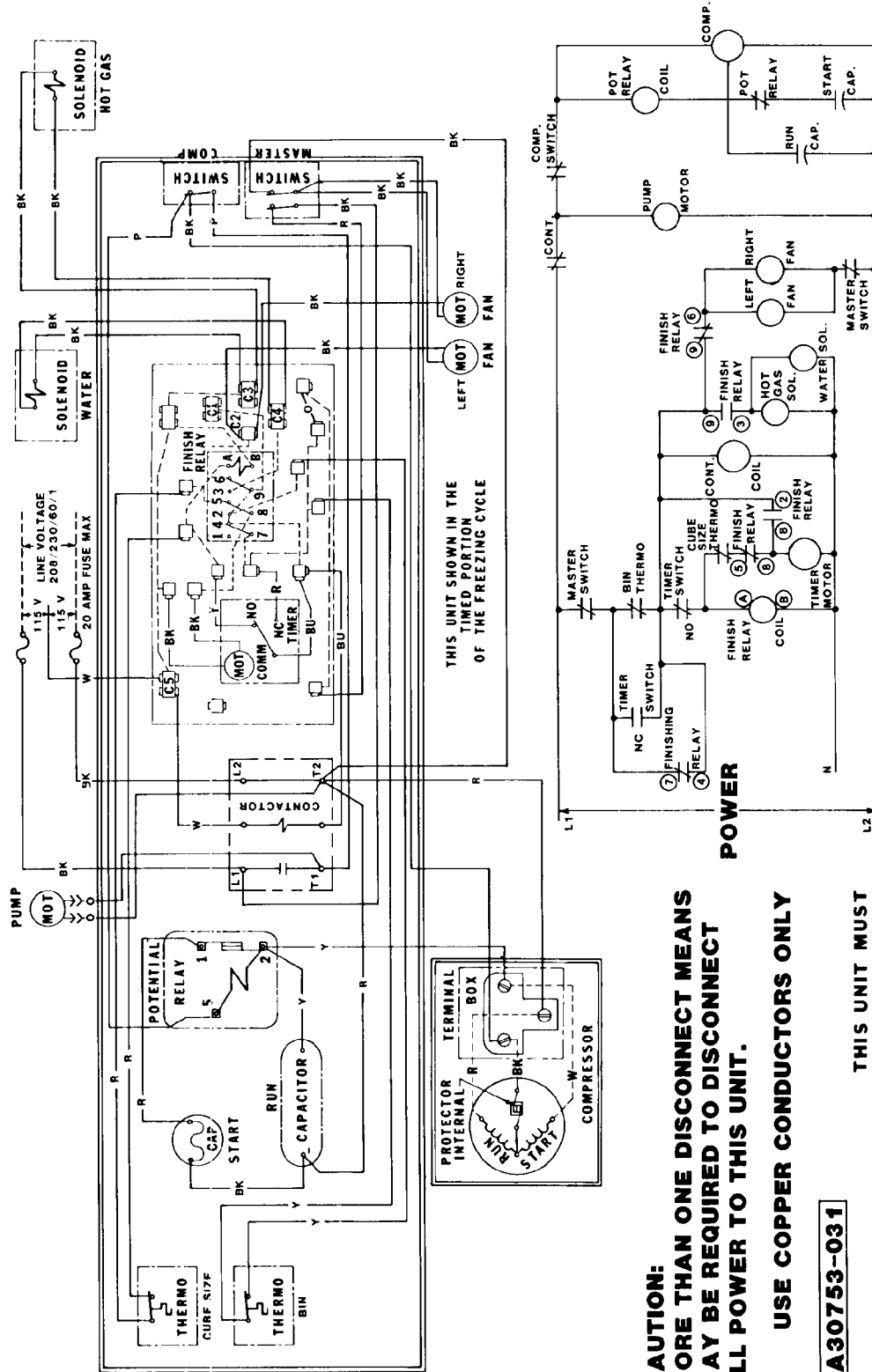
Wiring Diagram CM1200AE-9C Air-Cooled

CM1200C WIRING DIAGRAM



Wiring Diagram CM1200WE-9C Water-Cooled

CM1200C WIRING DIAGRAM



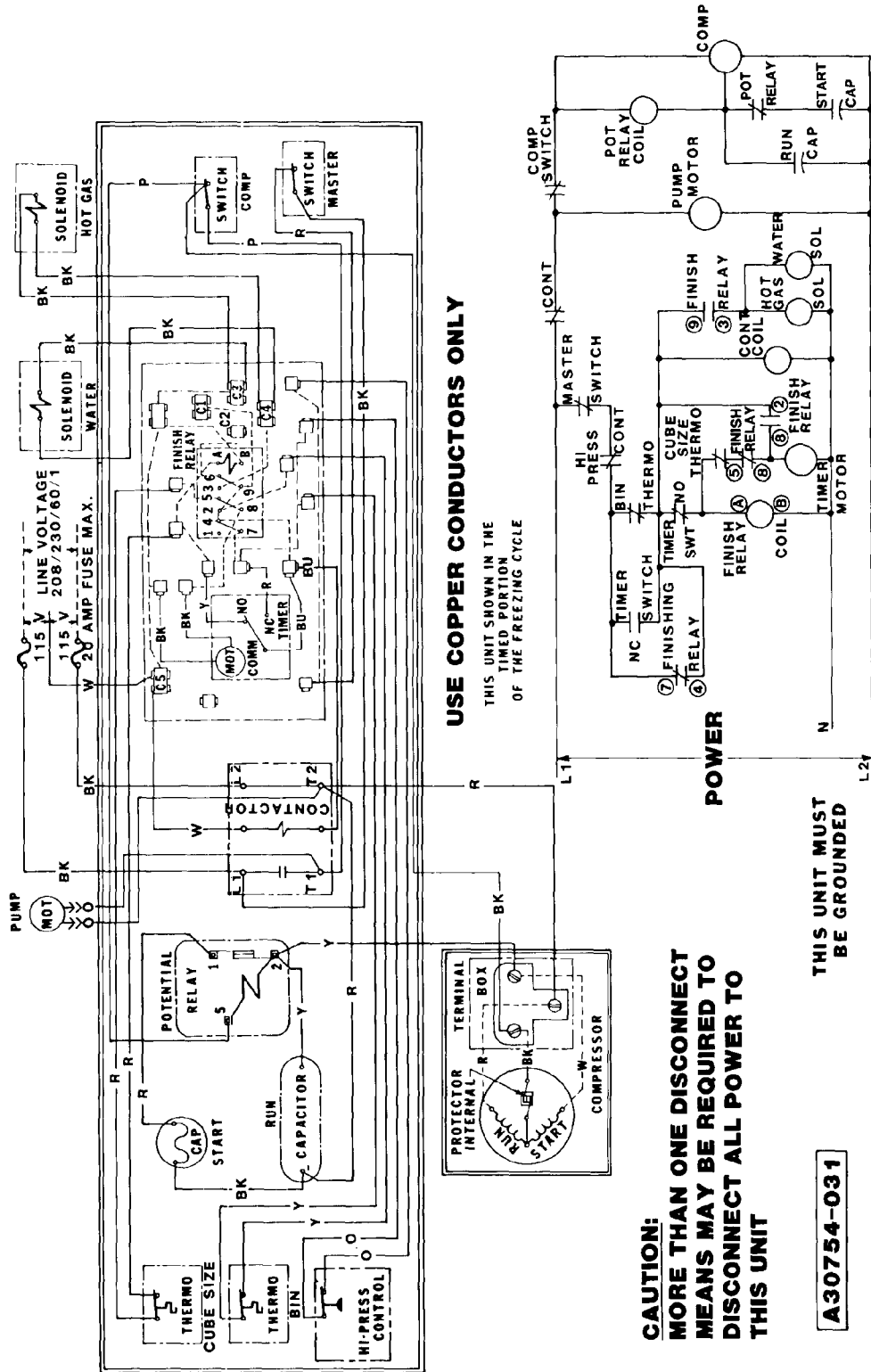
CAUTION:
MORE THAN ONE DISCONNECT MEANS
MAY BE REQUIRED TO DISCONNECT
ALL POWER TO THIS UNIT.

USE COPPER CONDUCTORS ONLY

A30753-031

**THIS UNIT MUST
BE GROUNDED**

CM1200C WIRING DIAGRAM



Wiring Diagram CM1200WE-31C Water-Cooled