



PLACAS DE GRELHAR A GÁS



PGF 300



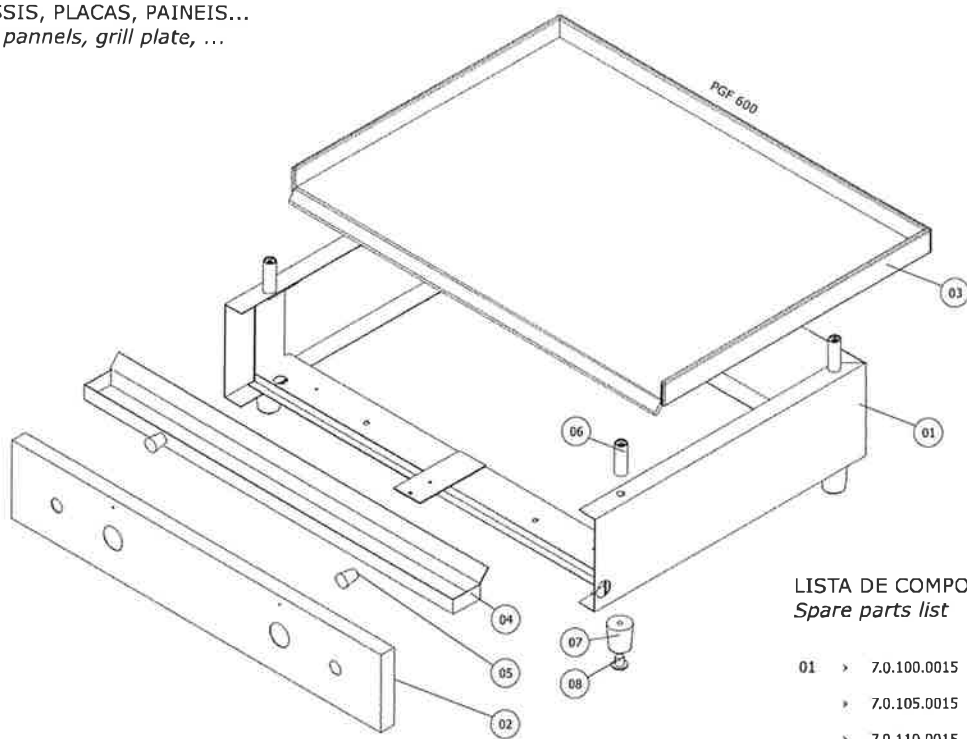
PGF 600



PGF 800

	PGF 300	PGF 600	PGF 800
> LPH (mm)	320x490X230	630x490x230	840X490X230
<i>LPH (mm)</i>			
> DIM. DA PLACA (LP mm)	300X400	600x400	800x400
<i>Plate dimensions (mm)</i>			
> PLACA (CHAPA DE AÇO)	6mm	6mm	6mm
<i>Steel plate</i>			
> QUEIMADORES (EM AÇO INOX)	1	2	3
<i>Stainless steel burners</i>			
> ISQUEIRO PARA QUEIMADOR	1	2	3
<i>Burners with individual lighter</i>			
> POTÊNCIA (Kw)	2,75(G20)	5,5(G20)	8,25(G20)
<i>Power</i>	2,35(G10)	4,7(G30)	7(G30)
	2,35(G30)	4,7(G31)	7(G31)

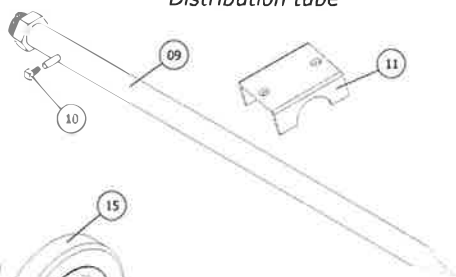
CHASSIS, PLACAS, PAINEIS...
Body pannels, grill plate, ...



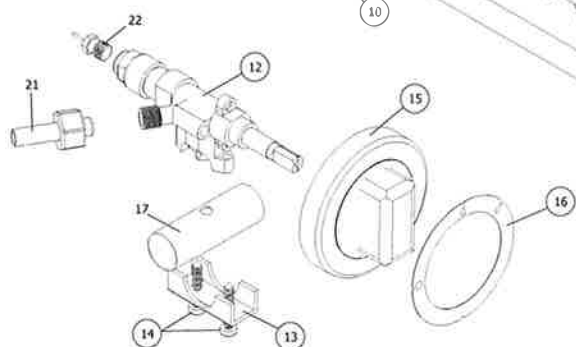
LISTA DE COMPONENTES E ACESSÓRIOS
Spare parts list

- 01 > 7.0.100.0015 CHASSI CONJUNTO PGF 300
Body pannels ass. PGF 300
- > 7.0.105.0015 CHASSI CONJUNTO PGF 600
Body pannels ass. PGF 600
- > 7.0.110.0015 CHASSI CONJUNTO PGF 800
Body pannels ass. PGF 800
- 02 > 7.0.100.0060 PAINEL FRONTAL PGF 300
Front pannel PGF 300
- > 7.0.105.0060 PAINEL FRONTAL PGF 600
Front pannel PGF 600
- > 7.0.110.0060 PAINEL FRONTAL PGF 800
Front pannel PGF 800
- 03 > 7.0.100.0005 PLACA GRELHAR CONJUNTO PGF 300
Grill plate ass. PGF 300
- > 7.0.105.0005 PLACA GRELHAR CONJUNTO PGF 600
Grill plate ass. PGF 600
- > 7.0.110.0005 PLACA GRELHAR CONJUNTO PGF 800
Grill plate ass. PGF 800
- 04 > 7.0.100.0110 MOLHEIRA PGF 300
Drain tray PGF 300
- > 7.0.105.0110 MOLHEIRA PGF 600
Drain tray PGF 600
- > 7.0.110.0110 MOLHEIRA PGF 800
Drain tray PGF 800
- 05 > 4.0.085.0027 MANIPULO
Handle
- 06 > 7.0.100.0095 CASQUILHO SUPORTE PLACA ZINC. PGF
Zinc plaque support PGF
- 07 > 4.0.066.0087 PÉS PARA GRELHADOR
Gas grill plate feet
- 08 > 4.0.000.0878 ANTIDERRAPANTE PARA PÉS
Adherent rubber for machine's feet
- 09 > 7.0.100.0065 TUBO DISTRIBUIÇÃO ZINC. PGF 300
Zinc distribution tube PGF 300
- > 7.0.105.0065 TUBO DISTRIBUIÇÃO ZINC. PGF 600
Zinc distribution tube PGF 600
- > 7.0.110.0065 TUBO DISTRIBUIÇÃO ZINC. PGF 800
Zinc distribution tube PGF 800
- 10 > 7.0.100.0080 PARAFUSO ESPECIAL PGF
PGF special screw
- 11 > 7.0.100.0050 FIXADOR TUBO DISTRIB. PGF
Distribution tube fastener
- 12 > 4.0.100.0030 TORNEIRA 1 VIA C/ SEG. PGF
1 way tap with security valve
- 13 > 4.0.100.0035 ABRAÇADEIRA TORNEIRA PGF
Tap clamp
- 14 > 4.0.100.0040 PARAFUSO ABRAÇADEIRA TORN. PGF
Screw for tap clamp
- 15 > 4.0.100.0005 MANIPULO TORNEIRA PGF
Tap handle
- 16 > 4.0.100.0010 AUTOCOLANTE MANIPULO TORNEIRA PGF
Tap handle sticker
- 17 > 7.0.100.0105 QUEIMADOR CONJUNTO PGF
Burner ass. PGF
- 18 > 7.0.100.0045 SUPORTE QUEIMADOR PGF
Burner support
- 19 > 4.0.100.0060 INJECTOR 0,8 PGF
Injector 0,8 PGF
- > 4.0.100.0065 INJECTOR 1,2 PGF
Injector 1,2 PGF
- 20 > 7.0.100.0085 PORCA REGULACÃO AR ZINC. PGF
Air regulation nut
- 21 > 4.0.100.0085 TUBO LIGAÇÃO TORNEIRA INJECTOR PGF
Connection tube tap / injector
- 22 > 4.0.100.0055 TERMOPAR PGF
Thermopar
- 23 > 4.0.100.0056 PORCA M8 TERMOPAR PGF
Nut M8
- 24 > 4.0.100.0070 ISQUEIRO PGF
Lighter
- 25 > 4.0.100.0075 VELA ISQUEIRO PGF
Ignition pilot

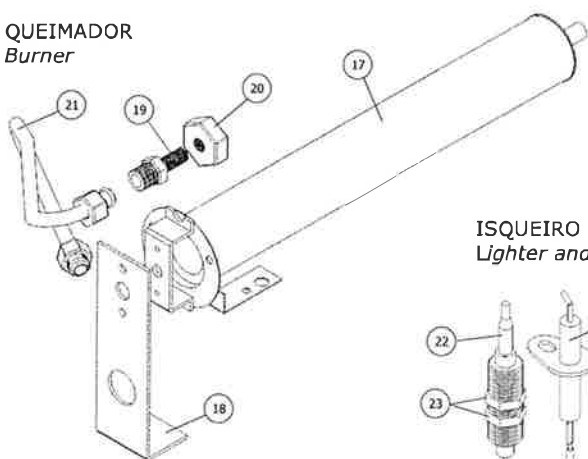
TUBO DE DISTRIBUIÇÃO
Distribution tube



TORNEIRA E MANIPULO
Tap and handle



QUEIMADOR
Burner



ISQUEIRO E TERMOPAR
Lighter and termopar

