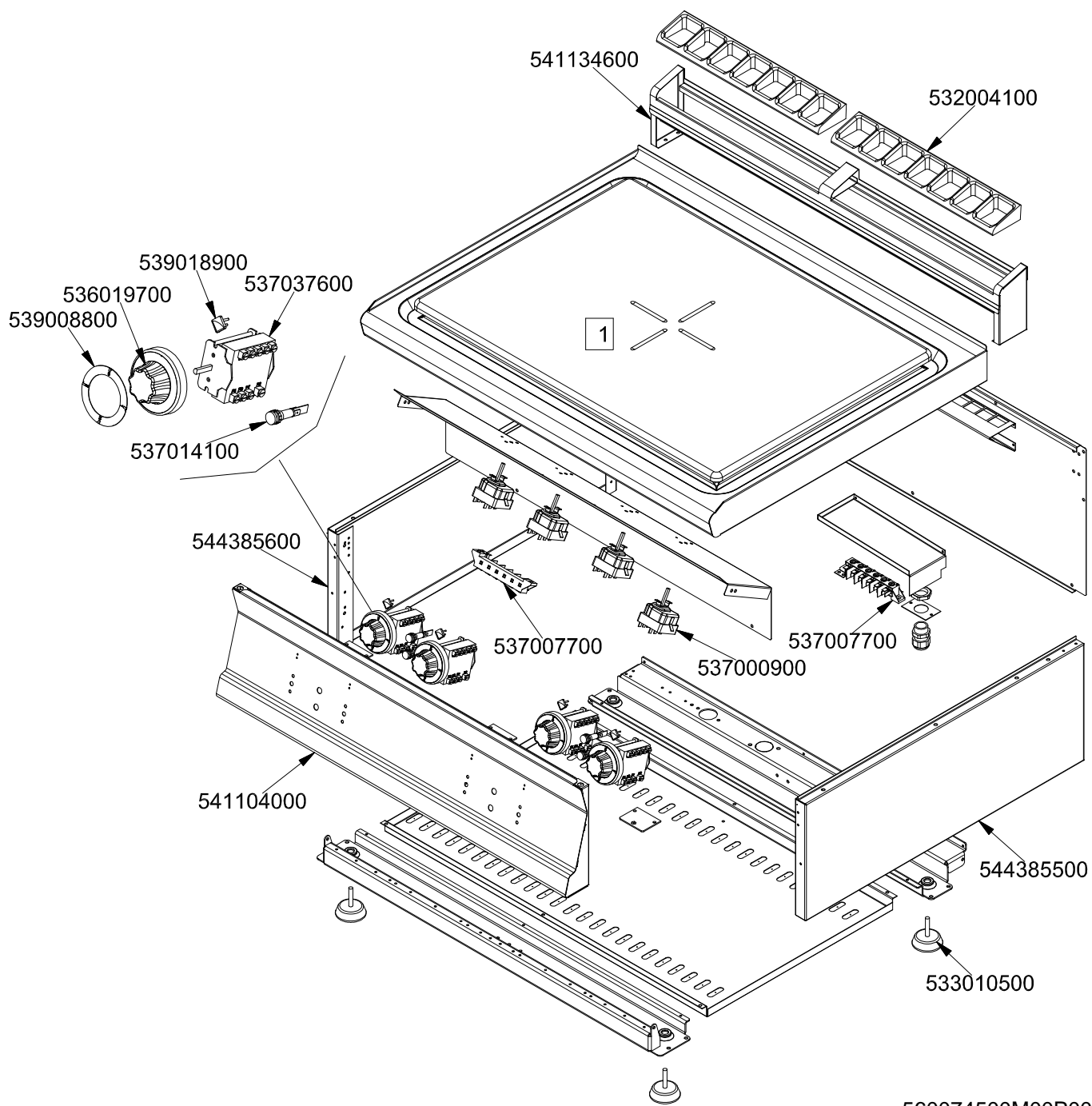


# SUPERLOTUS 70 TOP

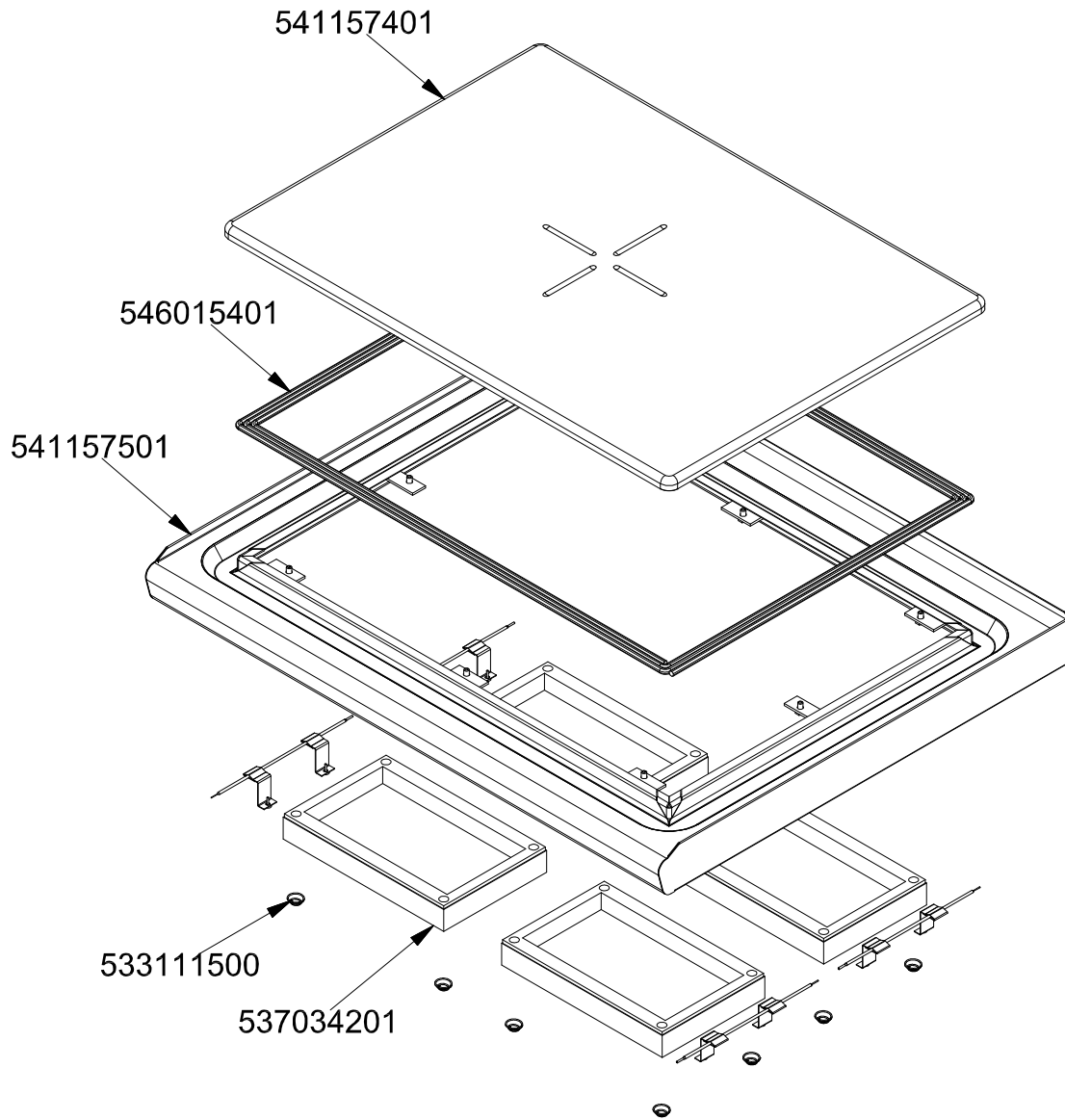
ELETTRICO / ELECTRIC / ELEKTRO / ELECTRIQUE

TPT-78ET

|   |     |
|---|-----|
|   | 1   |
| Vedi Pagina<br>See Page<br>Siehe Seite<br>Voir Page<br>Ver Página | 274 |



**TPT-ET**



560074800M00P00.

| Page | Pos | Code      | Description                        |
|------|-----|-----------|------------------------------------|
| 001  |     | 541134600 | LOW SPACER 78 2 GRIDS              |
| 001  |     | 532004100 | FLUE GRID L=370 70LINE (RAF)       |
| 001  |     | 537037600 | COMMUTATOR 4 POS.3PHASE S.43 32A   |
| 001  |     | 539018900 | INDEX FOR KNOB                     |
| 001  |     | 536019700 | BLACK KNOB §70 PIN §6*5            |
| 001  |     | 539008800 | ADHESIVE GRAD.DISC 4POS.CPT-ET RED |
| 001  |     | 537014100 | WHITE WARNING LIGHT 250V           |
| 001  |     | 544385600 | LEFT SIDE OF 70T LINE              |
| 001  |     | 537007700 | TERMINAL BLOCK THREEPHASE 40A      |
| 001  |     | 537000900 | THERMOSTAT 50-320°C THREEPHASE     |
| 001  |     | 541104000 | CONTROL PANEL PC-78E               |
| 001  |     | 544385500 | RIGHT SIDE OF 70T LINE             |
| 001  |     | 533010500 | LEG M10*25 D.40                    |
| 002  |     | 541157401 | PLATE TP-78E                       |
| 002  |     | 546015401 |                                    |
| 002  |     | 541157501 | UPPER PLATE TP-78E                 |
| 002  |     | 533111500 | COIL SPRING INTØ7X18XØFILO1 H=10   |
| 002  |     | 537034201 | EL. PLATE 160X250 2500W230V        |