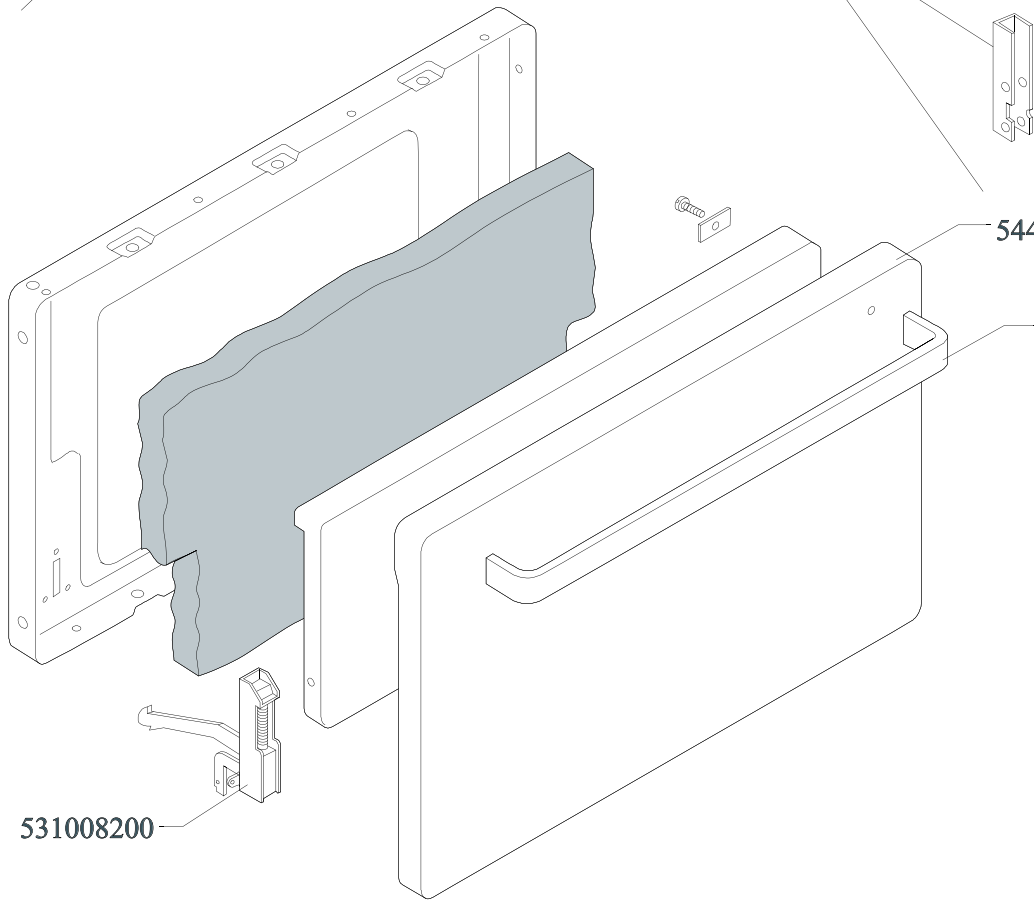


|                               | *         | **        |
|-------------------------------|-----------|-----------|
| G30- 28+30mbar<br>G31- 37mbar | 531024700 | 533068900 |
| G30- 50mbar                   | 531031800 | 533045900 |
| G20- 20mbar<br>G25- 25mbar    | 531024700 | 533068900 |
| G25- 20mbar                   | 531031800 | 533045900 |
| G25- 25mbar NL                | 531024700 | 533068900 |

|                               | ***       | ****      |
|-------------------------------|-----------|-----------|
| G30- 28+30mbar<br>G31- 37mbar | 533013100 | 533013900 |
| G30- 50mbar                   | 533013000 | 533013100 |
| G20- 20mbar<br>G25- 25mbar    | 533013200 | 533013400 |
| G25- 20mbar                   | 533013300 | 533013500 |
| G25- 25mbar NL                | 533014000 | 533050100 |

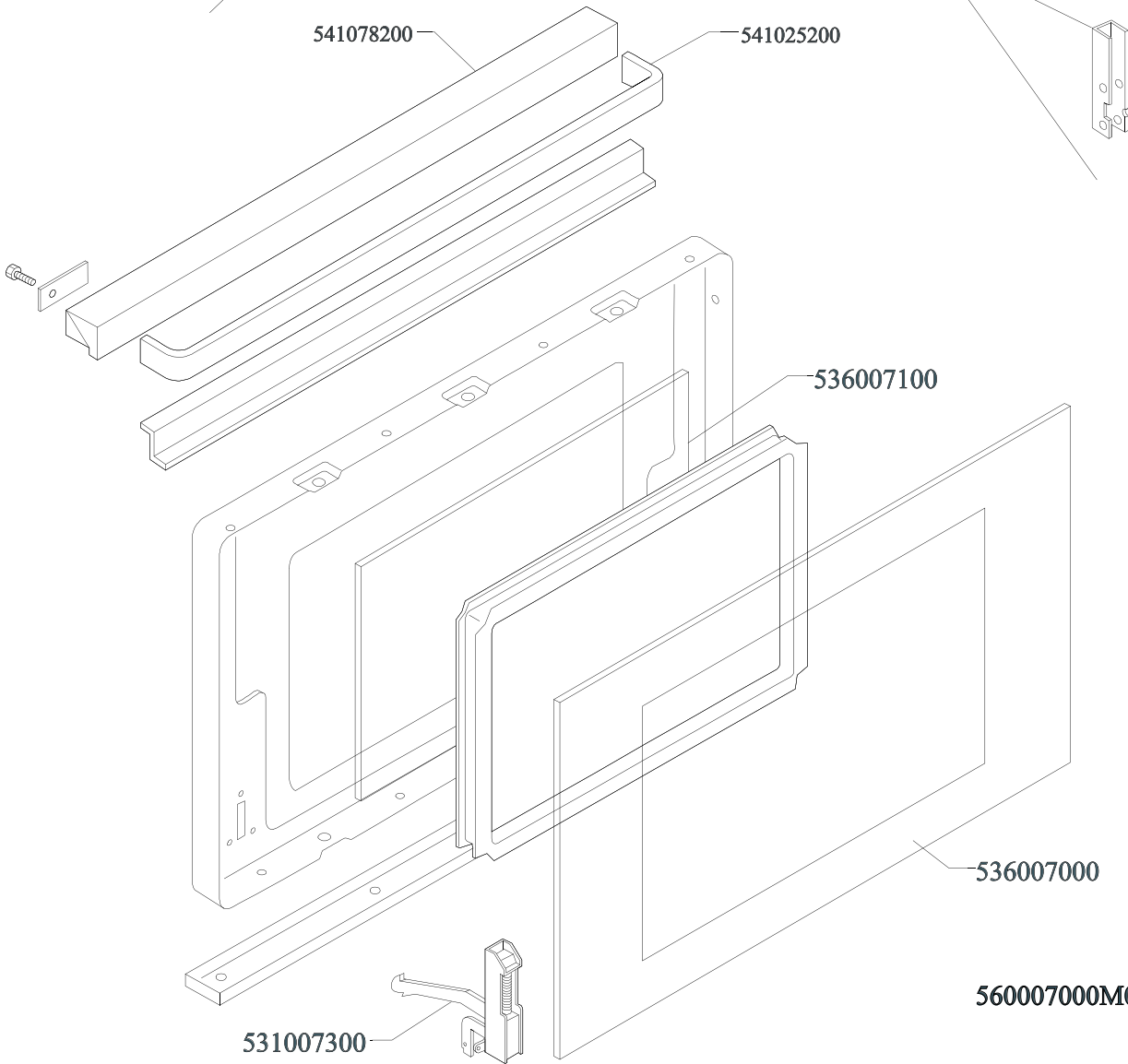
531031200

531007900

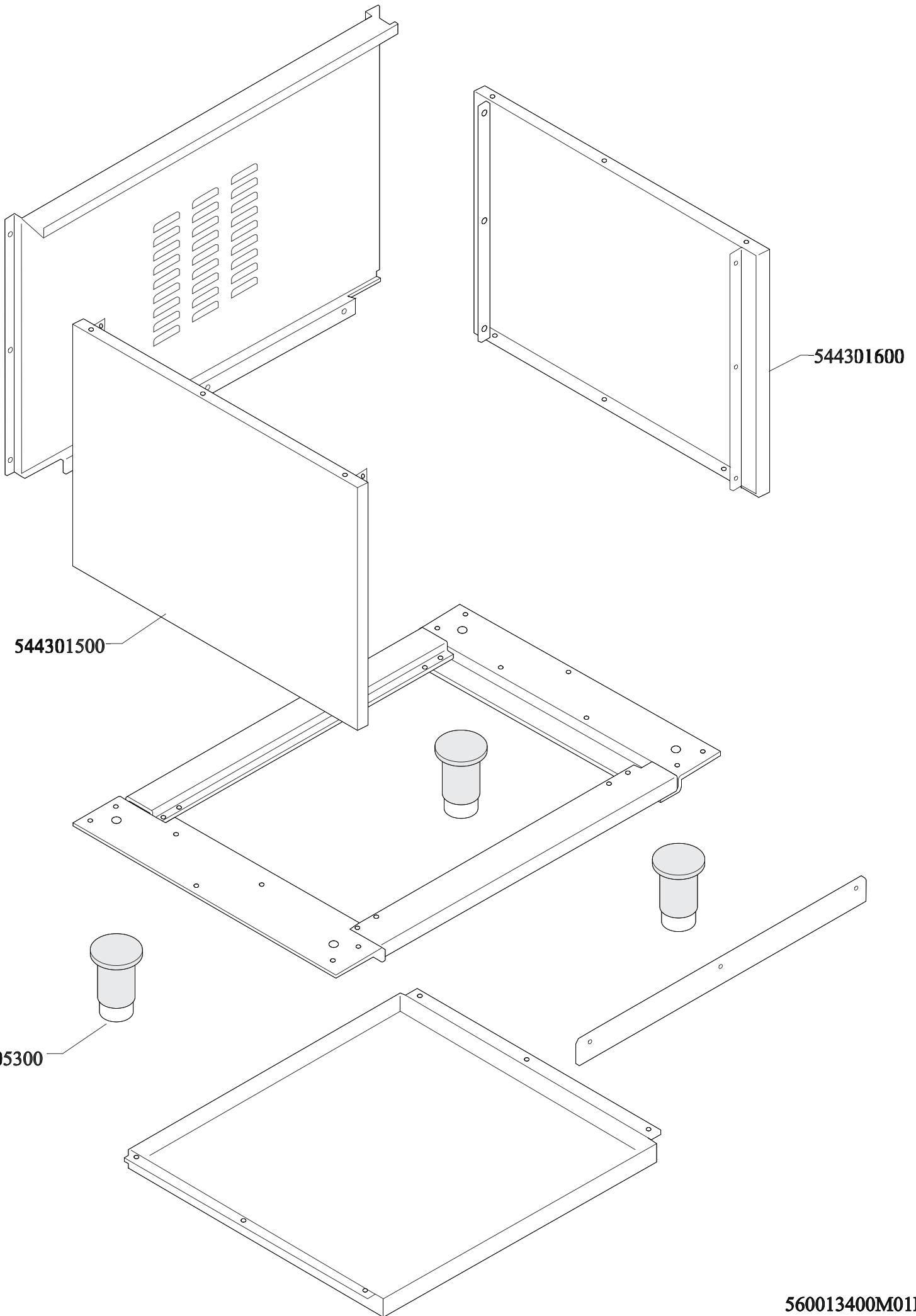


531031300

531012400



560007000M01P00



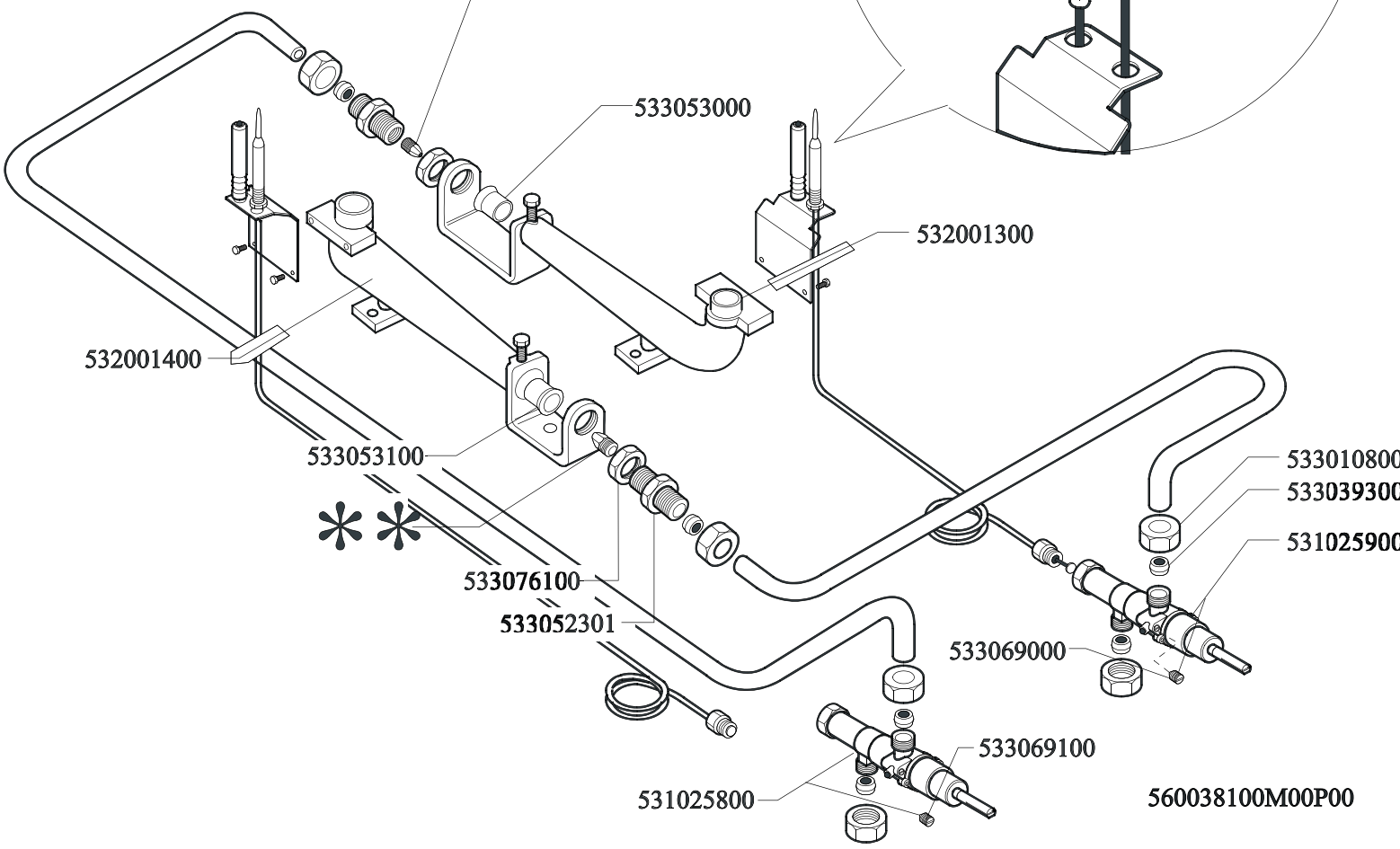
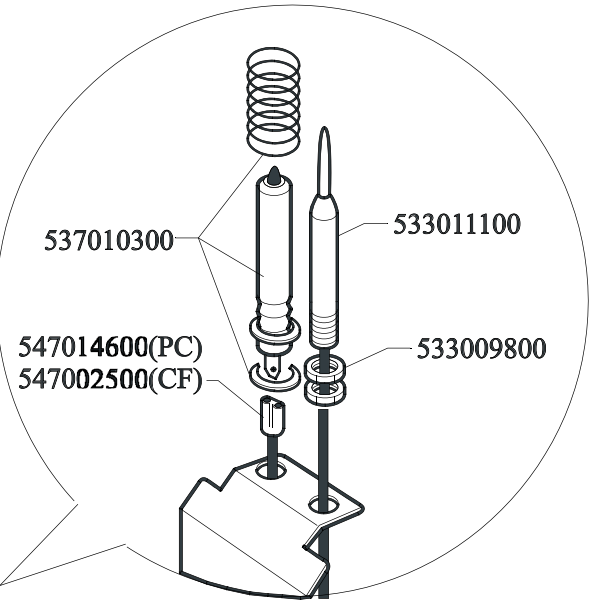
|                               | *         | **        |
|-------------------------------|-----------|-----------|
| G30- 28+30mbar<br>G31- 37mbar | 533015400 | 533043400 |
| G30- 50mbar                   | 533015300 | 533043300 |
| G20- 20mbar<br>G25- 25mbar    | 533015200 | 533019400 |
| G25- 20mbar                   | 533030300 | 533043600 |
| G25- 25mbar NL                | 533014900 | 533043500 |

532001800 ≤ 09040565 (PC)  
532001800 ≤ 09040821 (CF)  
532006500 ≥ 09040566 (PC)  
532006500 ≥ 09040822 (CF)

532001700 ≤ 09040565 (PC)  
532001700 ≤ 09040821 (CF)  
532006400 ≥ 09040566 (PC)  
532006400 ≥ 09040822 (CF)

532006700

532006600



| Page | Pos | Code      | Description                         |
|------|-----|-----------|-------------------------------------|
| 001  |     | 531020300 | FLUE GRID 400"S65"                  |
| 001  |     | 541072900 | PERFORATED SPACER 8                 |
| 001  |     | 533009200 | REDUCTION GRATE FOR 65-70LINES+FO   |
| 001  |     | 532002300 | 1 FLAME GRILL 346X274 (70           |
| 001  |     | 532005901 | 1 FLAME GRILL 340X270 (65) * RAF    |
| 001  |     | 544288900 | UPPER PLATE PC-8G                   |
| 001  |     | 544263500 | RIGHT SIDE S.65                     |
| 001  |     | 544300800 | ENAMELLED BURNER DRIP PAN 1/1       |
| 001  |     | 544498800 | BURNERS BASIN OF PC GN1/1 SM.N.RAF  |
| 001  |     | 544498801 |                                     |
| 001  |     | 544293800 | CONTROL PANEL CF4-8G                |
| 001  |     | 539018900 | INDEX FOR KNOB W/RED SIGN           |
| 001  |     | 536017100 | BLACK KNOB §70 PIN §8*6,5           |
| 001  |     | 539022500 | ADHESIVE GRADUATED DISC FOR KNOB    |
| 001  |     | 537007600 | TERMINAL BLOCK SINGLEPHASE 40A      |
| 001  |     | 544263600 | LEFT SIDE S.65                      |
| 001  |     | 537015600 | BIPOLAR SWITCH                      |
| 001  |     | 537005600 | 6 FLAME IGNITION CONTROL BOX V230   |
| 001  |     | 537005601 | 6 FLAME IGNITION CONTROL BOX V230   |
| 002  |     | 539018800 | BLANK INDEX FOR KNOB                |
| 002  |     | 539023800 | LABEL FOR OVEN TIMER                |
| 002  |     | 539023900 | SIGN PLATE FOR OVEN TEMPERATURE     |
| 002  |     | 533026400 | ELBOW FOR BICONE D.8 M13X1          |
| 002  |     | 533016100 | BICONE D.8                          |
| 002  |     | 531024800 | TIMER 120' - 360°                   |
| 002  |     | 536013800 | KNOB D.70 BLACK 6*5 WITH SPRING     |
| 002  |     | 539023600 | ADHESIVE GRADUATED DISC FOR KNOB    |
| 002  |     | 533017000 | THREARED FITTING FOR BICONE 8S      |
| 002  |     | 533016600 | BICONE §8 H.6 SABAF DIS.688         |
| 002  |     | 536017100 | BLACK KNOB §70 PIN §8*6,5           |
| 002  |     | 539023200 | ADHESIVE GRADUATED MAXI GAS STAT.OV |
| 002  |     | 536000801 | EXTERNAL GASKET DIS.174-1           |
| 002  |     | 533018100 | BRIDLE D.21                         |
| 002  |     | 537015500 | REDLIGHTED SWITCH                   |
| 002  |     | 531010000 | GRILL BURNER CF                     |
| 002  |     | 533016200 | FITTING FOR BICONE §8               |
| 002  |     | 533009800 | BRASS NUT M8*1                      |
| 002  |     | 533017500 | VENTURI BUSHING FOR OVEN BURNER     |
| 002  |     | 533011800 | THERMOCOUPLE 1200 M8*1              |
| 002  |     | 547010500 | HIGH-VOLTAGE CABLE F.2,8X0,8-F.2,8X |
| 002  |     | 531009900 | OVEN BURNER CF                      |
| 002  |     | 537002000 | OVEN PLUG + SPRING                  |
| 002  |     | 533053700 | THREADED THERMOCOUPLE 1500 M8*1     |
| 002  |     | 534009100 | GRILL PROTECTION CF-8/10            |
| 002  |     | 537007900 | OVEN BULB-SOCKET WITH LAMP          |
| 002  |     | 537005400 | OVEN BULB 15W 300°C                 |
| 002  |     | 536011300 | OVEN GASKET 65/60 *OLD MODEL*       |
| 002  |     | 531006700 | OVEN GRID FOR CF-8/10               |
| 002  |     | 531013600 | SIDE GRID FOR MAXI/VENTILATED OVEN  |
| 002  |     | 534002200 | OVEN DRIPPING-PAN CF-8/10           |
| 002  |     | 534009200 | MAXI GAS OVEN BOTTOM                |

| Page | Pos | Code      | Description                         |
|------|-----|-----------|-------------------------------------|
| 002  |     | 531024700 | THERMOSTATIC TAP + VALVE CF-65 BP40 |
| 002  |     | 531031800 | BY-PASS §35 SAFETY COCK CF65        |
| 002  |     | 533068900 | §40 BY-PASS COCK FOR OVEN CF60/65   |
| 002  |     | 533045900 | §35 BY-PASS THERMOSTATIC TAP        |
| 002  |     | 533013100 | NOZZLE §100 CH7*8,8 G-OVEN F-GRILL  |
| 002  |     | 533013000 | NOZZLE §88 CH7*8,8 F-OVEN           |
| 002  |     | 533013200 | NOZZLE §155 CH7*8,8 MH-OVEN         |
| 002  |     | 533013300 | NOZZLE §170 CH7*8,8 AARDGAS-OVEN+G  |
| 002  |     | 533014000 | NOZZLE §160 CH7*8,8 MH-FOUR+GRILL   |
| 002  |     | 533013900 | NOZZLE §115 G30 FOR GRILL           |
| 002  |     | 533013400 | NOZZLE §175 CH7*8,8 MH-GRILL        |
| 002  |     | 533013500 | NOZZLE §195 CH7*8,8 L-GRILL         |
| 002  |     | 533050100 | NOZZLE §185 CH7*8,8 GRILL AARDGAS L |
| 003  |     | 531031200 | COMPLETE STAINLESS STEEL OVEN DOOR  |
| 003  |     | 531007900 | STAINLESS STEEL DOOR WHEEL HOLDER   |
| 003  |     | 544301300 | STAINLESS STEEL OVEN DOOR PANEL 65  |
| 003  |     | 541025200 | STAINLESS STEEL OVEN DOOR HANDLE    |
| 003  |     | 531008200 | STAINLESS STEEL DOOR HINGE CF-8/10  |
| 003  |     | 531031300 | COMPLETE GLASS OVEN DOOR 65LINE     |
| 003  |     | 531012400 | GLASS DOOR WHEEL HOLDER CF-8/10     |
| 003  |     | 541078200 | HANDLE SUPPORT GLASS DOOR CF-65     |
| 003  |     | 536007100 | INTERNAL GLASS OVEN DOOR CF-8/10    |
| 003  |     | 536007000 | EXTERNAL GLASS OVEN DOOR CF8/10     |
| 003  |     | 531007300 | GLASS DOOR HINGE CF-8/10            |
| 004  |     | 544301600 | RIGHT SIDE FOR 65 RANGE             |
| 004  |     | 544301500 | LEFT SIDE FOR 65 RANGE              |
| 004  |     | 536005300 | PLASTIC LED 2"                      |
| 005  |     | 532001700 | QUICKBURNER §82                     |
| 005  |     | 532006400 | QUICKBURNER 2 RING Ø082 3 Z         |
| 005  |     | 532001800 | QUICKBURNER §102                    |
| 005  |     | 532006500 | QUICKBURNER 2 RING Ø102 3 Z         |
| 005  |     | 547002500 | HIGH-VOLT.WIRE 2,8X0,5 F2,8X0,8L600 |
| 005  |     | 532006700 | BURNER BODY 5,5 KW WITH PLUG        |
| 005  |     | 532006600 | BURNER BODY 3,5 KW WITH PLUG        |
| 005  |     | 533011100 | THERMOCOUPLE 750 M8*1               |
| 005  |     | 537010300 | IGNITION PLUG WITH SPRING PC65      |
| 005  |     | 533053000 | AIR ADJUSTMENT BUSHING §18          |
| 005  |     | 532001300 | BURNER VENTURI 3,5 KW               |
| 005  |     | 532001400 | BURNER VENTURI 5,5 KW               |
| 005  |     | 533053100 | AIR ADJUSTMENT BUSHING §20          |
| 005  |     | 533076100 | HEXAGONAL NUT M14X1 H4 + BUSHING    |
| 005  |     | 533052301 | JOINT FOR NOZZLE HOLDER             |
| 005  |     | 533010800 | TUBE NUT D.10 M16*1,5               |
| 005  |     | 533039300 | BICONE §10                          |
| 005  |     | 531025900 | SAFETY TAP 20S-B PEL20S21070        |
| 005  |     | 533069000 | BY PASS COCK §70 20S-21S            |
| 005  |     | 533069100 | BY PASS COCK §60 20S                |
| 005  |     | 531025800 | SAFETY TAP 20S-B PEL20S2160         |
| 005  |     | 533015400 | NOZZLE §93 CH12*14 G-PC4 R          |
| 005  |     | 533015300 | NOZZLE §82 CH12*14 F-PC4 R          |
| 005  |     | 533015200 | NOZZLE §145 CH12*14 F-FP/CP6        |

| <b>Page</b> | <b>Pos</b> | <b>Code</b> | <b>Description</b>              |
|-------------|------------|-------------|---------------------------------|
| 005         |            | 533030300   | NOZZLE §160 CH12*14 M-FPG       |
| 005         |            | 533014900   | NOZZLE §150 CH12*14 F-FQ5 L-FQ6 |
| 005         |            | 533043400   | NOZZLE §117 CH12*14 G-PC4 UR    |
| 005         |            | 533043300   | NOZZLE §103 CH12*14 F-PC4 UR    |
| 005         |            | 533019400   | NOZZLE §180 CH12*14 L-FQ5       |
| 005         |            | 533043600   | NOZZLE §200 CH12*14 L-PC4 UR    |
| 005         |            | 533043500   | NOZZLE §190 CH12*14 G25 PC4R    |