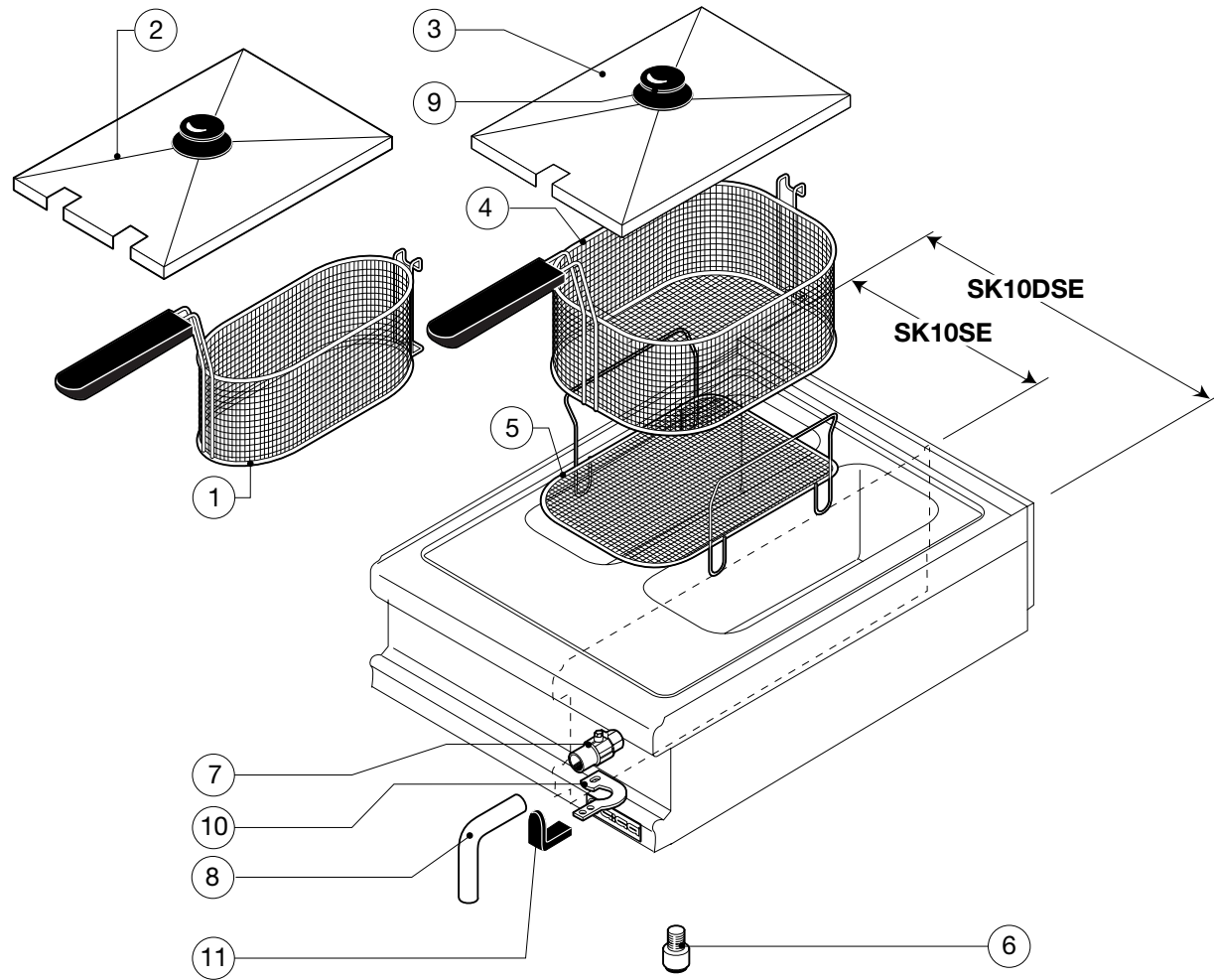


| Pezzi/Pieces<br>Pieces/Anzahl |         | Pos. | Validit' dalla<br>matricola<br>Validit' du<br>num ro matricule<br>Validity from<br>serial number<br>Gültigkeit ab der<br>(Seriennummer) | Validit' alla<br>matricola<br>Validity up to<br>serial number<br>Validit' au<br>num ro matricule<br>Gültigkeit bis zur<br>(Seriennummer) | Codice<br>Code<br>Artikel<br>Nummer | Descrizione                  | Description              | Description                   | Beschreibung          |
|-------------------------------|---------|------|---|--|-------------------------------------|------------------------------|--------------------------|-------------------------------|-----------------------|
| SK10SE                        | SK10DSE |      |   |  |                                     |                              |                          |                               |                       |
| 1                             | 2       | 1    | 050003851   |  | X63700                              | Gancio appendicesto          | Basket hanger hook       | Crochet pour pendre le panier | Korbauhänghaken       |
| 1                             | 2       | 2    |   |  | X41200                              | Lampada spia arancio         | Orange pilot lamp        | Lampe t moin orange           | Orange signallampe    |
| 1                             | 2       | 3    | 050003851   |  | 0000Y65002                          | Manopola per termostato      | Knob thermostat          | Cle de commande thermoc.      | Drehknopf thermostat  |
| 1                             | 2       | 4    | 050003851   |  | X50800                              | Interruttore                 | Switch                   | Interrupteur                  | Geräteschalter        |
| 1                             | 2       | 5    |   |  | X49500                              | Termostato di sicurezza      | Safety thermostat        | Thermostat de suret           | Sicherheitsthermostat |
| 1                             | 2       | 6    |   |  | X41800                              | Pressacavo                   | Cable clamp              | Presse à câble                | Kabelpresse           |
| 1                             | 2       | 7    |   |  | X43800                              | Termostato                   | Thermostat               | Thermostat                    | Thermostat            |
| 1                             | 2       | 8    |   |  | M25200                              | Passafilo                    | Cable sleeve             | Passe-fil                     | Drahtdurchführung     |
| 3                             | 6       | 9    |   |  | Y17100                              | Resistenza                   | Resistance               | R sistance                    | Resistenz             |
| 1                             | 2       | 10   |   |  | Y10000                              | Contattore                   | Contactore               | Contacteur                    | Betriebsschutz        |
| 1                             | 2       | 11   |   |  | X52800                              | Microinterruttore            | Microswitch              | Micro-interrupt.              | Mikroschalter         |
| 4                             | 8       | 12   |   |  | M86900                              | Molletta fissaggio capillari | Capillary fastening clip | Ressort fixation capillaire   | Kapillarrohrklemme    |
|                               |         |      |   |  |                                     |                              |                          |                               |                       |



| Pezzi/Pieces<br>Pieces/Anzahl |         | Pos. | Validità dalla<br>matricola<br>Validité du<br>numéro matricule<br>Validity from<br>serial number<br>Gültigkeit ab der<br>(Seriennummer) | Validità alla<br>matricola<br>Validity up to<br>serial number<br>Validité au<br>numéro matricule<br>Gültigkeit bis zur<br>(Seriennummer) | Codice<br>Code<br>Artikel<br>Nummer | Descrizione              | Description             | Description                      | Beschreibung              |
|-------------------------------|---------|------|---|--|-------------------------------------|--------------------------|-------------------------|----------------------------------|---------------------------|
| SK10SE                        | SK10DSE |      |   |  |                                     |                          |                         |                                  |                           |
| 2                             | 4       | 1    |   |  | Y47900*                             | Mezzocesto               | Half basket             | Demi-panier                      | Halbkorb                  |
| 1                             | 2       | 2    |   |  | J21300                              | Coperchio per mezzicesti | Cover for half baskets  | Couvercle à demi-panier          | Deckel für Halbkörbe      |
| 1                             | 2       | 3    |   |  | J21200                              | Coperchio per cesto      | Cover for basket        | Couvercle à panier               | Deckel für Korb           |
| 1                             | 2       | 4    |   |  | Y48000                              | Cesto                    | Basket                  | Panier                           | Korb                      |
| 1                             | 2       | 5    |   |  | Y47800                              | Retina filtro            | Hairnet filter          | Filtre de filet à cheveux        | Filtre DE filet à cheveux |
| 4                             | 4       | 6    |   |  | M06400                              | Piedino                  | Foot                    | Pied                             | Fuss                      |
| 1                             | 2       | 7    |   |  | X15200                              | Rubinetto di scarico     | Outlet tap              | Robinet vidange                  | Ablaufhahn                |
| 1                             | 1       | 8    |   |  | B10700                              | Curva di scarico         | Drain trap              | Courbe d'écoulement              | Ablasswinkelrohr          |
| 1                             | 2       | 9    |   |  | 0000M22100                          | Maniglia per copricesto  | Handle for basket cover | Poignées pour couvercle à panier | Griff für Korbdeckel      |
| 1                             | 2       | 10   |   |  | T30200                              | Leva di scarico          | Drainage lever          | Levier de dechargement           | Auslaßhebel               |
| 1                             | 2       | 11   |   |  | M22200                              | Pomello per levetta      | Knob for handle         | Pommette pour poignée            | Backenknochen für Griff   |