



**SPARE PARTS LIST
CATALOGO RICAMBI
CATALOGUES PIÈCES DÉTACHÉES
ERSATZTEILENKATALOG**

BUL 20

BUL 30

BUL 40

BUL 65

BUL 90

R 134 A

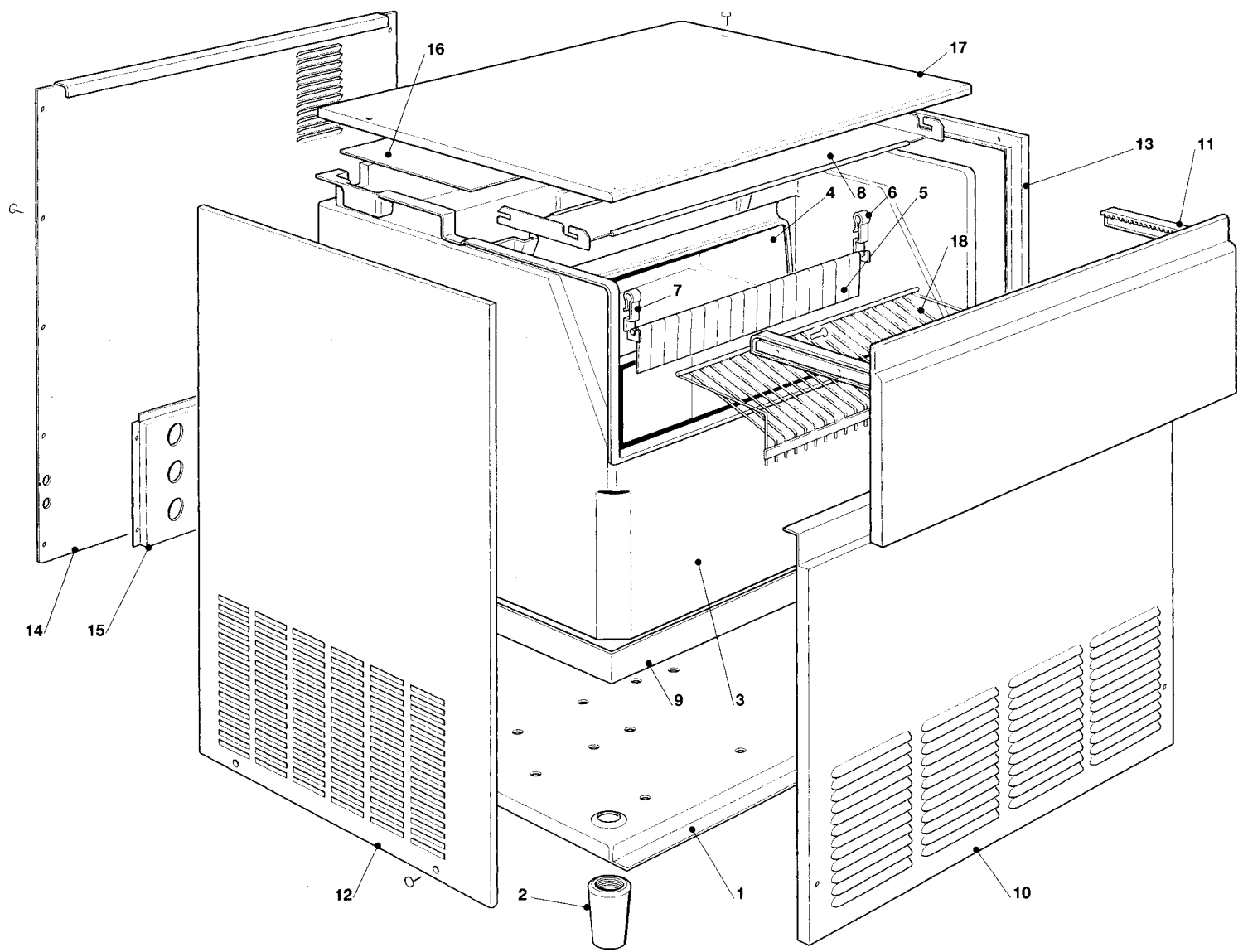
Electronic cubers

**Fabbricatori elettronici di ghiaccio
a cubetti**

Machines á glaçons électroniques

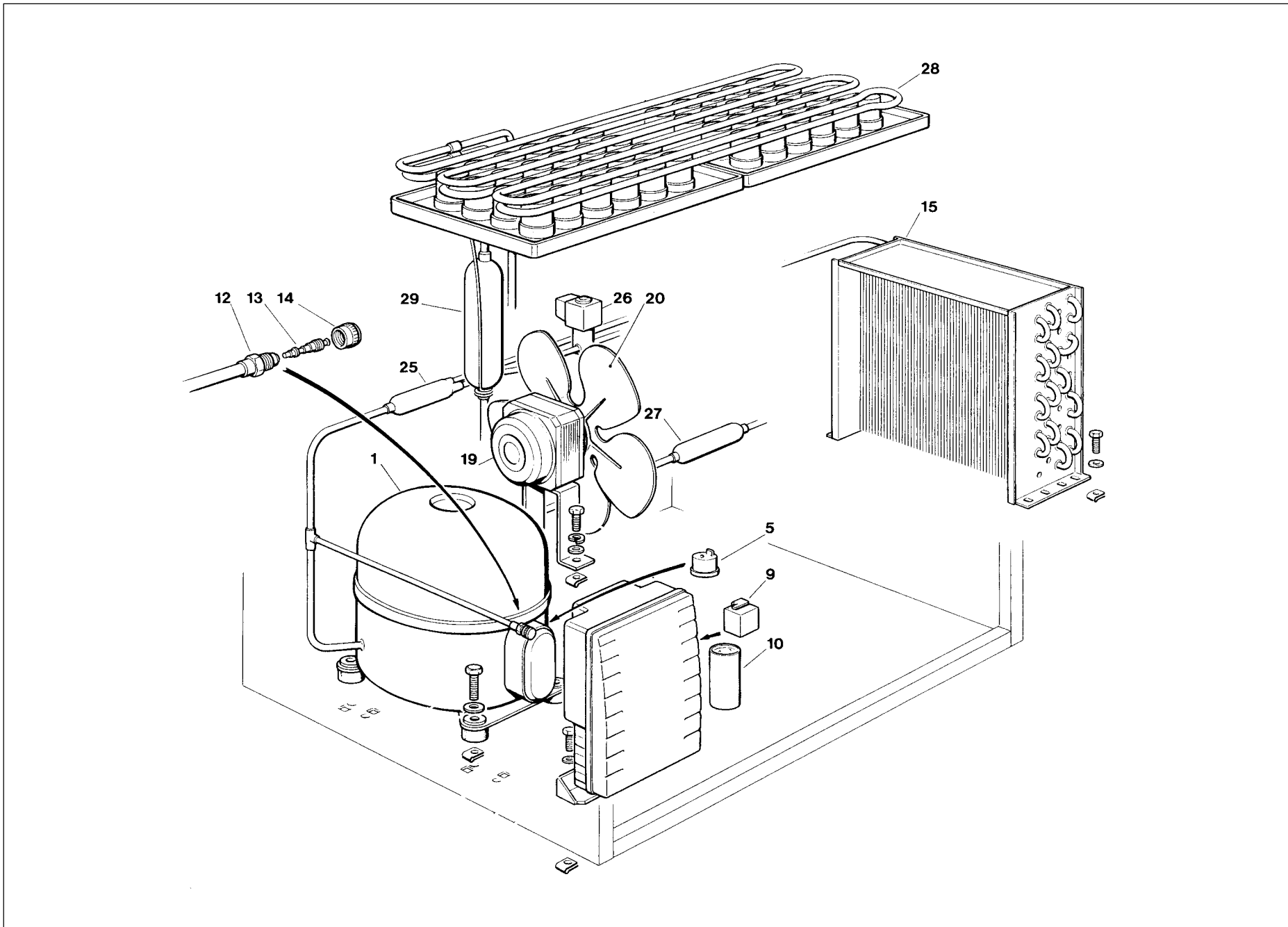
Elektronische Kegeleisbereiter

PAGE PAGINA PAGE SEITE	TABLE OF CONTENTS	INDICE	TABLE DES MATIÈRES	INHALTVERZEICHNIS
1	TABLE OF CONTENTS	INDICE	TABLE DES MATIERES	INHALTVERZEICHNIS
2-3	UNIT PANELS - BUL 20	ASSIEME MOBILE - BUL 20	ENS. CARROSSERIE - BUL 20	MACHINE GEHAUSE - BUL 20
4-5	UNIT PANELS - BUL 30	ASSIEME MOBILE - BUL 30	ENS. CARROSSERIE - BUL 30	MACHINE GEHAUSE - BUL 30
6-7	UNIT PANELS - BUL 40	ASSIEME MOBILE - BUL 40	ENS. CARROSSERIE - BUL 40	MACHINE GEHAUSE - BUL 40
8-9	UNIT PANELS - BUL 65-90	ASSIEME MOBILE - BUL 65-90	ENS. CARROSSERIE - BUL 65-90	MACHINE GEHAUSE - BUL 65-90
10-11	REFRIGERANT SYSTEM AIR COOLED - BUL 20-30-40	SISTEMA REFRIGERANTE RAFFR. AD ARIA - BUL 20-30-40	CIRCUIT FRIGORIFIQUE REFROID. A AIR - BUL 20-30-40	GEFRIERSYSTEM LUFTGEKUEHLT - BUL 20-30-40
12-13	REFRIGERANT SYSTEM AIR COOLED - BUL 65-90	SISTEMA REFRIGERANTE RAFFR. AD ARIA - BUL 65-90	CIRCUIT FRIGORIFIQUE REFROID. A AIR - BUL 65-90	GEFRIERSYSTEM LUFTGEKUEHLT - BUL 65-90
14-15	REFRIGERANT SYSTEM WATER COOLED - BUL 20-30-40	SISTEMA REFRIGERANTE RAFFR. AD ACQUA - BUL 20-30-40	CIRCUIT FRIGORIFIQUE REFROID. A EAU - BUL 20-30-40	GEFRIERSYSTEM WASSERGEKUEHLT - BUL 20-30-40
16-17	REFRIGERANT SYSTEM WATER COOLED - BUL 65-90	SISTEMA REFRIGERANTE RAFFR. AD ACQUA - BUL 65-90	CIRCUIT FRIGORIFIQUE REFROID. A EAU - BUL 65-90	GEFRIERSYSTEM WASSERGEKUEHLT - BUL 65-90
18-19	WATER SYSTEM - BUL 20	CIRCUITO IDRAULICO - BUL 20	CIRCUIT HYDRAULIQUE - BUL 20	WASSER SYSTEM - BUL 20
20-21	WATER SYSTEM - BUL 30	CIRCUITO IDRAULICO - BUL 30	CIRCUIT HYDRAULIQUE - BUL 30	WASSER SYSTEM - BUL 30
22-23	WATER SYSTEM - BUL 40	CIRCUITO IDRAULICO - BUL 40	CIRCUIT HYDRAULIQUE - BUL 40	WASSER SYSTEM - BUL 40
24-25	WATER SYSTEM - BUL 65-90	CIRCUITO IDRAULICO - BUL 65-90	CIRCUIT HYDRAULIQUE - BUL 65-90	WASSER SYSTEM - BUL 65-90
26-27	P.C. BOARD AND SENSOR ASSY - BUL 20-30	SCHEDA ELETTRONICA E SENSORI - BUL 20-30	ENS. CARTE ELECTRONIQUE ET DETECTEURS - BUL 20-30	ELEKTRONISCHE KARTE UND TEMPERRATURFUEHLERENHEIT - BUL 20-30
28-29	P.C. BOARD AND SENSOR ASSY - BUL 40-65-90	SCHEDA ELETTRONICA E SENSORI - BUL 40-65-90	ENS. CARTE ELECTRONIQUE ET DETECTEURS - BUL 40-65-90	ELEKTRONISCHE KARTE UND TEMPERRATUR- FUEHLERENHEIT - BUL 40-65-90



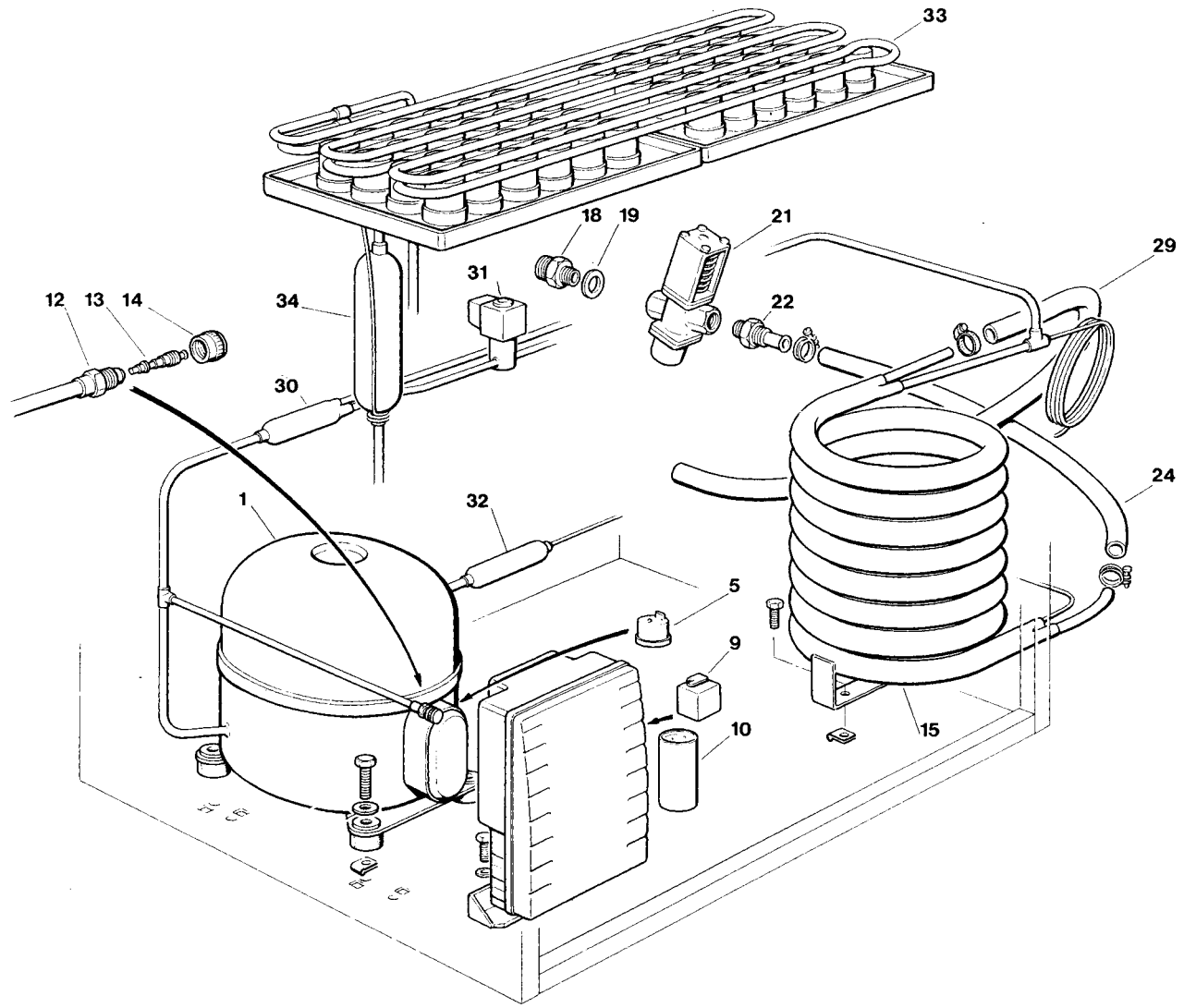
BUL 65 - BUL 90 - UNIT PANELS - ASSIEME MOBILE - ENS. CARROSSERIE - MACHINE GEHAUSE

ITEM NO POS NO REP. NO REF. NO	PART NO CODICE REFERENCE TUECK NR	DESCRIPTION	DESCRIZIONE	DESIGNATION	BESCHREIBUNG
1	781406 02 R	UNIT BASE	BASAMENTO	BASEMENT	CHASSIS RAHMEN
2	660638 00	LEGS	PIEDINI	PIEDS	FUESSE
3-4	782088 02 R	INSULATED STORAGE BIN	CELLA ISOLATA	CABINE STOCKAGE ISOLEE	ISOLIEREISSPEICHER
5	784457 02 R	CURTAIN ASSY	ASSIEME TENDINA	ENSAMBLE RIDEAU	JALOUSIE
6	660388 01	CURTAIN BRACKET RIGHT	SUPPORTO TENDINA DX	SUPPORT RIDEAU DROITE	JALOUSIETRAEGER RECHT
7	660388 00	CURTAIN BRACKET LEFT	SUPPORTO TENDINA SX	SUPPORT RIDEAU GAUCHE	JALOUSIETRAEGER - LINKE
8	721679 00	METAL PLATE	DISTANZIALE IN ACC. INOX	PLAQUE EN ACIER INOX	METALLPLATTE
9	702231 00	METAL BRACKET	SUPPORTO IN METALLO	SUPPORT	METALLTRÄGER
10	721674 01	FRONT PANEL	PANNELLO FRONTALE	PANNEAU AVANT	VORDERWAND
11	782091 04R 660616 00	BIN DOOR ASSY DOOR RACK	ASSIEME SPORTELLA CREMAGLIERA	ENSAMBLE PORTE CABINE CREMAILLIERE	SPEICHERTUER ZAHNSTANGE
12	721642 00	LEFT SIDE PANEL	PANNELLO SX	PANNEAU GAUCHE	LINKE SEITENWAND
13	721643 00	RIGHT SIDE PANEL	PANNELLO DX	PANNEAU DROITE	RECHTE SEITENWAND
14	702201 00	REAR PANEL	PANNELLO POSTERIORE	PANNEAU ARRIERE	RUECKWAND
15	702180 00	METAL BRACKET FOR FITTINGS	SUPPORTO ATTACCHI	SUPPORT DE RACCORDS	METALLTRAEGER
16	741075 01	EVAPORATOR COVER	COPERCHIO EVAPORATORE	COUVERCLE EVAPORATEUR	VERDAMPFERDECKEL
17	781395 15R	TOP PANEL - INSULATED	PANNELLO SUPERIORE - ISOLATO	PANNEAU SUPERIEURE	ABDECKHAUBE
18	650684 01	ICE DEFLECTOR	GRIGLIA SCORRIMENTO CUBETTI	GRILLE GLISSEMENT GLAÇONS	ABGLEITGRILL
*	660528 00	PLASTIC PLUG - RIGHT	TAPPO IN PLASTICA - DX	CAPUCHON EN PLASTIQUE - DROITE	PLASTIKPROPFEN - RECHT
*	660528 01	PLASTIC PLUG - LEFT	TAPPO IN PLASTICA - SX	CAPUCHON EN PLASTIQUE - GAUCHE	PLASTIKPROPFEN - LINK
		* NOT SHOWN	* NON MOSTRATO	* PAS MONTRÉ	* NIGHT ABGEBILDET



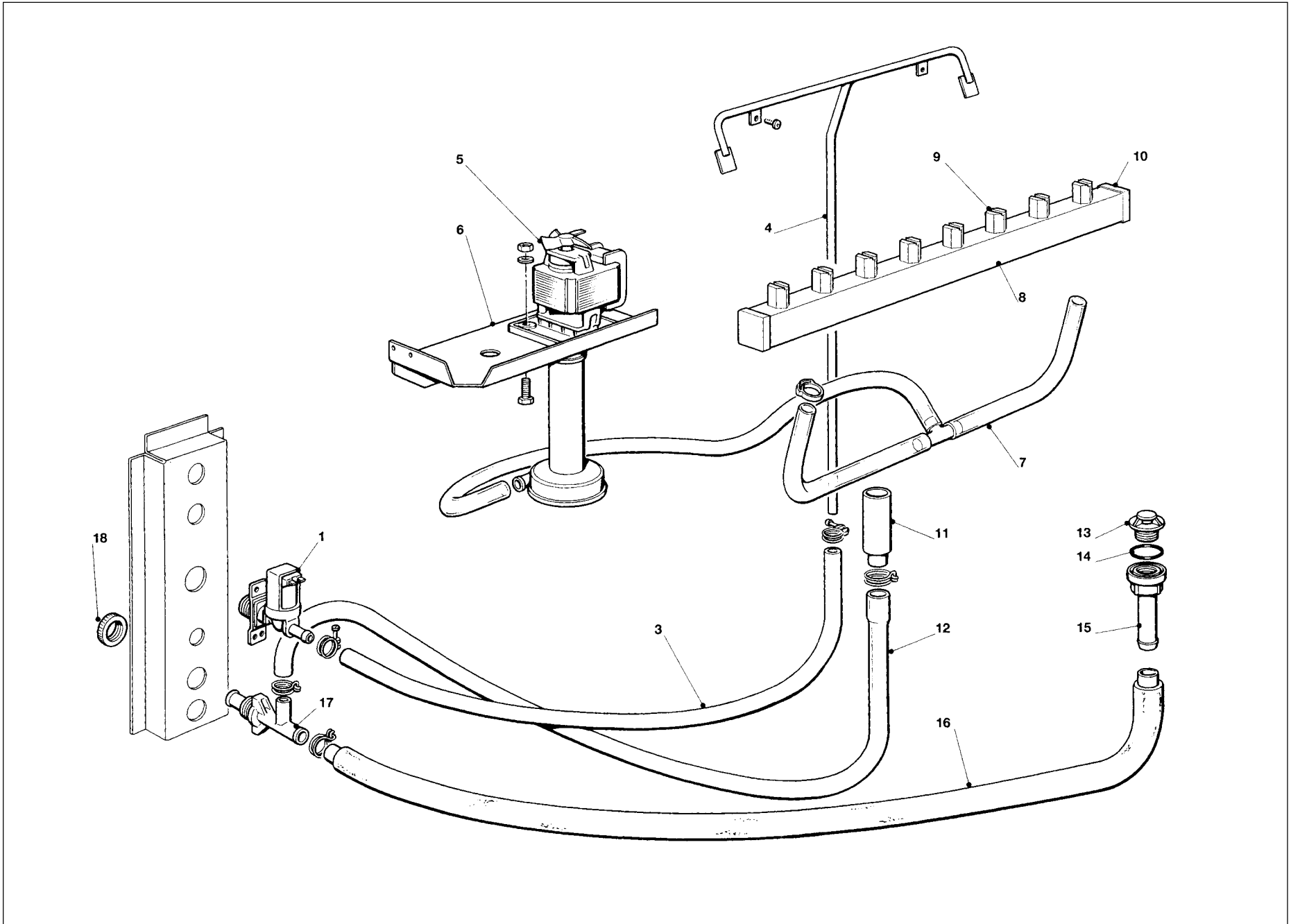
BUL 65 - BUL 90 - REFRIGERANT SYSTEM AIR COOLED - SISTEMA REFRIGERANTE RAFFR. AD ARIA
CIRCUIT FRIGORIFIQUE REFRROID. PAR AIR - LUFTGEKÜHLT GEFRIERSYSTEM

ITEM NO POS NO REP. NO REF. NO	PART NO CODICE REFERENCE TUECK NR		DESCRIPTION	DESCRIZIONE	DESIGNATION	BESCHREIBUNG
	BUL 65	BUL 90				
1	670099 02	670099 03	COMPRESSOR ASSY	ASSIEME COMPRESSORE	ENSAMBLE COMPRESSEUR	KOMPRESSOR
5	620058 39	620058 42	PROTECTOR	PROTETTORE	PROTECTEUR	SCHUTZGERAT
9	620057 44	620057 45	RELAY	RELE	RELAIS	RELAIS
10	620167 01		START CAPACITOR	CONDENSATORE D'AVVIAMENTO	CAPACITE DE DEMARRAGE	START KONDENSATOR
12	650109 00		VALVE BODY	CORPO VALVOLA	CORPS DE VANNE	VENTILGEHAUSE
13	670012 00		VALVE PISTON	PISTONCINO VALVOLA	PISTON	VENTILKOLBEN
14	650106 00		VALVE CAP	CAPPUCCIO VALVOLA	CAPUCHON DE VANNE	VENTILKLAPPE
15	620405 00	620440 00	AIR COOLED CONDENSER	CONDENSATORE AD ARIA	CONDENSEUR A AIR	LUFT KONDENSATOR
19	620419 02	620419 04	FAN MOTOR	MOTORE VENTILATORE	MOTEUR DU VENTILATEUR	LUFTER MOTOR
20	620419 33		FAN BLADE	VENTOLA	HELICE	FLUEGEL
25	630020 01		MECHANICAL FILTER	FILTRO MECCANICO	FILTRE MECANIQUE	MECHANISCHFILTERN
26	620306 27 620306 48	620306 46	HOT GAS VALVE BODY HOT GAS VALVE COIL	CORPO VALVOLA GAS CALDO BOBINA VALVOLA GAS CALDO	CORP VANNE GAZ CHAUD BOBINE VANNE GAZ CHAUD	HEISSGAZ VENTILGEHAUSE HEISSGAZ VENTIL SPULE
27	630003 06		DRIER	FILTRO DEUMIDIFICATORE	FILTRE DESHYDRATEUR	TROCKNER
28	784263 09		EVAPORATOR ASSY	ASSIEME EVAPORATORE	ENSAMBLE EVAPORATEUR	VERDAMPFER
29	784444 06	784444 08	SUCTION LINE/ACCUMULATOR	ACCUMUL. E LINEA ASPIRAZIONE	ENS. ASPIRATION/ACCUMULATEUR	SAMMLER UND SAUGLEITUNGEN
*	650694 00		SUCTION SERVICE VALVE	RUBINETTO DI CARICA	ROBINET DE SERVICE	VENTILKÄLTEMITTEL



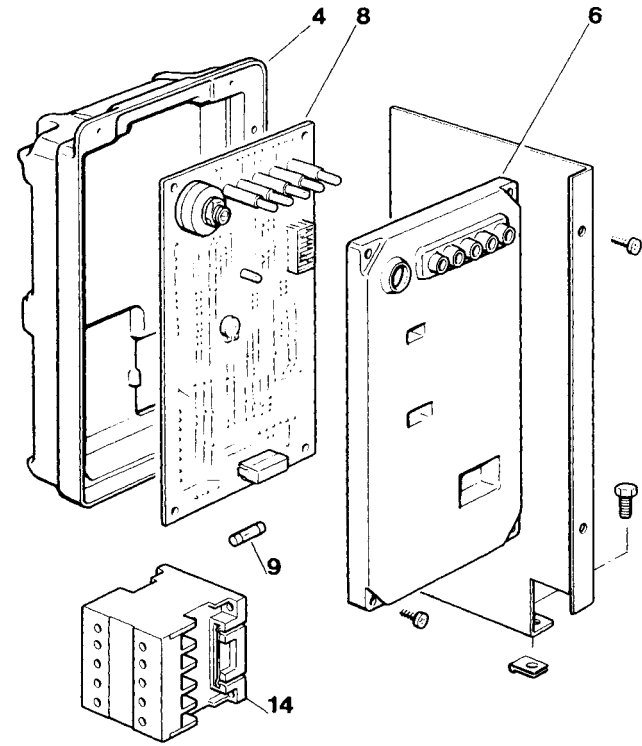
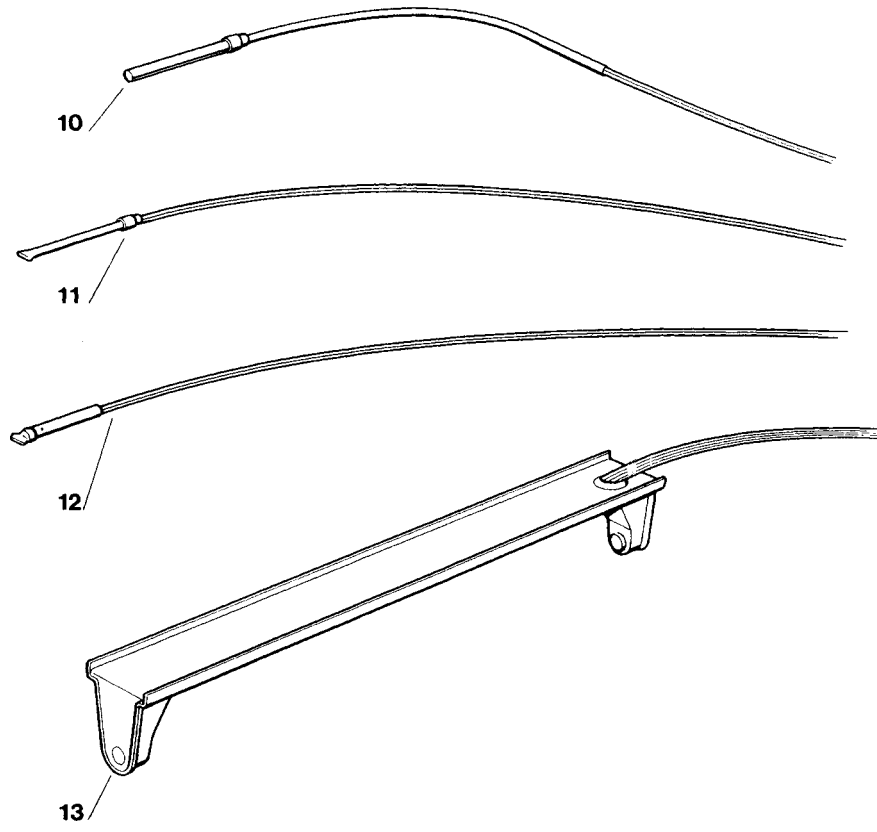
**BUL 65 - BUL 90 - REFRIGERANT SYSTEM WATER COOLED - SISTEMA REFRIGERANTE RAFFR. AD ACQUA
CIRCUIT FRIGORIFIQUE REFRROID. PAR EAU - WASSERGEKÜHLT GEFRIERSYSTEM**

ITEM NO POS NO REP. NO REF. NO	PART NO CODICE REFERENCE STUECK NR		DESCRIPTION	DESCRIZIONE	DESIGNATION	BESCHREIBUNG
	BUL 65	BUL 90				
1	670099 02	670099 03	COMPRESSOR ASSY	ASSIEME COMPRESSORE	ENSAMBLE COMPRESSEUR	KOMPRESSOR
5	620058 39	620058 42	PROTECTOR	PROTETTORE	PROTECTEUR	SCHUTZGERAT
9	620057 44	620057 45	START RELAY	RELE DI AVVIAMENTO	RELAIS DE DEMARRAGE	RELAIS
10	620167 01	620167 01	START CAPACITOR	CAPACITA D'AVVIAMENTO	CAPACITE DE DEMARRAGE	START KONDENSATOR
12	650109 00		VALVE BODY	CORPO VALVOLA	CORPS DE VANNE	VENTILGEHAUSE
13	670012 00		VALVE PISTON	PISTONCINO VALVOLA	PISTON	VENTILKOLBEN
14	650106 00		VALVE CAP	CAPPUCCIO VALVOLA	CAPUCHON DE VANNE	VENTILKLAPPE
15	620389 01	620331 00	WATER COOLED CONDENSER	CONDENSATORE AD ACQUA	CONDENSEUR A EAU	WASSERGEKÜHLT KONDENSATOR
18	400053 00		NUT	DADO	ECROU	MUTTER
19	400052 00		FIBER WASHER	RONDELLA IN FIBRA	RONDELLE EN FIBRE	FIBER SCHEIBE
21	620111 00		WATER REGULATING VALVE	VALVOLA PRESSOSTATICA	VANNE A EAU PRESSOSTATIQUE	WASSERREGLERVENTIL
22	733094 03		REGULATING VALVE OUTLET FITTING	RACCORDO USCITA VALVOLA PRESS.	RACCORD SORTIE VANNE PRESS.	WASSERREGLER ABFLUSSTUECK
24	281900 01		PLASTIC TUBE-PER METER	TUBO IN PLASTICA-PER METRO	TUYAU EN PLASTIQUE-POUR METRE	PLASTIK ROHR-PRO METER
29	281900 01		PLASTIC TUBE-PER METER	TUBO IN PLASTICA-PER METRO	TUYAU EN PLASTIQUE-POUR METRE	PLASTIK ROHR-PRO METER
30	630020 01		MECHANICAL FILTER	FILTRO MECCANICO	FILTRE MECHANIQUE	MECHANISCH FILTERN
31	620306 27 620306 48	620306 46	HOT GAS VALVE BODY HOT GAS VALVE COIL	CORPO VALVOLA GAS CALDO BOBINA VALVOLA GAS CALDO	CORP VANNE GAZ CHAUD BOBINE VANNE GAZ CHAUD	HEISSGAZ VENTIL GEHÄUSE HEISSGAZ VENTIL SPULE
32	620003 06		DRIER	FILTRO DEUMIDIFICATORE	FILTRE DESHYDRATEUR	TROCKNER
33	784263 09		EVAPORATOR ASSY	ASSIEME EVAPORATORE	ENSAMBLE ÉVAPORATEUR	VERDAMPFEREINHEIT
34	784444 06	784444 08	SUCTION LINE/ACCUMULATOR	ACCUMUL. E LINEA ASPIRAZIONE	ENS. ASPIRATION/ACCUMULATEUR	SAMMLER UND SAUGLEITUNGEN
*	650694 00		SUCTION SERVICE VALVE	RUBINETTO DI CARICA	ROBINET DE SERVICE	VENTILKÄLTEMITTEL HAHN
			* NOT SHOWN	* NON MOSTRATO	* PAS MONTRÉ	* NIGHT ABGEBILDET



BUL 65 - BUL 90 - WATER SYSTEM - CIRCUITO IDRAULICO - CIRCUIT HYDRAULIQUE - WASSERSYSTEM

ITEM NO POS NO REP. NO REF. NO	PART NO CODICE REFERENCE STUECK NR	DESCRIPTION	DESCRIZIONE	DESIGNATION	BESCHREIBUNG
1	650105 52	WATER INLET VALVE	VALVOLA INGRESSO ACQUA	VANNE ARRIVÉE D'EAU	WASSEREINLAUFVENTIL
3	281900 01	WATER INLET TUBE-PER METER	TUBO INGRESSO ACQUA-PER METRO	TUYAU ARRIVÉE D'EAU-POUR METRE	WASSEREINLAUFROHR-PRO METER
4	660537 00	WATER DISTRIBUTOR TUBE	TUBO DISTRIBUTORE D'ACQUA	TUYAU DISTRIBUTEUR EAU	WASSERVERTEILERROHR
5	620430 03	WATER PUMP ASSY	ASSIEME POMPA	ENSAMBLE POMPE A EAU	WASSER PUMPE
6	723157 00	PUMP MOTOR BRACKET	SUPPORTO POMPA	SUPPORT METALLIQUE POMPE	PUMPENTRÄGER
7	610186 01	WATER TUBE - PUMP TO SPRAY SYSTEM	TUBO MANDATA POMPA	TUYAU - POMPE PLAQUE D'ARROSAGE	SCHLAUCH PUMPE - SPRUHSYSTEM
8	650665 21	SPRAY BAR	TUBO SPRUZZATORE	COLLECTEUR	KOLLEKTOR
9	660558 00	SPRAY JET	SPRUZZATORI	GICLEURS	SPRÜHDÜSEN
10	660557 00	PLUG	UGELLO SPRUZZATORE	BOUCHON POUR COLLECTEUR	STOPFEN
11	281720 06	OVERFLOW STAND PIPE	TUBO TROPPO PIENEO	TUYAU TROP PLEIN	UEBERLAUFROHR
12	610176 01	DRAIN TUBE - OVERFLOW	TUBO SCARICO T. P.	TUYAU EVACUATION T. P.	ABFLUSSROHR
13	660211 01	DRAIN FILTER	FILTRO SCARICO ACQUA	FILTRE EVACUATION EAU	ABFLUSSFILTER
14	640134 00	O RING	GUARNIZIONE O R	JOINT TORIQUE	SIMMER RING
15	660219 01	DRAIN FITTING	RACCORDO DI SCARICO	RACCORD EVACUATION	ABFLUSSROHR
16	610148 10	WATER DRAIN TUBE	TUBO SCARICO ACQUA	TUYAU ÉVACUATION EAU	ABFLUSSROHR
17	660224 00	DRAIN T FITTING	RACCORDO DI SCARICO	RACCORD T D'EVACUATION	T STÜCK
18	660535 00	PLASTIC RING NUT	GHIERA IN PLASTICA	COLLIER DE SERRAGE EN PLASTIQUE	PLASTICK RING MUTTER



BUL 40 - BUL 65 - BUL 90 - P.C. BOARD AND SENSOR ASSY - SCHEDA ELETTRONICA E SENSORI
ENS. CARTE ELECTRONIQUE ET DETECTEURS - ELEKTRONISCHE KARTE UND TEMPERATURFUEHLERENHEIT

ITEM NO POS NO REP. NO REF. NO	PART NO CODICE REFERENCE STUECK NR	DESCRIPTION	DESCRIZIONE	DESIGNATION	BESCHREIBUNG
4	660546 00	CONTROL BOX	SCATOLA ELETTRICA	BOITE ELECTRIQUE	SCHALT SCHRANK
6	660547 01	CONTROL BOX COVER	COPERCHIO SCATOLA ELETTRICA	COUVERCLE BOITE DE COMMANDE	SCHALTSCHRANK DECKEL
8	620403 18 620403 14	P. C. BOARD ASSY RECYCLED PCB	ASSIEME SCHEDA ELETTRONICA SCHEDA EL. RICICLATA	ENSAMBLE CARTE ELECTRONIQUE CARTE ELECTR. RECYCLÉ	GEDRUCKTESCHALTUNG REGENERIERTE PLATINE
9	630015 09 630015 10	FUSE (100 mA) FUSE (16 A)	FUSIBILE (100mA) FUSIBILE (16 A)	FUSIBLE (100mA) FUSIBLE (16 A)	SCHMELZSICHERUNG (100mA) SCHMELZSICHERUNG (16 A)
10	620404 10	EVAPORATOR TEMP. SENSOR	SENSORE TEMP. EVAPORATORE	CAPTEUR TEMP. ÉVAPORATEUR	VERDAMPFERTEMPERATURFUEHLER
11	620404 01	CONDENSER TEMP. SENSOR	SENSORE TEMP. CONDENSATORE	CAPTEUR TEMP. CONDENSEUR	KONDENSATORTEMPERATURFUEHLER
12	620404 02	AMBIENT TEMP. SENSOR	SENSORE TEMP. AMBIENTE	CAPTEUR TEMP. AMBIANCE	RAUMTEMPERATURFUEHLER
13	650674 00	ICE LEVEL CONTROL ASSY	ASS. CONTR. LIVELLO GHIACCIO	ENS. DETECTEUR NIVEAU GLACE	EISNIVEAUFUEHLEREINHEIT
14	630119 02	CONTACTOR - BUL 65 - BUL 90 ONLY	TELERUTTORE SOLO BUL 65 - BUL 90	CONTACTEUR - SEUL BUL 65 - BUL 90	SCHALTSCHÜTZ - BUL 65 - BUL 90