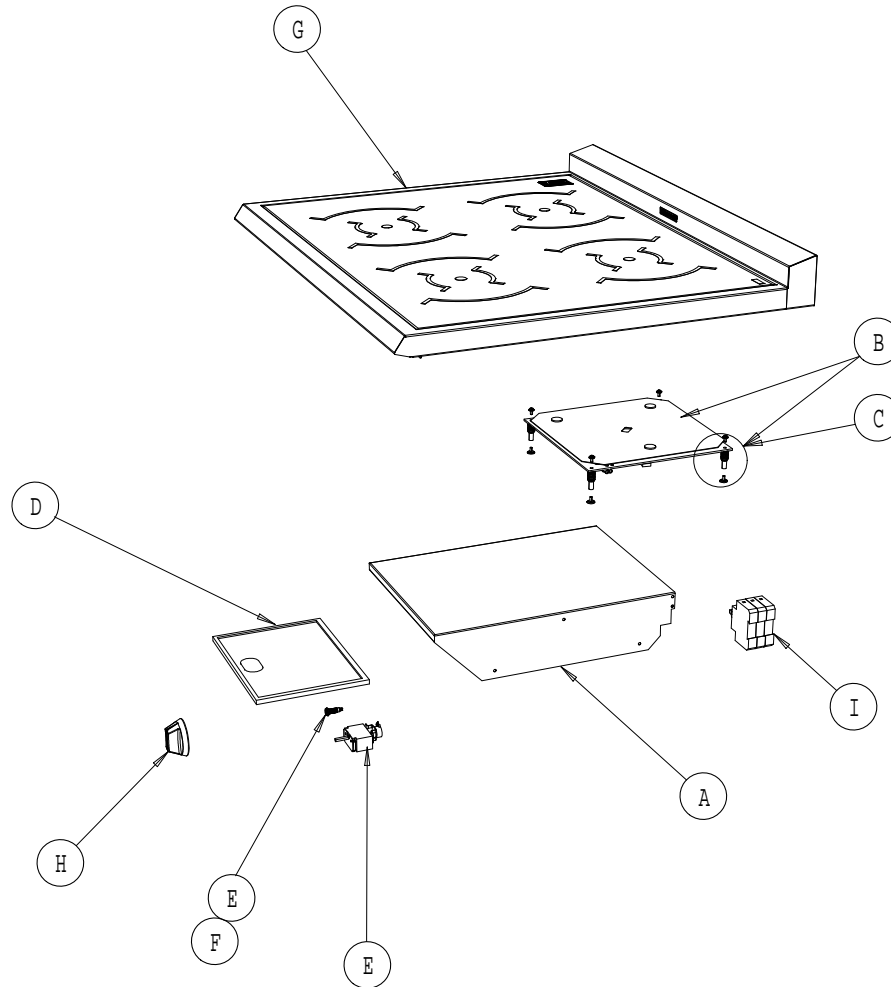
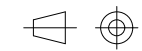


IF IN DOUBT ASK!!

DO NOT SCALE !!

First Angle Projection



	DESCRIPTION	SPARES No.
A	4 ZONE INDUCTION GENERATOR	734250001
B	INDUCTION COIL & FIXING KIT	734250002
C	INDUCTION COIL FIXING KIT	734250003
D	AIR FILTER	734250004
E	CONTROL SWITCH C/W WIRING & LED	734250005
F	GREEN 24VDC LED	734250006
G	GLASS HOB ASSY	734250007
H	CONTROL KNOB	734250008
I	MINITURE CIRCUIT BREAKER MCB	734250009

All dimensions in millimetres, Tolerance- Linear $\pm 0.5\text{mm}$ Angular $\pm 0.5^\circ$ (or as stated). All sharp edges to be removed from sheet metal parts.

Issue	Mod No.	Alteration	Zone	Drawn by	Date
B	6067	MCB ADDED TO SPEC		S. BROWN	12/01/09
A	1206	PRODUCTION ISSUE		S. BROWN	27/11/08



Drawn	S. BROWN	Product	E2904I INDUCTION BOILING TABLE	
Date	07/04/08	Title	SPARES INFORMATION	
Scale	1:10	Matl.	N/A	Drawing Number
		No. off	N/A	Issue
		Bin No.	N/A	AD45726
		Finish	N/A	B
		Kraus No.	AD45726	

No reproduction or publication of this drawing may be made and no article may be manufactured or assembled in accordance with this drawing without prior written consent. This prohibition is a condition of any contract relating to this drawing. Rights reserved under the Copyright Act 1956 as amended by the Design Copyright Act 1988.

This part is common to the following units

UNCONTROLLED

Falcon Foodservice Equipment. Wallace View Hillfoots Road Stirling Scotland