

EC477/SC

EC477/SC

CATALOGO PARTI DI RICAMBIO
CATALOGUE PIECES DETACHEES
ERSATZTEILKATALOG
SPARE PARTS CATALOGUE





**Catalogo parti di ricambio valido
dalla matricola 1103224 (05.06.2015) ad oggi (06.01.2017)**

**Catalogue pieces detachees
valable à partir du numero de Série n. 1103224 (05.06.2015) jusqu'à aujourd'hui
(06.01.2017)**

**Ersatzteilkatalog
gültig ab Serien-Nr. 1103224 (05.06.2015) bis heute (06.01.2017)**

**Spare parts catalogue
valid from serial no. 1103224 (05.06.2015) up today (06.01.2017)**

**Catálogo de peças de reposição
válido do número de série 1103224 (05.06.2015) até hoje (06.01.2017)**

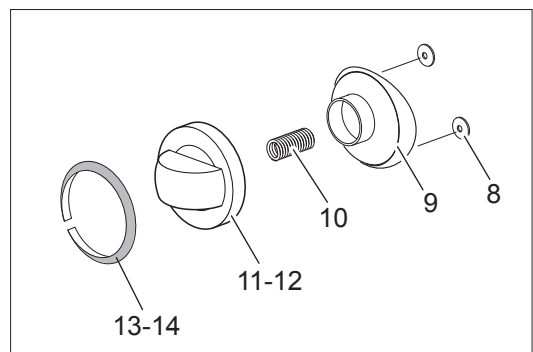
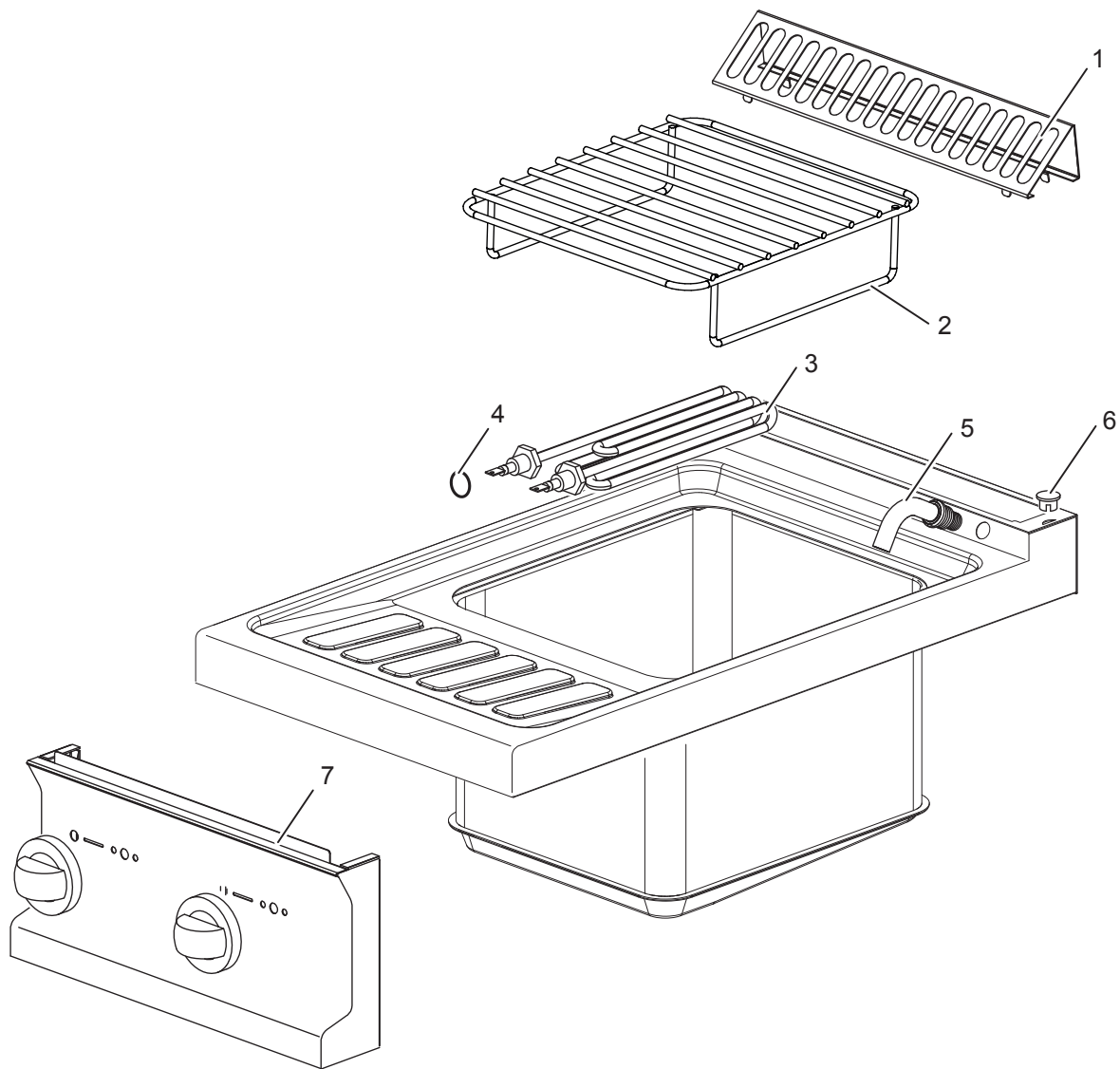
Le informazioni sono considerate non vincolanti. Le immagini rappresentate sono puramente indicative. Il produttore si riserva il diritto di apportare modifiche in qualsiasi momento senza preavviso.

Les informations données ne sont pas contraignantes. Les images montrées sont à titre indicatif. Le producteur se réserve le droit d'apporter des modifications sans préavis.

Die im vorliegenden Dokument aufgeführten Informationen und Bilder sind unverbindlich. Der Hersteller behält sich das Recht vor, jederzeit ohne vorherige Ankündigung Änderungen vorzunehmen

Info and drawing could be slightly different from reality and they cannot be considered as compelling. Manufacturer can modify info anytime without forewarning.

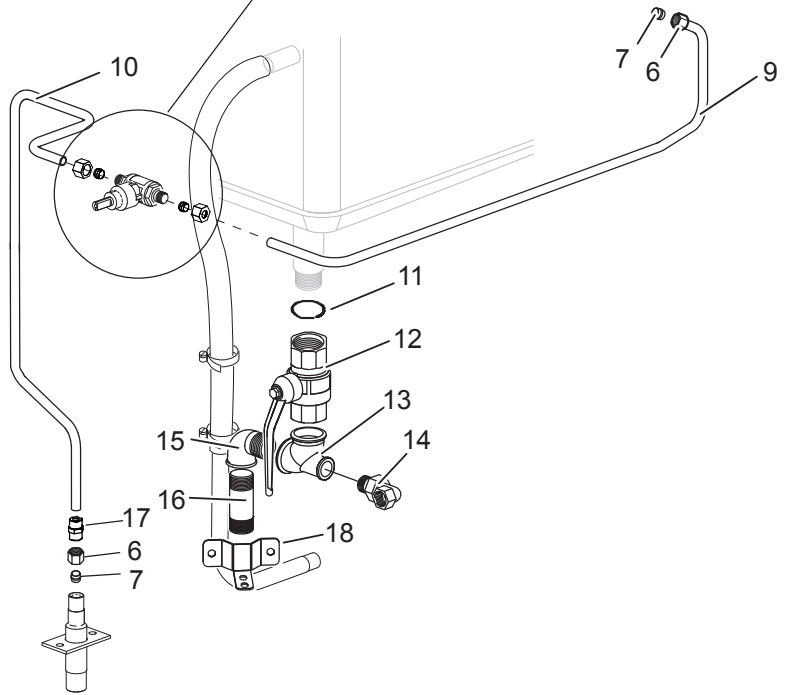
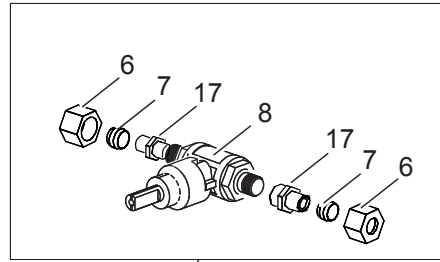
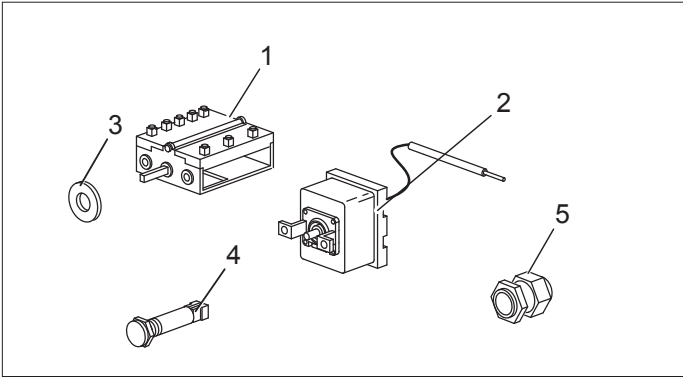
As Informações e desenhos podem estar um pouco diferente da realidade e são puramente indicativas. O fabricante pode modificar estas informações a qualquer momento sem aviso prévio.



| Nr. | Code | Title | Recommended |
|------------|-------------|--------------------------------------|--------------------|
| 1. | 184630 | GRILLE POUR CHEMINÉE | |
| 2. | RTCU700286 | GRILLE SUP.PANIER GC47 INOX | |
| 3. | RTCU700283 | RESIST.EC47 1.85KW230 | S |
| 4. | RTCU700623 | JOINT TUYAU DE VIDANGE HUILE GF47T | S |
| 5. | 167439 | WATER EROGATOR | N |
| 6. | 163603 | BOUCHON FIX.PLAQUE DOMINA | N |
| 7. | 180298 | CONTROL PANEL | N |
| 8. | 176318 | ELASTIC METAL CLIP -WASHER DIAM 4 MM | S |
| 9. | 171439 | GAS VALVE KNOB HOUSING G4S11 | S |
| 11. | 171436 | COMMUTATOR KNOB | S |
| 12. | 171435 | WATER KNOB | S |
| 13. | 174330 | SWITCH RING | S |
| 14. | 174333 | COLD WATER RING | S |



| Nr. | Code | Title | Recommended |
|------------|-------------|---------------------------------|--------------------|
| 1. | 167248 | <i>BACK SIDE</i> | N |
| 2. | 173523 | <i>LATERAL SIDE</i> | N |
| 3. | RTCU700277 | <i>PIED+BOUCHON S.G4SF7/145</i> | N |
| 4. | 181529 | <i>DOOR MAGNET</i> | N |
| 5. | 176894 | <i>LEFT HINGE DOOR</i> | N |
| 7. | 160739 | <i>POIGNEE A.NSA49 SILVER</i> | N |
| 9. | 176895 | <i>RIGHT HINGE DOOR</i> | N |
| 10. | RIC0004738 | <i>CABINET DOOR COMPLETE</i> | N |



| Nr. | Code | Title | Recommended |
|------------|-------------|---------------------------------------|--------------------|
| 1. | RTCP900036 | COMMUTATEUR CPE 4334232000 | S |
| 2. | RTCP900074 | THERMOST.LIM.E100I/T138 5532522814 | S |
| 3. | RTCU800185 | JOINT BARRE COMMUTATEUR | S |
| 4. | 166465 | LAMPE-TEMOIN VERT SL-CO27500 | S |
| 5. | RTBF800138 | CABLE PG21 53015050+D53019050C | N |
| 6. | RTCU900013 | ECROU D.10 | N |
| 7. | RTCU900012 | BICONE D.10 | N |
| 8. | 184641 | ROBINET CHARGE EAU | |
| 9. | 184955 | CONDUIT ALIMENTATION ROBINET DE L'EAU | |
| 10. | 184956 | CONDUIT ALIMENTATION ROBINET DE L'EAU | |
| 11. | 183846 | GASKET | N |
| 12. | 183863 | ROBINET DECHARGE EAU | N |
| 13. | RTBF800116 | CONNECTOR | N |
| 14. | RTCP900066 | COUDE COMP.LAITON MF 1/2"CP | N |
| 15. | 169318 | CRANK | N |
| 16. | 165912 | DRAIN WATER PIPE | |
| 17. | RTCU900132 | NIPPLE 1/2"- 3/8" | N |
| 18. | 184010 | PLATE | N |