

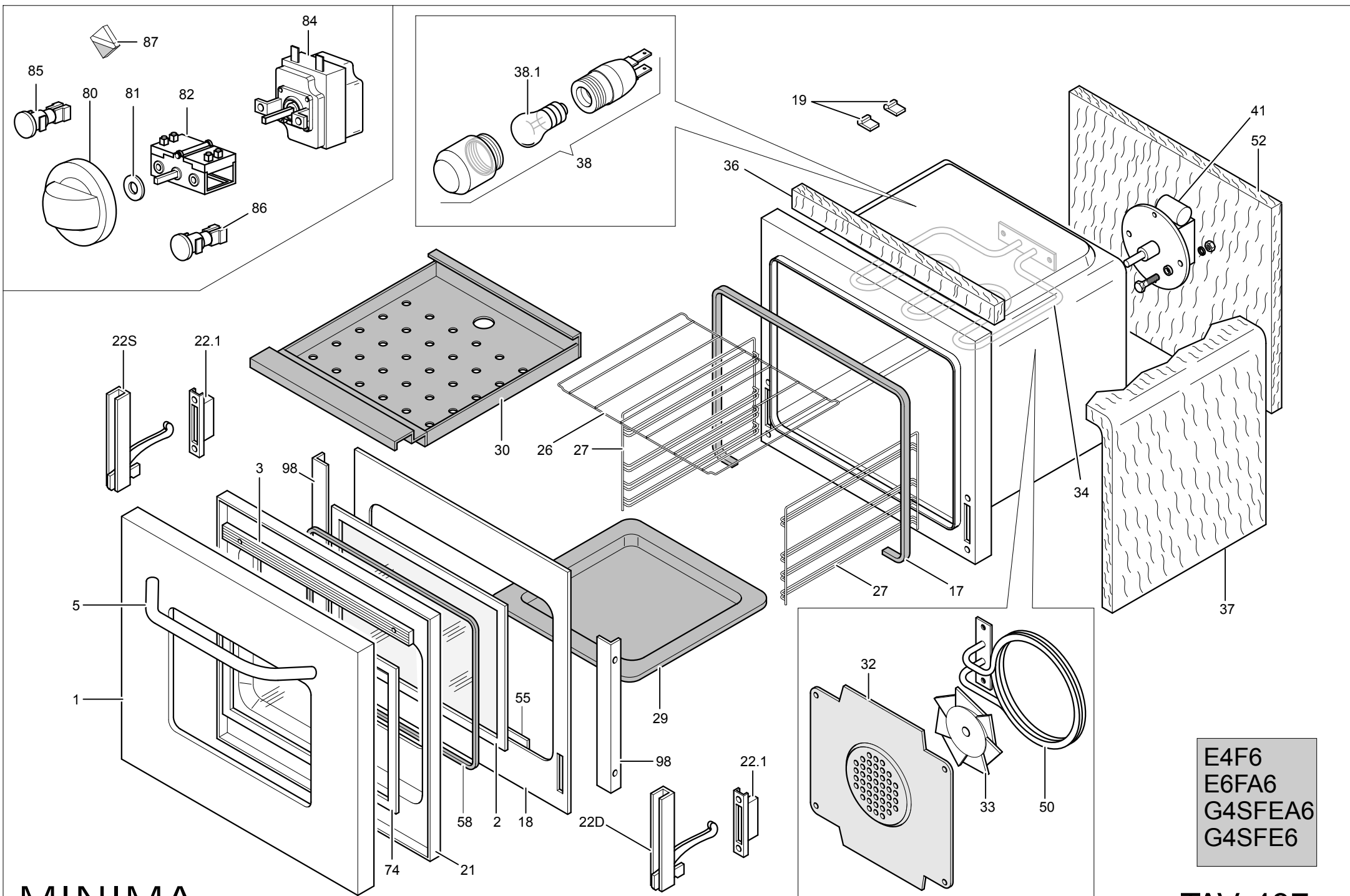
"A"

E4F6

MINIMA

TAV. 441

| TABLE | POS. | CODE | ITALIAN | ENGLISH | FRANÇAIS | DEUTSCH |
|---------------|------|------------|--------------------------------------|-----------------------------|----------------------------------|---------------------------------|
| MINIMATAV.441 | 1 | RTCU700292 | *MARCHIO+CLIPS MBM TURCH. | MBM MARK | MARQUE MBM | LOGO MBM |
| MINIMATAV.441 | 2 | PACU600338 | CRUSCOTTO E4F6 | MBM MARK | PANNEAU DE CONTRÔLE E4F6 | STIRNBRETT |
| MINIMATAV.441 | 3 | PACU600002 | FIANCO SX G4S6 | LEFT SIDE | CÔTÉ GAUCHE | RECHTE SEITE |
| MINIMATAV.441 | 5 | GACU600112 | AS.CAMINETTO SUP.E46/1 | CHIMNEY | CHEMINÉE | SCHORNSTEIN |
| MINIMATAV.441 | 6 | PACU600054 | POSTERIORE INOX G4S6 | STAINLESS STEEL BACK PANEL | PANNEAU POSTÉRIEURE INOX | INOX-RÜCKWAND |
| MINIMATAV.441 | 7 | RTBF700021 | PASSACAVO PG16+DADO 53015140 | CHOCK Ø 16 | CHAUMARD Ø 16 | KABELDURCHGANG Ø 16 |
| MINIMATAV.441 | 8 | PACU600117 | PLACCA E46 | WORK PLANE | PLAN DE CUISSON E46 | PLATTE |
| MINIMATAV.441 | 9 | RTCU700084 | COPERCHIO P.E.145 1712001000 | COVER D.145 | COUVERCLE D.145 | BECKENABDECKUNG D.145 |
| MINIMATAV.441 | 10 | RTCU700293 | MARCHIO RIF.FUOCHI P.L.G4S7 | REFERENCE FIRES | RÉFÈRENCE DE LES FEUX | HINWEIS-FEUER |
| MINIMATAV.441 | 11 | RTCU700087 | P.E.C4E7 R.1,5KW240 1214474030 | ELECTRIC PLATE 1500 W 240 V | PLAQUE ÉLECTRIQUE 1500 W 240 V | ELEKTRISCHE PLATTE 1500 W 240 V |
| MINIMATAV.441 | 12 | RTCU700083 | COPERCHIO P.E.220 171200300 | COVER D.220 | COUVERCLE D.220 | BECKENABDECKUNG D.220 |
| MINIMATAV.441 | 13 | RTCU900421 | CAVO AL.250/SEZ.1,5X5CAVI | FEEDING CABLE | CÂBLE DE ALIMENTATION | VERSORGUNGSKABEL |
| MINIMATAV.441 | 14 | RTCU700086 | P.E.C4E7 R.2,6KW240 1222474030 | ELECTRIC PLATE 2600 W 240 V | PLAQUE ÉLECTRIQUE 2600 W 240 V | ELEKTRISCHE PLATTE 2600 W 240 W |
| MINIMATAV.441 | 15 | RTBF900045 | MORSETTIERA 12M-PA220TV SIMB/1-6+1-6 | TERMINAL BLOCK 6 POLES | GROUPE DE CONNECTION 6 POLES | KLEMMBRETT 6 POLIG |
| MINIMATAV.441 | 16 | PACU600119 | SQ.P/MORSETTIERA E26 | TERMINAL BOARD BAR | SUPPORT DE CONNECTION DES CABLES | BLOCKHALTERUNG |
| MINIMATAV.441 | 17 | RTCU700403 | MANOP.COM.P.E.E47 0+6 TURCH. | COMMUTATOR KNOB | BOUTON DU COMMUTATEUR | KOMMUTATORKUGELGRIF |
| MINIMATAV.441 | 18 | RTCU700078 | COMM.P.E.0+6 4927215746 | PLATE COMMUTATOR 3 KW | COMMUTATEUR PLAQUE 3 KW | ELEKTROPLATTEN-KOMMUTATOR 3 KW |
| MINIMATAV.441 | 19 | RTCU900290 | LAMP.SP.VERDE/250V/TBF013.SF6 | GREEN WARNING LAMP | LAMPE TEMOIN VERTE | GRÜNE KONTROLLEUCHTE |
| MINIMATAV.441 | 20 | PACU600003 | FIANCO DX G4S6 | RIGHT SIDE | CÔTÉ DROITE | RECHTE SEITE |



E4F6
 E6FA6
 G4SFEA6
 G4SFE6

| TABLE | POS. | CODE | ITALIAN | ENGLISH | FRANÇAIS | DEUTSCH |
|---------|-------|------------|-------------------------------------|-------------------------|------------------------------------|----------------------------------|
| TAV.437 | 1 | RIC0003754 | BOMBATO PORTA F/60 INOX | DOOR | BOMBE PORTE F/60 INOX | GEWÖLBTE TÜR F/60 EDELSTAHL |
| TAV.437 | 2 | RIC0002587 | *CRISTALLO I.G4SF6 9666320200 | CRYSTAL INTERNAL | CRYSTAL INTERIEUR F/60 ANTHRACITE | KRISTALL INTERN F/60 DUNKELGRAU |
| TAV.437 | 3 | RIC0002674 | LISTA RINFORZO MANIGLIA E | REINFORCE HANDLE | LATTE RENFORCEMENT POIGNEE E | VERSTÄRKUNGSLEISTE GRIFF UND |
| TAV.437 | 5 | RIC0002479 | MANIGLIA PONTE INOX | STAINLESS HANDLE BRIDGE | POIGNEE PONT INOX | EDELSTAHL BÜGELGRIFF |
| TAV.437 | 17 | RIC0002340 | GUARNIZIONE FACCIATA F/60 | PACKING FACADE | JOINT FAÇADE F/60 | DICHTUNG VORDERSEITE F/60 |
| TAV.437 | 18 | RIC0002675 | *FACCIATA 60 G NERO 3070001104 | FACADE | FAÇADE 60G.NOIRE | VORDERSEITE SCHWARZ 60 G. |
| TAV.437 | 21 | RIC0002676 | CONTROPORTA RUS NERO | C/DOOR BLACK | FAUSSE PORTE RUS NOIRE | GEGENTÜR RUS SCHWARZ |
| TAV.437 | 22.01 | RIC0002448 | *P/RULLINO G4F6 9226105200 | SUPPORT HINGE | PORTE-ROULEAU CHARNIERE PORTE | ROLLENFÜHRUNG TÜRSCHARNIER |
| TAV.437 | 22D | RIC0002133 | CERNIERA PORTA DX F/E810 | HINGE RIGHT DOOR | CHARNIERE PORTE D.TE F/E810 | SCHARNIER RECHTE TÜR F/E810 |
| TAV.437 | 22S | RIC0002134 | CERNIERA PORTA SX F/E810 | HINGE LEFT DOOR | CHARNIERE PORTE G.CHE F/E810 | SCHARNIER LINKE TÜR F/E810 |
| TAV.437 | 26 | RIC0003121 | GRIGLIA INTERNA SAGOMATA F/60 | INTERNAL GRATE | GRILLE INTERIEURE FAÇONNEE F/60 | PROFILGITTER INNEN F/60 |
| TAV.437 | 27 | RIC0003122 | GUIDA LATERALE F/60 | LATERAL GUIDE | GUIDE LATERALE F/60 | SEITLICHE FÜHRUNG F/60 |
| TAV.437 | 29 | RIC0002745 | PADELLA E NERO | FRYING PAN BLACK | POELE E NOIRE | PFANNE SCHWARZ |
| TAV.437 | 30 | 3180001800 | SCATOLA SUPPORTO BRUCIATORE GL | BURNER SUPPORT BOX | BOITE SUPPORT BRULEUR GL | KASTENHALTERUNG BRENNER GL |
| TAV.437 | 32 | 3150000119 | PANNELLO COPRIVENTOLA E AUTOPULENTE | PANNEL PLUGFAN | PANNEAU DE L'ABRI DU VENTILATEUR | TAFEL DER FÄCHER-DECKE |
| TAV.437 | 34 | RIC0001836 | RESISTENZA GRILL F/60 NIP | RESISTANCE GRILL | RESISTANCE GRILL F/60 NIP | GRILLWIDERSTAND F/60 NIP |
| TAV.437 | 36 | 9807211000 | PANNELLO ISOLANTE CIELO F/60 | ISOLANT PANNEL | PANNEAU ISOLANT CIEL F/60 | ISOLIERPANEEL OBEN F/60 |
| TAV.437 | 37 | 9807207000 | MATERASSINO ISOLANTE F/60 | INSULATING MATTRESS | PETIT MATELAS ISOLANT F/60 GAZ | ISOLIERMATTE |
| TAV.437 | 38 | RIC0002592 | P/LAMPADA COMPLETO | COMPLETE LAMP ASSEMBLY | DOUILLE BLINDEE | LAMPENHALTERUNG MIT SCHUTZ |
| TAV.437 | 38.1 | RIC0002549 | LAMPADA FORNO | LAMP OVEN | LAMPE P/DOUILLE BLINDEE | LAMPE/LAMPENHALTERUNG MIT SCHUTZ |
| TAV.437 | 41 | RIC0002339 | MOTOVENTILATORE 220/240V. | MOTOFAN | VENTILATEUR 220/240V | VENTILATOR 220/240V |
| TAV.437 | 50 | RIC0001835 | RESISTENZA 2,5KW | RESISTANCE | RESISTANCE 3SP 1500/3000W 220/240V | WIEDERSTAND |
| TAV.437 | 52 | 9807222000 | PANNELLO ISOLANTE SCHIENA F/60 | ISOLANT PANNEL | PANNEAU ISOLANT DOS F/60 | ISOLIERPANEEL |
| TAV.437 | 55 | RIC0002677 | *SQ.VETRO C/PORTE 3200001740 | GREEN WARNING LAMP | EQUERRE FIXE VERRE FAUSSE PORTE | FESTER WINKEL GLAS GEGENTÜR |
| TAV.437 | 58 | RIC0002676 | CONTROPORTA RUS NERO | C/DOOR BLACK | FAUSSE PORTE RUS NOIRE | GEGENTÜR RUS SCHWARZ |
| TAV.437 | 74 | RIC0002679 | *CRISTALLO INT.9666310200 | INTERNAL CRYSTAL | CRYSTAL INTERIEUR FI/60 FIXE | KRISTALL INNEN FI/60 FEST |
| TAV.437 | 80 | RTCU600195 | MANOP.TERM.F.E4F6 | THERMOSTAT KNOB | BOUTON DU THERMOSTAT F E4F6 | THERMOSTATKUGELGRIFF |
| TAV.437 | 82 | RTCU600185 | COMM.F.G4SFE6 4623966811 | YELLOW WARNING LAMP | COMMUTEUR F G4SFED | KOMMUTATOR |
| TAV.437 | 84 | RTCU600186 | T.E.E4F6 5519052846 | THERMOSTAT E E4F6 | THERMOSATE | |
| TAV.437 | 85 | RTCU900072 | LAMP.SP.GIALLA/250V/TBF013.SF6 | YELLOW WARNING LAMP | LAMPE TÉMOIN JAUNE | GELBE KONTROLLEUCHTE |
| TAV.437 | 86 | RTCU900290 | LAMP.SP.VERDE/250V/TBF013.SF6 | GREEN WARNING LAMP | LAMPE TEMOIN VERTE | GRÜNE KONTROLLEUCHTE |
| TAV.437 | 87 | RTCU700294 | MARCHIO RIF.FUOCHI FORNO G4SF7 | MARQUE | MARK | MARK |
| TAV.437 | 98 | RIC0003761 | SQUADRA FISSA FORNO A FACCIATA | BRAKED TO FIX OVEN | EQUERRE FIXE FOUR A FAÇADE | FESTER BÜGEL EINBAU-OFEN |