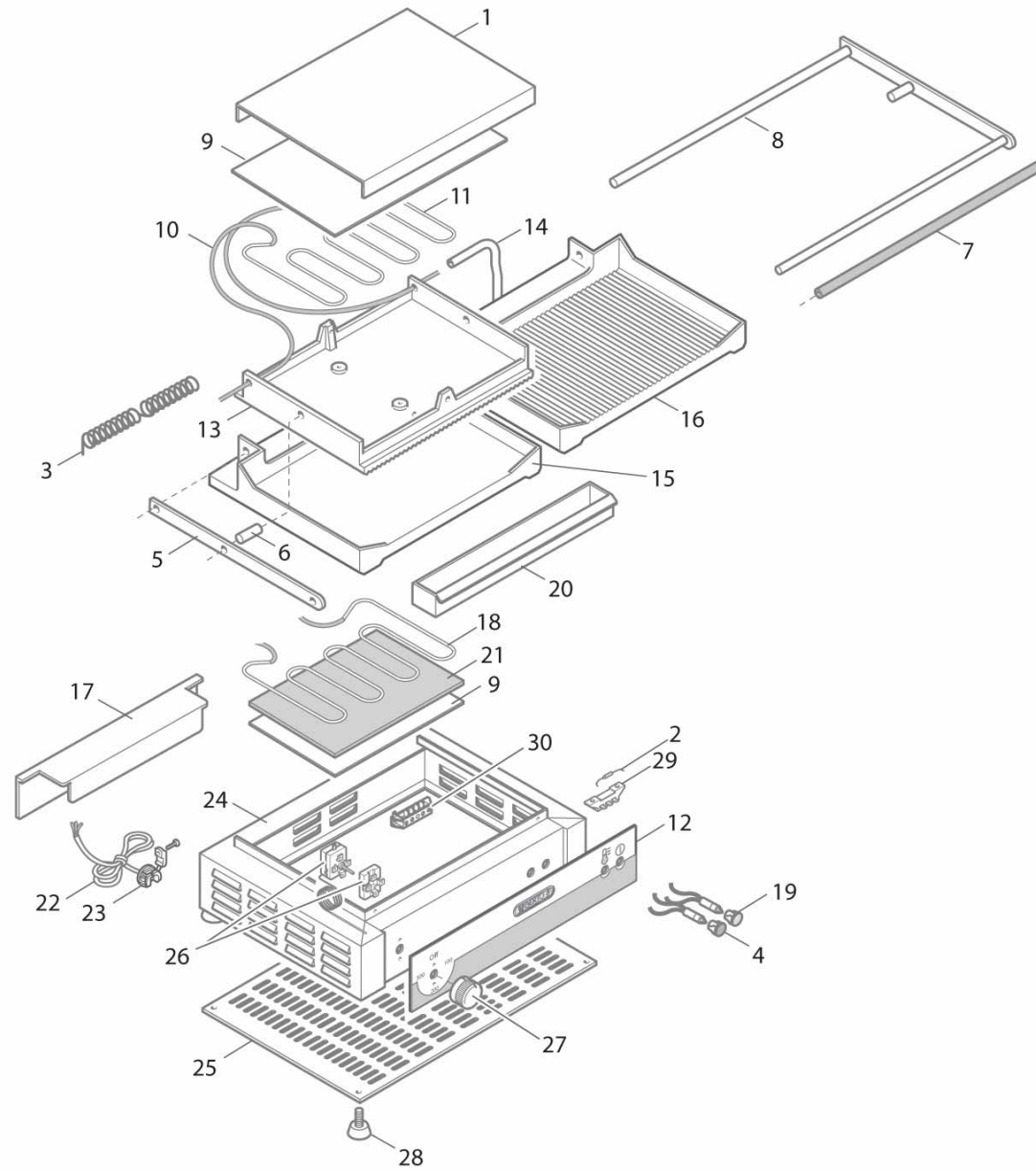




PML/LD





PML/LD

Pos. Item	Codice Code	Descrizione	Item Description	Designation articles	Artikelbeschreibung	Decripción artículos	N° pezzi - No. piezas					
											PML/LD	
1	30804700	Coperchio pm st/vtr	Lid pm st/vtr	Cou. pm st/vtr	De. pm st/vtr	Tapa pm st/vtr						1
2	30978100	Termofusibile 152°C - 15a	Thermofuse 152°C - 15a	Thermofusible 152°C - 15a	Thermoschmelzdraht 152°C - 15a	Termofusibile 152°C - 15a						1
3	30612900	Molla per piastra pml/ld	Sp. for plate	Re. pour plaque	Feder für platte	Muelle para plancha						1
4	30168500	Spia arancio 230v d.10mm150Ø	Orange lamp 230v	Temoin lumineux orange 230v	Orange kontrollampe 230v	Piloto naranja 230v						1
5	30875700	Manico laterale ps/pm/pd zn	La. handle ps/pm/pd zn	Ma. latÉral ps/pm/pd zn	Seit. griff ps/pm/pd zn	Asa la. ps/pm/pd zn						1
6	30908100	Perno laterale per piastra zn	Lateral pin	Pivot latÉral	Seitlicher bolzen	Perno lateral						1
7	30875400	Manico moplen rosso pm	Red moplen pin pm	Ma. moplen rouge pm	Roter moplen griff pm	Asa moplen roja pm						1
8	30876300	Ass. maniglia dx pm	Handle assembly rh pm	Po. complete droite pm	Kompletter griff pm	Conjunto asa dcha. pm						1
9	30868700	Lastra protez. ferro media	Middle protective sheet	Pl. de protection moyenne	Einzelne schutzplatte	Placa de proteccion media						2
10	30193400	Tu. vetrotex d.5 l.250 mm	Glass tube	Tube verre	Isolierend kleines rohr fuer	Tubo vidrio						2
11	30024100	Res.sup.compl. 1000w-230v pm	1000w-230v-1000v-230v pm	RÉsistance 1000 w - 230 v	Widerstand 1000 w - 230 v	Resistencia 1000 w - 230 v						1
12	30899400	Pan. piastra media berto's	Berto's adhesive panel	Panneau adhÉsif berto's	Haftendes paneel berto's	Panel adhesivo berto's						1
13	30843000	Fusione cop. rigato pm/ld	Ri. cast iron lid pm/ld	Couvercle en fonte rainurÉ	Geriefter gussdeckel	Tapa est. de hierro fundido						1
14	30810100	Curvetta passafili dx ps/pm/pd	Rh angle conduit	Co. de protection cÅbles droite	R.gebogenes stÜck draht.	Codo para cables derecho						1
15	30841200	Fusione inferiore pmr/ld	Lower ribbed cast iron plate	Plaque inf. en fonte rainurÉe	Gerieftes unteres gussstÜck	Placa inf. est. en hierro fundido						-
16	30841000	Fusione inferiore pml/ld	Lower smooth cast iron plate	Plaque inf. en fonte lisse	Glattes unteres gussstÜck	Placa inf. lisa en hierro fundido						1
17	30790400	Carter pml-pmr/ld	Ca. pml-pmr/ld	Ca. pml-pmr/ld	Ge. pml-pmr/ld	Ca. pml-pmr/ld						1
18	30024300	Res.inf.compl.1500w-230v pm	1500w-230v-1500w-230v pm	RÉsistance 1500 w - 230 v	Widerstand 1500 w - 230 v	Resistencia 1500 w - 230 v						1
19	30168800	Spia verde 230v d.10mm150Ø	Green lamp 230v	Temoin lumineux vert 230v	Grüne kontrollampe 230v	Piloto verde 230v						1
20	30792000	Ass.cassetto racco. pm	Drip tray pm	Bac recueille-sauces pm	Sauceauffangschalen pm	Casseroletfangtray pm						1
21	30921900	Qua. isomart 320x170x4 pm...pd/vtr	Isomart panel 320x170x4	Ta. isomart 320x170x4	Tafel isomart 320x170x4	Panel isomart 320x170x4						1
22	30192400	Cavo 3x1.5 ps/pm	Power su. cable 3 x 1,5mm	Cable d'alim. 3 x 1,5mm	Versorg. 3 x 1,5mm	Cable de alime. 3x1,5 mm.						1
23	30185400	Passacavo pa 277 i.m.q.	Cable guide	Passe-cÅble	Kabelführung	Aislador pasapanel						1
24	30863500	Ass.involucro base pm/ld-vtr-st-sx	Base enc. pm/ld-vtr-st-sx	Couv. base pm/ld-vtr-st-sx	HÜlle basis pm/ld-vtr-st-sx	Env. base pm/ld-vtr-st-sx						1
25	30838200	Fondo per pm/ld-st-vtr	Bo. pm/ld-st-vtr	Fond pm/ld-st-vtr	Bodenplatt-st-vtr	Fondbo. per pm/ld-st-vtr			fondo pm/ld-st-vtr			1
26	30064600	Termostato 270°C. + commutatore	270°C thermostat + cycle selector	Ther. 270°C + commutateur de cycle	Ther. 270°C + umschalter zyklus	Termostato 270°C + conmutador						1
27	35876200	Manopola rossa p. 6x4.6 a o°	Red knob 6x4.6 o° c	Manette rouge 6x4.6 o° c	Drehknopf 6x4.6 o° c	Mando rojo 6x4.6 o° c						1
28	30684100	Piedi. d.30xm8condado basso h.6mm	Foot h.6mm	Pied h.6mm	Fuss h.6mm	Pata h.6mm						4
29	30184800	Morsettiera laterale fv 77/3	Lateral terminal board fv 77/3	Bornier latÉral fv 77/3	Sei. klemmenleiste fv 77/3	Bornera lateral fv 77/3						1
30	30183800	Morsettiera a 3 poli fv 110 b	Terminal board 3 poles	Bornier 3 poles	Klemmenleiste	Bornera 3 polos						1