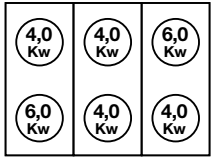
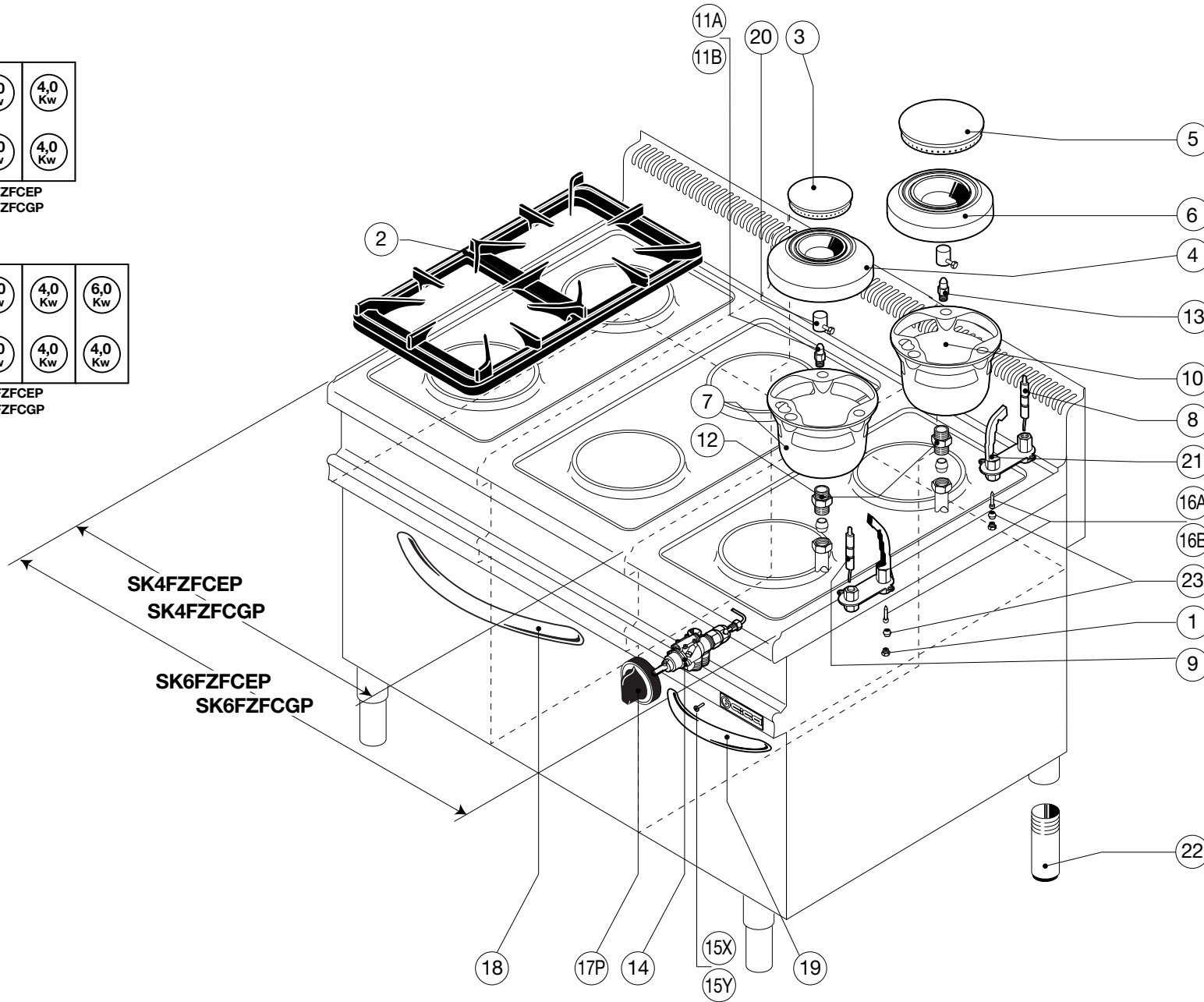


SK4FZFCEP  
SK4FZFCGP



SK6FZFCEP  
SK6FZFCGP



SK4FZFCEP  
SK4FZFCGP

SK6FZFCEP  
SK6FZFCGP

A = GPL / LP gas / Gaz liquide / Flüssiggas  
B = Gas metano / Natural gas / Gaz naturel / Erdgas



N.B.: La tavola si completa con la successiva n° - See table No. - Voir tableau n° - Wichtig: S. folgender Plan Nr.

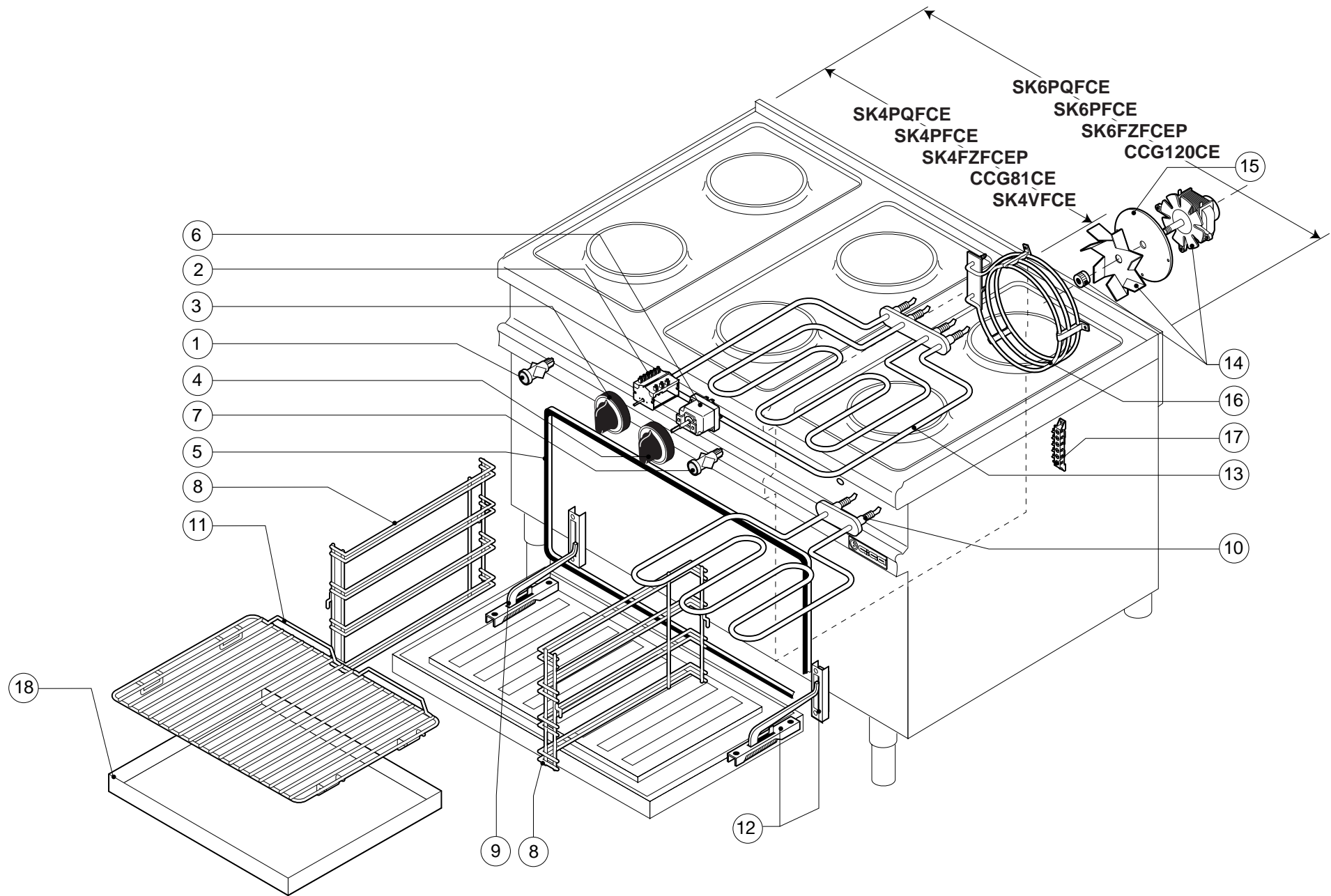
•3E07-006  
SK4FZFCGP  
SK6FZFCGP

•3E07-007  
SK4FZFCEP  
SK6FZFCEP

**3E07-005**

SK4FZFCEP  
SK4FZFCGP  
SK6FZFCEP  
SK6FZFCGP

Pezzi/Pieces Pieces/Anzahl		Pos.	Validità dalla matricola Validité du numéro matricule Validity from serial number Gültigkeit ab der (Seriennummer)	Validità alla matricola Validity up to serial number Validité au numéro matricule Gültigkeit bis zur (Seriennummer)	Codice Code Artikel Nummer	Descrizione	Description	Description	Beschreibung
SK4ZFZFCGP SK4ZFZCEP	SK6FZFCGP SK6FZCEP								
4	6	1			X13200	Dado fissaggio iniettore	Injector fastening nut	Ecrou de fixation injecteur	Befestigungsmutter Einspritzung
2	3	2			1550Y63000	Griglia	Grid	Grille	Rost
3	4	3			V00300	Spartifiamma 4,0 kW	Flame spreader 4,0 kW	Diffuseur de flamme 4,0 kW	Flammenverteiler 4,0 kW
3	4	4			V00100	Corpo bruciatore 4,0 kW	Burner body 4,0 kW	Corps bruleur 4,0 kW	Brennerkörper 4,0 kW
1	2	5			V00400	Spartifiamma 6 kW	Flame spreader 6 kW	Diffuseur de flamme 6 kW	Flammenverteiler 6 kW
1	2	6			V00200	Corpo bruciatore 6 kW	Burner body 6 kW	Corps bruleur 6 kW	Brennerkörper 6 kW
3	4	7			V01800	Coppa bruciatore 4,0 kW	Scoop burner 4,0 kW	Godet bruleur 4,0 kW	Brennerschale 4,0 kW
2	3	8			X13300	Termocoppia fuoco poster.	Rear ring thermocouple	Thermocouple feu poster.	Thermoelem. Hintere kochst.
2	3	9			X14200	Termocoppia fuoco anter.	Front ring thermocouple	Thermocouple feu anter.	Thermoel. Vordere kochst.
1	2	10			V01900	Coppa bruciatore 6 kW	Cup burner 6 kW	Coupelle bruler 6 kW	Brennerkappe 6 kW
3	4	11A			X33700	Iniettore gpl fuoco 4,0 kw	Ring lpg injector 4,0 kw	Injecteur gaz feu 4,0 kw	Gasdüse gpl kochst 4,0 kw
3	4	11B			X34600	Iniettore metano fuoco 4,0 kW	Ring natural gas inject. 4,0 kW	Injecteur methane feu 4,0 kW	Gasdüse methan kochst. 4,0 kW
4	6	12			V01100	Porta iniettore	Injector-holder	Porte-injecteur	Düsenträger
1	2	13A			X34200	Iniettore 6,0 kW /GPL	LPG injector 6,0 kW	Injecteur gaz GPL 6,0 kW	Gasdüse GPL 6,0 kW
1	2	13B			X35400	Iniettore 6,0 kW/metano	Natural gas injector 6,0 kW	Injecteur gaz methane 6,0 kW	Gasdüse Methan 6,0 KW
4	6	14			X08100	Rubinetto fuoco 6,0 kW	Gas ring cock 6,0 kW	Robinet feu 6,0 kW	Gashan kochstelle 6,0 kW
3	4	15X			X11000	By Pass 4,0 KW	By Pass 4,0 KW	By Pass 4,0 KW	By Pass 4,0 KW
1	2	15Y			x04800	By Pass 6 KW	By Pass 6 KW	By Pass 6 KW	By Pass 6 KW
4	6	16A			X30000	Iniettore pilota/GPL	LPG injector	Injecteur gaz GPL	Gasdüse GPL
4	6	16B			x30100	Iniettore pilota/metano	Natural gas injector	Injecteur gaz methane	Gasdüse Methan
4	6	17P			0000Y65103	Manopola per fuoco	Gas ring knob	Cle de commande pour feu	Drehknopf für kochstelle
1	1	18			Y65700	Maniglia forno	Oven handle	Poignée four	Backofengriff
	1	19			Y65500	Maniglia porta	Door handle	Pognée four	Turgriff
4	6	20			V01500	Regolazione aria bruciatore	Burner air regulation	Règlage air bruler	Luftregelung Brenner
4	6	21			X14400	Pilota	Pilot	Veilleuse d'allumage	Zündflammenbrenner
4	4	22			X61000	Piedino	Foot	Pied	Fuss
4	6	23			X13100	Bicono	Front ring thermocouple	Thermocouple feu anter.	Termoel. Vordere kochst



N.B.: La tavola si completa con la successiva n° - See table No. - Voir tableau n° - Wichtig: S. folgender Plan Nr.

• 3E07-009 SK4VFCE	• 3E07-033 CCG81CE CCG120CE	• 3E07-005 SK4FZFCEP SK6FZFCEP	• 3E07-003 SK4PFCE SK6PFCE	• 3E07-004 SK4PQFCE SK6PQFCE
-----------------------	-----------------------------------	--------------------------------------	----------------------------------	------------------------------------

**3E07-007**

CCG81CE - CCG120CE
SK4PFCE - SK6PFCE
SK4FZFCEP - SK6FZFCEP
SK4PQFCE - SK6PQFCE
SK4VFCE

Pezzi/Pieces Pieces/Anzahl	Pos.	Validità dalla matricola Validité du numéro matricule Validity from serial number Gültigkeit ab der (Seriennummer)	Validità alla matricola Validity up to serial number Validité au numéro matricule Gültigkeit bis zur (Seriennummer)	Codice Code Artikel Nummer	Descrizione	Description	Description	Beschreibung
<b>SK4FZFCEP - SK4PFCE - SK6FZFCEP - SK4PQFCE - SK6PFCE - SK6PQFCE - CCG81CE - CCG120CE SK4VFCE</b>								
1	1			X50900	Lampada verde	Green light	Lampe vert	Grüne Kontrolllampe
1	2			X68204	Commutatore	Selector switch	Commutateur	Schalter
1	3			0000X65008	Manopola commutatore	Selector knob	Bouton commutat.	Umschaltknopf
1	4			0000X65004	Manopola termostato	Knob thermostat	Cle de commande thermoc.	Drehknop thermostat
1	5			1000X05600	Guarnizione porta	Door seal	Joint porte	Türdichtung
1	6			X68205	Termostato	Oven thermostat	Thermostat	Thermostat
2	7			X41200	Lampada gialla	Yellow light	Lampe jaune	Gelbe kontrolllampe
1	8			V05900	Reggigriglia sx/dx	R.H. grid support	Appui grille gauche	Oberer heizwiderstand
1	9			X66100	Cerniera sx	L.H. hinge	Charniere gauche	Rostauflegeschiene L.
1	10			X68203	Resistenza inferiore	Bottom resistance	Resistance inferieure	Unterer heizwiderstand
1	11			G11PF	Griglia	Grid	Grille	Rost
1	12			X66000	Cerniera dx	R.H. hinge	Charniere droite	Scharnier rechts
1	13			X68202	Resistenza superiore	Top resistance	Resistance superieure	Oberer heizwiderstand
1	14			V03000	Motoventilatore	Electric fan	Moto-ventilateur	Motorventilator
1	15			V05400	Isolamento	Insulation	Isolation	Isolierung
1	16			X68002	Resistenza	Resistance	Resistance	Resistenz
1	17			X59200	Morsettiera	Terminal board	Barrette de raccordement	Klemmleiste
1	18			V05700	Suola forno	Oven floor	Sole four	Boden fen