

Marmita eléctrica baño maría
Electric indirect boiling pans
Marmites électriques système bain-marie
Elektro-kochkessel indirekt beheizt
Pentole riscaldamento elettrico indiretto
Marmita eléctrica de banho-maria

GAMA 900

Modelos:

ME9-10 PLUS BM

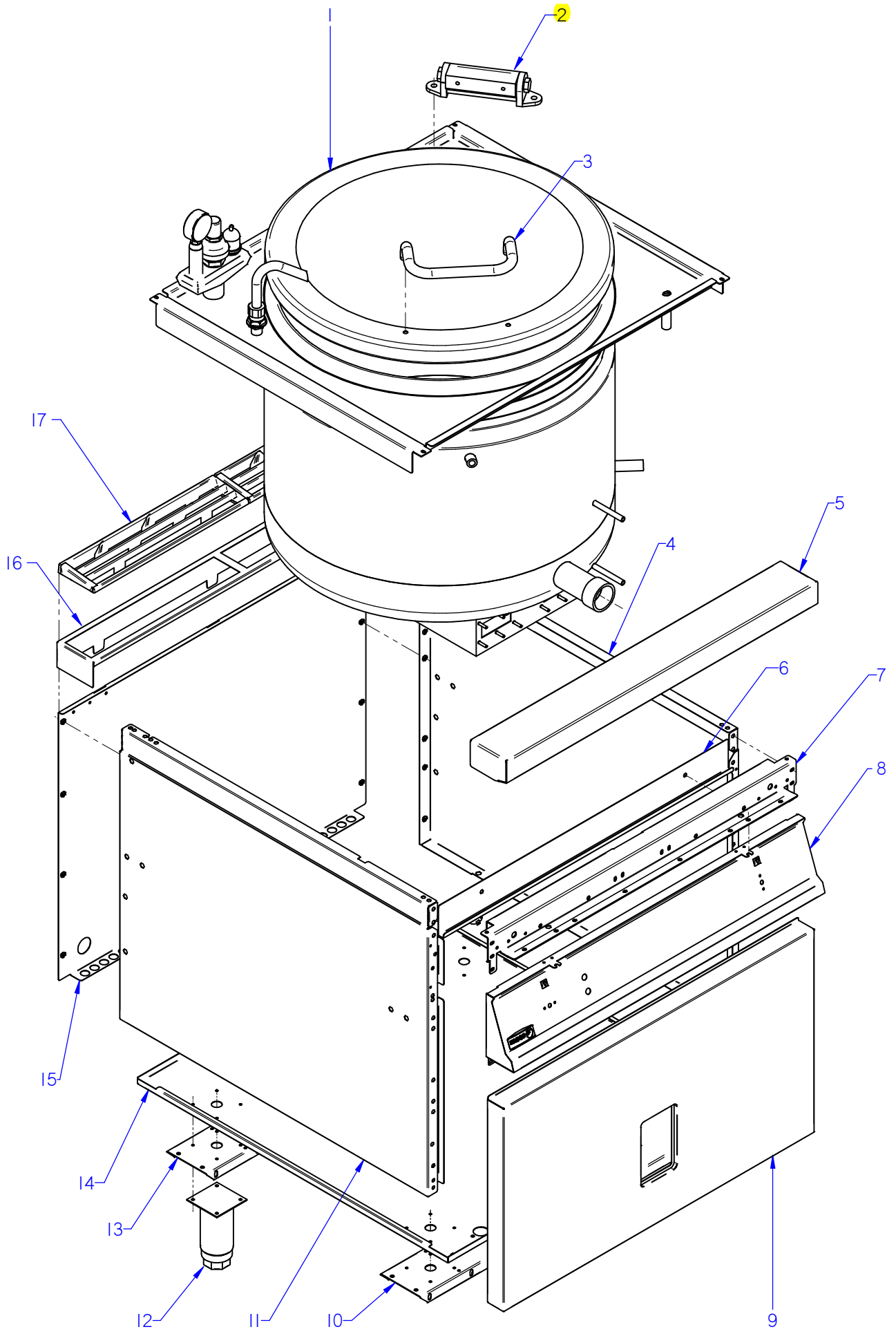
ME9-15 PLUS BM

Octubre 2011 October

Revisado Marzo 2014 March Revised



F A G O R I N D U S T R I A L

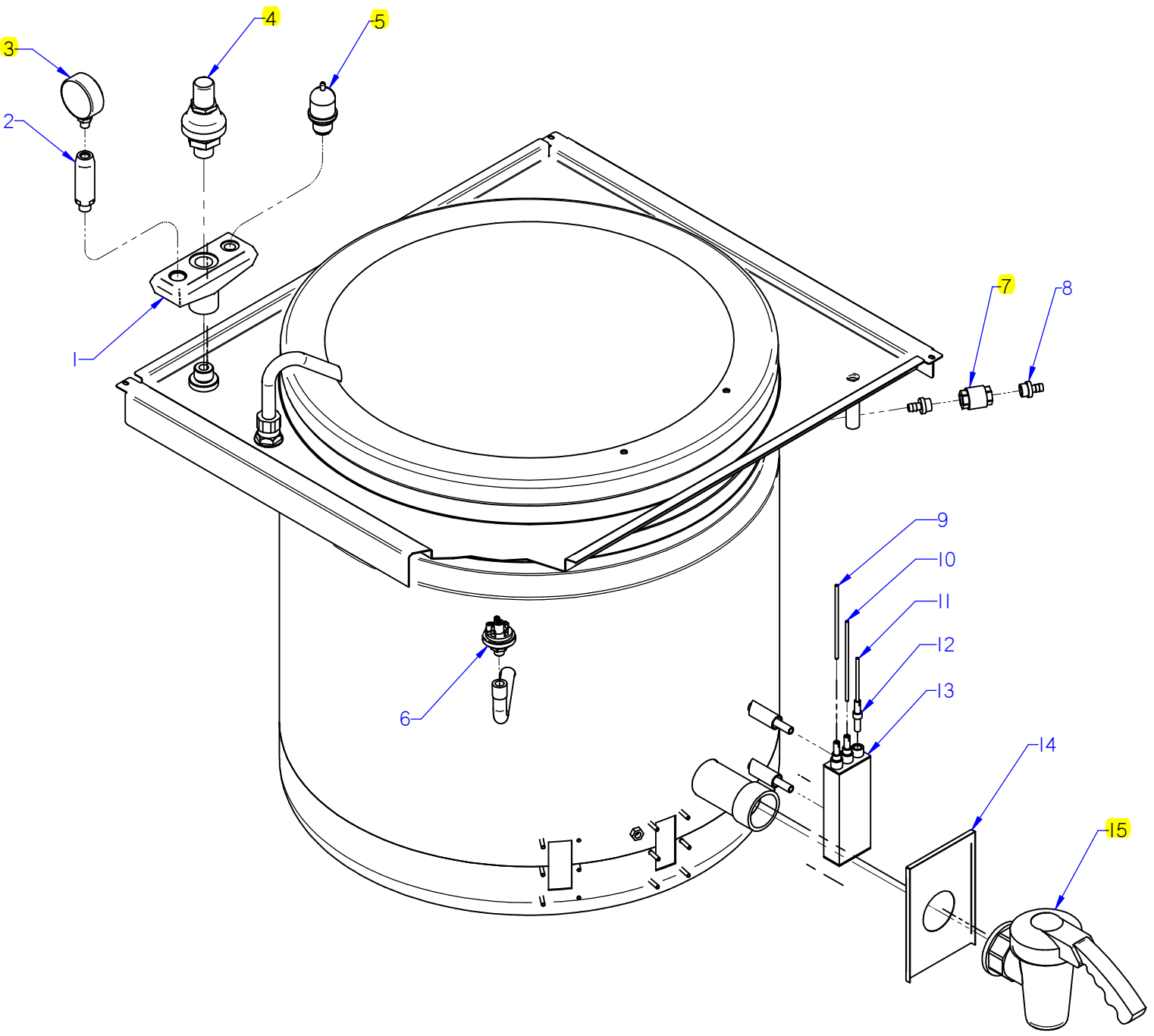


ITEM MARCADO EN COLOR = REPUESTO RECOMENDADO
 COLOURED ITEM = RECOMMENDED SPARE PART

Nº plano / N° plane	Firma	Fecha / Date	Denominación / Denomination: MUEBLE / FITTING	Lamina / Sheet	Fagor Industrial S.Coop. FAGOR
C-2912	<i>[Signature]</i>	2011-10	MARMITAS ME9-10 / 9-15 PLUS BM	1	Oñate

MOD.		MARMITAS / BOILING PANS	ZONA / ZONE	MUEBLE / FITTING				PLANO DIAGRAM		C-2912		
ITEM	CODIGO REFERENCE	DENOMINACION	DENOMINATION	ME9-10 PLUS BM	ME9-10 PLUS BMS	ME9-15 PLUS BM	ME9-15 PLUS BMS			ELIMINADO ELIMINATED	INTRODUCID. INTRODUCED	NOTAS
1	12043626	CUBA+TAPA ME9-10BM AD	TUB+COVER ME9-10 BM AD	1	1	-	-					
1	12010473	CUBA+TAPA ME9-15 BM AD	TUB+COVER ME9-15 BM AD	-	-	1	1					
S/Nº	12043625	CUBA COMPLETA ME9-10BM AD	COMPLETE TUB ME9-10BM AD	1	1	-	-					
S/Nº	12044499	CUBA COMPLETA ME9-15 BM AD	COMPLETE TUB ME9-15 BM AD	-	-	1	1					
S/Nº	12010758	TAPA COMPLETA	COMPLETE COVER	1	1	1	1					
S/Nº	S016101000	FILTRO DE CUBA	TUB FILTER	1	1	1	1					
	S036117000	SOPORTE FILTRO	FILTER SUPPORT	2	2	2	2					
	Q412000000	REMACHE TUBULAR 4x8	TUBULAR RIVET 4x8	8	8	8	8					
2	X026123000	BISAGRA ADVANCE	HINGE ADVANCE	1	1	1	1					
	Q012041000	TORNILLO EXAGONAL M6x10 A304	HEXAGONAL BOLT M6x10 A304	2	2	2	2					
3	S266124000	ASA DE TAPA AD	COVER HANDLE AD	1	1	1	1					
	S262678000	CASQUILLO AMARRE TAPA	BUSHING COVER CAP	2	2	2	2					
	Q012021000	TORNILLO EXAGONAL M4X10	HEXAGONAL BOLT M4X10	2	2	2	2					
4	X162814000	PANEL LATERAL DERECHO G900	RIGHT SIDE PANEL G900	1	-	1	-					
4	12003768	PANEL LATERAL DERECH. G9-00S	RIGHT SIDE PANEL G9-00S	-	1	-	-					
4	12003773	PANEL LATERAL DERE. MG9-15S	RIGHT SIDE PANEL MG9-15S	-	-	-	1					
	Q221343000	REMACHE EXAGONAL M6	HEXAGONAL RIVET M6	11	11	11	11					
	Q221342000	REMACHE EXAGONAL M5	HEXAGONAL RIVET M5	6	6	6	6					
	Q012053000	TORNILLO EXAGONAL M8x20 A304	HEXAGONAL BOLT M8x20 A304	2	2	2	2					
5	S105403000	ANTERIOR DE MESA 1M	BENCH FRONT 1M	1	-	1	-					
	Q152004000	TORNILLO APLAST. M5x13 A304	MUSHROOM HEAD BOLT M5x13 A	2	-	2	-					
	Q302022000	ARANDELA 16x6x1,2 A304	WASHER 16x6x1.2 A304	2	-	2	-					
7	S262607000	ESCUADRA INTERIOR MESA 1M	INTERIOR SQUARE TABLE 1M	1	1	1	1					
	Q221342000	REMACHE EXAGONAL M5	HEXAGONAL RIVET M5	2	2	2	2					
	Q152004000	TORNILLO APLAST. M5x13 A304	MUSHROOM HEAD BOLT M5x13 A	2	2	2	2					
8	S162807000	PORTAMANDOS MARMITA ELECT.	ELECT. PAN CONTROL HOLDER	1	1	1	1					
	Q152004000	TORNILLO APLAST. M5x13 A304	MUSHROOM HEAD BOLT M5x13 A	4	4	4	4					
	Q151336000	TORNILLO SOPORTE GUIAS	GUIDE SUPPORT BOLT	2	2	2	2					
	Q302022000	ARANDELA 16x6x1,2 A304	WASHER 16x6x1.2 A304	2	2	2	2					
	U022836000	ESCUDO FAGOR	FAGOR EMBLEM	1	1	1	1					
	Q221023000	CLIP SUJECIÓN RÁPIDA Ø 5	RAPID FASTENING CLIP Ø5	2	2	2	2					

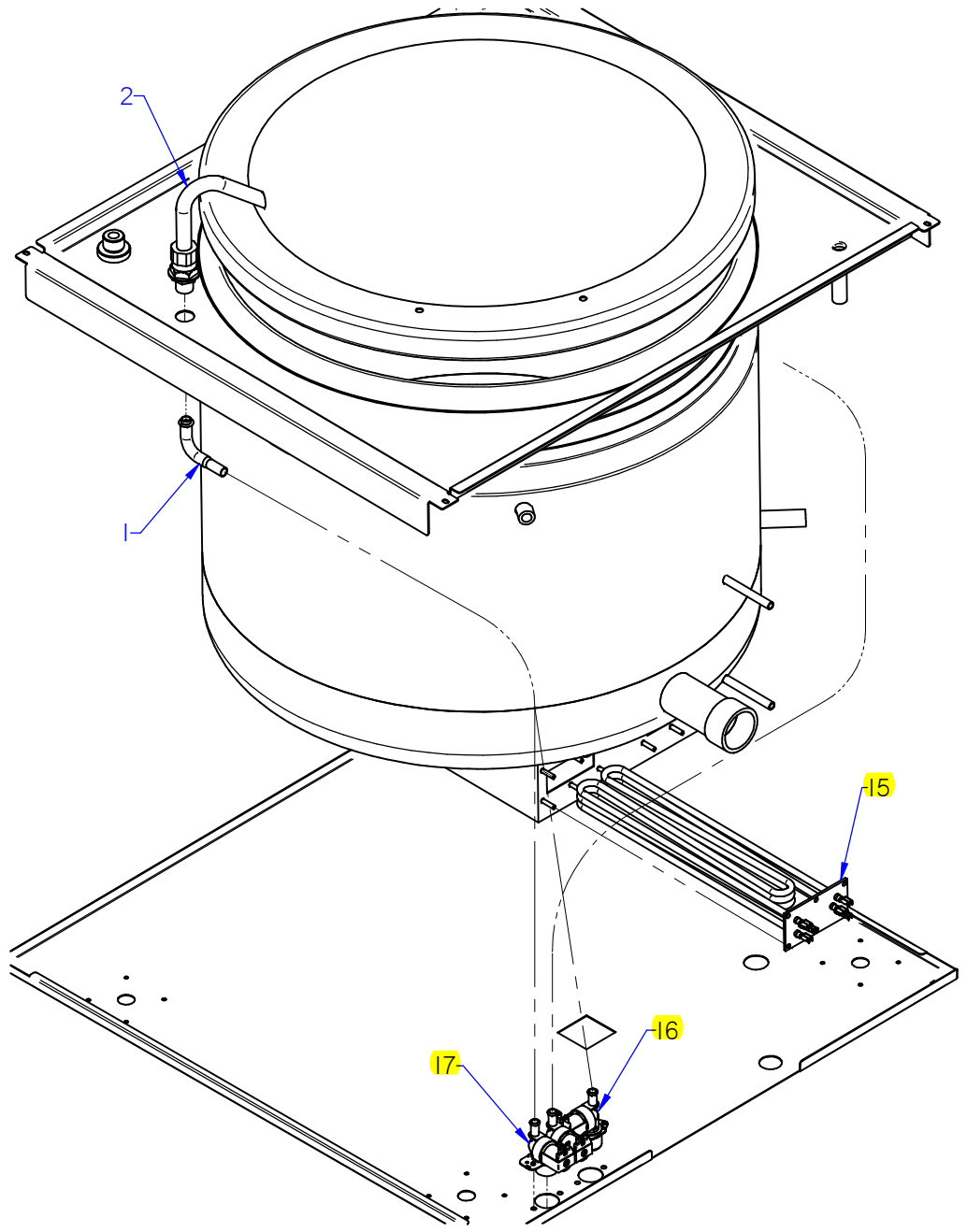
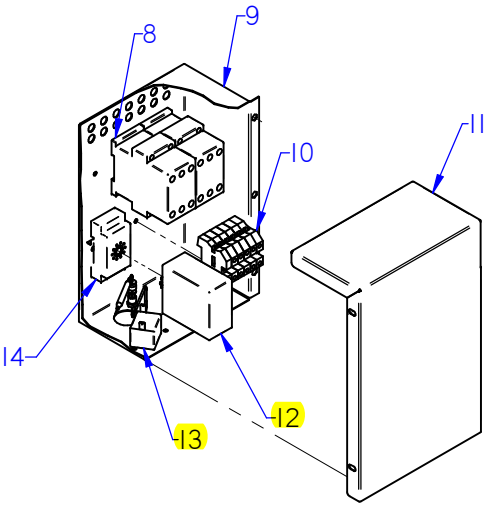
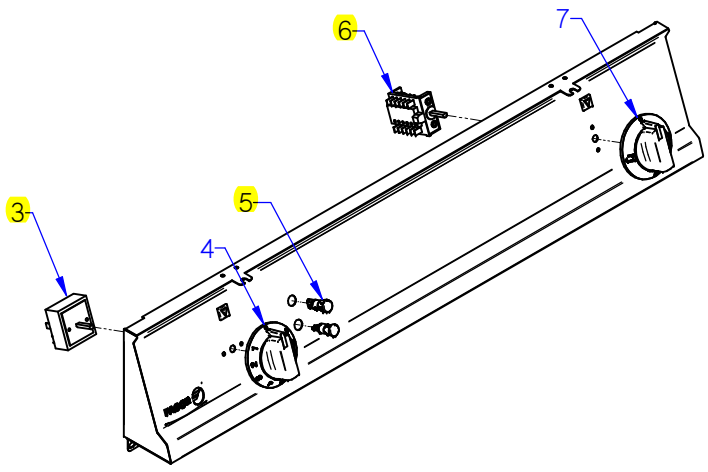
MOD.		MARMITAS / BOILING PANS	ZONA / ZONE	MUEBLE / FITTING				PLANO DIAGRAM	C-2912			
ITEM	CODIGO REFERENCE	DENOMINACION	DENOMINATION	ME9-10 PLUS BM	ME9-10 PLUS BM S	ME9-15 PLUS BM	ME9-15 PLUS BM S			ELIMINADO ELIMINATED	INTRODUCID. INTRODUCED	NOTAS
9	12002195	PANEL FRONTAL ME9-10 BM AD	FRONT PANEL ME9-10 BM AD	1	-	-	-					
9	12006559	PANEL FRONTAL ME9-10 BM S AD	FRONT PANEL ME9-10 BM S AD	-	1	-	-					
9	12002194	PANEL FRONTAL ME9-15 BM AD	FRONT PANEL ME9-15 BM AD	-	-	1	1					
	Q012042000	TORNILLO EXAGONAL M6x15	HEXAGONAL BOLT M6x15	2	2	2	2					
	Q302022000	ARANDELA 16x6x1,2 A304	WASHER 16x6x1.2 A304	2	2	2	2					
10	12005781	LISTON SOPORTE PATAS ANT.1M	FRONT LEG SUPPORT STRIP 1M	1	-	1	-					
11	X162813000	PANEL LATERAL IZQUIERDO G900	LEFT SIDE PANEL G900	1	-	1	-					
11	12003767	PANEL LATERAL IZQUIER. G900S	LEFT SIDE PANEL G900S	-	1	-	-					
11	12003772	PANEL LATERAL IZQUI. MG9-15S	LEFT SIDE PANEL MG9-15S	-	-	-	1					
	Q221343000	REMACHE EXAGONAL M6	HEXAGONAL RIVET M6	11	11	11	11					
	Q221342000	REMACHE EXAGONAL M5	HEXAGONAL RIVET M5	6	6	6	6					
	Q012053000	TORNILLO EXAGONAL M8x20 A304	HEXAGONAL BOLT M8x20 A304	2	2	2	2					
12	X260151000	PATA REGULABLE	ADJUSTABLE LEG	4	-	4	-					
	Q411304000	REMACHE AVIBULB Ø4,8	AVIBULB RIVET Ø4.8	16	-	16	-					
13	12005782	LISTON SOPORTE PATAS POS.1M	REAR LEG SUPPORT STRIP 1M	1	-	1	-					
	Q012042000	TORNILLO EXAGONAL M6x15	HEXAGONAL BOLT M6x15	8	-	8	-					
	Q302022000	ARANDELA 16x6x1,2 A304	WASHER 16x6x1.2 A304	8	-	8	-					
	Q232040000	ARANDELA A6	WASHER A6	8	-	8	-					
14	12006994	BASE INFERIOR ME900 AD	LOWER BASE ME900 AD	1	-	1	-					
14	12043661	BASE INFERIOR ME9-10PLUS BM S	LOWER BASE ME9-10PLUS BM S	-	1	-	-					
14	12043546	BASE INFERIOR ME9-15PLUS BM S	LOWER BASE ME9-15PLUS BM S	-	-	-	1					
	Q221343000	REMACHE EXAGONAL M6	HEXAGONAL RIVET M6	2	2	2	2					
	Q162040000	TUERCA EXAGONAL M6	HEXAGONAL NUT M6	4	4	4	4					
15	X022841000	PANEL POSTERIOR 1M G9-00 AD	REAR PANEL 1M G9-00 AD	1	-	1	-					
15	12006588	PANEL POSTERIOR 910-S AD	REAR PANEL 910-S AD	-	1	-	-					
15	12006843	PANEL POSTERIOR MG9-15 S	REAR PANEL MG9-15 S	-	-	-	1					
	Q419005000	REMACHE 4x8 ALMG3 / ALUMINIO	RIVET 4X8 ALMG3 / ALUMINIUM	8	8	8	8					
16	R205439000	SOPORTE EMBELLECEDOR 1M	TRIM SUPPORT 1M	1	1	1	1					
17	R205425000	EMBELLECEDOR ESMALTE	ENAMEL TRIM	2	2	2	2					



ITEM MARCADO EN COLOR = REPUESTO RECOMENDADO
 COLOURED ITEM = RECOMMENDED SPARE PART

Nº plano / N° plane	Firma	Fecha / Date	Denominación / Denomination:	VALVULAS / VALVES	Lamina / Steel	Fogor Industrial S.coop. FAGOR
C-2913	<i>(Signature)</i>	2011-10	MARMITAS ME9-10 / 9-15 PLUS BM		2	Onote

MOD.		MARMITAS / BOILING PANS	ZONA / ZONE	VALVULAS / VALVES				PLANO DIAGRAM	C-2913				
ITEM	CODIGO REFERENCE	DENOMINACION	DENOMINATION	ME9-10 PLUS BM	ME9-10 PLUS BMS	ME9-15 PLUS BM	ME9-15 PLUS BMS				ELIMINADO ELIMINATED	INTRODUCID. INTRODUCED	NOTAS
1	S022100000	SOPORTE 3 SALIDAS 22805062	3-OUTPUT SUPPORT 22805062	1	1	1	1						
	Q306063000	ARANDELA Ø34x26,7x1,5	WASHER Ø34x26.7x1.5	1	1	1	1						
2	S022102000	PORTAMANOMETRO 2210617	MANOMETERHOLDER 2210617	1	1	1	1						
	Q306066000	ARANDELA Ø23,9x16,6x3	WASHER Ø23.9X16.6X3	1	1	1	1						
3	9220815000	MANOMETRO 36303601	MANOMETER 36303601	1	1	1	1						
4	S022101000	VALVULA SEGURIDAD 01508004	SAFETY VALVE 01508004	1	1	1	1						
	Q306063000	ARANDELA Ø34x26,7x1,5	WASHER Ø34x26.7x1.5	1	1	1	1						
5	S022103000	VALVULA PRESION 01509004	PRESSURE VALVE 01509004	1	1	1	1						
	Q306064000	ARANDELA Ø29,8x24,8x1,5	WASHER Ø29.8x24.8x1.5	1	1	1	1						
6	S093000000	PRESOSTATO	PRESSOSTAT	1	1	1	1						
7	12044568	VALVULA ANTIRRETORNO 1/2"	NON-RETURN VALVE 1/2"	1	1	1	1					02,04,12	
8	12044569	BOQUILLA MANGUERA 1/2" Ø11	NOZZLE HOSE 1/2" Ø11	2	2	2	2					02,04,12	
	12010047	ABRAZADERA Fe Zn 8-14MM DIN30	CLAMP Fe Zn 8-14MM DIN3017	2	2	2	2					02,04,12	
9	R345063000	ELECTRODO DE NIVEL BAJO	LOW LEVEL ELECTRODE	1	1	1	1						
10	R345064000	ELECTRODO DE MASA	EARTH ELECTRODE	1	1	1	1						
11	R345060000	ELECTRODO DE NIVEL ALTO	HIGH LEVEL ELECTRODE	1	1	1	1						
12	R345069000	GUIA AISLANTE	INSULATION GUIDE	3	3	3	3						
13	S263001000	BOTE DE NIVELES	LEVELS VESSEL	1	1	1	1						
14	S112803000	CUBIERTA GRIFO MG-900	TAP COVER MG-900	1	1	1	1						
S/Nº	S162103000	MUELLE MARMITA ELECTRICA	ELECTRIC PAN SPRING	1	1	1	1						
15	S102125000	GRIFO VACIADO 2"	DRAINAGE TAP 2"	1	1	1	1						

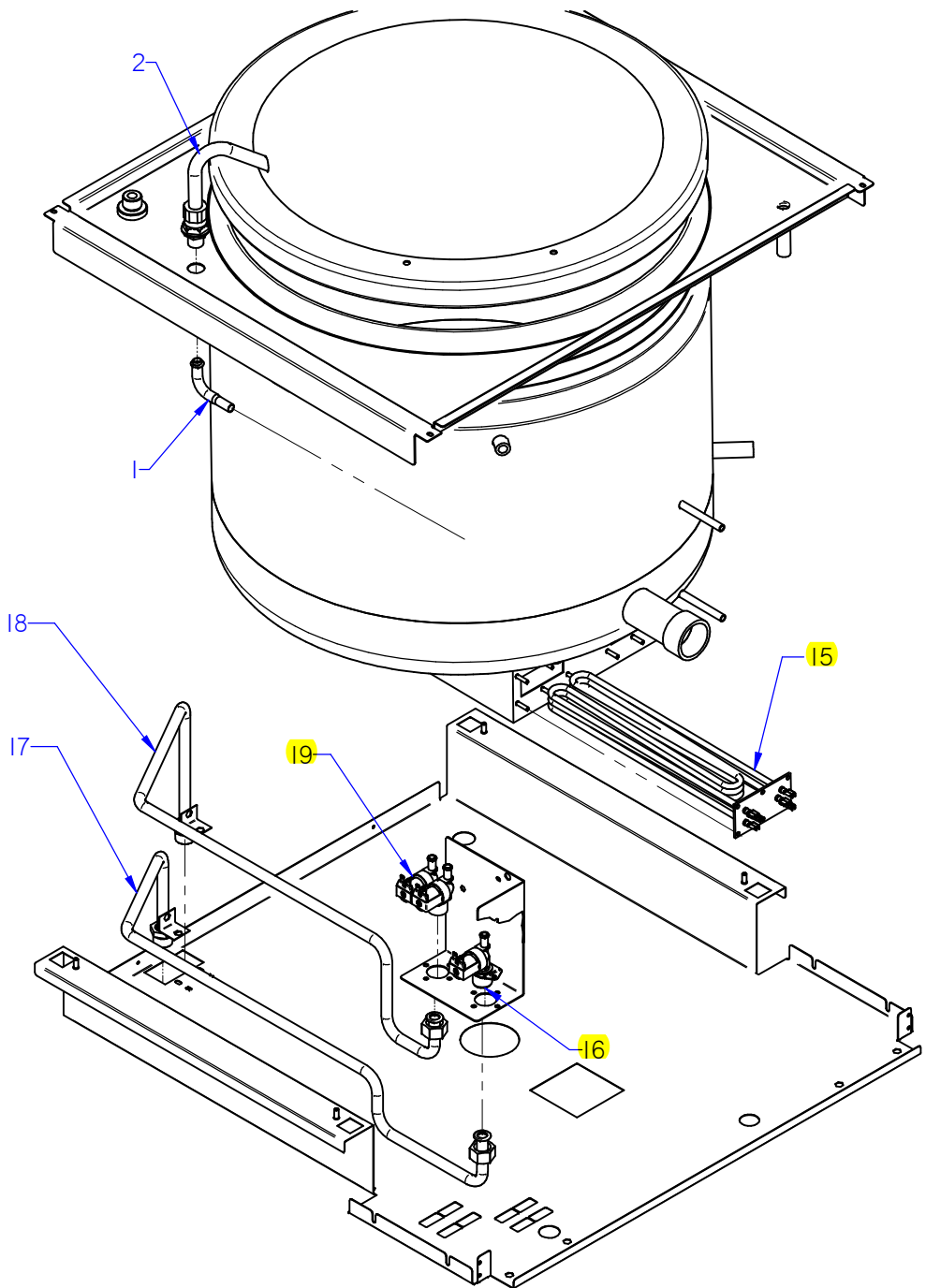
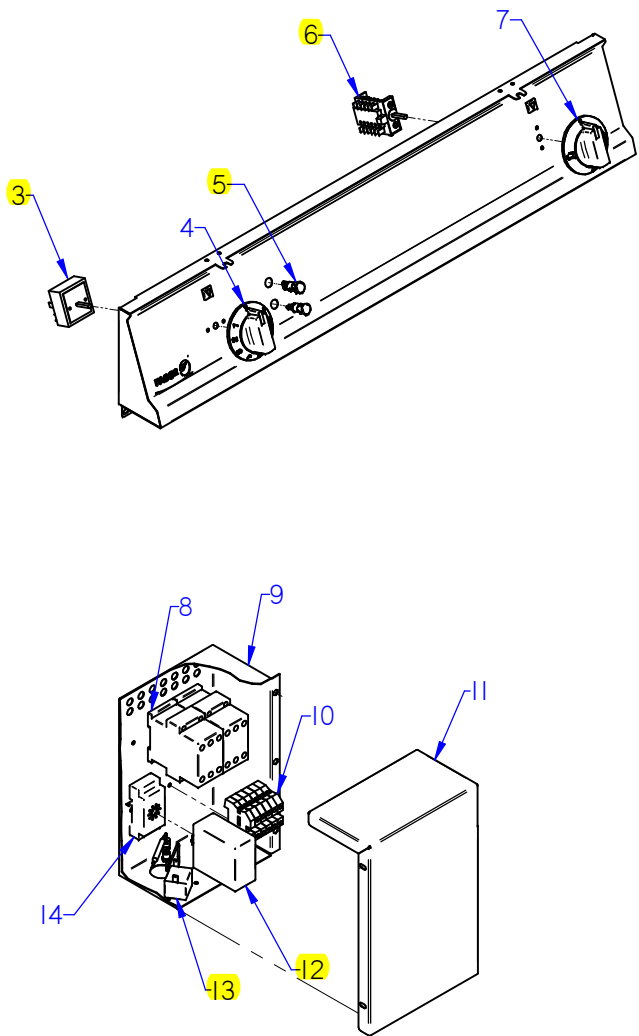


ITEM MARCADO EN COLOR = REPUESTO RECOMENDADO
 COLOURED ITEM = RECOMMENDED SPARE PART

Nº plano / N° plane C-2914	Firma <i>(Signature)</i>	Fecha / Date 2011-10	Denominación / Denomination: MARMITAS ME9-10 / 9-15 PLUS BM	Lamina / Steel 3	Fogor Industrial S. Coop. FAGOR Oñate
			PARTE FUNCIONAL / FUNCTIONAL PART		

MOD.		MARMITAS / BOILING PANS	ZONA / ZONE	PARTE FUNCIONAL / FUNCTIONAL PART							PLANO DIAGRAM	C-2914	
ITEM	CODIGO REFERENCE	DENOMINACION	DENOMINATION	ME9-10 PLUS BM	ME9-15 PLUS BM						ELIMINADO ELIMINATED	INTRODUCID. INTRODUCED	NOTAS
1	S565027000	TUBO ENTRADA TUBO LLENADO	INTAKE PIPE FILLER PIPE	1	1								
	Q306024000	JUNTA18X12.5X1.5	SEAL 18X12.5X1.5	1	1								
	Q223010000	TUERCA 1/2 GAS	NUT 1/2 GAS	1	1								
S/Nº	3676900000	TUBO GOMA NEGRA Ø 17*10	BLACK RUBBER PIPE 17*10	3	3								
	Q881308000	ABRAZADERA 8-14L	CLAMP 8-14L	6	6								
S/Nº	Z201106000	RACORD EN Y	Y-CONNECTION	1	1								
2	S052100000	TUBO LLENADO 01102113	FILLER PIPE 01102113	1	1								
3	S333001000	REGULADOR DE ENERGIA	ENERGY REGULATOR	1	1								
	Q151320000	TORN. ALOMADO M4X6 H.ZINCAD.	HEXAGONAL CURVED HEAD M4X6	2	2								
4	12009013	BOTON DE MANDO MARMITA ME9-	PAN CONTROL BUTTON ME9-	1	1								
5	R693056000	PILOTO AMBAR 41227000A4	AMBER PILOT 41227000A4	1	1						01.02.13		
5	12024669	PILOTO AMBAR Ø18	AMBER PILOT Ø18	1	1							01.02.13	
S/Nº	R693055000	PILOTO VERDE 41227000C7	GREEN PILOT 41227000C7	1	1						01.02.13		
S/Nº	12047390	PILOTO VERDE 230V AC 8KW 16M	GREEN PILOT 230V AC 8KW 16M	1	1							01.02.13	
6	R693004000	CONMUTADOR DE FUNCIONES	FUNCTIONS SWITCH	1	1								
	Q042022000	TORNILLO AVELLANADO M4X15	COUNTERSUNK BOLT M4x15	2	2								
7	12009002	MANDO AGUA MARMITA BM	WATER PAN CONTROL BM	1	1								
8	X183011000	CONTACTOR 3RT1024-1AN20 230	CONTACTOR 3RT1024-1AN20 230	2	2								
S/Nº	Z103084000	GUIA CONTACTOR L-138 "	CONTACTOR GUIDE L-138 "	1	1								
	Q419005000	REMACHE 4X8 ALMG3 / ALUMINIO	RIVET 4X8 ALMG3 / ALUMINIUM	2	2								
9	S263006000	CAJA ELECTRICA AD	ELECTRIC BOX AD	1	1								
	Q221342000	REMACHE EXAGONAL M5	HEXAGONAL RIVET M5	3	3								
	Q152004000	TORNIL. APLASTADO M5X13 A 304	FLAT HEADED SCREW M5x13 A 304	2	2								
10	Z683069000	BORNES 16	TERMINALS 16	3	3								
	Z683097000	BORNA PASO WDU16 10204.8	STEP TERMINAL WDU16 10204.8	1	1								
	Z683070000	BORNA A TIERRA WEIDMULLER	TERMINAL TO EARTH WEIDMULLER	1	1								
	Z683096000	TOPE FINAL WEW35 10590.0	END STOP WEW35 10590.0	1	1								
	Z683068000	SEÑALIZ.DEK-6WEIDMULLER	SIGNS DEK-6WEIDMULLER	1	1								
S/Nº	Z103084000	GUIA CONTACTOR L-138 "	CONTACTOR GUIDE L-138 "	1	1								
	Q419005000	REMACHE 4X8 ALMG3 / ALUMINIO	RIVET 4X8 ALMG3 / ALUMINIUM	2	2								

MOD.		MARMITAS / BOILING PANS	ZONA / ZONE	PARTE FUNCIONAL / FUNCTIONAL PART							PLANO DIAGRAM		C-2914
ITEM	CODIGO REFERENCE	DENOMINACION	DENOMINATION	ME9-10 PLUS BM	ME9-15 PLUS BM						ELIMINADO ELIMINATED	INTRODUCID. INTRODUCED	NOTAS
11	263007000	TAPA CAJA ELECTRICA AD	ELECTRIC BOX COVER AD	1	1								
	Q152004000	TORNIL. APLASTADO M5X13 A 304	FLAT HEADED SCREW M5x13	3	3								
12	R343072000	DETECTOR DE NIVELES	LEVEL DETECTOR	1	1								
13	Z213014000	LIMITADOR TECASA P.	LIMITER TECASA P.	1	1								
	Q151320000	TORN. ALOMADO M4X6 H.ZINCADG	HEXAGONAL CURVED HEAD M4X	2	2								
S/Nº	Z203060000	AMARRE LIMITADOR TECASA	LIMITER FASTENING TECASA	1	1								
	Q221341000	REMACHE EXAGONAL M4	HEXAGONAL RIVET M4	2	2								
	Q012021000	TORNILLO EXAGONAL M4X10	HEXAGONAL BOLT M4X10	2	2								
14	R743009000	BASE ENCHUFABLE UNDECAL	UNDECAL BASE PLUG	1	1								
15	T723038000	RESISTENCIA 3X3000W 230V	RESISTOR 3X3000W 230V	2	2								
	Q163030000	TUERCA EXAGONAL M5 LATON	HEXAGONAL NUT M5 BRASS	12	12								
S/Nº	T323007000	JUNTA RESISTENCIA CALDERIN	RESISTOR SEAL	2	2								
16	Z701135000	ELECTROVALVULA SIMP. 220V	SIMPLE SOLENOID VALVE 220V	1	1								
17	P255001000	ELECTROVALVULA DOBLE	DOUBLE SOLENOID VALVE	1	1								
	Z601156000	REGULADOR 8L RO. 254.034	REGULATOR 8L RED 254.034	2	2						12.09.11		
	Z601156000	REGULADOR 8L RO. 254.034	REGULATOR 8L RED 254.034	1	1						11.11.13	12.09.11	
	12096626	REGULADOR 8L ROJO	REGULATOR 8L RED	1	1							11.11.13	
	Q032021000	TORNILLO ALOMADO M4X10	CURVED SCREW M4X10	4	4								
S/Nº	12024115	MANGUERA ENTRADA AGUA	WATER INTAKE HOSE	2	2							12.09.11	



ITEM MARCADO EN COLOR = REPUESTO RECOMENDADO
 COLOURED ITEM = RECOMMENDED SPARE PART

Nº plano / N° plane	Firma	Fecha / Date	Denominación / Denomination:	PARTIE FUNCIONAL / FUNCTIONAL PART	Lamina / Sheet
C-2914a	<i>(Signature)</i>	2011-10	MARMITAS ME9-10 / 9-15 PLUS BMS	3	Fogor Industrial S.coop. FAGOR
Oñate					

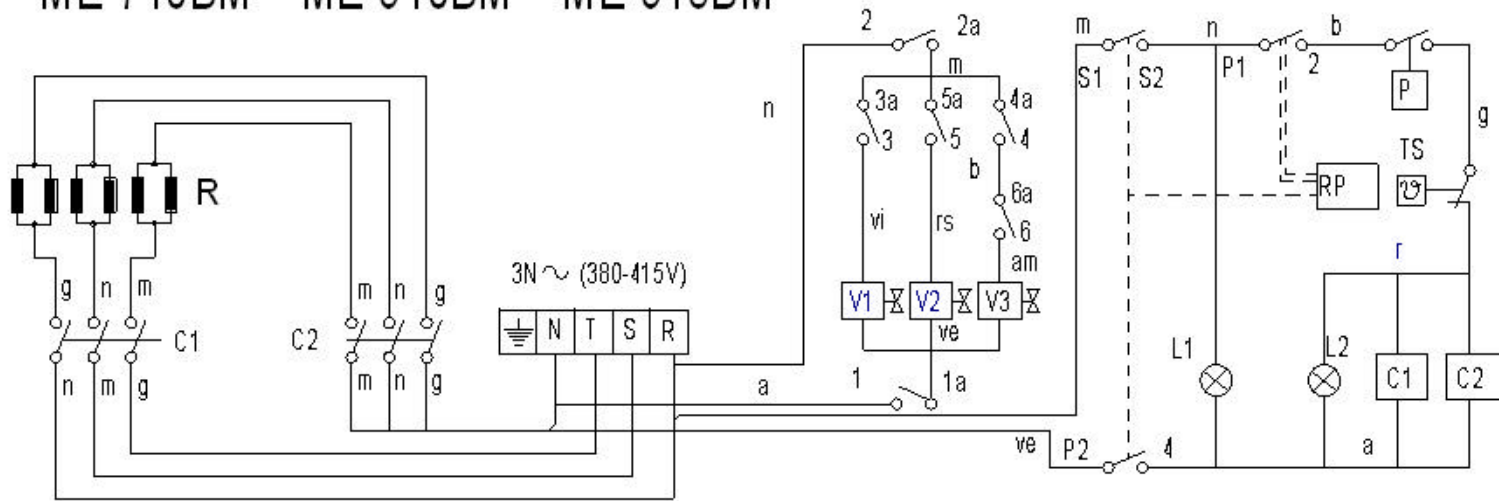
MOD.		MARMITAS / BOILING PANS	ZONA / ZONE	PARTE FUNCIONAL / FUNCTIONAL PART							PLANO DIAGRAM	C-2914a	
ITEM	CODIGO REFERENCE	DENOMINACION	DENOMINATION	ME9-10 PLUS BMS	ME9-15 PLUS BMS						ELIMINADO ELIMINATED	INTRODUCID. INTRODUCED	NOTAS
1	S565027000	TUBO ENTRADA TUBO LLENADO	INTAKE PIPE FILLER PIPE	1	1								
	Q306024000	JUNTA18X12.5X1.5	SEAL 18X12.5X1.5	1	1								
	Q223010000	TUERCA 1/2 GAS	NUT 1/2 GAS	1	1								
S/Nº	3676900000	TUBO GOMA NEGRA Ø 17*10	BLACK RUBBER PIPE 17*10	3	3								
	Q881308000	ABRAZADERA 8-14L	CLAMP 8-14L	6	6								
S/Nº	Z201106000	RACORD EN Y	Y-CONNECTION	1	1								
2	S052100000	TUBO LLENADO 01102113	FILLER PIPE 01102113	1	1								
3	S333001000	REGULADOR DE ENERGIA	ENERGY REGULATOR	1	1								
	Q151320000	TORN. ALOMADO M4X6 H.ZINCAD.	HEXAGONAL CURVED HEAD M4X6	2	2								
4	12009013	BOTON DE MANDO MARMITA ME9-	PAN CONTROL BUTTON ME9-	1	1								
5	R693056000	PILOTO AMBAR 41227000A4	AMBER PILOT 41227000A4	1	1						01.02.13		
5	12024669	PILOTO AMBAR Ø18	AMBER PILOT Ø18	1	1							01.02.13	
S/Nº	R693055000	PILOTO VERDE 41227000C7	GREEN PILOT 41227000C7	1	1						01.02.13		
S/Nº	12047390	PILOTO VERDE 230V AC 8KW 16M	GREEN PILOT 230V AC 8KW 16M	1	1							01.02.13	
6	R693004000	CONMUTADOR DE FUNCIONES	FUNCTIONS SWITCH	1	1								
7	12009002	MANDO AGUA MARMITA BM	WATER PAN CONTROL BM	1	1								
8	X183011000	CONTACTOR 3RT1024-1AN20 230	CONTACTOR 3RT1024-1AN20 230	2	2								
S/Nº	Z103084000	GUIA CONTACTOR L-138 "	CONTACTOR GUIDE L-138 "	1	1								
	Q419005000	REMACHE 4X8 ALMG3 / ALUMINIO	RIVET 4X8 ALMG3 / ALUMINIUM	2	2								
9	S263006000	CAJA ELECTRICA AD	ELECTRIC BOX AD	1	1								
	Q221342000	REMACHE EXAGONAL M5	HEXAGONAL RIVET M5	3	3								
	Q152004000	TORNIL. APLASTADO M5X13 A 304	FLAT HEADED SCREW M5x13 A 304	2	2								
10	Z683069000	BORNES 16	TERMINALS 16	3	3								
	Z683097000	BORNA PASO WDU16 10204.8	STEP TERMINAL WDU16 10204.8	1	1								
	Z683070000	BORNA A TIERRA WEIDMULLER	TERMINAL TO EARTH WEIDMULLER	1	1								
	Z683096000	TOPE FINAL WEW35 10590.0	END STOP WEW35 10590.0	1	1								
	Z683068000	SEÑALIZ.DEK-6WEIDMULLER	SIGNS DEK-6WEIDMULLER	1	1								
S/Nº	Z103084000	GUIA CONTACTOR L-138 "	CONTACTOR GUIDE L-138 "	1	1								
	Q419005000	REMACHE 4X8 ALMG3 / ALUMINIO	RIVET 4X8 ALMG3 / ALUMINIUM	2	2								
11	263007000	TAPA CAJA ELECTRICA AD	ELECTRIC BOX COVER AD	1	1								
	Q152004000	TORNIL. APLASTADO M5X13 A 304	FLAT HEADED SCREW M5x13	3	3								

MOD.	MARMITAS / BOILING PANS		ZONA / ZONE	PARTE FUNCIONAL / FUNCTIONAL PART							PLANO DIAGRAM		C-2914a
ITEM	CODIGO REFERENCE	DENOMINACION	DENOMINATION	ME9-10 PLUS BMS	ME9-15 PLUS BMS						ELIMINADO ELIMINATED	INTRODUCID. INTRODUCED	NOTAS
12	12024209	DETECTOR DE NIVELES	LEVEL DETECTOR	1	1								
13	Z213014000	LIMITADOR TECASA P.	LIMITER TECASA P.	1	1								
	Q151320000	TORN. ALOMADO M4X6 H.ZINCADC	HEXAGONAL CURVED HEAD M4X6	2	2								
S/Nº	Z203060000	AMARRE LIMITADOR TECASA	LIMITER FASTENING TECASA	1	1								
	Q221341000	REMACHE EXAGONAL M4	HEXAGONAL RIVET M4	2	2								
	Q012021000	TORNILLO EXAGONAL M4X10	HEXAGONAL BOLT M4X10	2	2								
14	R743009000	BASE ENCHUFABLE UNDECAL	UNDECAL BASE PLUG	1	1								
15	T723038000	RESISTENCIA 3X3000W 230V	RESISTOR 3X3000W 230V	2	2								
	Q163030000	TUERCA EXAGONAL M5 LATON	HEXAGONAL NUT M5 BRASS	12	12								
S/Nº	T323007000	JUNTA RESISTENCIA CALDERIN	RESISTOR SEAL	2	2								
16	12025161	ELECTROVALVULA SIMP. 220V	SIMPLE SOLENOID VALVE 220V	1	1								
17	12041558	CONDUCCION AGUA CALIENTE	HOT WATER PIPE	1	1							12.01.12	
18	12041556	CONDUCCION AGUA FRIA	COLD WATER PIPE	1	1							12.01.12	
S/Nº	12010191	JUNTA TUBO 14X24X3	SEAL PIPE 14X24X3	2	2							12.04.13	
19	12023794	ELECTROVALVULA DOBLE	DOUBLE SOLENOID VALVE	1	1								
	Z601156000	REGULADOR 8L RO. 254.034	REGULATOR 8L RED 254.034	2	2								
	Z601156000	REGULADOR 8L RO. 254.034	REGULATOR 8L RED 254.034	1	1						11.11.13	12.09.11	
	12096626	REGULADOR 8L ROJO	REGULATOR 8L RED	1	1							11.11.13	
	Q032021000	TORNILLO ALOMADO M4X10	CURVED SCREW M4X10	4	4								

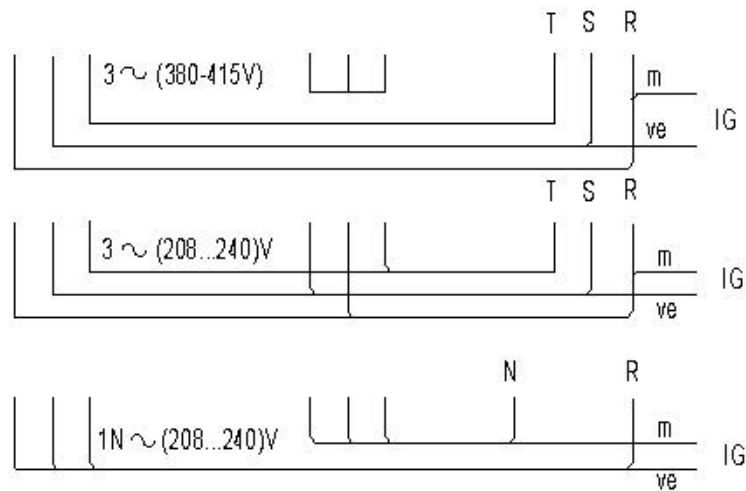
MOD.		MARMITAS / BOILING PANS	ZONA / ZONE	VARIOS / MISCELLANEOUS								PLANO DIAGRAM		
ITEM	CODIGO REFERENCE	DENOMINACION	DENOMINATION	ME9-10 PLUS BM	ME9-10 PLUS BMS	ME9-15 PLUS BM	ME9-15 PLUS BMS					ELIMINADO ELIMINATED	INTRODUCID. INTRODUCED	NOTAS
	S236501000	FOLLETO DE INSTRUCCIONES ME	INSTRUCTION LEAFLET ME	1	1	1	1							
	S333003000	ESQUEMA TEORICO ADHESIVO	THEOR. DIAGRAM LABEL	1	1	1	1							PLANO HC-72844
	S333002000	PLANO DE MONTAJE	ASSEMBLY PLAN	1	1	1	1							PLANO HC-72843
	12023614	CABLEAD. REGLETA CONTACTOR	WIRING CONTACTOR STRIP	2	2	2	2							
	S163002000	CABLE. RESISTENCIAS ME9-10BM	CABLE. RESISTORS ME9-10BM	1	1	1	1					13.02.12		
	12043508	CABLEADO. ME 910 BM AD	WIRING ME 910 BM AD	2	2	2	2						13.02.12	
	12041380	CABLEADO ENTRADA AGUA	WIRING IN WATER			1	1					13.02.12		
	S333000000	CABLEADO CONTACTOR RESIST.	RESIST. CONTACTOR WIRING	1	1	1	1					13.02.12		
	12002158	LEYENDA SARTEN BASCULANTE	TILTING PAN LEGEND	1	1	1	1						13.02.12	
	12046142	CABLEAD.TENSOR PORTAMANDOS	CONTROL HOLDER WIRING TEN.	1	1	1	1						01.10.12	

MOD.	MARMITAS / BOILING PANS		ZONA / ZONE	REPUESTOS RECOMENDADOS RECOMMENDED SPARE PART				PLANO DIAGRAM				
ITEM	CODIGO REFERENCE	DENOMINACION	DENOMINATION	ME9-10 PLUS BM	ME9-10 PLUS BMS	ME9-15 PLUS BM	ME9-15 PLUS BMS			ELIMINADO ELIMINATED	INTRODUCID. INTRODUCED	NOTAS
2	X026123000	BISAGRA ADVANCE	HINGE ADVANCE	1	1	1	1					C-2912
3	9220815000	MANOMETRO 36303601	MANOMETER 36303601	1	1	1	1					C-2913
4	S022101000	VALVULA SEGURIDAD 01508004	SAFETY VALVE 01508004	1	1	1	1					C-2913
5	S022103000	VALVULA PRESION 01509004	PRESSURE VALVE 01509004	1	1	1	1					C-2913
7	12044568	VALVULA ANTIRRETORNO 1/2"	NON-RETURN VALVE 1/2"	1	1	1	1				02,04,12	C-2913
15	S102125000	GRIFO VACIADO 2"	DRAINAGE TAP 2"	1	1	1	1					C-2913
3	S333001000	REGULADOR DE ENERGIA	ENERGY REGULATOR	1		1						C-2914
5	12024669	PILOTO AMBAR Ø18	AMBER PILOT Ø18	1		1					01.02.13	C-2914
S/Nº	12047390	PILOTO VERDE 230V AC 8KW 16MM	GREEN PILOT 230V AC 8KW 16MM	1		1					01.02.13	C-2914
6	R693004000	CONMUTADOR DE FUNCIONES	FUNCTIONS SWITCH	1		1						C-2914
12	R343072000	DETECTOR DE NIVELES	LEVEL DETECTOR	1		1						C-2914
13	Z213014000	LIMITADOR TECASA P.	LIMITER TECASA P.	1		1						C-2914
15	T723038000	RESISTENCIA 3X3000W 230V	RESISTOR 3X3000W 230V	2		2						C-2914
16	Z701135000	ELECTROVALVULA SIMP. 220V	SIMPLE SOLENOID VALVE 220V	1		1						C-2914
17	P255001000	ELECTROVALVULA DOBLE	DOUBLE SOLENOID VALVE	1		1						C-2914
3	S333001000	REGULADOR DE ENERGIA	ENERGY REGULATOR		1		1					C-2914a
5	12024669	PILOTO AMBAR Ø18	AMBER PILOT Ø18		1		1				01.02.13	C-2914a
S/Nº	12047390	PILOTO VERDE 230V AC 8KW 16MM	GREEN PILOT 230V AC 8KW 16MM		1		1				01.02.13	C-2914a
6	R693004000	CONMUTADOR DE FUNCIONES	FUNCTIONS SWITCH		1		1					C-2914a
12	12024209	DETECTOR DE NIVELES	LEVEL DETECTOR		1		1					C-2914a
13	Z213014000	LIMITADOR TECASA P.	LIMITER TECASA P.		1		1					C-2914a
15	T723038000	RESISTENCIA 3X3000W 230V	RESISTOR 3X3000W 230V		2		2					C-2914a
16	12025161	ELECTROVALVULA SIMP. 220V	SIMPLE SOLENOID VALVE 220V		1		1					C-2914a
19	12023794	ELECTROVALVULA DOBLE	DOUBLE SOLENOID VALVE		1		1					C-2914a

ME-710BM ME-910BM ME-915BM



- IG: Interruptor general
- C1, C2: Contactor de calentamiento
- L1: Lám para funcionamiento
- L2: Lám para calentamiento
- P: Presostato 0,3 bares
- R: Resistencias
- RP: Regulador de energía.
- TS: Termostato Seguridad (125°)
- V1: Válvula Agua Caliente
- V2: Válvula Agua Fria
- V3: Válvula Agua Cámara

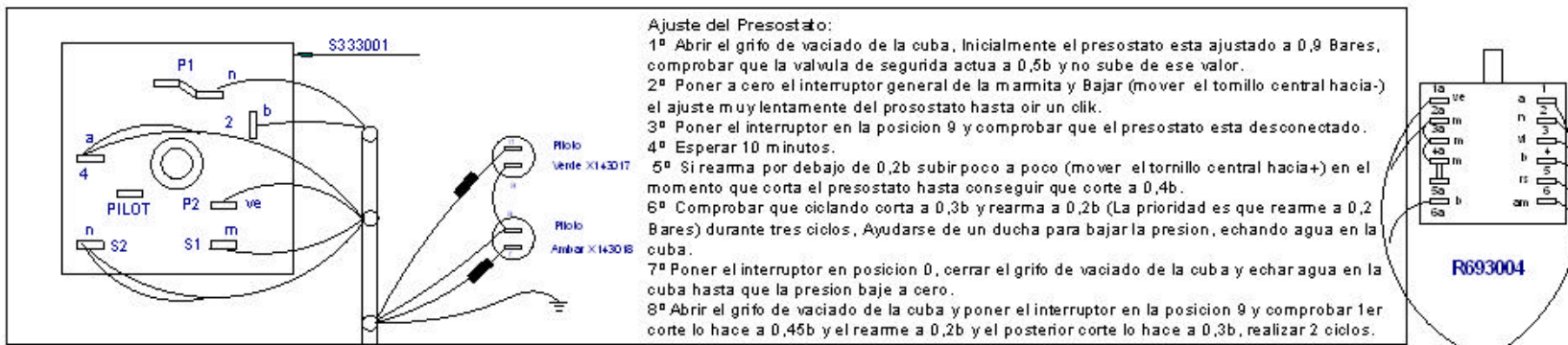


POSICION	%	±2%	P1 - 2		P2 - 4	S1 - S2
			TON	TON+TOF		
0	0	0	0	∞		
52°	6%	3"	45"	X	X	
84°	10%	4"	38"	X	X	
116°	15%	5"	32"	X	X	
148°	25%	7"	29"	X	X	
180°	30%	9"	30"	X	X	
212°	40%	13"	32"	X	X	
244°	55%	21"	37"	X	X	
276°	75%	45"	60"	X	X	
308°	100%	∞	∞	X	X	

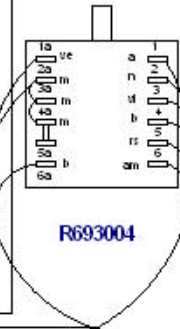
- ve = verde-green-vert
- r = rojo-red-rouge
- m = marron-brown-marron
- g = gris-grey-gris
- n = negro-black-noir
- a = azul-blue-bleu
- b = blanco-white-blanc
- vi = violeta-violette-violet
- am/ve = amarillo/verde
- yellow/green-jaune/vert

S333003000

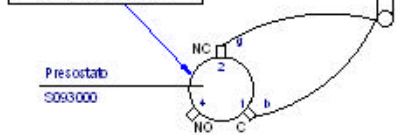
Esquema teórico ME-710BM, ME-910BM		S333003000	
N°	Pieza	Material	N° Clasificación
N°	Modificación	Proyectado de	Fecha
1	Introducción Tabla del Regulador de Energía	M. Mailló	09-05-2003
		Toleancias generales	
		<3%	60-100%
		5-25%	>100%
		25-50%	<3%
		Mecanizado a medida	
Dibujado		FINA	Fecha
Proyectado		KONTXI	31-05-1997
Comprobado		M. Mailló	31-05-1997
Escala		FAGOR	
		Fagor Industrial/Coop.ER. Migata	
		MARMITA ELECTRICA	
		Plano número HC-72844 -1	
		Sección al N°	
		Sección por	



Ajuste del Presostato:
 1º Abrir el grifo de vaciado de la cuba, inicialmente el presostato esta ajustado a 0,9 Bares, comprobar que la valvula de seguridad actua a 0,5b y no sube de ese valor.
 2º Poner a cero el interruptor general de la marmita y Bajar (mover el tomillo central hacia-) el ajuste muy lentamente del presostato hasta oír un click.
 3º Poner el interruptor en la posición 9 y comprobar que el presostato esta desconectado.
 4º Esperar 10 minutos.
 5º Si reama por debajo de 0,2b subir poco a poco (mover el tornillo central hacia+) en el momento que corta el presostato hasta conseguir que corte a 0,4b.
 6º Comprobar que ciclando corta a 0,3b y rearma a 0,2b (La prioridad es que rearme a 0,2 Bares) durante tres ciclos, Ayudarse de una ducha para bajar la presion, echando agua en la cuba.
 7º Poner el interruptor en posición 0, cerrar el grifo de vaciado de la cuba y echar agua en la cuba hasta que la presion baje a cero.
 8º Abrir el grifo de vaciado de la cuba y poner el interruptor en la posición 9 y comprobar 1er corte lo hace a 0,45b y el rearme a 0,2b y el posterior corte lo hace a 0,3b, realizar 2 ciclos.

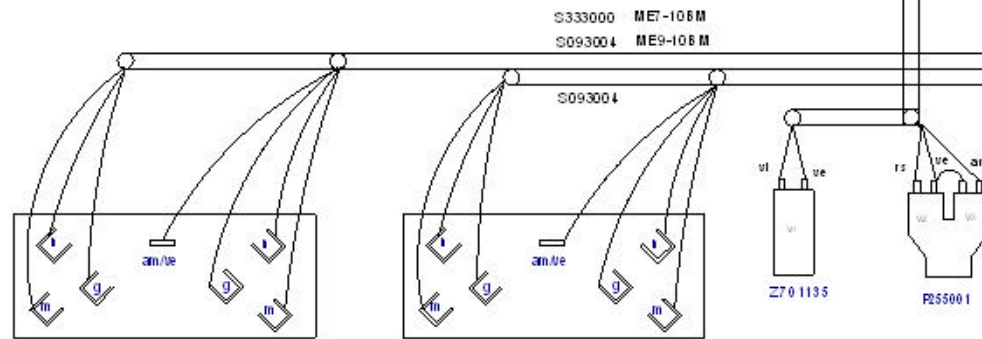
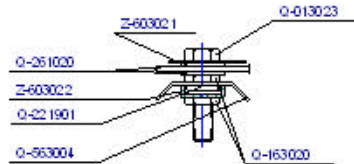
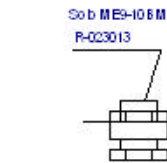


¡OJO MUY IMPORTANTE!
 Apretar con la mano de forma muy suave y luego apretar con la llave.

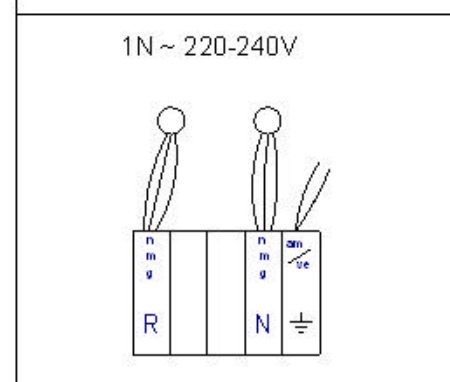
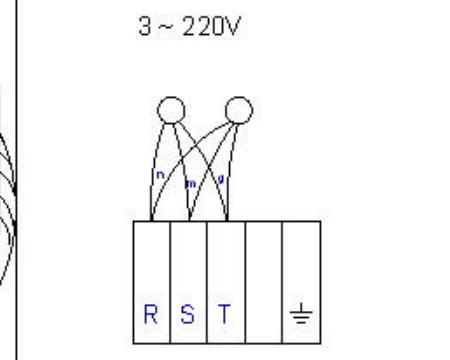


Esquema de bobinas

S333001	ME7-106 M
S333030	ME9-xx 6M
S333030	MP9-xx 6M



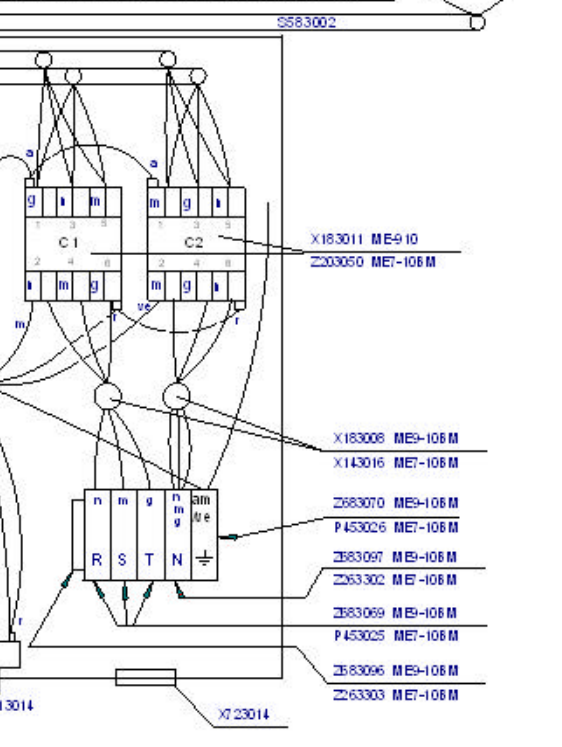
ME9-106M Z721701 9,6 kW 230V
 ME7-106 M R143000 9kW 230V



3 ~ 380-440V SIN NEUTRO

■ U603072 R: 150k W 1/4W

Cambiar regulador de energia S333001 por HD63011
 ME9-10 BM: Cambiar Contactor X183011 por X183067
 ME7-106M: Cambiar Contactor Z203050 por HD63010
 Cambiar cable verde de 2C2 a 4C1



Plano de montaje 380-415V		S-333002			
Nº	Pieza	Cart.	Material	Nº Clasificación	Acabado
1	De R143000 a Z721701 en ME710		Plazaola	9-2-99	To Errores generales
2	Introducir Versión 400V sin Neutro		M.Mallo	28-09-2006	<3± : 60-100± : 5-25± : >100± 25-50± : <0±
3	CAMBIA R DE RESISTENCIAS		M.Mallo	08-05-2007	
4	Plazaola sigue fabricando la tarjeta		e. carascal	2008-03-06	
Dibujado		FINA	FECHA	Mecanizado aoperativo	
Proyectado		HONTXI	19/6/97		
Comprobado				Fagor Industrial/Coop. Eik, Miragiba	
Ejecab				Plano de montaje	
		MARMITAK		HC-72843-04	
		Plano de cableado de montaje de la marmita		Sustituye al Nº	
				Sustituido por	