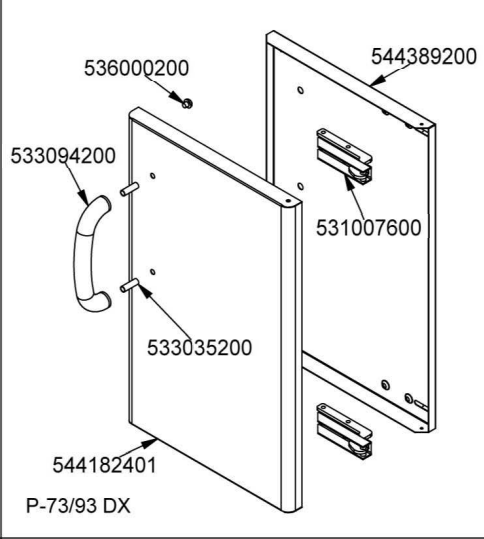
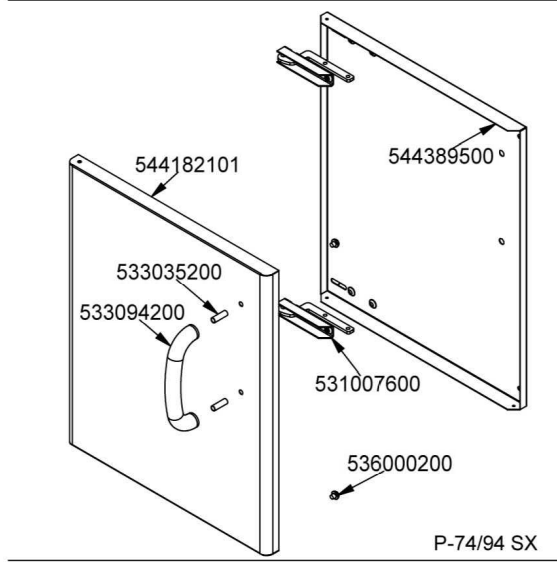


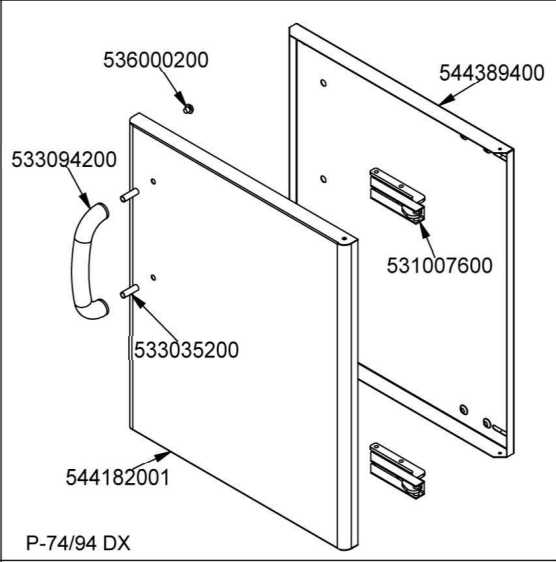
P-73/93 SX



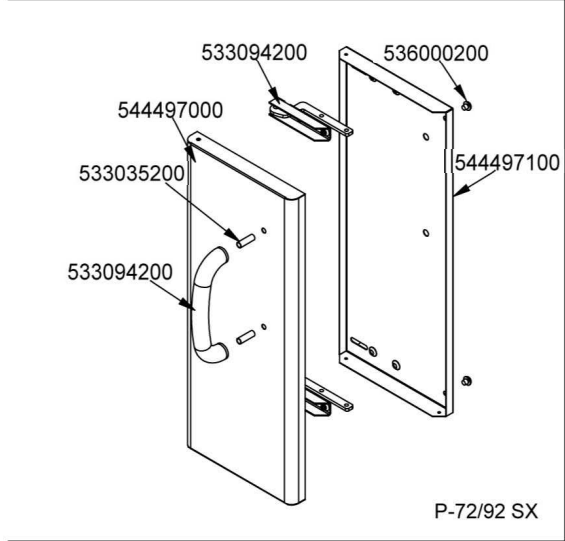
P-73/93 DX



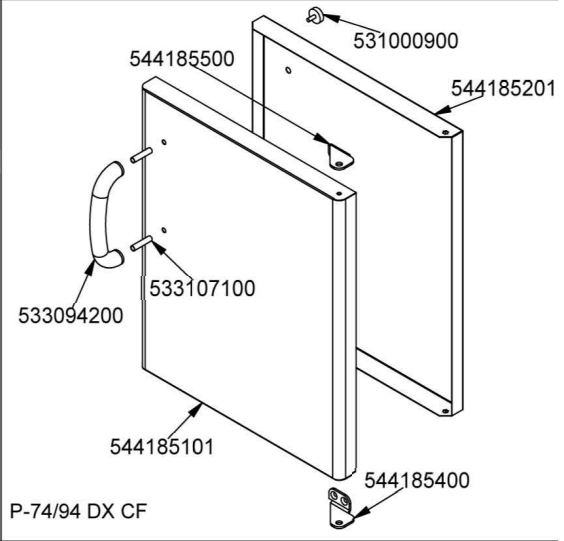
P-74/94 SX



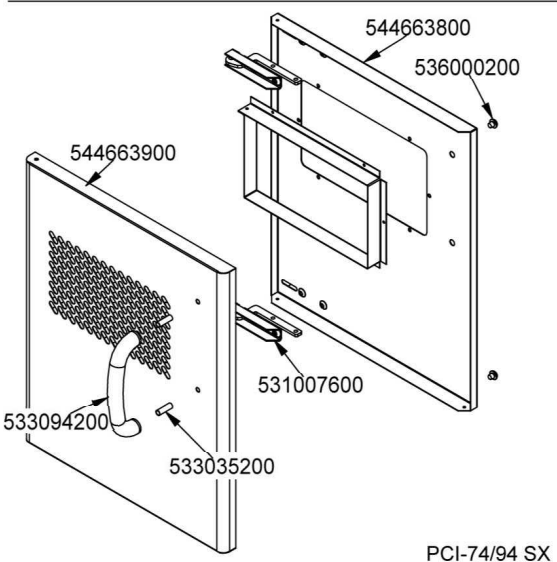
P-74/94 DX



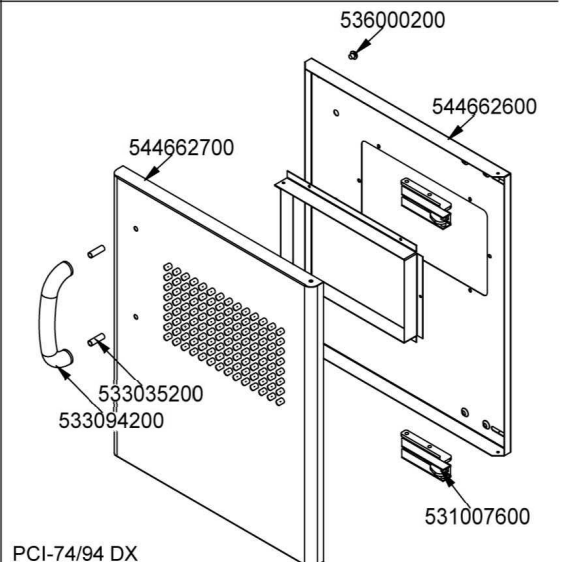
P-72/92 SX



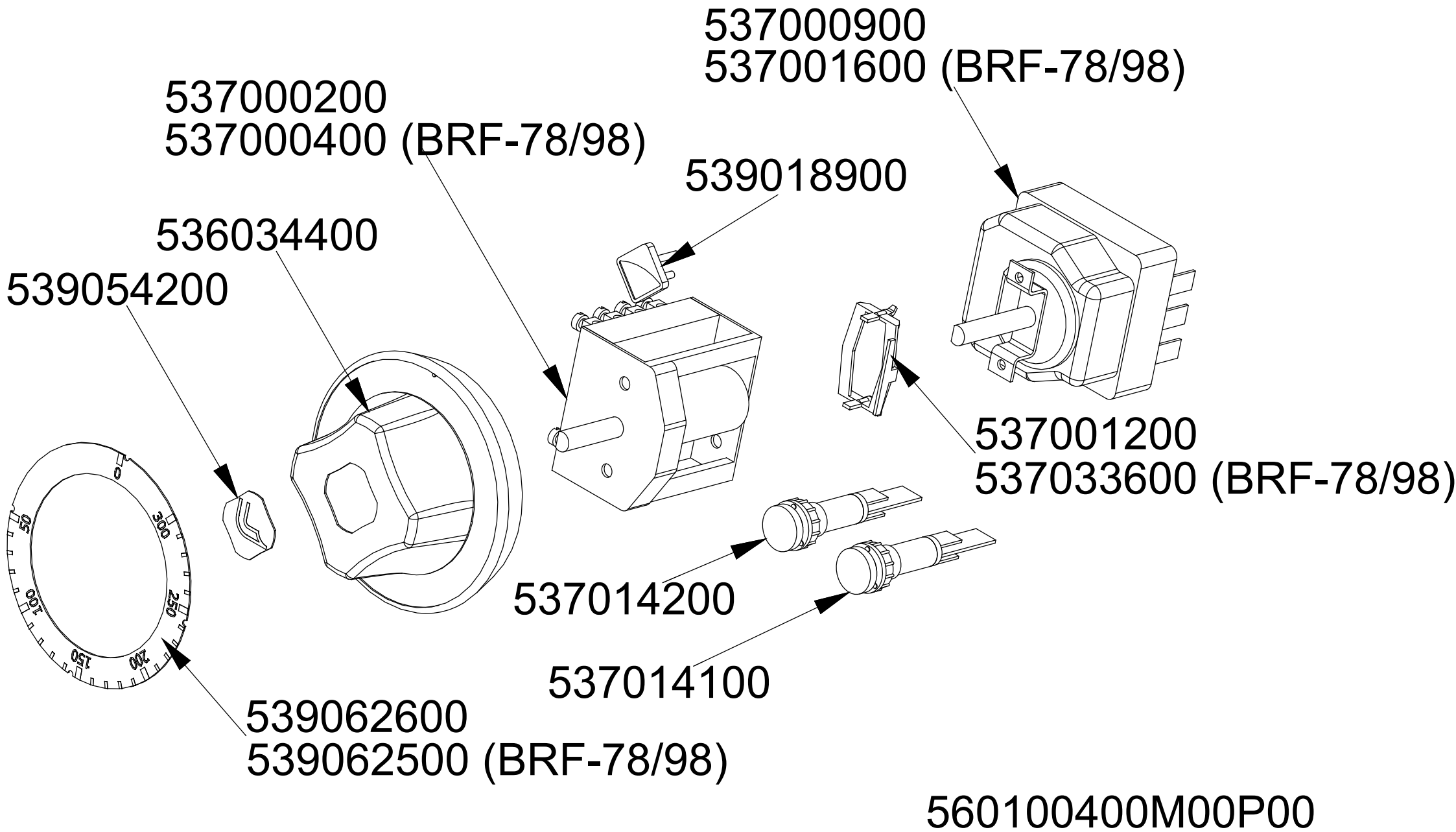
P-74/94 DX CF



PCI-74/94 SX



PCI-74/94 DX



Page	Pos	Code	Description
001		541134000	NEUTRAL LOW SPACER 74
001		541114100	UPPER PLATE BRF-74E
001		536001700	GRIP D.25*19*M6
001		536022101	PLUG FOR BRF BASIN
001		537029500	HEATING EL. BRF 70 W2000 V230
001		537027400	TERMINAL BLOCK THREEPHASE 40A
001		544173500	LEFT SIDE PANEL S.70
001		537012800	SAFETY THERMOSTAT 420°C THREEPHASE
001		537036500	TERMINAL BLOCK 4POLES 40A SCREW-SCR
001		541107500	CONTROL PANEL F13/18-74E
001		531015700	LHD TELESCOPIC GUIDE RS50 L=570
001		544381800	GN1/1 LID BRF W/MANUAL DISCHARGE
001		25035335	
001		531015600	RHD TELESCOPIC GUIDE RS50 L=570
001		536005200	INOX LEG 2" 120-180 M10
001		544173400	RIGHT SIDE PANEL S.70
002		544389300	CONTROP.73 SX APP. LT
002		531007600	DOOR HINGE
002		544182501	LEFT DOOR 73
002		533094200	S/S HANDLE FOR 70/90 SERIES
002		533035200	HANDLE SPACER
002		536000200	D.12 H.4 BUMPER
002		544389200	CONTROP.73 DX APP. LT
002		544182401	RIGHT DOOR 73
002		544182101	LEFT DOOR 74
002		544389500	INNER-DOOR OF LHD 74
002		544389400	CONTROP.74 DX APP. LT
002		544182001	RIGHT DOOR 74
002		544497000	PORTA 72 SX
002		544497100	CONTROP.72 SX APP. LT
002		544185101	RIGHT DOOR 74 CF
002		533107100	HANDLE SPACER OF CF-70
002		544185500	UPPER DOOR HINGE FOR COMPARTME CF70
002		531000900	MAGNET §22 KG.3 WITH DISK
002		544185201	INNER DOOR * 74DX
002		544185400	LOWER DOOR HINGE FOR COMPARTME CF70
002		544663900	LHD 74 DOOR FOR PCI
002		544663800	74 LHD OVEN INNER DOOR FOUR PCI
002		544662700	DOOR 74 DX PCI
002		544662600	CONTROP.74 DX APP. LT PCI
003		537000900	THERMOSTAT 063-320°C THREEPHASE
003		537001600	THERMOSTAT 50-320°C SINGLEPHASE
003		537000200	COMMUTATOR 1 POS. 3PHASE S.49 16A
003		537000400	COMMUTATOR 1POS.SINGLEPHASE S49 16A
003		539018900	INDEX FOR KNOB W/RED SIGN
003		536034400	KNOB §77 4P. §06*4,6 C/M
003		539054200	STAMP Ø20,5 CR."L" LOTUS R.
003		537001200	FIXING BRACKET FOR THERMOSTAT/COMM.
003		537033600	FIXING BRACKET FOR THERMOSTAT/COMM.
003		537014200	GREEN WARNING LIGHT 250V
003		537014100	WHITE WARNING LIGHT 250V

Page	Pos	Code	Description
003		539062600	RED STICKING DISK 72 (050,300°
003		539062500	RED STICKING DISK 72 (050,300°