



## Kühlung Unterbau-Kühltisch

Artikel-Nr. 617006 (FRCM2K131Q00213 Snack 3M)

---

### Explosionszeichnung / Ersatzteile

---

Bitte bei Ersatzteilbestellung immer Artikelnummer und Seriennummer mit angeben!

---

# **ESPLOSO BASE REFRIGERATA**

## **REFRIGERATED COUNTER EXPLODED VIEW**

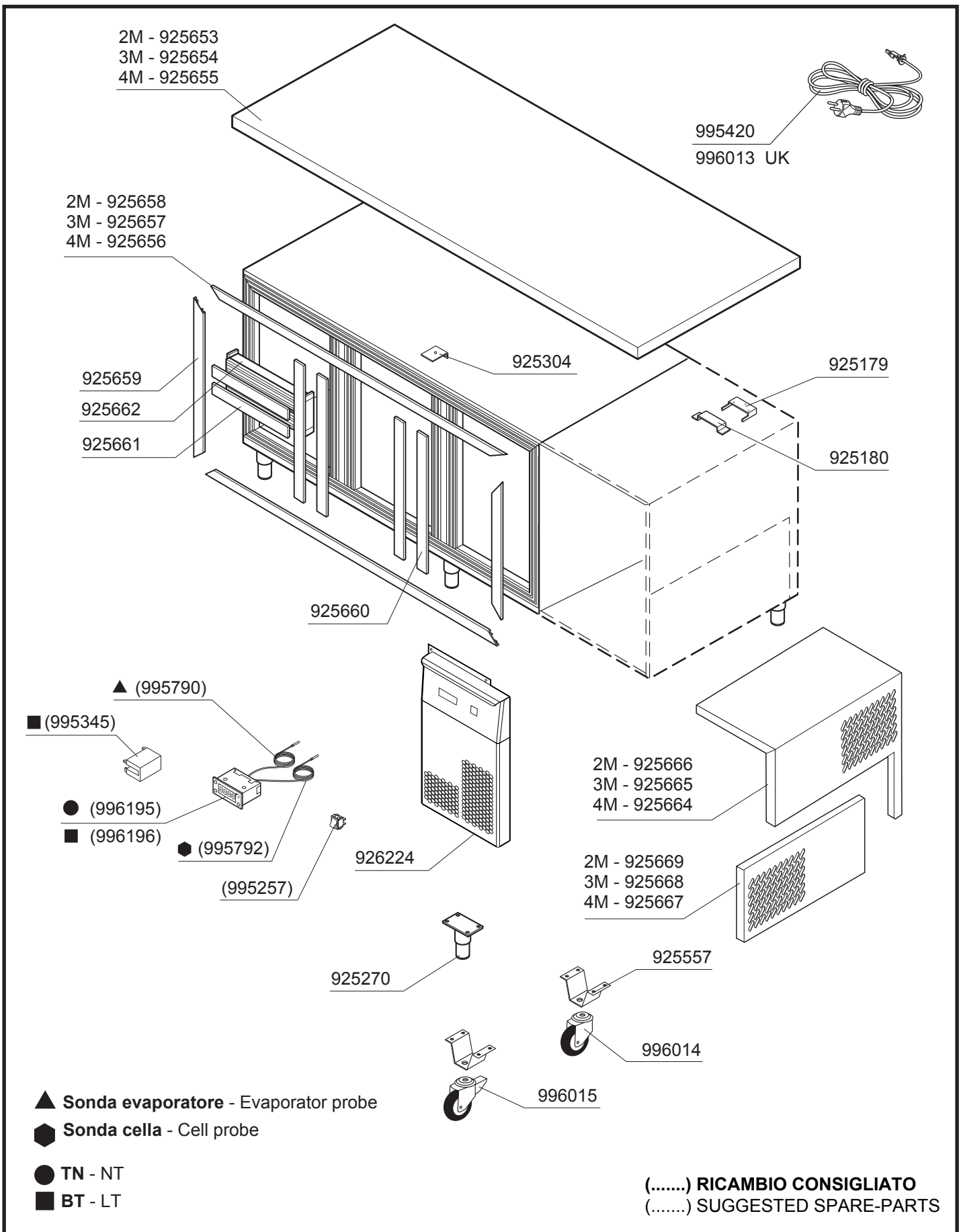
---

**snack**



---

**ESU0211EJ**



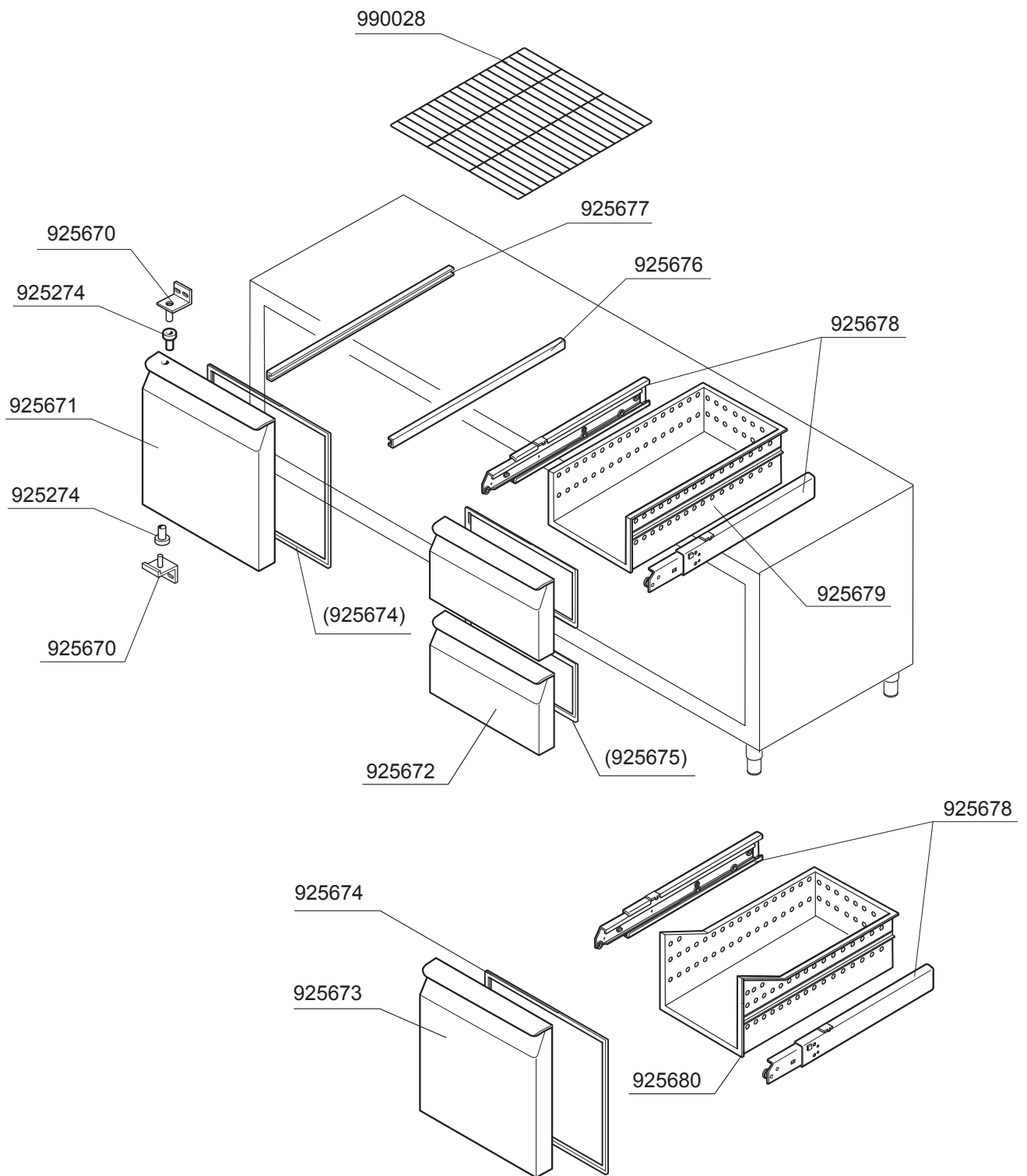
COMANDI E PIANI PER NUOVO TAVOLO SNACK  
CONTROLS AND TOPS FOR NEW SNACK TABLES

RIF. Da matricola n°  
REF. From serial n°

GN1/1

ESP3001-(43)





(.....) **RICAMBIO CONSIGLIATO**  
 (.....) **SUGGESTED SPARE-PARTS**

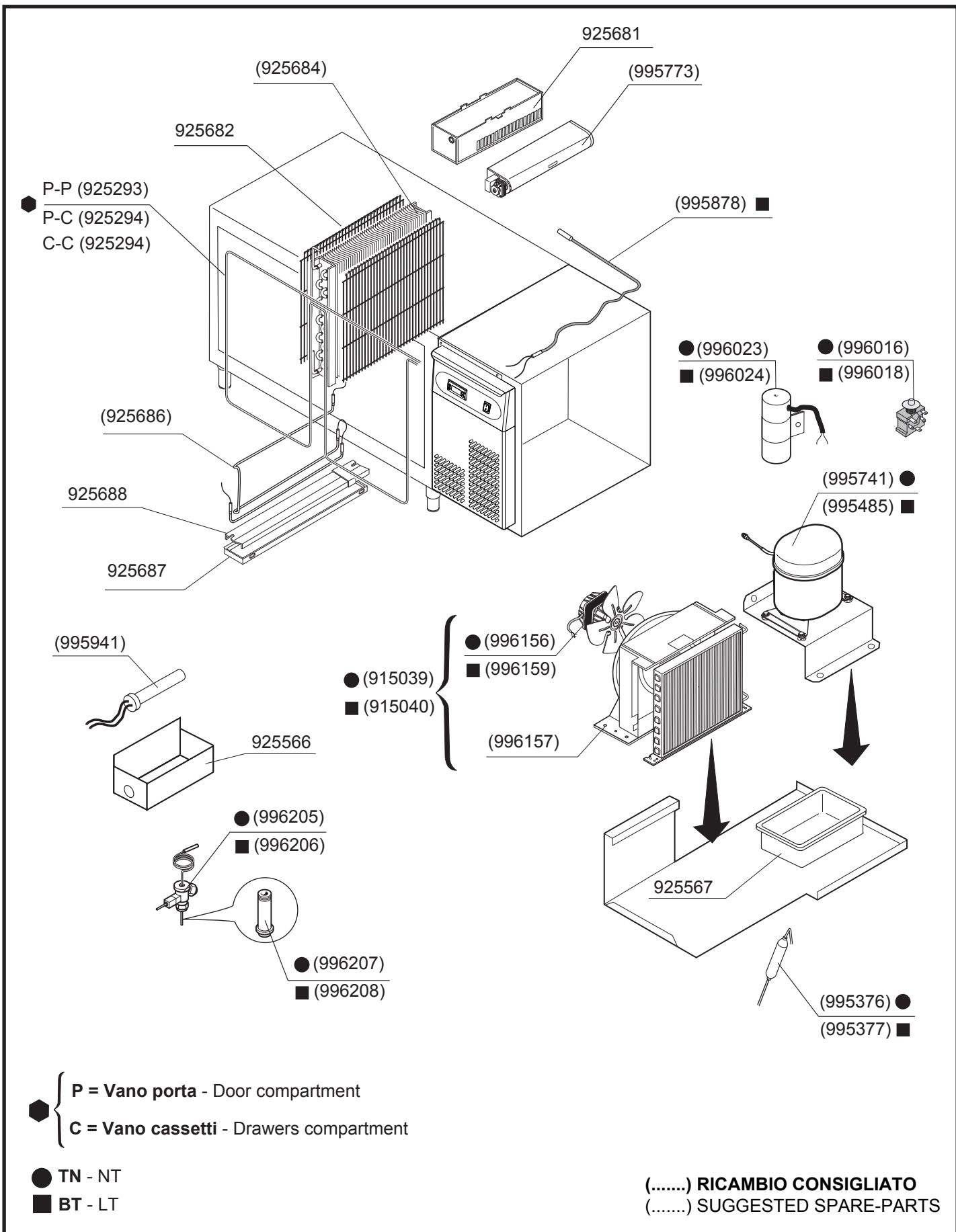
**PORTE E CASSETTI PER NUOVO TAVOLO SNACK**  
**DOORS AND DRAWERS FOR NEW SNACK TABLES**

RIF. Da matricola n°  
 REF. From serial n°

**GN1/1**

**ESP3001-(44)**





**IMPIANTO FRIGO NUOVO TAVOLO SNACK 2M**  
 REFRIGERATED UNIT FOR NEW SNACK 2M TABLES

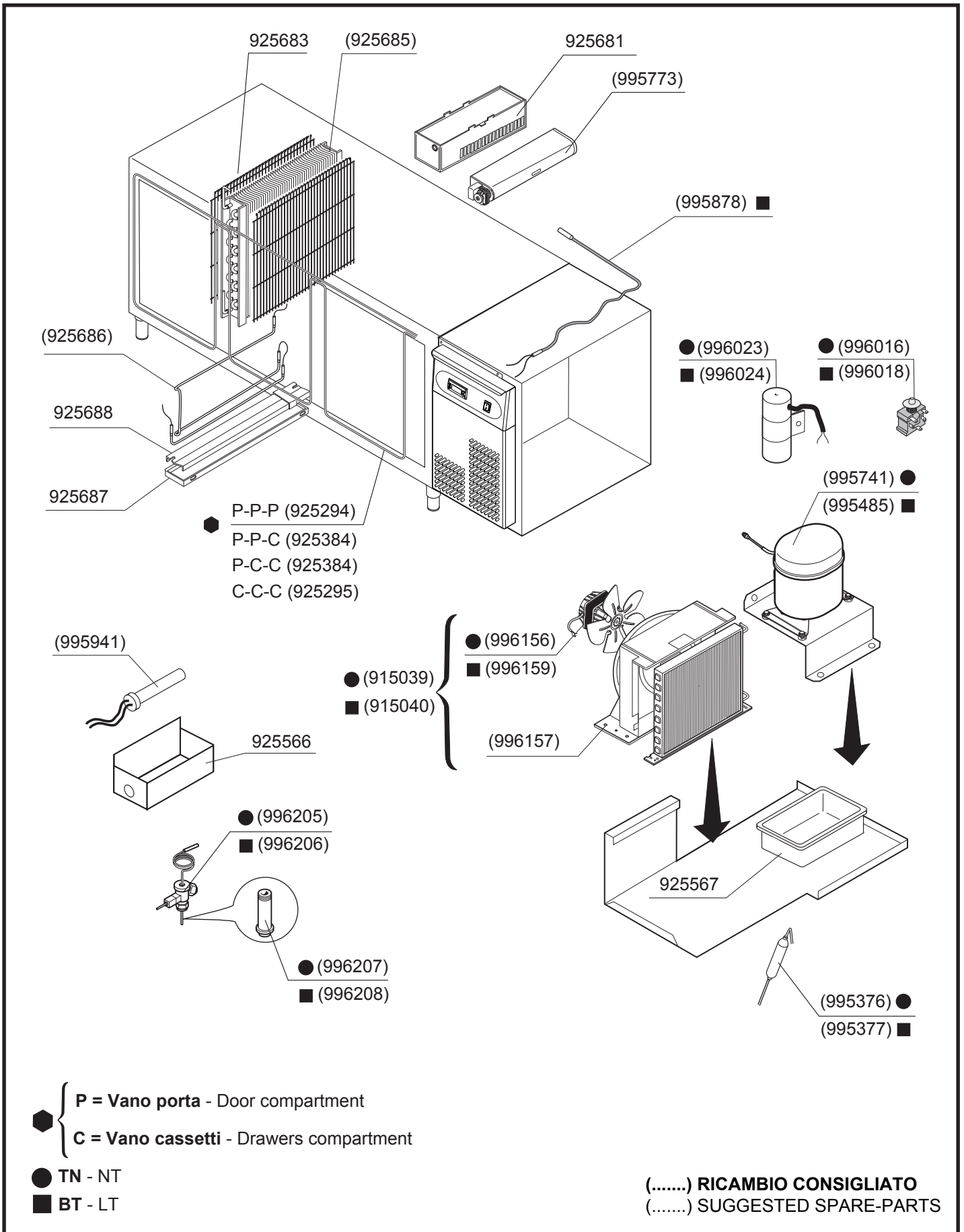
RIF. Da matricola n°  
 REF. From serial n°

**GN1/1**

**ESP3001-(45)**







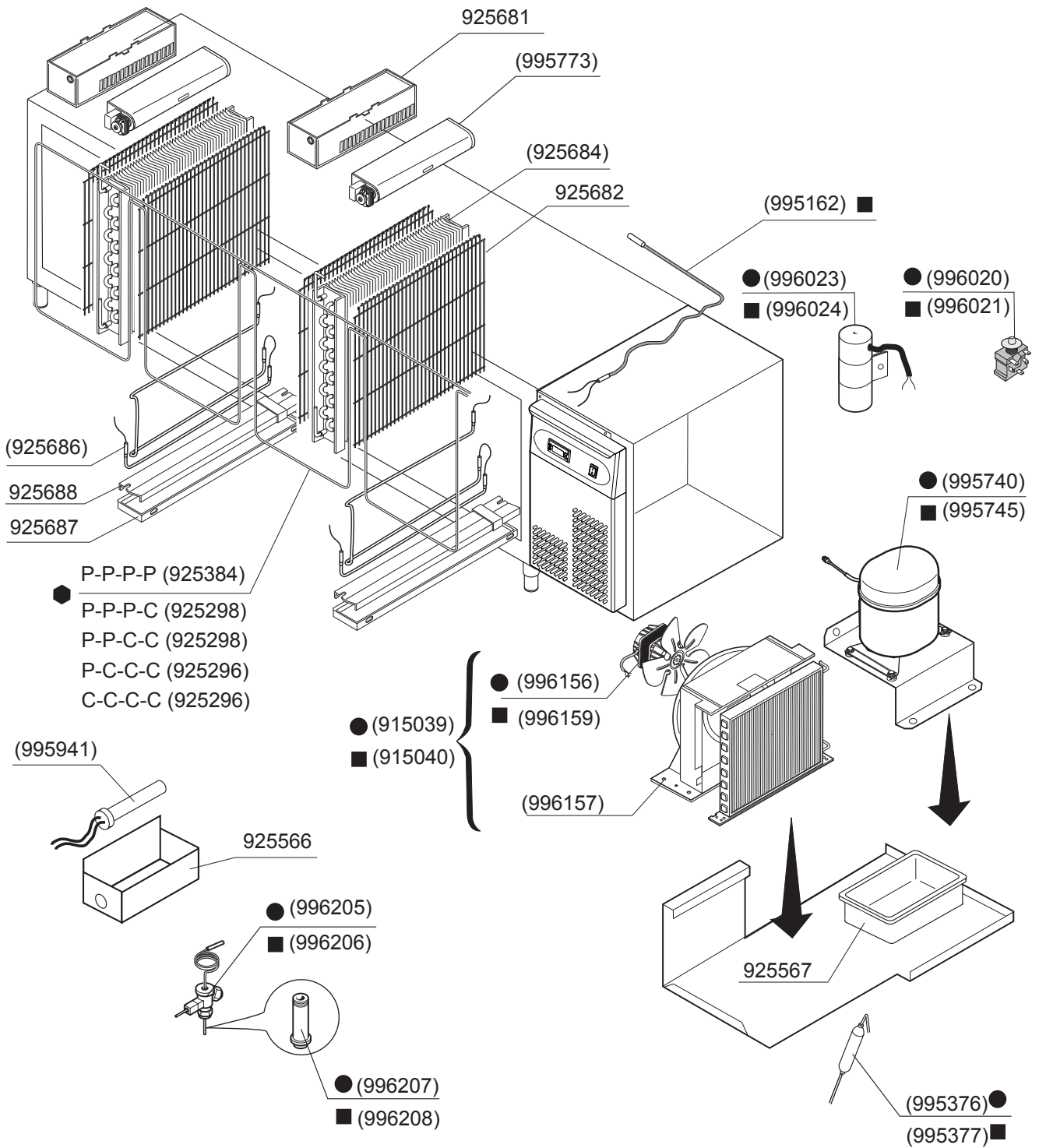
**IMPIANTO FRIGO NUOVO TAVOLO SNACK 3M**  
 REFRIGERATED UNIT FOR NEW SNACK 3M TABLES

RIF. Da matricola n°  
 REF. From serial n°

**GN1/1**

**ESP3001-(46)**





● P = Vano porta - Door compartment  
 ■ C = Vano cassette - Drawers compartment

● TN - NT  
 ■ BT - LT

(.....) RICAMBIO CONSIGLIATO  
 (.....) SUGGESTED SPARE-PARTS

**IMPIANTO FRIGO NUOVO TAVOLO SNACK 4M**  
 REFRIGERATED UNIT FOR NEW 4M SNACK TABLES

RIF. Da matricola n°  
 REF. From serial n°

**GN1/1**

**ESP3001-(47)**

