



**Snackgeräte  
Warmhaltevitrine**

Artikel-Nr. 541003  
(FLVM-1)

---

**Explosionszeichnung / Ersatzteile**

---

# Flavor Max<sup>®</sup> Merchandising Cabinets with Heat & Humidity

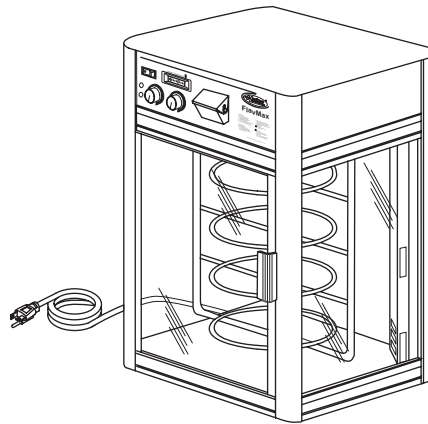
## *FLVM Series*

---

*FLVM-1*

*FLVM-1X*

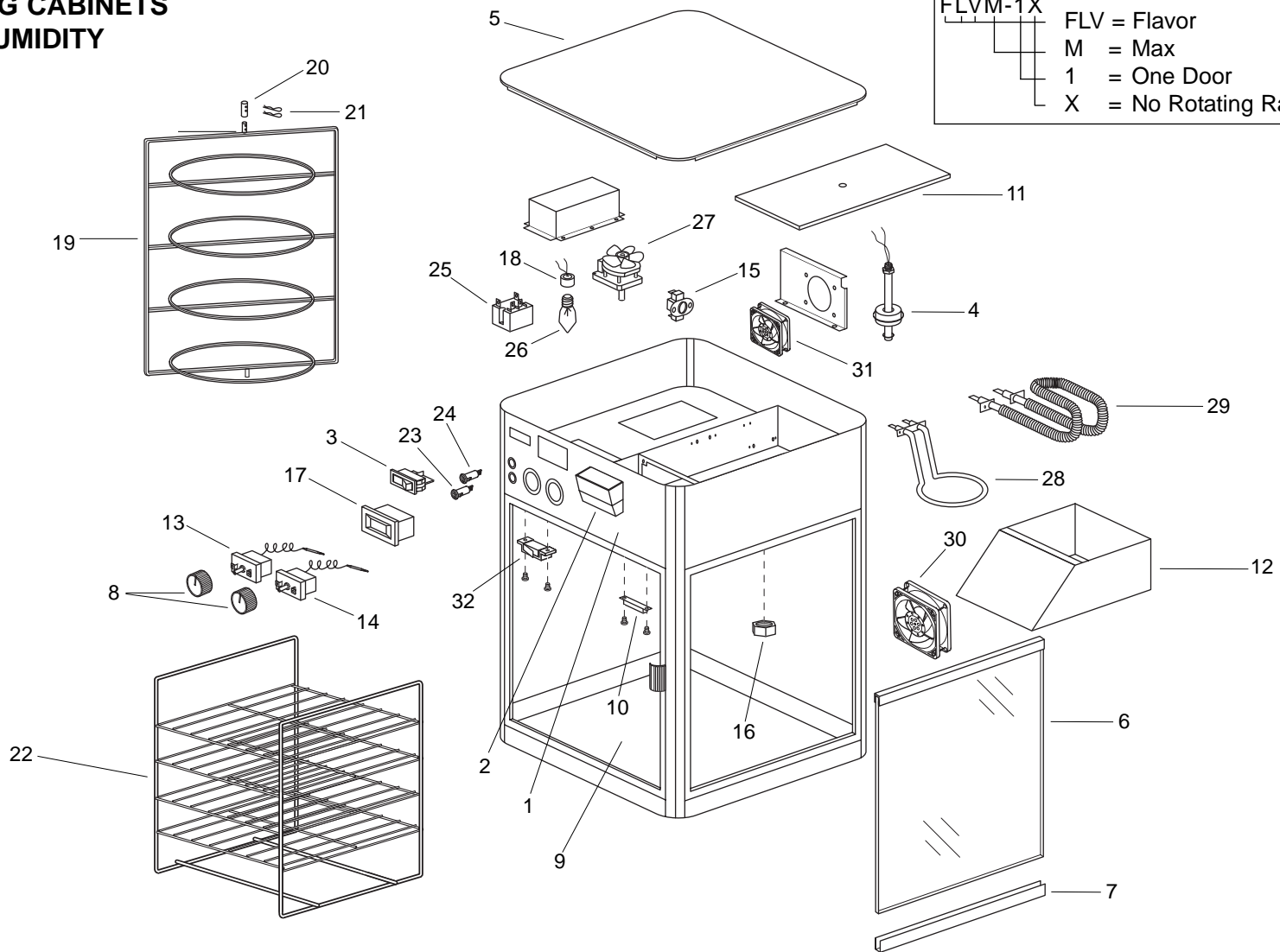
---



## **REPLACEMENT PARTS LIST**

---

**HATCO FLAVOR-MAX®  
MERCANDISING CABINETS  
WITH HEAT & HUMIDITY  
FLVM SERIES**



**Model Designation**

FLVM-1X  
 FLV = Flavor  
 M = Max  
 1 = One Door  
 X = No Rotating Rack Motor

**⚠ CAUTION - Use of replacement parts other than those supplied by Hatco Corporation may result in damage to the unit or injury to personnel.**

### PARTS COMMON TO ALL FLVM MODELS

ITEM	DESCRIPTION	PART NO.	QTY.	ITEM	DESCRIPTION	PART NO.	QTY.
1	Front Control Panel	X04.17.1050.00	1	9	Glass Door Assembly	X04.17.1138.00	1
2	Water Fill Cup	R05.30.050.00	1	10	Door Magnet	X05.30.099.00	1
3	Light Socket	X02.30.102.00	1	11	Chamber Cover	X04.17.1057.00	1
4	Float Switch	X02.01.249.00	1	12	Water Chamber	X04.17.1053.00	1
5	Control Cover, Top	X04.17.1051.00	1	13	Control Thermostat, Air	X02.16.136.00	1
6	Side Glass	X04.40.255.00	3	14	Control Thermostat, Humidity	X02.16.136.00	1
7	Glass Trim Channel	X04.17.1164.00	3	15	High Temperature Limit Safety	X02.16.138.00	1
8	Control Knob	X05.30.098.00	2	16	Drain Cap	X05.30.100.00	1

**PARTS SPECIFIC TO MODELS FLVM-1**

<b>ITEM</b>	<b>DESCRIPTION</b>	<b>120V</b>	<b>230V (CE)</b>
17	Temperature Indicator	X02.16.141.00	X02.16.137.00
18	On/Off Switch	X02.19.183.00	X02.19.180.00
19	4-Tier Circle Rack	X04.17.1054.00	X04.17.1054.00
20	Rack Coupling	X04.17.1055.00	X04.17.1055.00
21	Connector Pins	X05.04.531.00	X05.04.531.00
22	4-Shelf Multi-Purpose Rack	X04.17.1056.00	X04.17.1056.00
23	Indicator Light, Red, Low Water	X02.19.184.00	X02.19.181.00
24	Indicator Light, Green, Humidity	X02.19.185.00	X02.19.182.00
25	Control Relay	X02.01.251.00	X02.01.250.00
26	Light Bulb	02.30.043.00	02.30.058.00
27	Rotating Rack Motor	02.12.004.00	02.12.026.00
28	Heating Element, Water, 350 Watt	X02.05.627.00	X02.05.619.00
29	Heating Element, Air, 1000 Watt	X02.05.628.00	X02.05.620.00
30	Circulating Fan Motor	X02.12.094.00	X02.12.092.00
31	Cooling Fan for Controls	X02.12.095.00	X02.12.093.00
32	Door Switch	X02.19.186.00	X02.19.186.00
	Electrical Diagram	10.01.543.00	10.01.543.00

**PARTS SPECIFIC TO MODELS FLVM-1X**

<b>ITEM</b>	<b>DESCRIPTION</b>	<b>120V</b>	<b>230V (CE)</b>
17	Temperature Indicator	X02.16.141.00	X02.16.137.00
18	On/Off Switch	X02.19.183.00	X02.19.180.00
19	4-Tier Circle Rack	---	---
20	Rack Coupling	---	---
21	Connector Pins	---	---
22	4-Shelf Multi-Purpose Rack	X04.17.1056.00	X04.17.1056.00
23	Indicator Light, Red, Low Water	X02.19.184.00	X02.19.181.00
24	Indicator Light, Green, Humidity	X02.19.185.00	X02.19.182.00
25	Control Relay	X02.01.251.00	X02.01.250.00
26	Light Bulb	02.30.043.00	02.30.058.00
27	Rotating Rack Motor	---	---
28	Heating Element, Water, 350 Watt	X02.05.627.00	X02.05.619.00
29	Heating Element, Air, 1000 Watt	X02.05.628.00	X02.05.620.00
30	Circulating Fan Motor	X02.12.094.00	X02.12.092.00
31	Cooling Fan for Controls	X02.12.095.00	X02.12.093.00
32	Door Switch	---	---
	Electrical Diagram	10.01.543.00	10.01.543.00

**NOTES**

---

---

---

---

---

---

---

---

---

---

---

---

---

---

---

---

---