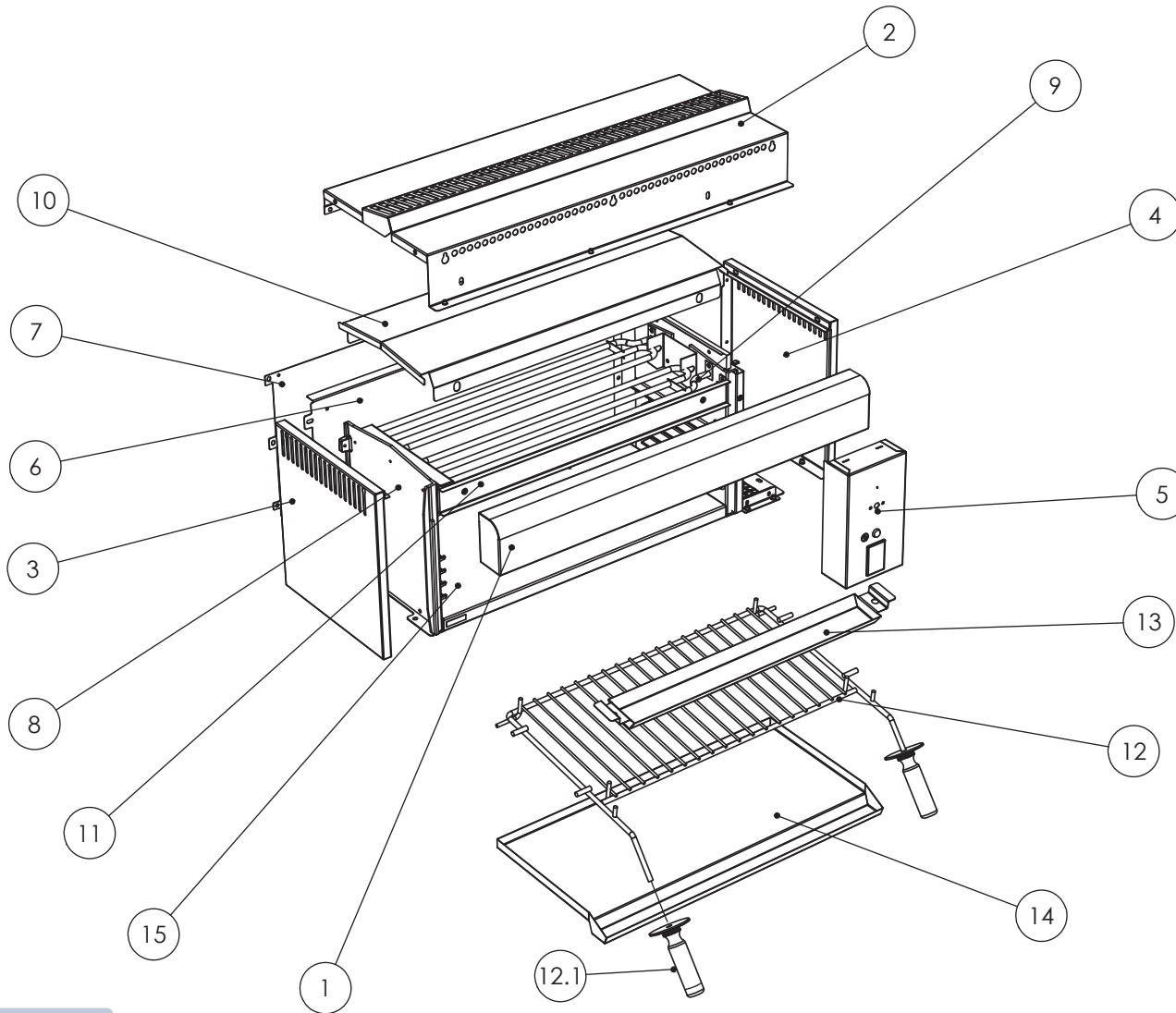


DOMINATOR PLUS

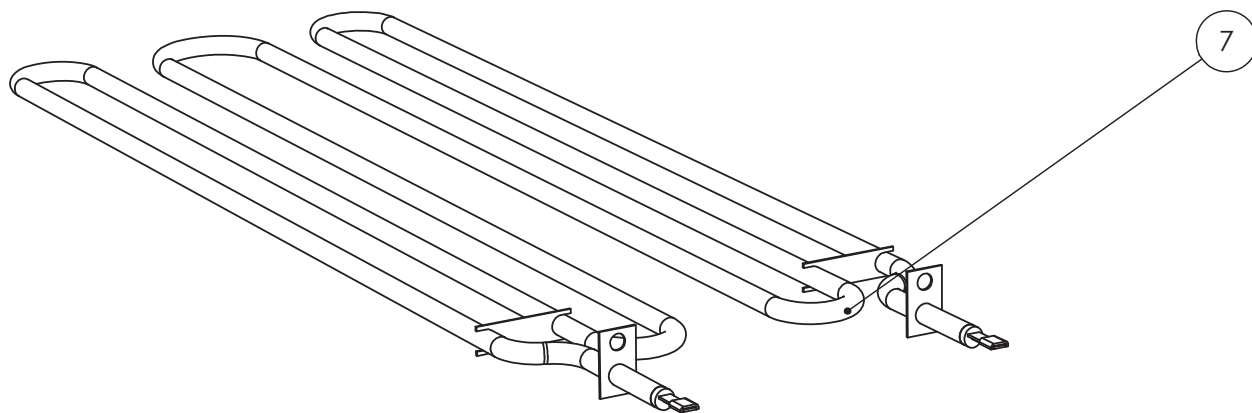


ITEM	DESCRIPTION	SPARES No
1	TOP FRONT PANEL	535990006
2	OUTER TOP PANEL	535990007
3	LH OUTER SIDE PANEL	531562185
4	RH OUTER SIDE PANEL	531562195
5	CONTROL PANEL	731610001
6	INNER BACK PANEL	535990009
7	OUTER BACK PANEL	731610004
8	LH INNER SIDE PANEL	535930100
9	RH INNER SIDE PANEL	731610002
10	INNER TOP PANEL	731610003
11	FRONT TIE PLATE	535990012
12	WIRE GRID C/W HANDLES	535990013
12.1	HANDLE ASSEMBLY	535900010
13	DRIP TROUGH	531560220
14	DRIP TRAY	531562210
15	BASE PANEL	535990014

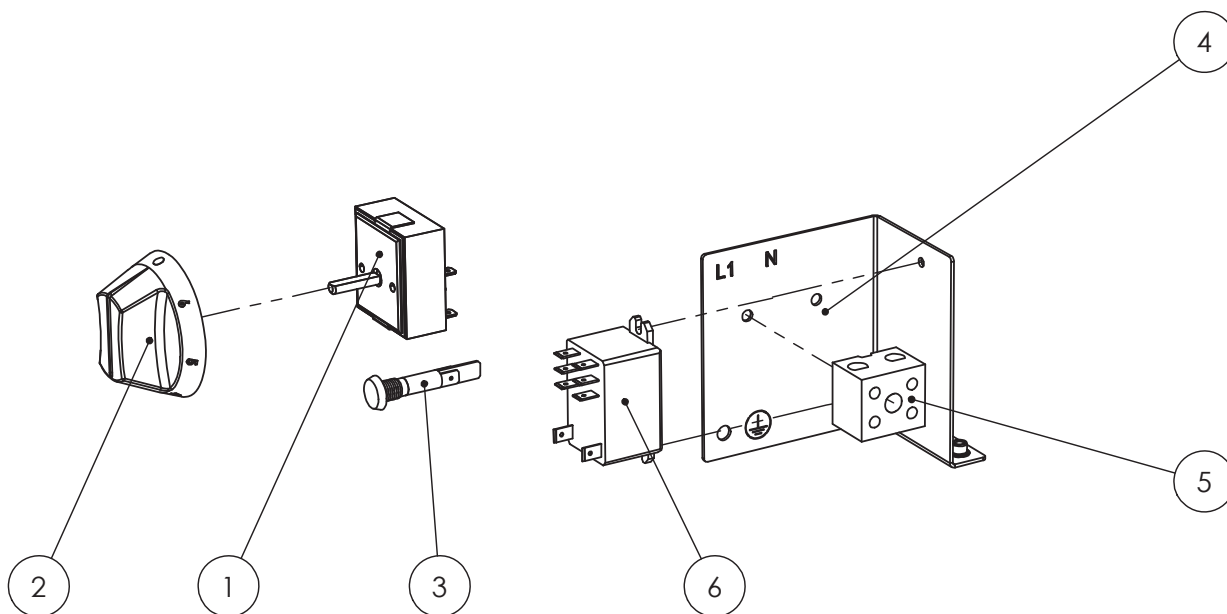


Issue	Alteration	Date	Product	Document Reference
A	Initial Issue	09/08/11	E3532	AD48973

DOMINATOR PLUS



ITEM	DESCRIPTION	SPARES No
1	ENERGY REGULATOR	737630011
2	CONTROL KNOB	731610000
3	NEON INDICATOR	731540330
4	MAINS TERMINAL BRACKET	731570005
5	CONNECTOR BLOCK	731560350
6	RELAY	731570004
7	ELEMENT	731560400



Issue	Alteration	Date	Product	Document Reference
A	Initial Issue	09/08/11	E3532	AD48974