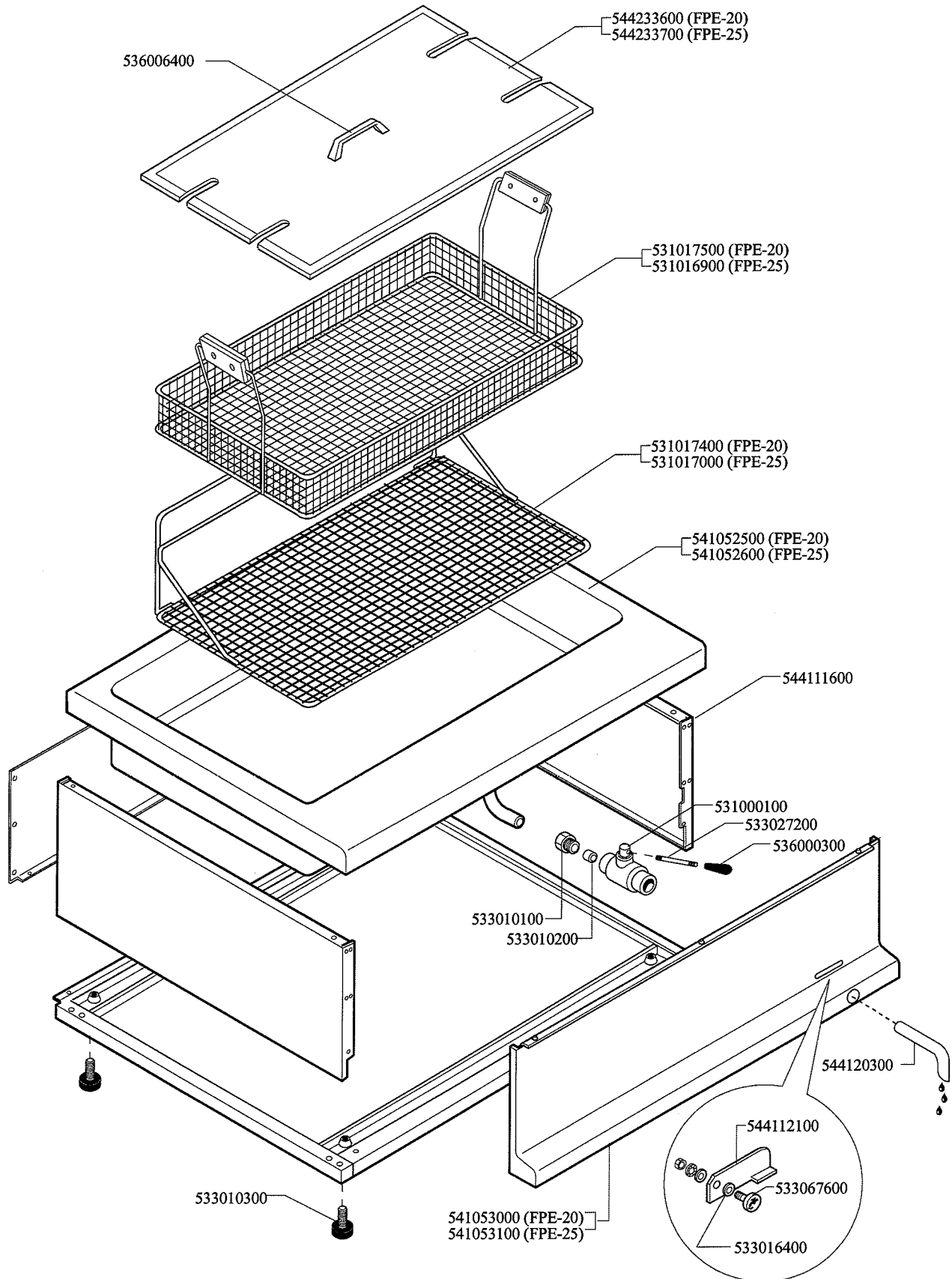


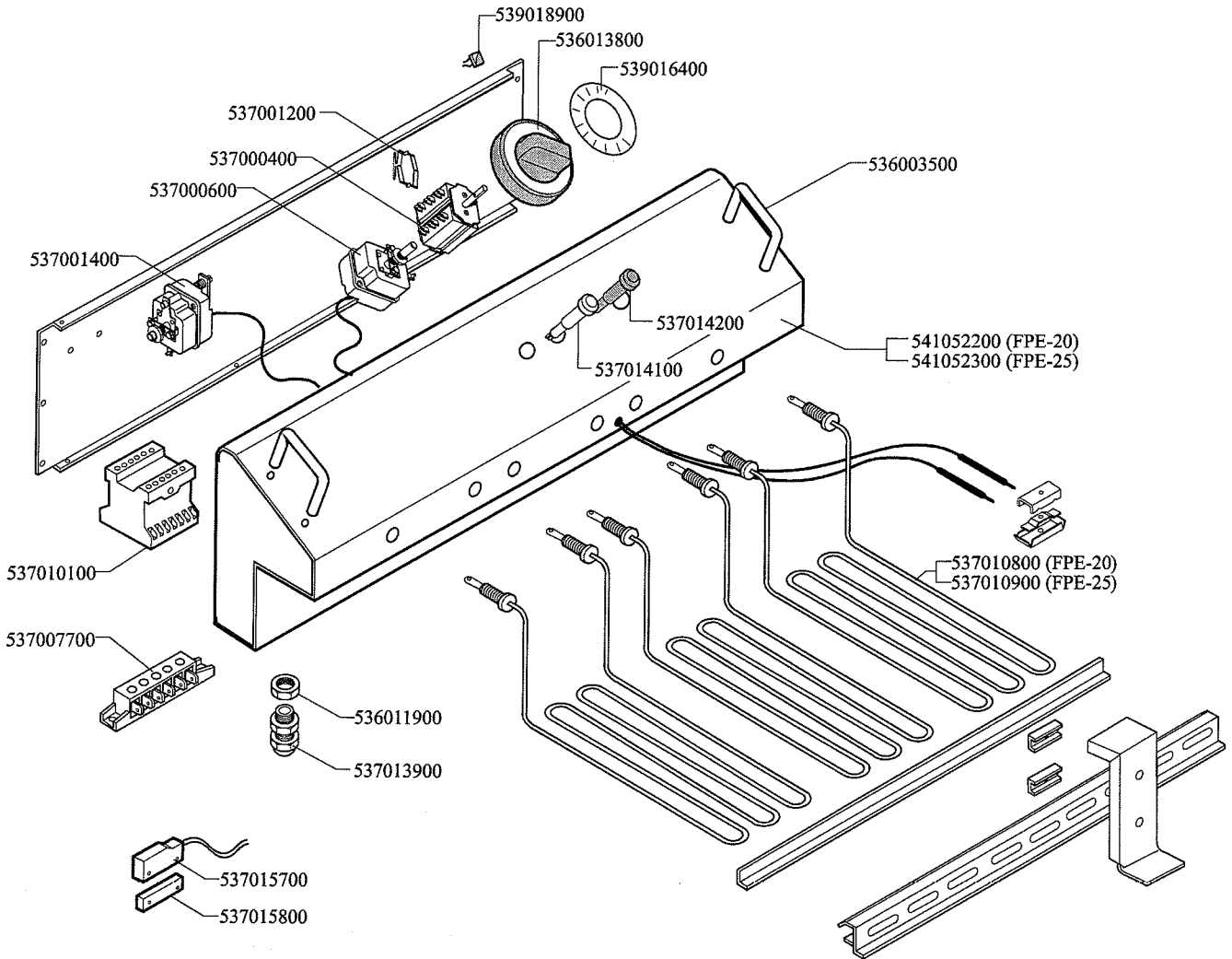
**FRIGGITRICI PASTICCERIA ELETTRICHE / CONFECTIONER'S ELECTRIC  
FRYERS / ELEKTRO FRITEUSEN FÜR KONDI TOREI / FRITEUSES  
PATISSERIE ELECTRIQUES**

**FPE-20 FPE-25**



**FRIGGITRICI PASTICCERIA ELETTRICHE / CONFECTIONER'S ELECTRIC  
FRYERS / ELEKTRO FRITEUSEN FÜR KONDITOREI / FRITEUSES  
PATISSERIE ELECTRIQUES**

**FPE-20 FPE-25**



Page	Pos	Code	Description
001		536006400	BLACK HANDLE 65/FE/FG
001		544233700	TANK LID FPG-30
001		531016900	FRYER BASKET 80 665X350X80H
001		531017000	TANK FILTER/BASKET SUPPORT FPG-30
001		541052600	UPPER PLATE FPE-25
001		544111600	SIDE PANEL 700
001		531000100	DRAIN COCK 3/4"
001		533027200	HANDLE FOR DRAIN COCK 3/4"G FG
001		536000300	FIXED GRIP D.15*25*M6
001		533010100	3/4 D. 18 PIPE UNION
001		533010200	BICONE 18S
001		544120300	DRAIN PIPE 22 FOR COCK 3/4"G
001		544112100	COCK FIXING BRACKET FG-10
001		533067600	PIN FOR GRADUATED COCK BUSHING
001		533016400	COCK BUSHING
001		541053100	CONTROL PANEL FPE-25
001		533010300	ADJUSTABLE FOOT M10*20 D.23
002		539018900	INDEX FOR KNOB
002		536013800	KNOB D.70 BLACK 6*5 WITH SPRING
002		539016400	ADHESIVE GRADUATED DISC FOR KNOB
002		536003500	RED HANDLE 60/SK
002		537001200	FIXING BRACKET FOR THERMOSTAT/COMM.
002		537000400	COMMUTATOR 1POS.SINGLEPHASE S49 16A
002		537000600	THERMOSTAT 90-180°C SINGLEPHASE
002		537001400	SAFETY THERMOSTAT 235°C THREEPHASE
002		541052300	CONTROL PANEL UNIT FPE-25
002		537010900	HEATING ELEMENT W2500 V230 FPE-25
002		537014200	GREEN WARNING LIGHT 250V
002		537014100	WHITE WARNING LIGHT 250V
002		537010100	REMOTE CONTROL SWITCH 20A 230V
002		537007700	TERMINAL BLOCK THREEPHASE 40A
002		536011900	HEXAGONAL LOCK NUT PG-16
002		537013900	CABLE SECURING CLAMP PG-16
002		537015700	MAGNETIC SENSOR (SWITCH)
002		537015800	MAGNETIC UNIT FOR SENSOR