

DISHWASHER

ELECTROMECHANICAL SWITCHES
LOWER WASHING
LOWER AND UPPER WASHING

TYPE: 73U

Accessories

DVGW

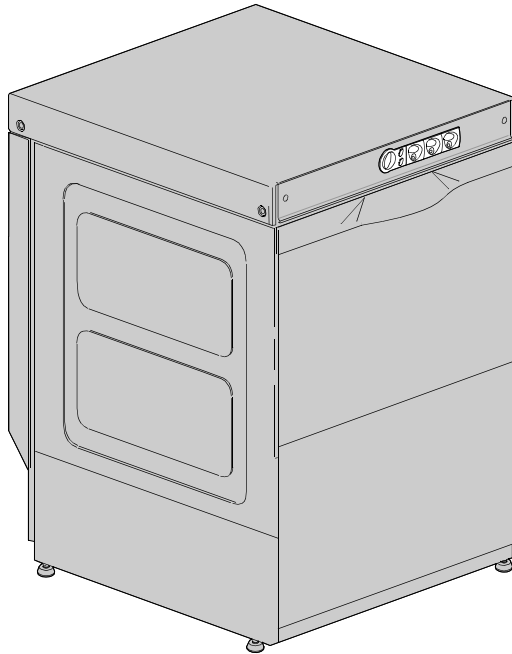
COLD RINSE

WATER SOFTNER

DETERGENT DISPENSER

DRAIN PUMP

Spare parts manual



1. Spare parts

General body parts.....	7
Lockup system	9
Control panel	11
Control electric components.....	13
Solenoid valve group	15
Solenoid valve group	17
DVGW	19
Water softner group.....	21
Shining product dosing device group .	23
Shining product dosing device group .	25
Boiler group	27
3 ways derivation	29
3 ways derivation	31
4 ways derivation	33
Wash pump	35
Wash pump	37

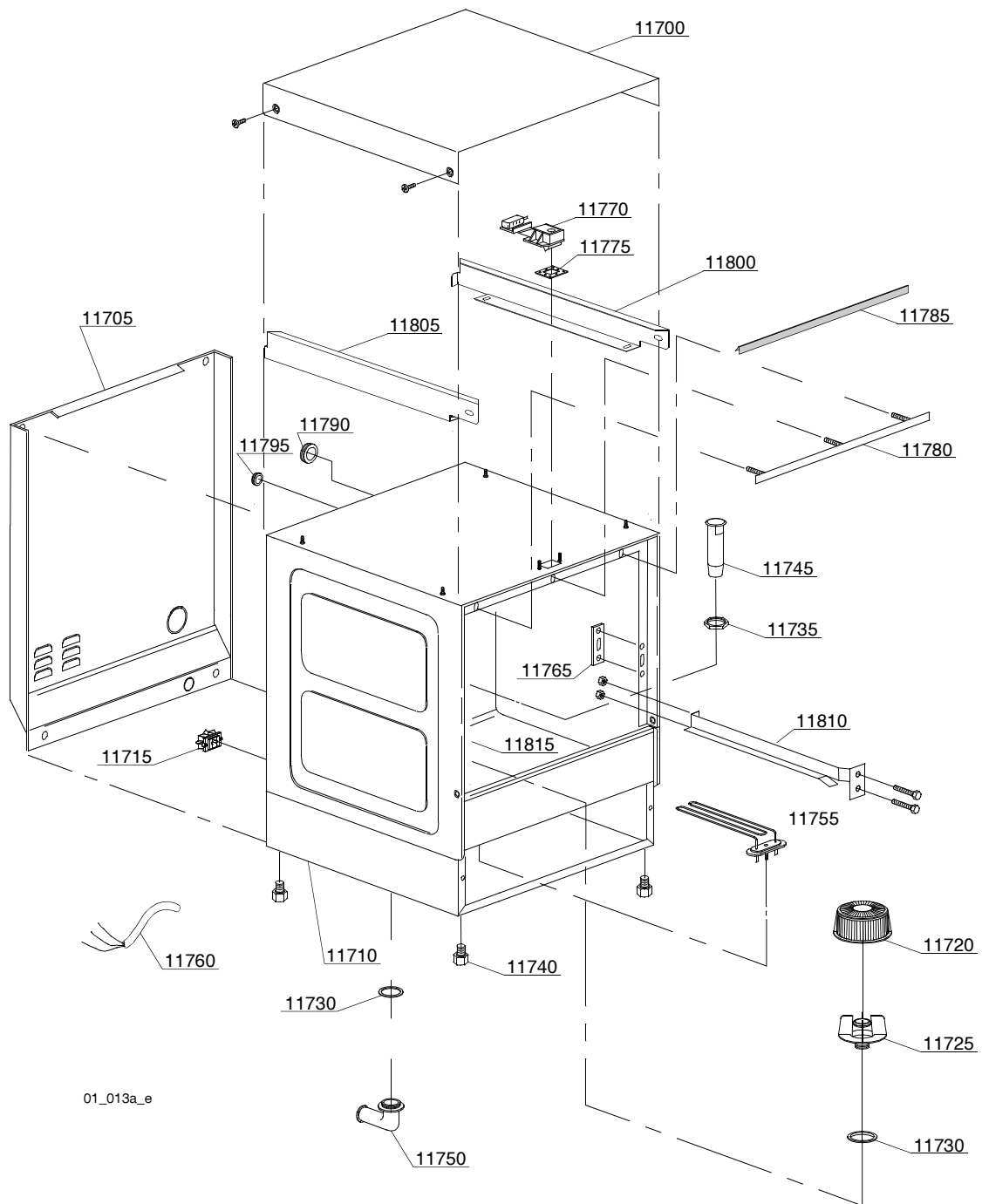
Dosing device group	39
Drain pump group.....	41
Pressure switch group with air trap ...	43
Turret group with rotating arms	45
Turret group with rotating arms	47
Turret group with rotating arms	49

1.1 Voltage codes

Voltage code	Voltage
A	3/N/PE~400/230V 50Hz
B	~250V 16A 50Hz
C	3/N/PE~380/220V 50Hz
D	3/PE~200V 50-60Hz
F	2/PE 220-240V 50Hz
G	3/N/PE~415/240V 50Hz
H	3/PE~230V 50Hz
I	3/PE~220V 60Hz
J	3/PE~380 50Hz
K	3/PE~400V 50Hz
L	3/PE~415V 50Hz
M	3/PE~440V 60Hz
N	3/PE~460V 60Hz
O	3/PE~480V 60Hz
P	1/N/PE~220-240V 50Hz
R	2/PE~220-230V 60Hz
S	3/N/PE~400/230V 50Hz
T	3/PE~230V 60Hz

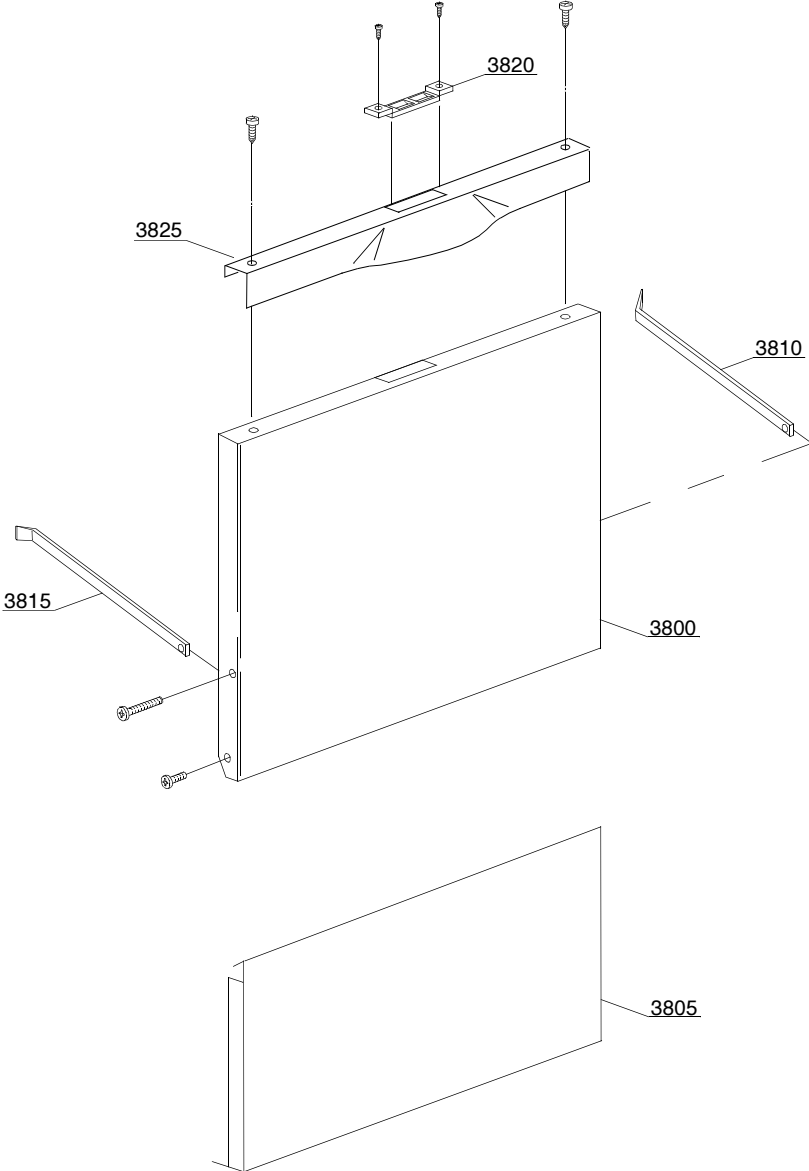
1.2 Product codes

Product code	Full name
Model codes	
em	ELECTROMECHANICAL SWITCHES
cf	LOWER WASHING
ls	LOWER AND UPPER WASHING
Type codes	
73U	73U
Accessory codes	
dvgw	DVGW
fs	COLD RINSE
d	WATER SOFTNER
dde	DETERGENT DISPENSER
ps	DRAIN PUMP



Spare parts

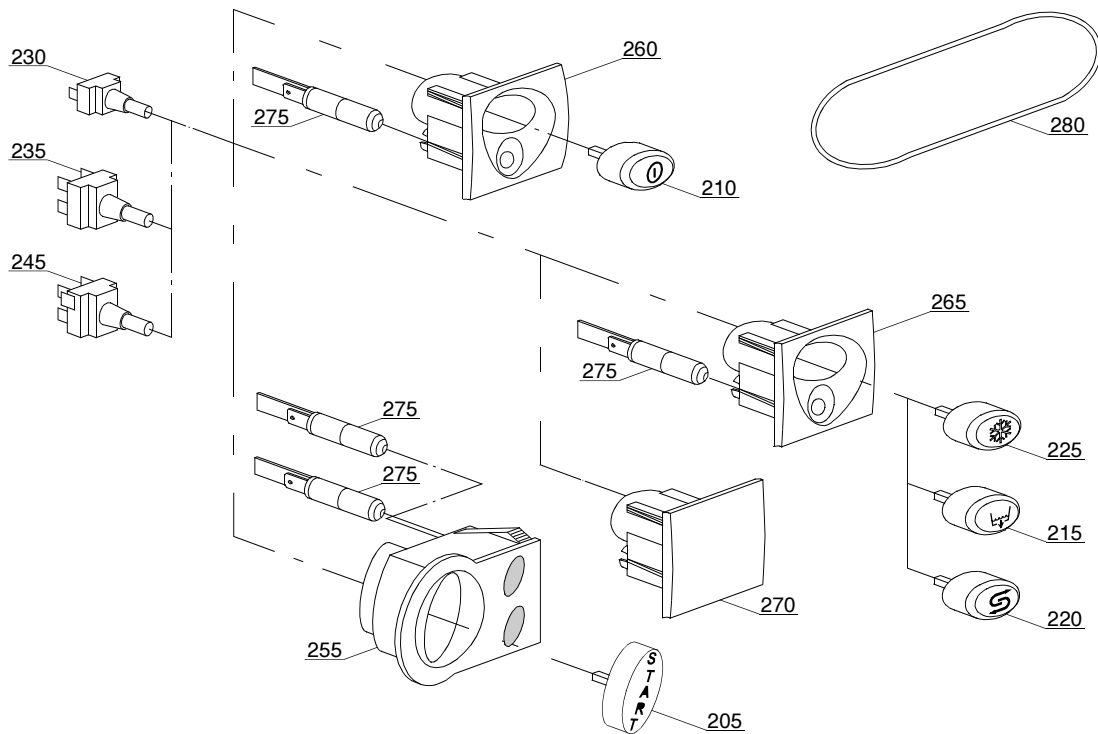
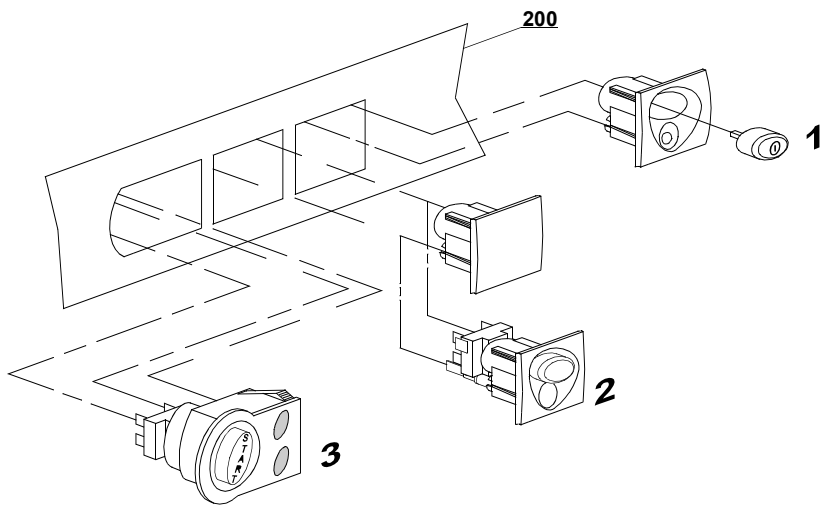
ID	P-code	Model	Type	Accessory	Voltage	Description
MODULE:General body parts						
11700	260028		73U			Cover
11705	260015		73U			Back panel
11710	260000		73U			Body
11710	260000		73U	ws		Body
11715	15065/A		73U			Cable-fastener with screw
11720	540002		73U			Filter for top body
11725	540000		73U			Top filter body
11730	13305		73U			44x32x3 drain elbow gasket
11735	11701/A		73U			Stainless steel nut
11740	10850		73U			M10x25 Ø40 black foot
11745	135252		73U			Overflow pipe
11750	10701		73U			Drain elbow
11755	16035/A		73U			1850W heating element
11760	10713		73U			3x2,5x2500 cable
11765	150401		73U			Door rod slide
11770	150402		73U			Door jack assembly
11775	150403		73U			Door jack gasket
11780	375908		73U			Door gasket angular
11785	135206		73U			Door gasket
11790	13317		73U			Ø40mm fairlead
11795	13323		73U			Ø13mm fairlead
11800	260025		73U			Left cover back support
11805	260026		73U			Right cover back support
11810	260002		73U			Right/left internal slide
11815	260003		73U			Right/left internal slide

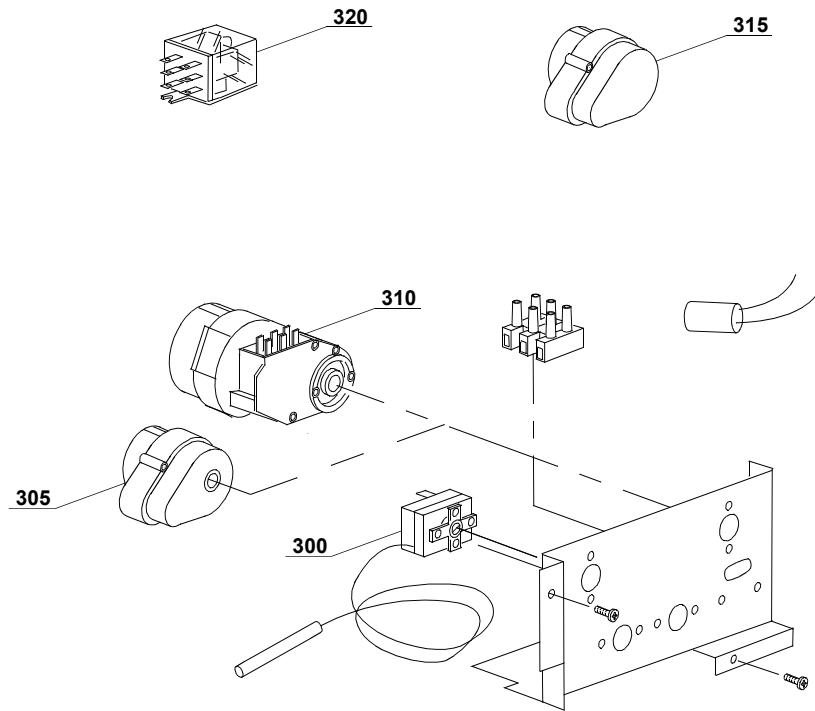


02_103_e

ID	P-code	Model	Type	Accessory	Voltage	Description
MODULE: Lockup system						
3800	260005		73U			Door
3805	260016		73U			Lower door
3810	250006		73U			Right door rod
3815	250007		73U			Left door rod
3820	150402/D		73U			Door jack
3825	260008		73U			Stainless steel handle

03_009_e

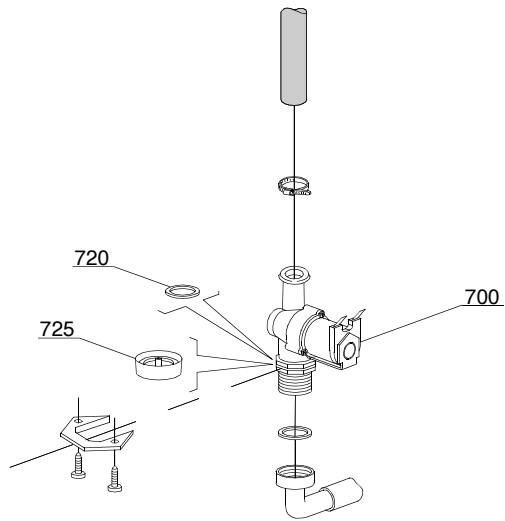




04_007_e

Spare parts

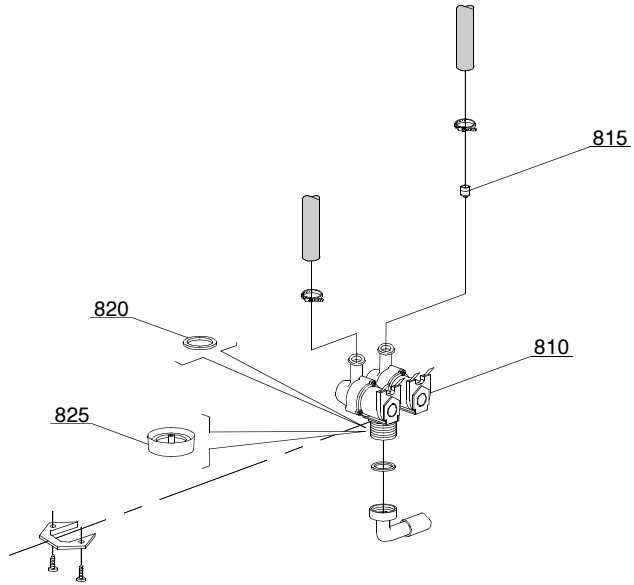
ID	P-code	Model	Type	Accessory	Voltage	Description
MODULE:Control electric components						
300	10707/1		73U			0-90°C thermostat
305	10708/L		73U			120" timer
315	16064/A		73U	ws		Regeneration timer
320	15620		73U	dp		Bipolar relay in deviation



05_002_e

Spare parts

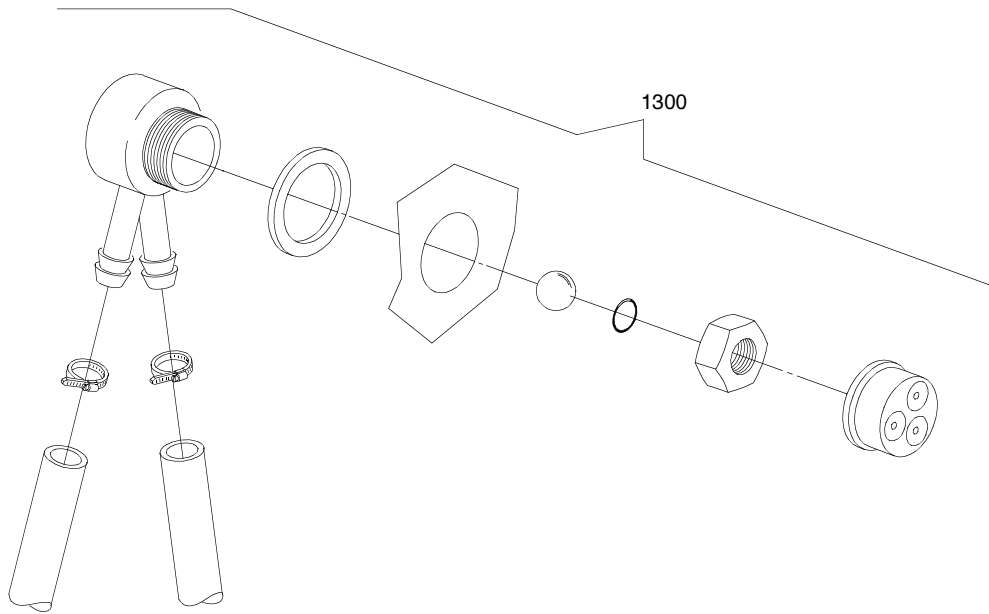
ID	P-code	Model	Type	Accessory	Voltage	Description
MODULE: Solenoid valve group						
700	10703		73U			Single solenoid valve
720	N.C.		73U			Pression reducing valve



05_003_e

Spare parts

ID	P-code	Model	Type	Accessory	Voltage	Description
MODULE:Solenoid valve group						
810	15098		73U	cr,ws		Double solenoid valve - Ø10
815	15115		73U	cr,ws		Green pression solenoid valve
820	N.C.		73U	cr,ws		Pression reducing valve
825	15315		73U	cr,ws		Red pression reducing valve

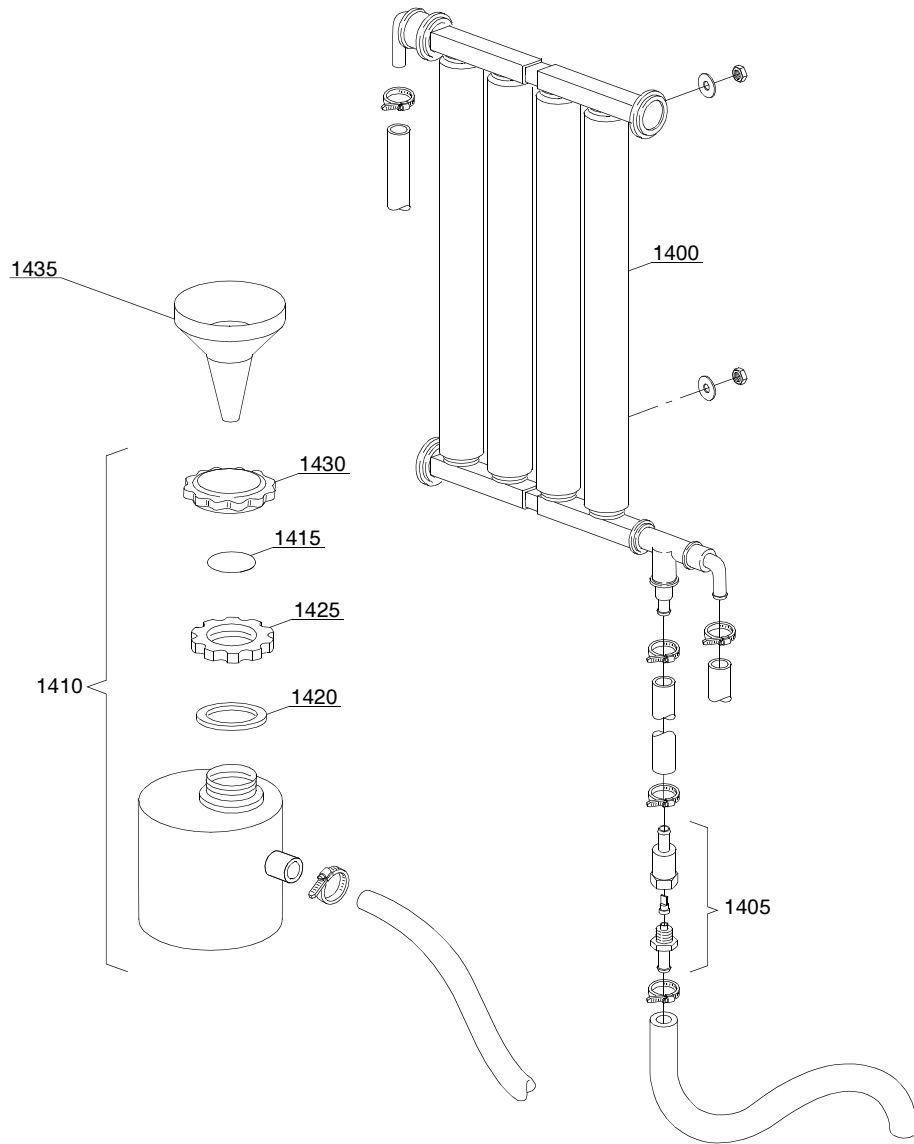


08_005_e

Spare parts

ID	P-code	Model	Type	Accessory	Voltage	Description
MODULE:DVGW						
1300	999900006		73U	dvgw		DVGW assembly

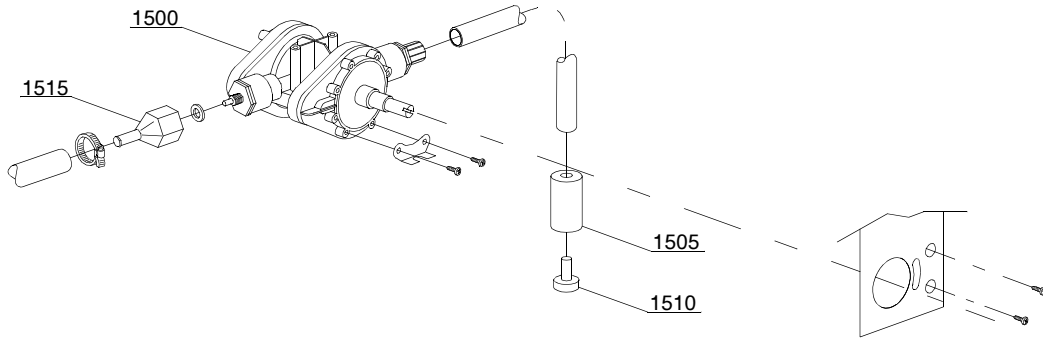
09_001_e



Spare parts

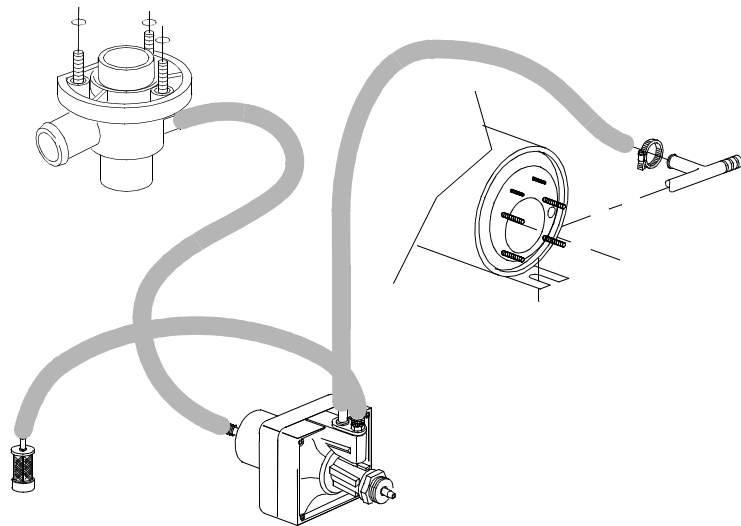
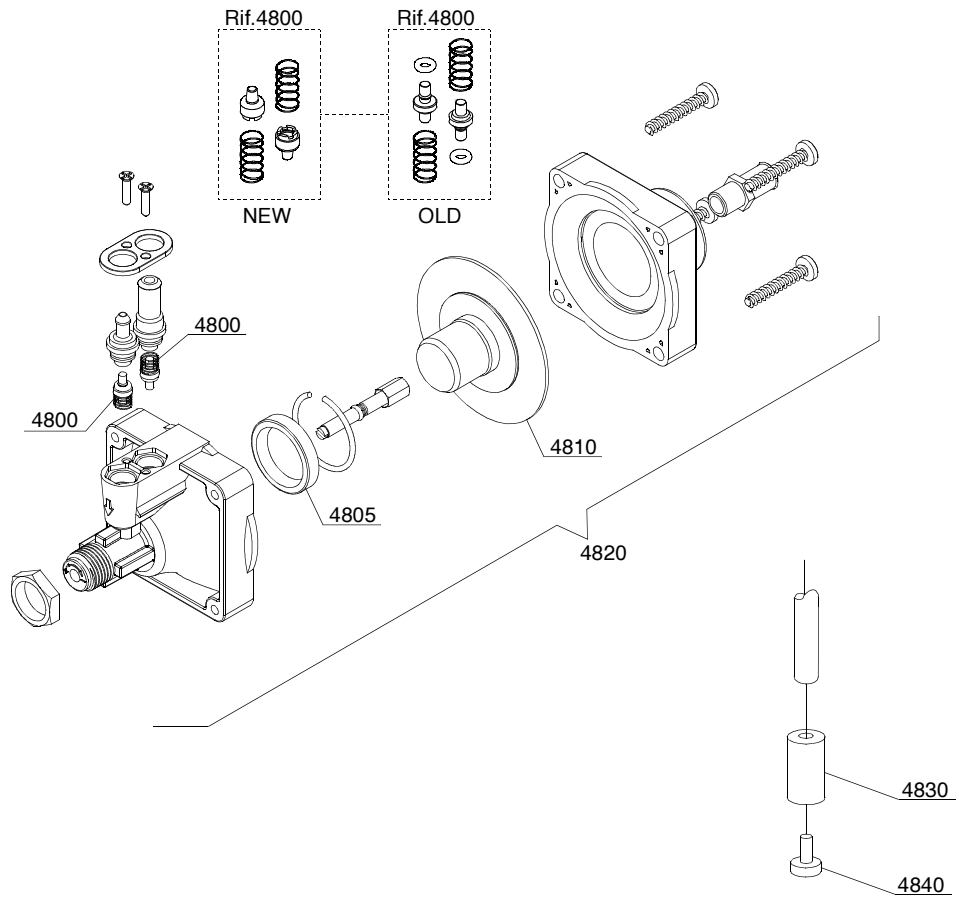
ID	P-code	Model	Type	Accessory	Voltage	Description
MODULE:Water softner group						
1400	16066		73U	ws		4 elements water softner
1405	16070		73U	ws		Nonreturn valve
1410	16065		73U	ws		Salt container
1415	16067/A		73U	ws		OR gasket
1420	16067/B		73U	ws		Gasket
1425	16067/C		73U	ws		Ring nut
1430	16067/D		73U	ws		Plug
1435	16082		73U	ws		Funnel

10_002_e



Spare parts

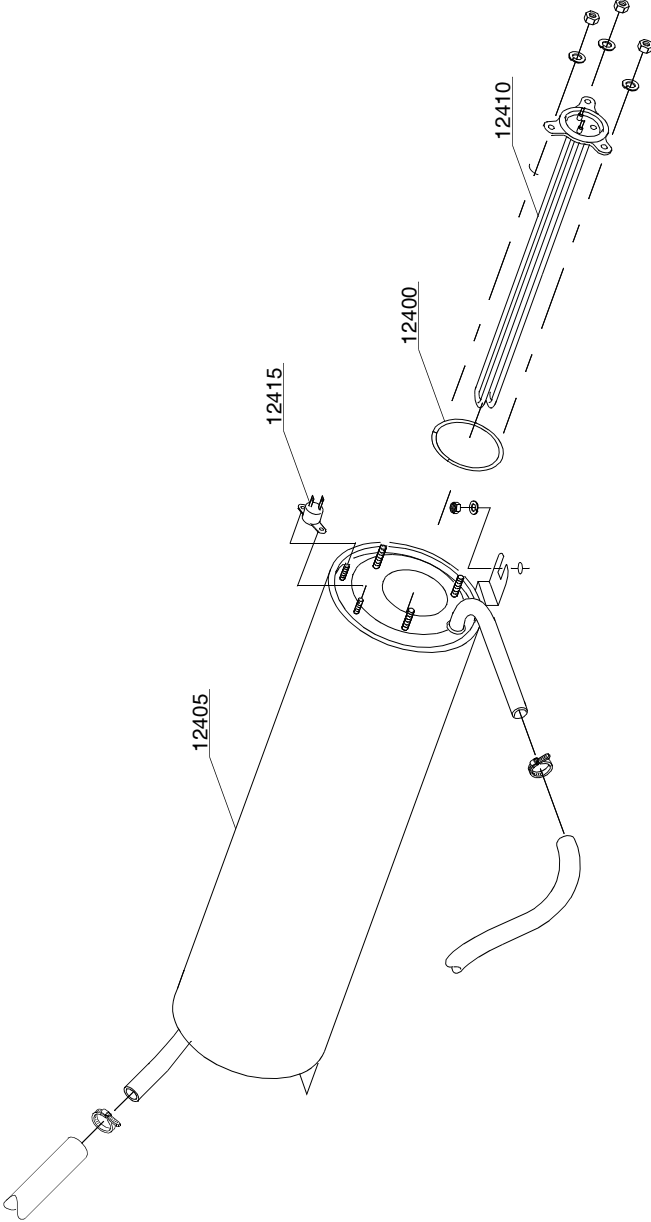
ID	P-code	Model	Type	Accessory	Voltage	Description
MODULE:Shining product dosing device group						
1500	10798		73U			Shining product dosing device
1505	12525		73U			Counter-weight
1510	15058		73U			Small filter
1515	10798/B		73U			Brass pipe fitting



10_004_e

Spare parts

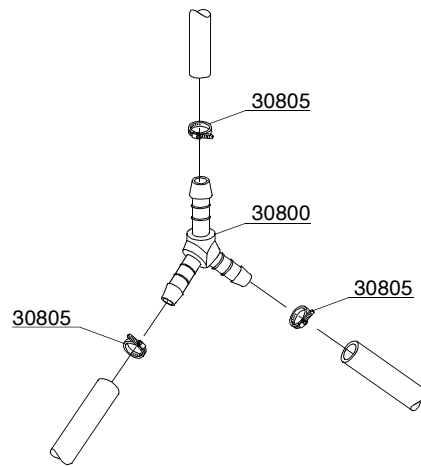
ID	P-code	Model	Type	Accessory	Voltage	Description
MODULE:Shining product dosing device group						
4800	10805		73U			Tecnopro dosing valve
4805	10806		73U			Ø22 gasket
4810	10807		73U			Membrane
4820	10799		73U			Shining product dosing device
4830	12525		73U			Counter-weight
4840	15058		73U			Small filter



11_007_e

Spare parts

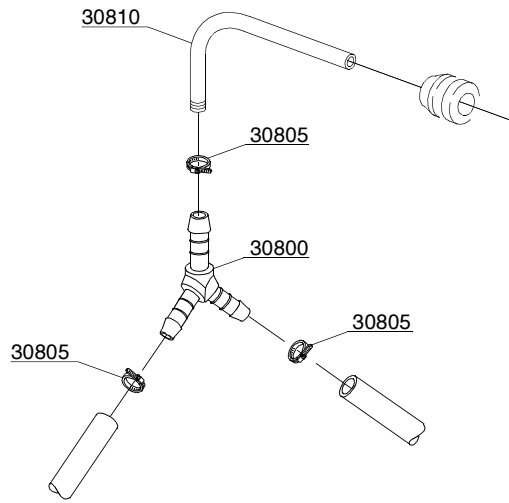
ID	P-code	Model	Type	Accessory	Voltage	Description
MODULE:Boiler group						
12400	13010		73U			OR gasket
12405	135905		73U			Boiler
12410	18206		73U			2,4KW heating element
12415	15550		73U			Safety thermostat



12_003ae

Spare parts

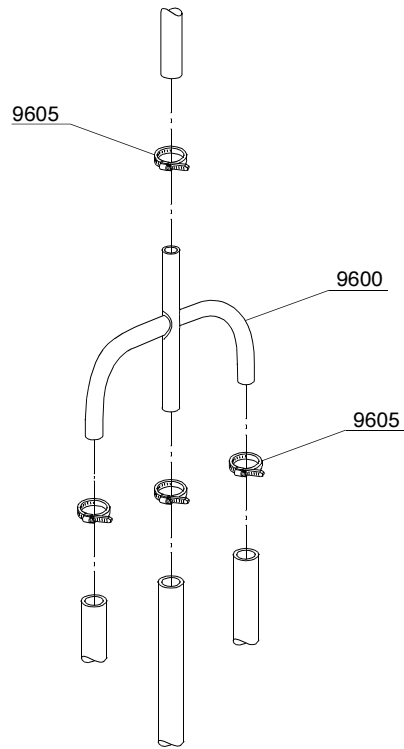
ID	P-code	Model	Type	Accessory	Voltage	Description
MODULE:3 ways derivation						
30800	540090		73U			Ø10 mm plastic 3 ways derivation
30805	11807		73U			12/22 clamp



12_003be

Spare parts

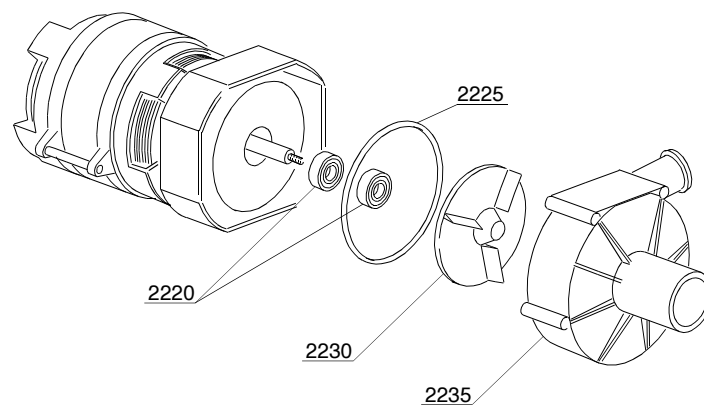
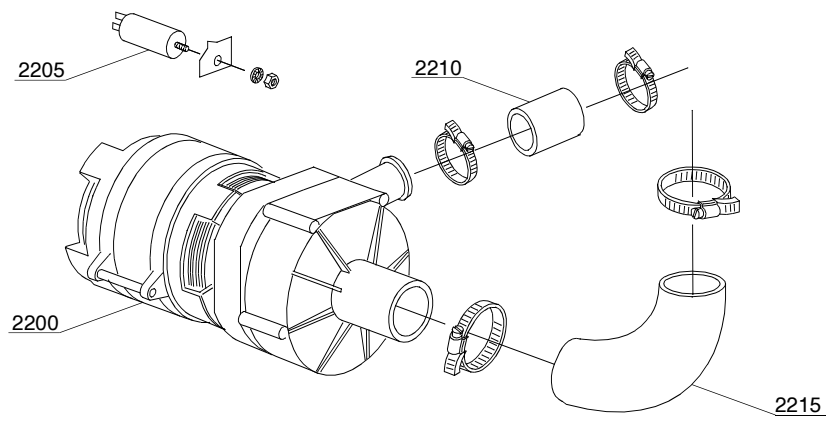
ID	P-code	Model	Type	Accessory	Voltage	Description
MODULE:3 ways derivation						
30800	540091		73U			Ø12 mm plastic 3 ways derivation
30805	11807		73U			12/22 clamp
30810	15168		73U			Rinse ramp



12_004_e

Spare parts

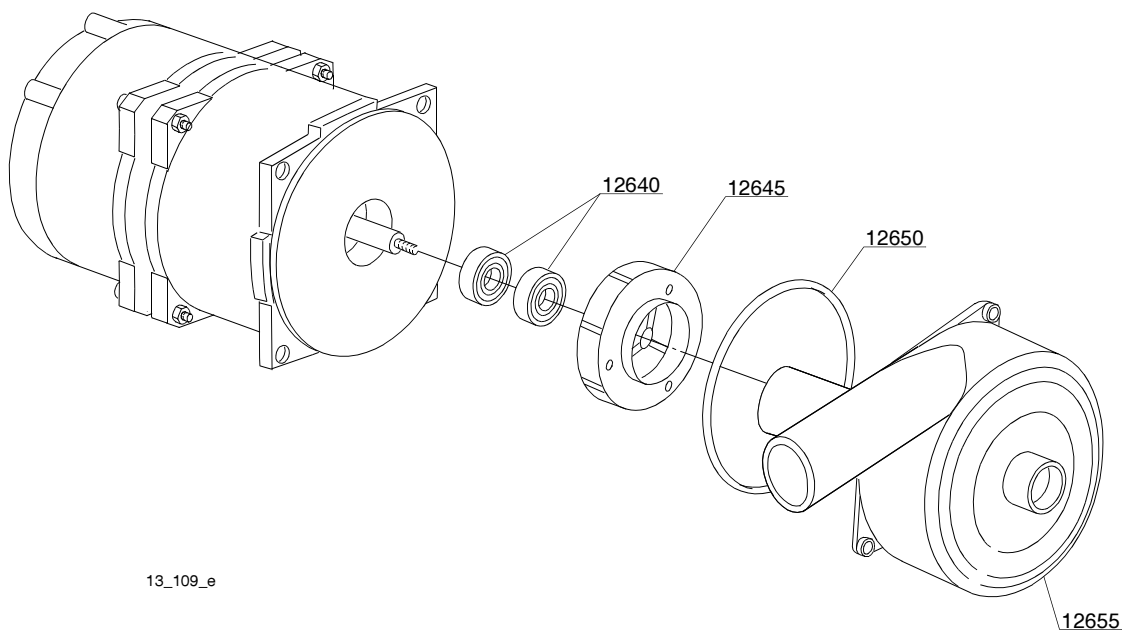
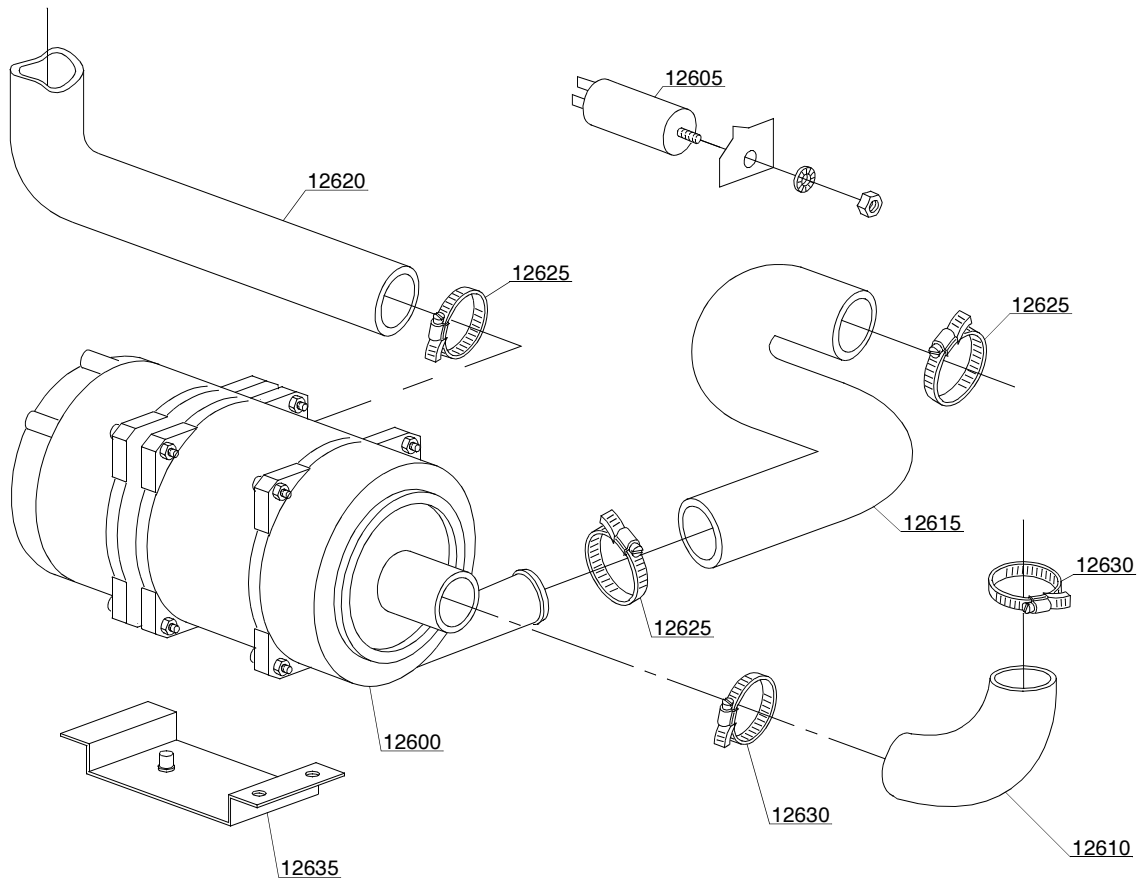
ID	P-code	Model	Type	Accessory	Voltage	Description
MODULE:4 ways derivation						
9600	15151		73U	cr		Ø10 mm 4 ways derivation
9605	11807		73U			12/22 clamp



13_002_e

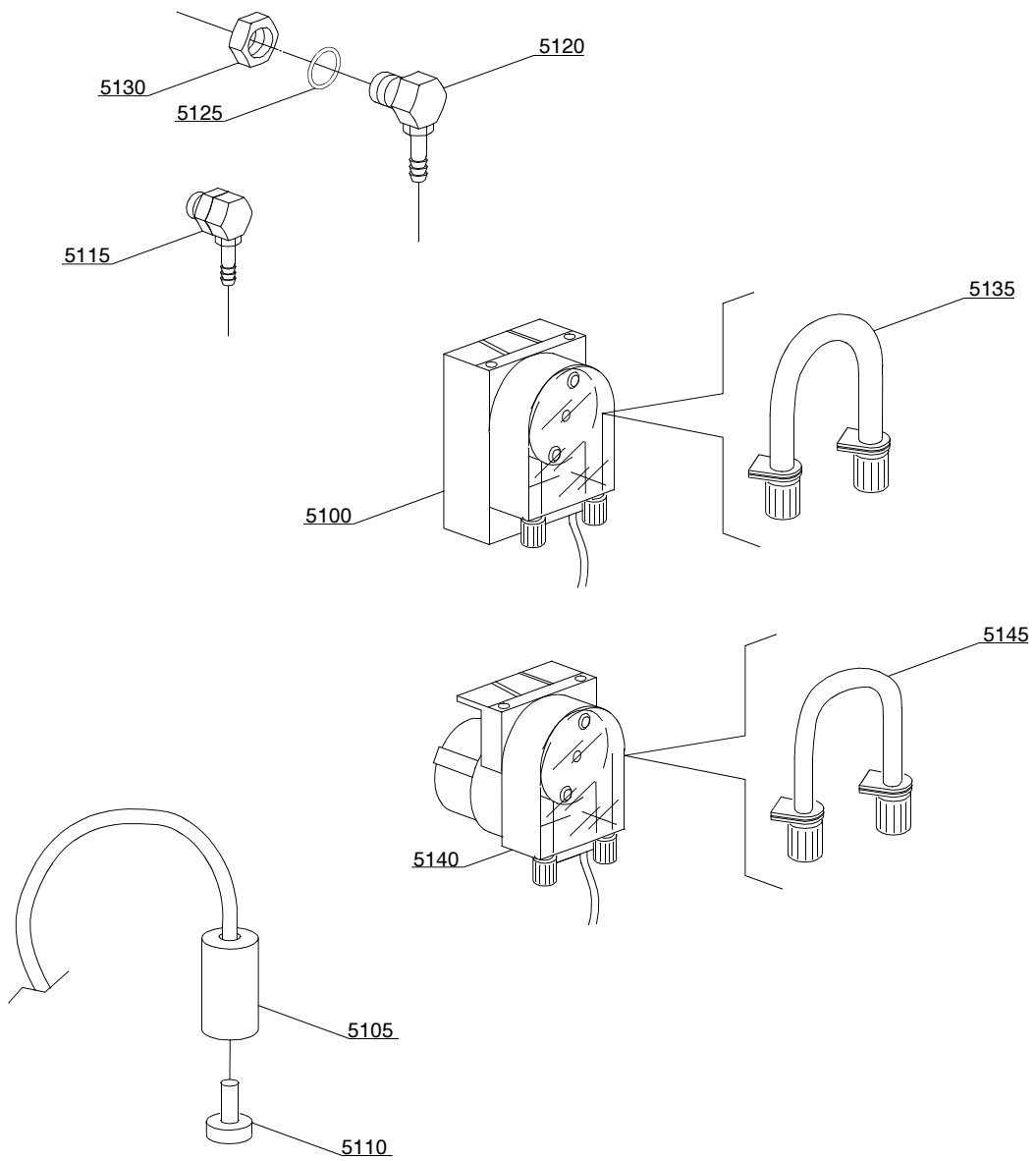
Spare parts

ID	P-code	Model	Type	Accessory	Voltage	Description
MODULE:Wash pump						
2200	10501/A		73U			0,10 Hp wash pump
2205	10702		73U			5 uF condenser
2210	10718		73U			Pump pipe coupling
2215	18787		73U			Suction pipe coupling
2220	10505		73U			Pump shaft gaskets
2225	10506		73U			79,8x2,6 OR gasket
2230	10504		73U			Pump rotor
2235	10502		73U			Scroll



13_109_e

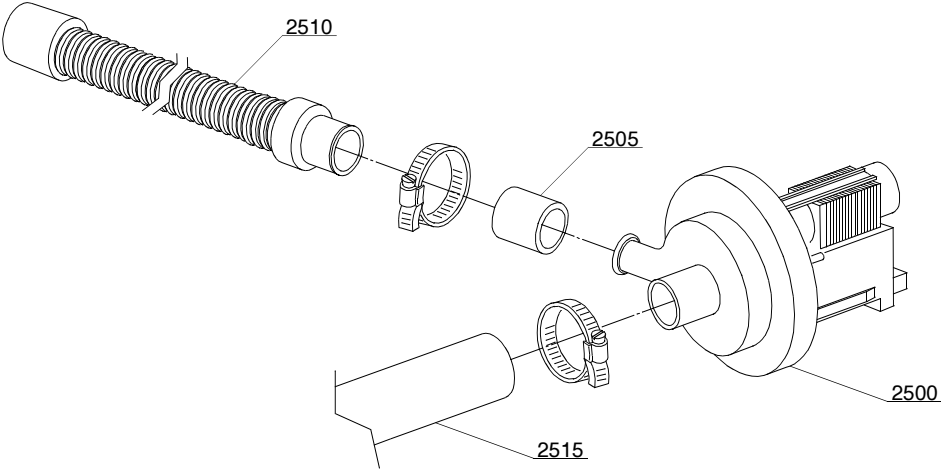
ID	P-code	Model	Type	Accessory	Voltage	Description
MODULE:Wash pump						
12600	18242		73U			0,30Hp wash pump
12600	260050		73U			0,30Hp wash pump
12605	16043		73U			8 uF condenser
12610	18787		73U			Suction pipe coupling
12615	16167		73U			Lower wash delivery pipe:part of wash ramp
12620	16167		73U			Wash ramp
12625	11806		73U			25/40 clamp
12630	11809		73U			30/45 clamp



14_004_e

Spare parts

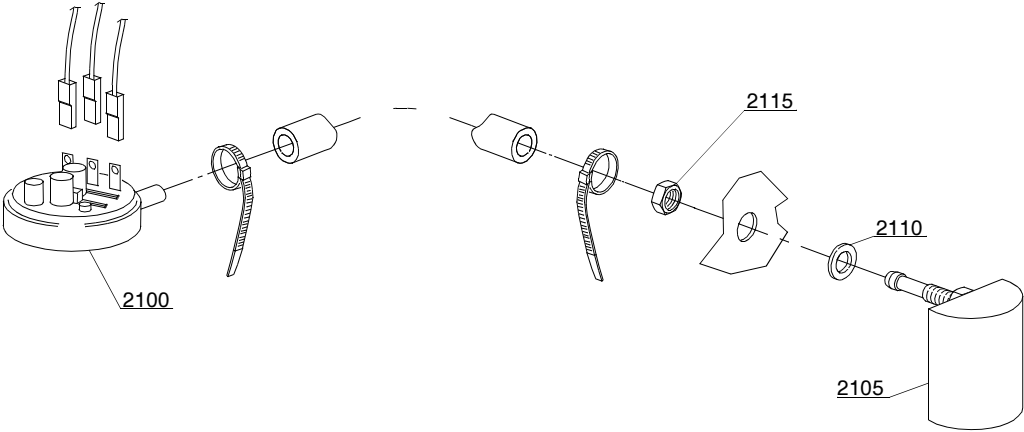
ID	P-code	Model	Type	Accessory	Voltage	Description
MODULE:Dosing device group						
5100	15985		73U	dd		Seko dosing device
5105	12525		73U	dd		Counter-weight
5110	15058		73U	dd		Small filter
5115	15123		73U	dd		Complet plastic injector
5120	15148		73U	dd		Steel injector
5125	15159		73U	dd		OR gasket
5130	10200205		73U	dd		M12x1 stainless steel nut
5135	15185		73U	dd		Seko thermoplastic pipe
5140	15985		73U	dd		Germac dosing device
5145	15108/E		73U	dd		Germac thermoplastic pipe



15_004_e

Spare parts

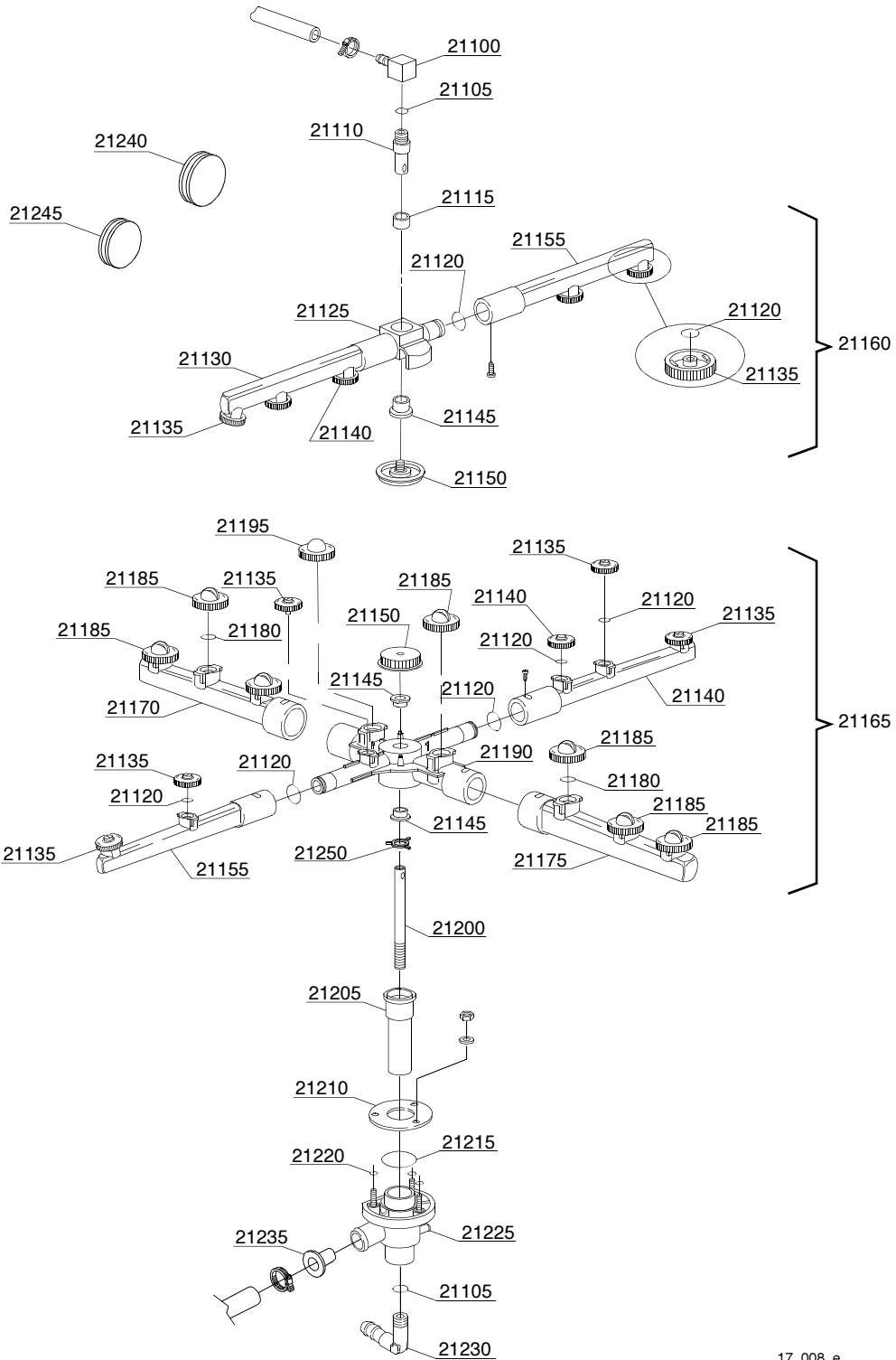
ID	P-code	Model	Type	Accessory	Voltage	Description
MODULE:Drain pump group						
2500	15101		73U	dp		Drain pump
2505	15101/D		73U	dp		Pipe fitting
2510	10727		73U	dp		Drain pipe
2515	18787/A		73U	dp		Drain coude/pump connection pipe



16_001_e

Spare parts

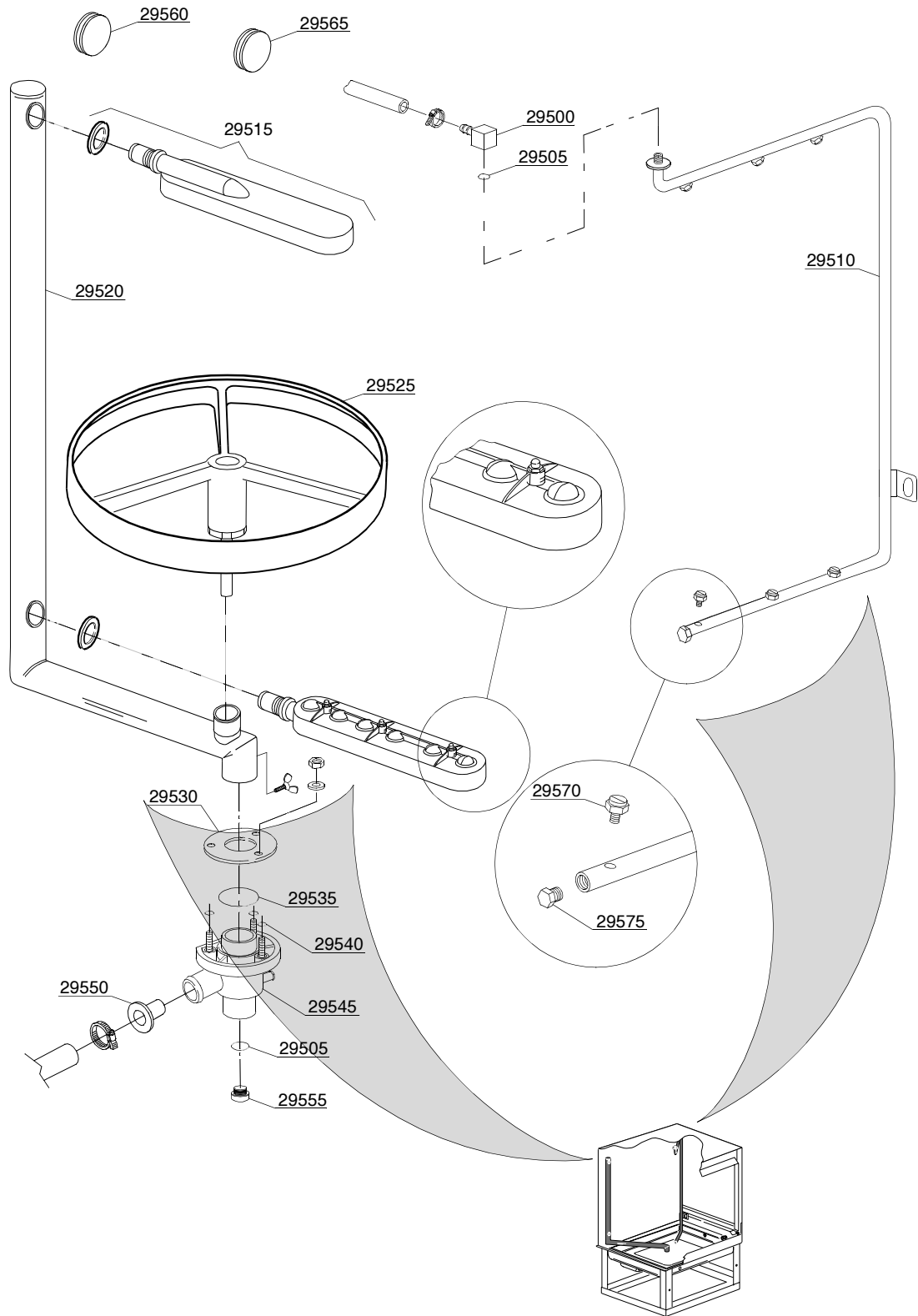
ID	P-code	Model	Type	Accessory	Voltage	Description
MODULE:Pressure switch group with air trap						
2100	10706/A		73U			47-27 pressure switch
2105	10911/D		73U			Air trap assembly
2110	13301		73U			Gasket
2115	11702		73U			M8 stainless steel nut



17_008_e

Spare parts

ID	P-code	Model	Type	Accessory	Voltage	Description
MODULE:Turret group with rotating arms						
22100	350402		73U			Top turret rinse hub
22105	13003		73U			OR 112 NBR gasket
22110	350401		73U			Lower axle rinse hub
22115	13320		73U			Sliding washer
22120	13002		73U			OR R6 NBR gasket
22125	10359		73U			Rinse rotor
22130	10361		73U			Left rinse pipe
22135	12537		73U			Opened head rinse nozzle
22140	12538		73U			Closed head rinse nozzle
22150	10365		73U			Handle with insert
22155	10360		73U			Right rinse pipe
22160	10996		73U			Top rinse group
22165	18995		73U			Lower wash/rinse group
22170	10355		73U			Right wash pipe
22175	10356		73U			Left wash pipe
22180	13009		73U			OR 2050 NBR gasket
22185	10366		73U			Opened head wash nozzle
22190	10364		73U			Wash rotor
22195	10358		73U			Closed head wash nozzle
22200	135101		73U			10x1x190 stainless steel ground axle
22205	135250		73U			Bell-shape assembly with pipe coupling
22210	16038		73U			Ø60 stainless steel disk
22215	13000		73U			OR 3125 NBR gasket
22220	13001		73U			OR 104 NBR gasket
22225	10205/A		73U			Lower wash turret
22230	12030		73U			3/8M Ø12 elbow pipe fitting
22235	12518		73U			Flux reducer
22240	13316/A		73U			DVGW hole gasket
22245	13316		73U			43x10 blind gasket
22250	10203		73U			Guide pipe
22255	13306/A		73U			Top wash ramp gasket
22260	137134		73U			Top wash pipe
22265	10221		73U			Wash nozzle
22265	10275		73U			Wash nozzle
22270	137903		73U			Top wash group
22275	12503		73U			Plug
22280	10378		73U			Nozzle



17_122_e

ID	P-code	Model	Type	Accessory	Voltage	Description
MODULE:Turret group with rotating arms						
29500	350402		73U			Top turret rinse hub
29505	13003		73U			OR 112 NBR gasket
29510	260051		73U			Wash ramp
29515	16157		73U			Wash arm
29520	260052		73U			Rinse ramp
29525	370101		73U			Basket support
29530	16038		73U			Ø60 stainless steel disk
29535	13000		73U			OR 3125 NBR gasket
29540	13001		73U			OR 104 NBR gasket
29545	10205/A		73U			Lower wash turret with hole
29550	12518		73U			Flux reducer
29555	80277		73U			Plug
29560	13316		73U			43x10 blind gasket
29565	13316/A		73U			DVGW hole gasket
29570	560018		73U			Stainless steel rinse nozzle
29575	560017		73U			Rinse arm plug