

# ROBOT

LINEA ROBOT

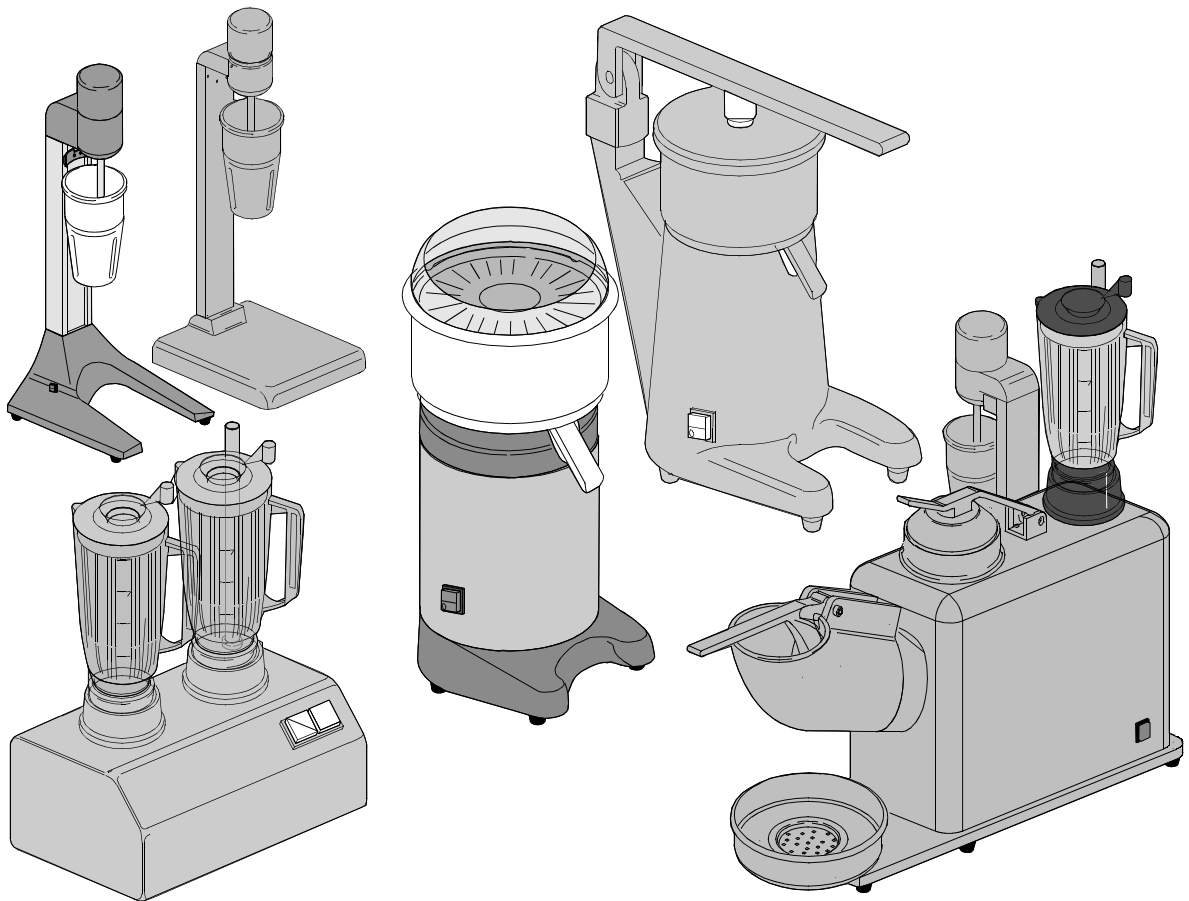
TYPE: RO

Accessories  
WITHOUT ACCESSORY

---

## Spare parts manual

---





## 1. Spare parts

<b>Blender F1 / F2 .....</b>	<b>7</b>
<b>Blender F1 / F2 .....</b>	<b>9</b>
<b>Blender F1 / F2 .....</b>	<b>11</b>
<b>Citrus squeezers S30 .....</b>	<b>13</b>
<b>Citrus squeezers S40 .....</b>	<b>15</b>
<b>Citrus squeezers S40 .....</b>	<b>17</b>
<b>Citrus squeezers S55 .....</b>	<b>19</b>
<b>Citrus squeezers S55 .....</b>	<b>21</b>
<b>Multiple group GM mod.03.....</b>	<b>23</b>
<b>Multiple group GM/2 mod.03 .....</b>	<b>25</b>
<b>Multiple group GM - GM/2.....</b>	<b>27</b>
<b>Multiple group GM2/2.....</b>	<b>29</b>
<b>Multiple group GM2/2 mod.03 .....</b>	<b>33</b>
<b>Multiple group GM3 mod.03.....</b>	<b>35</b>
<b>Multiple group GM4 mod.03.....</b>	<b>39</b>
<b>Multiple group GM3 - GM4.....</b>	<b>43</b>

**Spare parts**

---

**Mixer M1 - M2 - MP ..... 47**

**Mixer M1 - M2 - MP ..... 49**

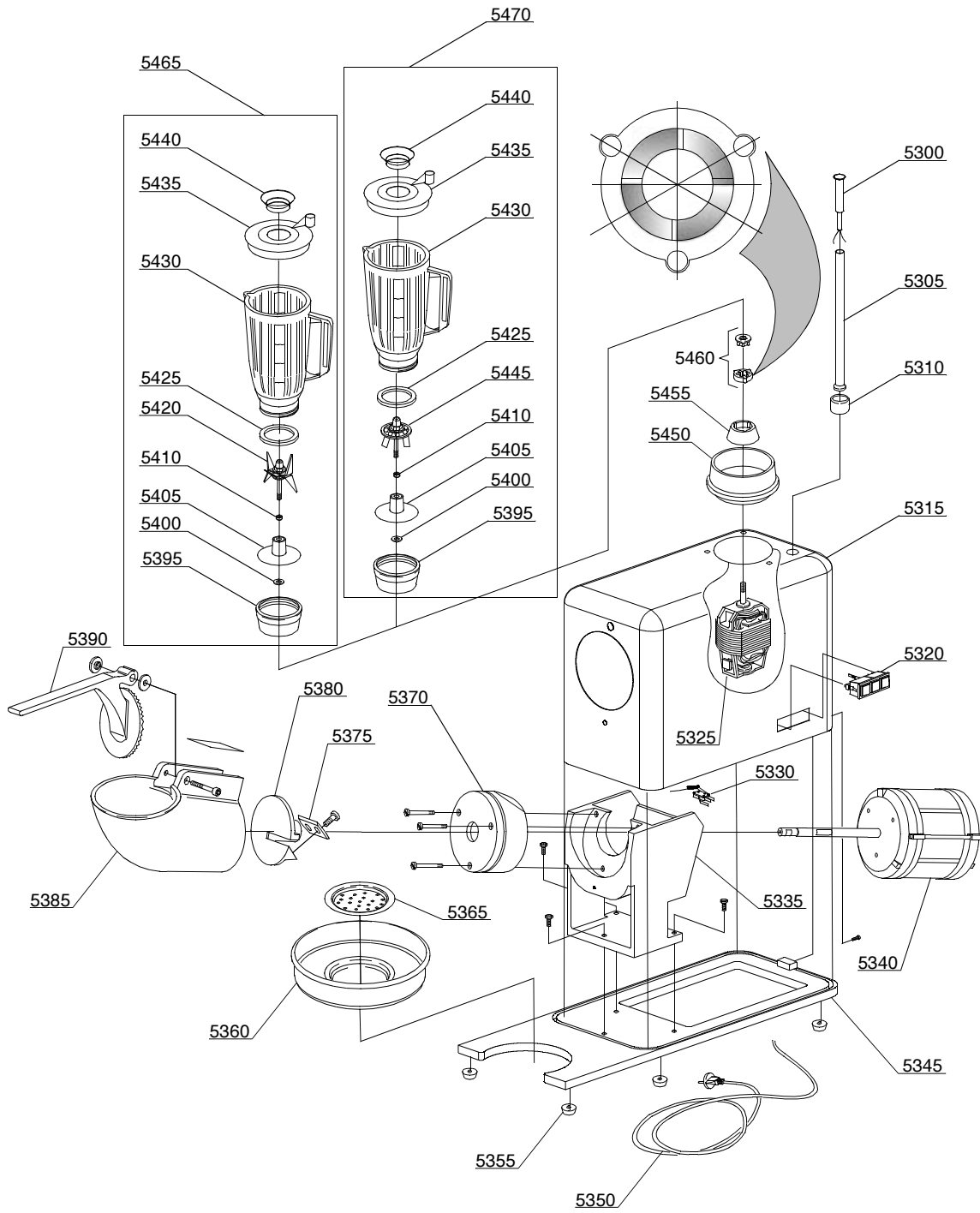
**Mixer M1 - M2 - MP ..... 51**

## 1.1 Voltage codes

Voltage code	Voltage
A	3/N/PE~400/230V 50Hz
B	~250V 16A 50Hz
C	3/N/PE~380/220V 50Hz
D	3/PE~200V 50-60Hz
F	2/PE 220-240V 50Hz
G	3/N/PE~415/240V 50Hz
H	3/PE~230V 50Hz
I	3/PE~220V 60Hz
J	3/PE~380 50Hz
K	3/PE~400V 50Hz
L	3/PE~415V 50Hz
M	3/PE~440V 60Hz
N	3/PE~460V 60Hz
O	3/PE~480V 60Hz
P	1/N/PE~220-240V 50Hz
R	2/PE~220-230V 60Hz
S	3/N/PE~400/230V 50Hz
T	3/PE~230V 60Hz

## 1.2 Product codes

Product code	Full name
Model codes	
Type codes	
51	51
56A	56A
56B	56B
56RB	56RB
56C	56C
56RC	56RC
56	56
57A	57A
57B	57B
57C	57C
57	57
581	581
582	582
58R	58R
58	58
RO	RO
BW	BW
Accessory codes	
wa	WITHOUT ACCESSORY



01\_028\_e

## Spare parts

ID	P-code	Model	Type	Accessory	Voltage	Description
MODULE:Multiple group GM2/2 mod.03						
5300	60198		BW,RO,5703,5703B			Microswitch
5305	60363		BW,RO,5703,5703B			Micro axle-holder pipe
5310	60365		BW,RO,5703,5703B			Micro axle support
5315	61012		BW,RO,5703,5703B			Stainless steel cover GM2/2 mod.03
5320	60139		BW,RO,5703,5703B			Triple push button panel
5325	60360		BW,RO,5703,5703B			2 speed motor
5330	10704		BW,RO,5703,5703B			Microswitch
5335	61003		BW,RO,5703,5703B			Engine support mod.03
5340	60142		BW,RO,5703,5703B			Main motor
5345	61006		BW,RO,5703,5703B			Base GM mod.03
5350	60125		BW,RO,5703,5703B			Power supply cable
5355	60126		BW,RO,5703,5703B			Rubber small foot
5360	60137		BW,RO,5703,5703B			Ice holder little tank
5365	60136		BW,RO,5703,5703B			Perforated rounded small grill
5370	61004		BW,RO,5703,5703B			Feeder support mod.03
5375	60127		BW,RO,5703,5703B			Blade for ice-crusher
5380	61002		BW,RO,5703,5703B			Blade holder
5385	61000		BW,RO,5703,5703B			Ice feeder
5390	61001		BW,RO,5703,5703B			Ice press handle
5395	60184		BW,RO,5703,5703B			Glass base
5400	60196		BW,RO,5703,5703B			Antifriction washer
5405	60195		BW,RO,5703,5703B			Bushing support disk
5410	60197		BW,RO,5703,5703B			V-ring Ø 6
5420	60116		BW,RO,5703,5703B			Knife assembly with axle
5425	60183		BW,RO,5703,5703B			Glass gasket
5430	60191		BW,RO,5703,5703B			1,5lt plastic glass
5435	60182		BW,RO,5703,5703B			Glass plug
5440	60192		BW,RO,5703,5703B			Plug for glass cover
5445	60108		BW,RO,5703,5703B			Blender cone assembly
5450	60361		BW,RO,5703,5703B			Blender glass support
5455	60362		BW,RO,5703,5703B			Gear support
5460	60107		BW,RO,5703,5703B			Female-male gear
5465	60176		BW,RO,5703,5703B			1,5lt plastic glass with blades
5470	60178		BW,RO,5703,5703B			1,5lt plastic glass with cones