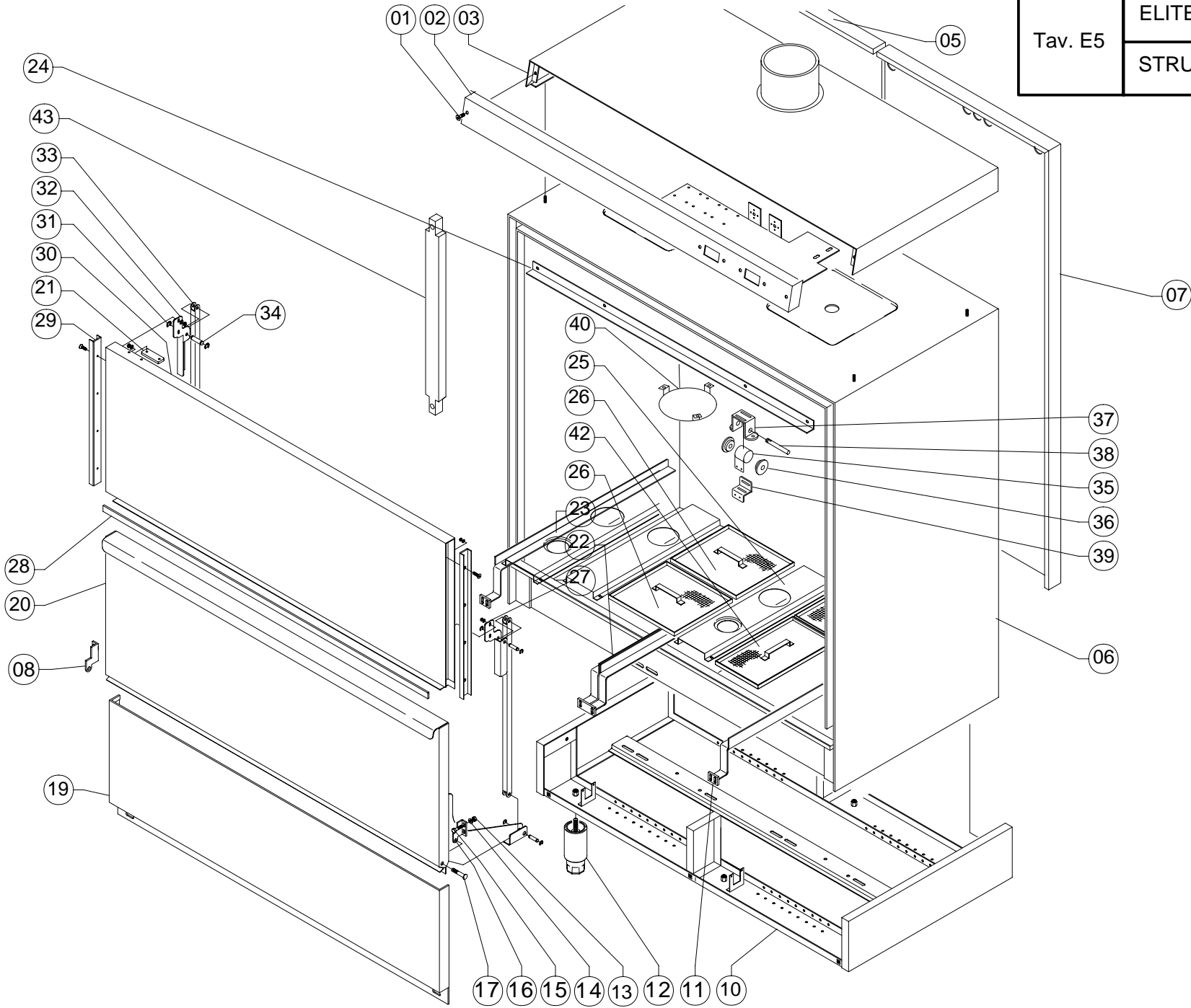


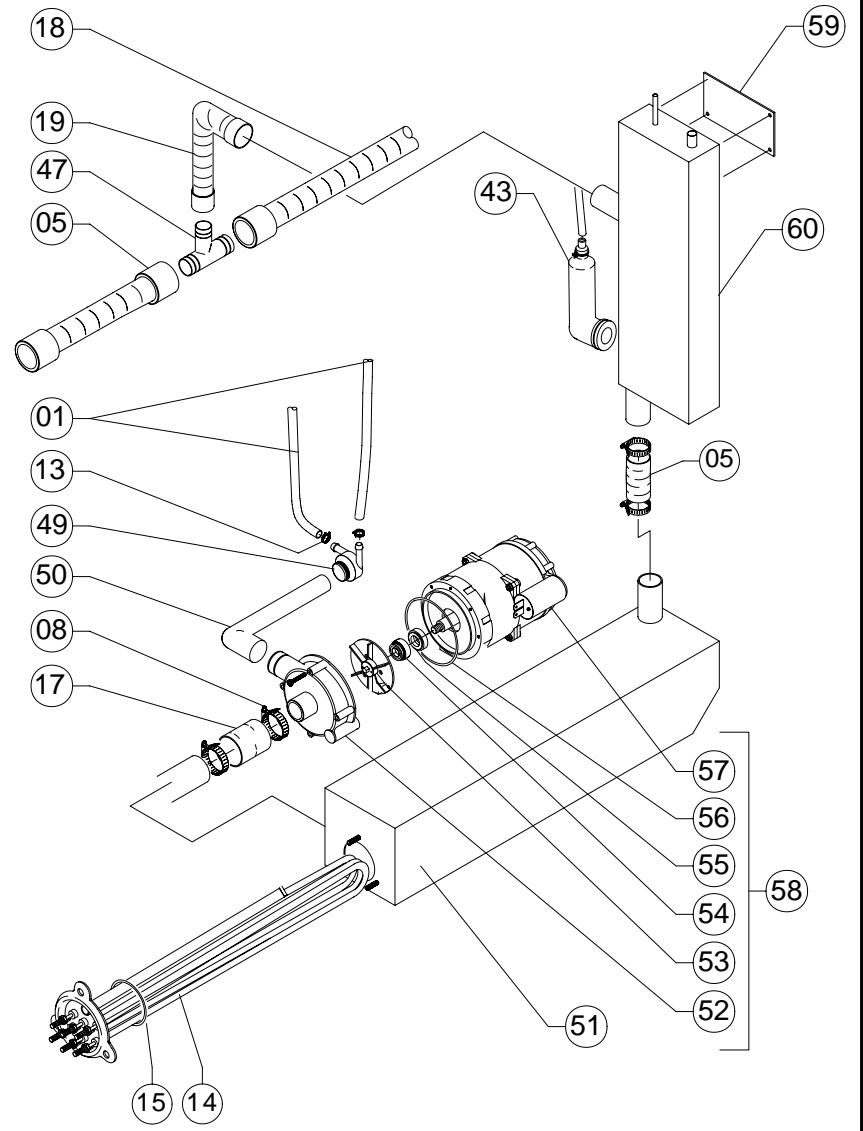
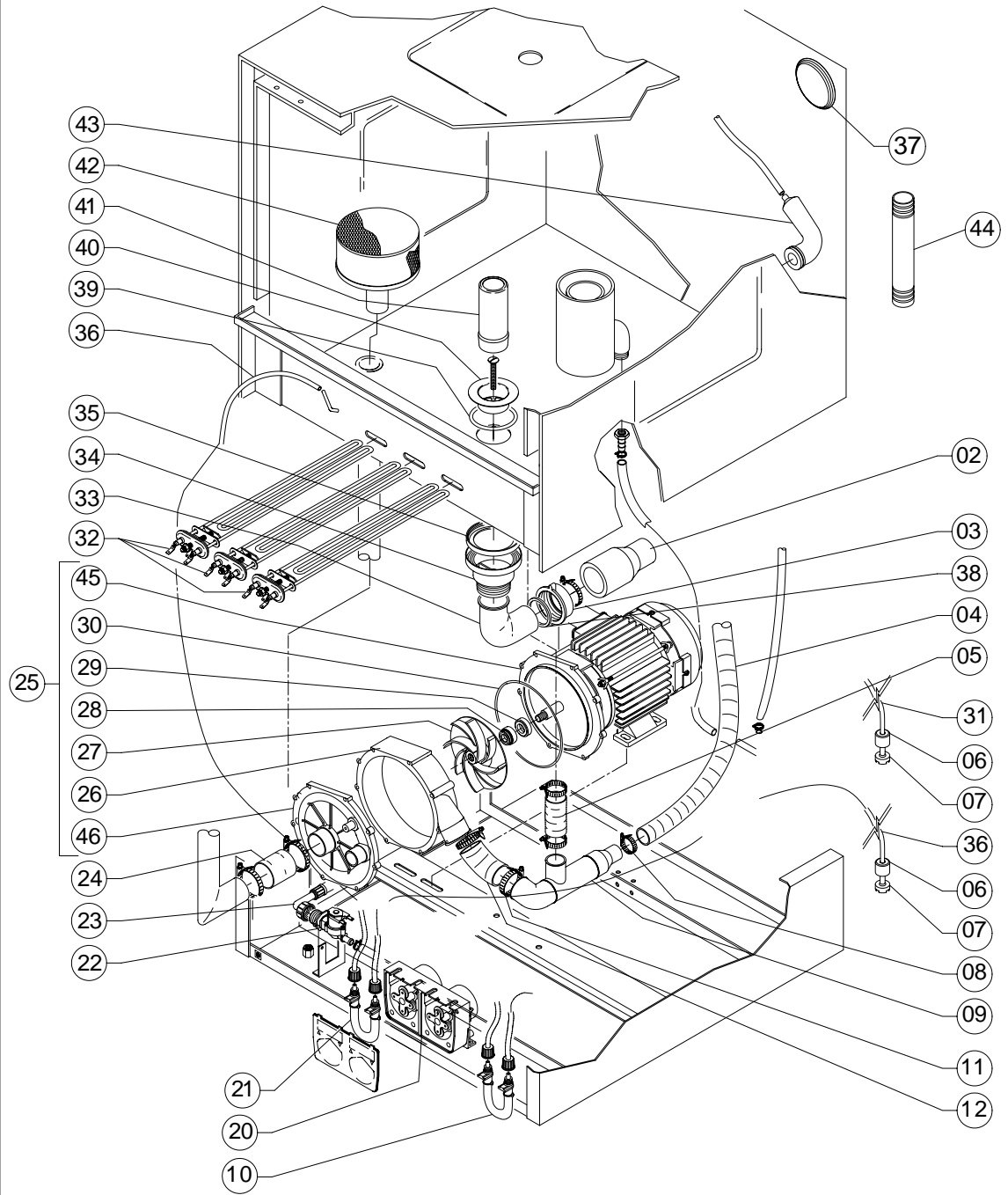
ESPLOSO RICAMBI EXPLODED VIEWS

ELITECH EL99

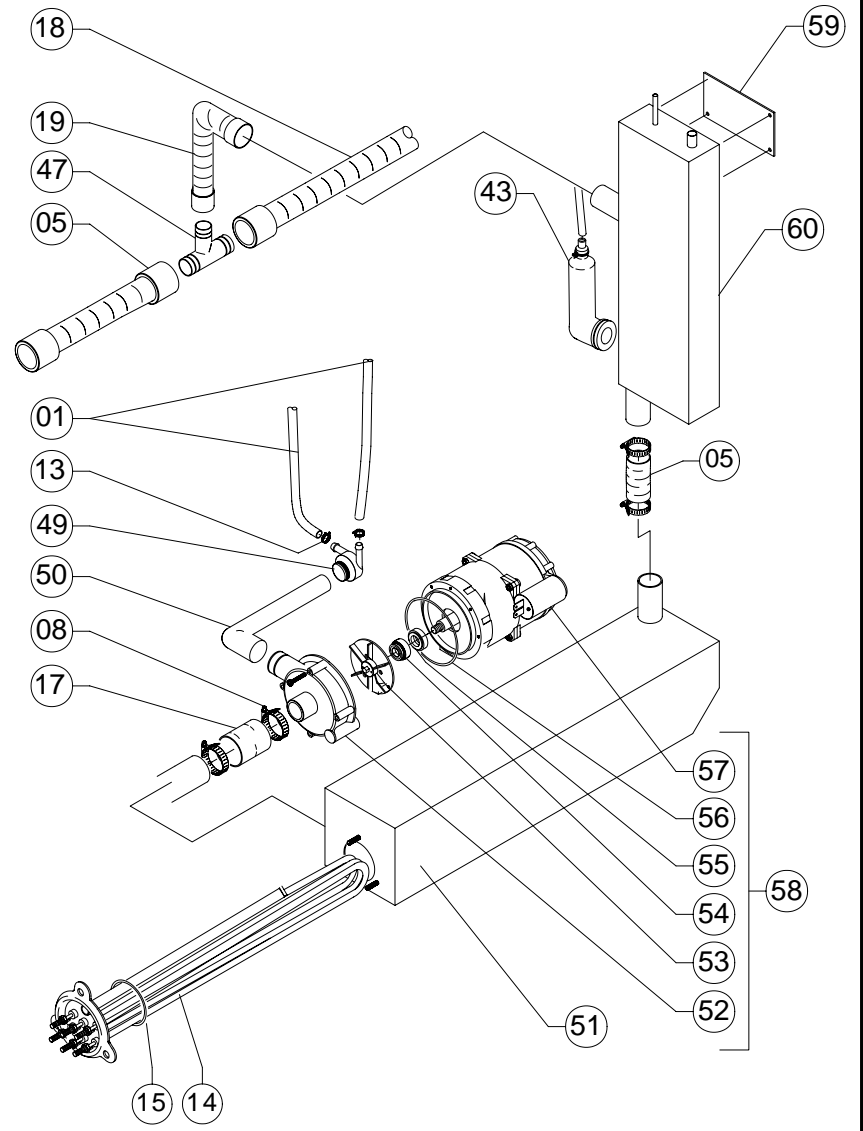
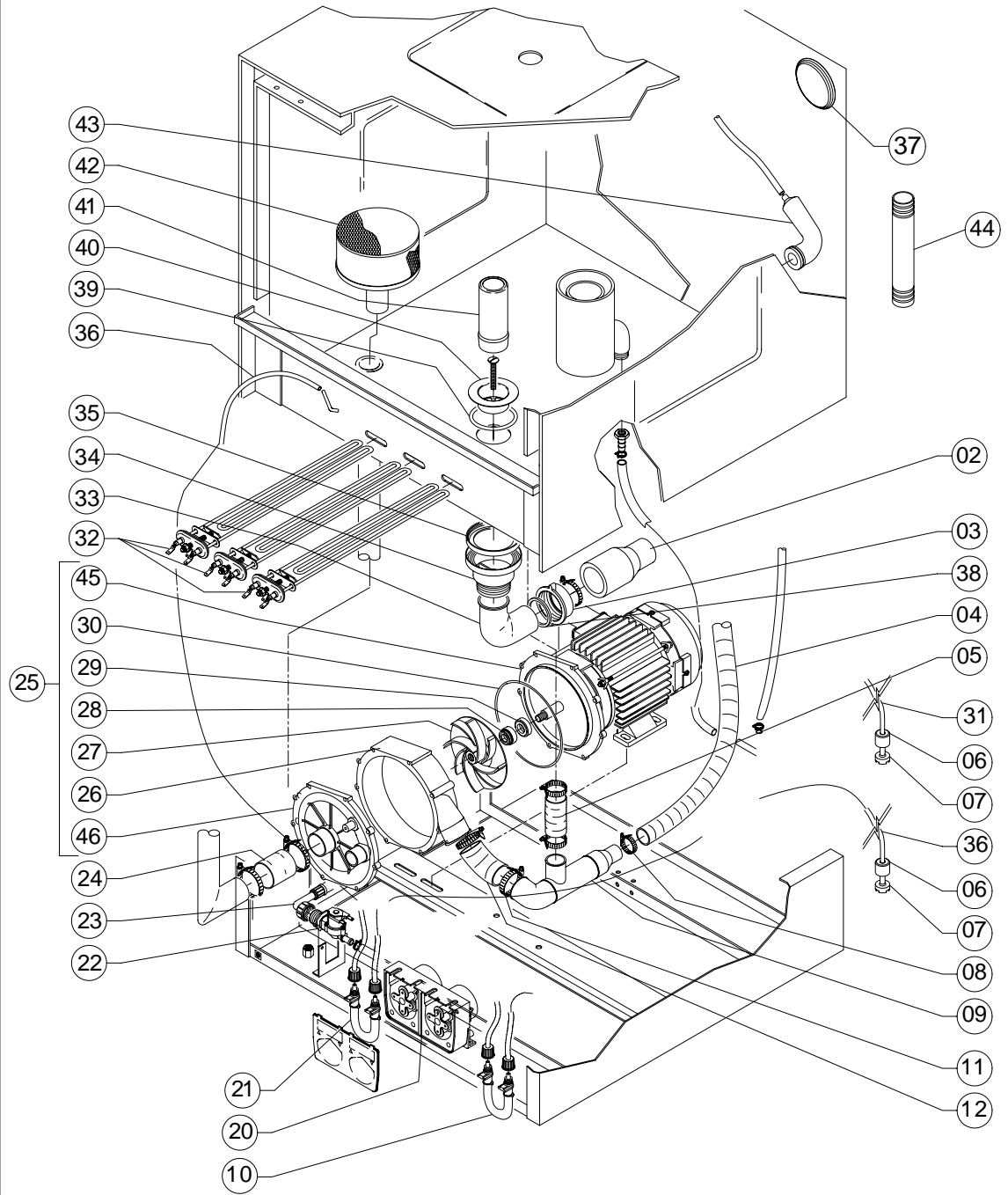


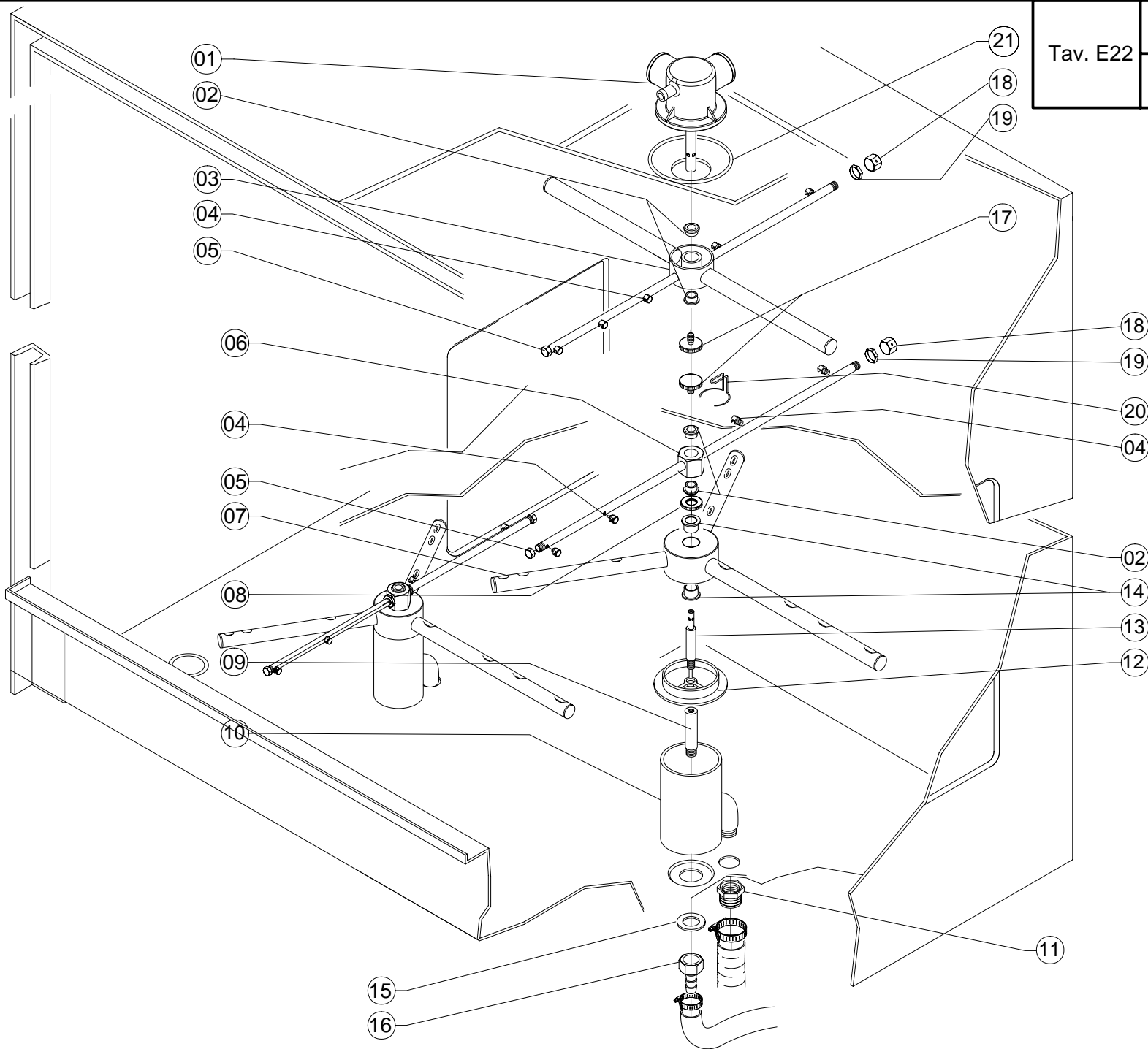


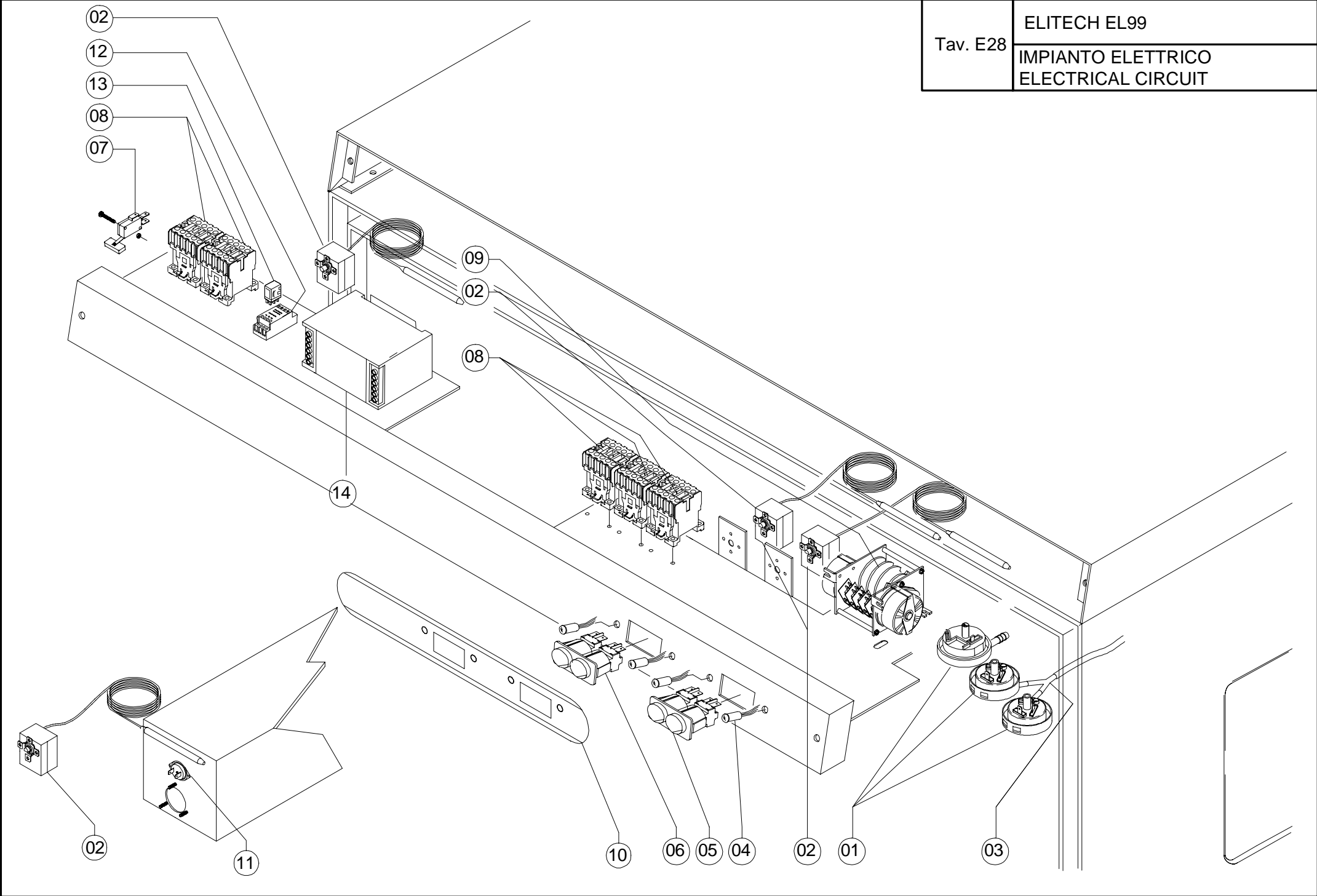
					TAV. E5
POS.	ELITECH EL99	DESCRIZIONE	DESCRIPTION	DESCRIPTION	BESCHREIBUNG
1	210	Vite TC croce inox M5x30	Stainless steel TC cross screw M5x30	Vis TC en croix inox M5x30	Kreuzschlitzschraube TC aus Edelstahl M5x30
2	990510	Pannello comandi	Command panel	Tableau des commandes	Bedienung mit Steuerungen
3	990500	Copertura inox	Stainless steel cover	Couverture inox	Abdeckung aus Edelstahl
5	990521	Schiena posteriore SX			
6	990530	Vasca	Tank	Cuve	Becken
7	990520	Schiena posteriore DX	Rear panel	Panneau arrière	Hintere Rückseite
8	4001	Cerniera porta SX	Zn TE screw, M6x15	Vis TE ZN M6x15	Schraube TE M6x15 aus ZN
10	990560	Zoccolo inox	Stainless steel base	Socle inox	Sockel aus Edelstahl
11	990570	Guida dx cesto quadro	Right-hand square basket guide	Guide droit panier carré	Rechte schiene quadratischer korb
12	1000090	Piedino regolabile	Adjustable foot	Pied réglable	Einstellbarer Fuß
13	110	Dado inox 5MA	Stainless steel nut, 5MA	Ecrou inox 5MA	Mutterschraube aus Edelstahl 5MA
14	160	Rondella inox M6	Stainless steel washer, M6	Rondelle inox M6	Unterlegscheibe aus Edelstahl M6
15	200	Vite TE inox M5x12	Stainless steel TE screw M5x12	Vis TE inox M5x12	Schraube TE aus Edelstahl M5x12
16	4000	Cerniera porta DX	Door hinge	Charnière porte	Scharnier Tür
17	4100	Perno inox porta	Stainless steel door pin	Goujon inox porte	Zapfen Tür aus Edelstahl
19	990550	Frontale inox inferiore	Lower stainless steel front panel	Bandeau frontal inox inférieur	Untere Front aus Edelstahl
20	990540	Porta inferiore	Lower door	Porte inférieur	Tür
21	1225	Magnete porta microinterruttore	Microswitch holding magnet	Aimant porte microcontact	Magnet Mikroschalter von Tür
22	990572	Guida centrale cesto quadro	Central square basket guide	Guide central panier carré	Schiene quadratischer Korb
23	990571	Guida sx cesto quadro	Left-hand square basket guide	Guide gauche panier carré	Linke Schiene quadratischer Korb
24	990548	Paraspruzzi	Upper panel	Panneau avant	Vordere abdeckung
25	9901021	Portafiltri centrale con foro	Central filter holder with hole	Porte filtres central avec trou	Zentrale Filterhalterung
26	9901011	Filtro piano centrale	Central Flat filter for tank	Filtre plat central	Filter Ablage becken
27	980546	Cerniera porta dx	Right-door hinge	Charnière droit porte	Rechte Scharnier Tür
28	990545	Guarnizione	Gasket	Joint	Dichtung
29	9801045	Guida Teflon	Teflon Guide	Guide	Schiene
30	990541	Porta Superiore	Door	Porte	Tür
31	100	Seeger	Seeger	Seeger	Seeger
32	980547	Cerniera porta sx	Left-door hinge	Charnière gauche porte	Linke Scharnier Tür
33	980541	Asta cerniera	Stainless steel guide	Guide inox	Edensthal schiene
34	4110	Perno lavaoggetti	Pin ware washer	Goujon lavebaterie	Zapfen
35	9803030	Molla ritorno porta	Spring	Ressort	Feder
36	9803031	Cuscinetto Dx/Sx	Right and left bearing	Douilles en PVC	PVC-Auflage
37	9803032	Supporto	Shaft	Support Ressort	Zapfenhalterung
38	9803033	Rullo inox	Stainless steel roller	Cylindre	Messinglauch
39	9803034	Staffa	Bracket	Entriere inferieur	Halterung
40	990502	Paraspruzzi	Upper panel	Panneau avant	Vordere abdeckung
42	9901010	Filtro piano laterale	Flat filter for tank	Filtre plat cuve	Filter Ablage becken
43	9801047	Guida teflon	Teflon Guide	Guide	Schiene



						TAV. E15		
POS.	ELITECH				DESCRIZIONE	DESCRIPTION	DESCRIPTION	BESCHREIBUNG
	EL98	EL99	-	-				
1	1380	1380			Tubo di gomma 10-17 90°C al mt	Rubber hose, 10-17 90°C per metre	Tuyau en caoutchouc 10-17 90°C au mètre	Gummischlauch 10-17 90°C, prolf. M
2	1368	1368			Riduzione			
3	1367	1367			Dado per codolo di scarico da 1"1/2G	Nut for discharge shaft,1"1/2G	Ecrou pour extrémité tuyau de vidange de 1" 1/2G	Mutterschraube für Endstück vom Abfluß 1"1/2G Zoll
4	600720	600720			Tubo ø30 lavaggio sup.	Upper wash pipe, ø30 mm	Tuyau ø30 lavage sup.	Lauch ø30 mm oberes Spülen
5	103543	103543			Manicotto ø32 raccordo inf.	Lower joint coupling, ø32 mm	Manchon ø32 raccord inf.	Muffe ø32 mm unterer Anschluß
6	1215	1215			Peso per tubetto aspirazione	Weight for intake tube	Poids pour petit tuyau aspiration	Gewicht für Ansaugschlauch
7	1218	1218			Filtro per tubetto aspirazione	Filter for intake tube	Filtre pour petit tuyau aspiration	Filter für Ansaugschlauch
8	510	510			Fascietta inox 25-40	Stainless steel band, 25-40	Collier inox 25-40	Schelle aus Edelstahl 25-40
9	800750	800750			Collettore inox lavaggio inferiore	Lower wash stainless steelmanifold	Collecteur inox lavage inférieur	Sammler aus Edelstahl unteres Spülen
10	1212	1212			Tubetto in santoprene	Santoprene tube	Petit tuyau en santoprène	Kleiner Schlauch aus Santopren
11	530	530			Fascetta inox 40-60	Stainless steel band, 40-60	Collier inox 40-60	Schelle aus Edelstahl 40-60
12	105060	105060			Manicotto ø50 raccordo inf.	Coupling for lower joint, ø50 mm	Manchon ø50 raccord inf.	Muffe ø50 unterer Anschluß
13	500	500			Fascetta inox 10-16	Stainless steel band, 10-16	Collier inox 10-16	Schelle aus Edelstahl 10-16
14	103432	103432			Resistenza boiler 6000 W	Boiler heater, 6000W	Résistance chauffe-eau 6000W	Heizschlange Boiler 6000W
15	103435	103435			Guarnizione or per resist. 4500W	OR heater gasket 4500W	Bague torique résistance 4500W	O-Ring-Dichtung für Heizsch. 4500W
16	207705	207705			Manicotto Ø32 a "L"			
17	103543	103543			Manicotto ingresso pompa	Pump entry coupling rubber hose	Manchon entrée pompe	Muffe Pumpeneingang
18	1335	1335			Tubo di scarico ø22 mm	Discharge pipe, ø22 mm	Tuyau de vidange ø22 mm	
19	5080	5080			Tubo estensibile 300mm			
20	1260K	1260K			Dosatori di brillantante e detergente elettrici			
21	1214	1214			Tubetto interno dosatore di brillantante	Rubber hose, 10-19 90°C per metre	Tuyau en caoutch .10-19 90°C au mètre	Gummischlauch 10-19 90°C, pro lfd. M
22	103370	103370			Elettrovalvola	Solenoid valve	Electrovanne	Elektroventil
23	1305	1305			Tubo carico acqua da 2.0 mt	Water entry pipe, 2.0 m	Tuyau de remplissage eau de 2 m	Wasseransaugschlauch, 2 m lang
24	106070	106070			Manicotto ingresso pompa	Pump entry rubber hose	Manchon entrée pompe	Muffe Pumpeneingang
25	6900	6900			Motore pompa lavaggio HP 3	Wash pump motor, 3 HP	Moteur pompe lavage HP 3	Motor Spülpumpe 3 PS
26	6810	6810			Chiocciola mandata motore pompa	Pump motor volute	Vis sans fin moteur pompe	Spiralgehäuse Pumpenmotor
27	6811	6811			Girante pompa	Pump rotor	Roue pompe	Lauftrad Pumpe
28	6014	6014			Guarnizione tenuta rotante	Rotary sealing gasket	Joint d'étanchéité rotatif	Dichtung Lauftrad
29	6013	6013			Guarnizione tenuta ceramica	Ceramic sealing gasket	Joint d'étanchéité céramique	Keramikdichtung
30	6812	6812			Guarnizione or per chiocciola pompa	Pump volute OR gasket	Bague torique pour vis sans fin pompe	O-Ring-Dichtung für Spiralgeh. Pumpe
31	1420	1420			Tubetto 6x4 azzurro per DB			
32	103408	103408			Resistenza vasca 3000 W	Tank heater, 3000W	Résistance cuve 3000 W	Heizschlange Becken 3000 W
33	1365	1365			Codolo curvo scarico da 40 mm	Curved discharge shaft, 40 mm	Extrémité coude vidange de 40mm	Gebogenes Endstück . Abfluß 40 mm
34	1362	1362			Raccordo polietilene	Joint	Raccord	Anschlub
35	1363	1363			Guarnizione esterna piana	Gasket for discharge drain	Joint pour siphon vidange	Dichtung für Ablauf vom Abfluß
36	1421	1421			Tubetto 6x4 giallo per DD	Transparent tube, 6x4 mm	Petit tuyau 6x4 mm transparent	Kleiner transparen. Schlauch 6x4 mm
37	104025	104025			Tappo foro 3/4			
38	1366	1366			Guarnizione codolo	Gasket	Joint	Dichtung
39	1361	1361			Guarnizione or interna per pileta inox	OR gasket	Bague torique	O-Ring-Dichtung
40	1360	1360			Piletta inox da 1"1/2	Inox drain, 1"1/2	Siphon inox de 1"1/2	Inoxblauf 1"1/2 Zoll
41	1201091	1201091			Tubo troppo pieno inox ø40	Stainless steel "too full" pipe ø40	Tuyau trop-plein inox ø40	Überlaufrohr aus Edelstahl ø40
42	3260	3260			Filtro inox	Stainless steel filter	Filtre inox	Filter aus Edelstahl
43	3280	3280			Trappola d'aria	Air trap	Prise d'air	Luftfalle
44	630	630			Collettore inox lavaggio superiore	Upper wash stainless steelmanifold	Collecteur	Sammler aus Edelstahl
45	6813	6813			Flangia motore pompa HP 3,0	Flange wash pump 3,0 HP	Bride moteur pompe	Flansch Pumpenmotor
46	6809	6809			Flangia aspirazione	Flange wash pump 3,0 HP	Bride moteur pompe	Flansch Pumpenmotor







Tav. E34

ELITECH EL95 - EL96 - EL98 - EL99

CESTELLI / BASKETS

