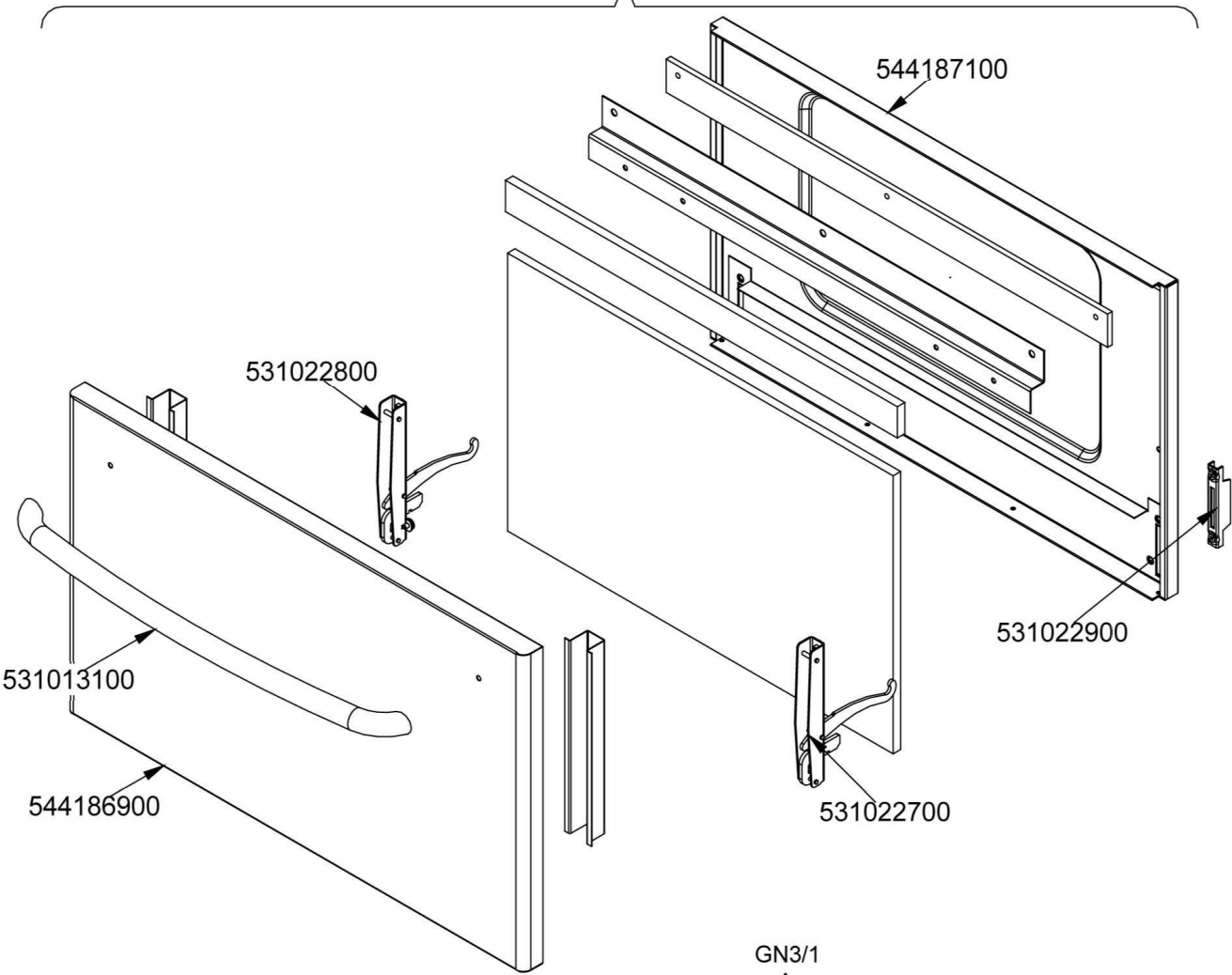
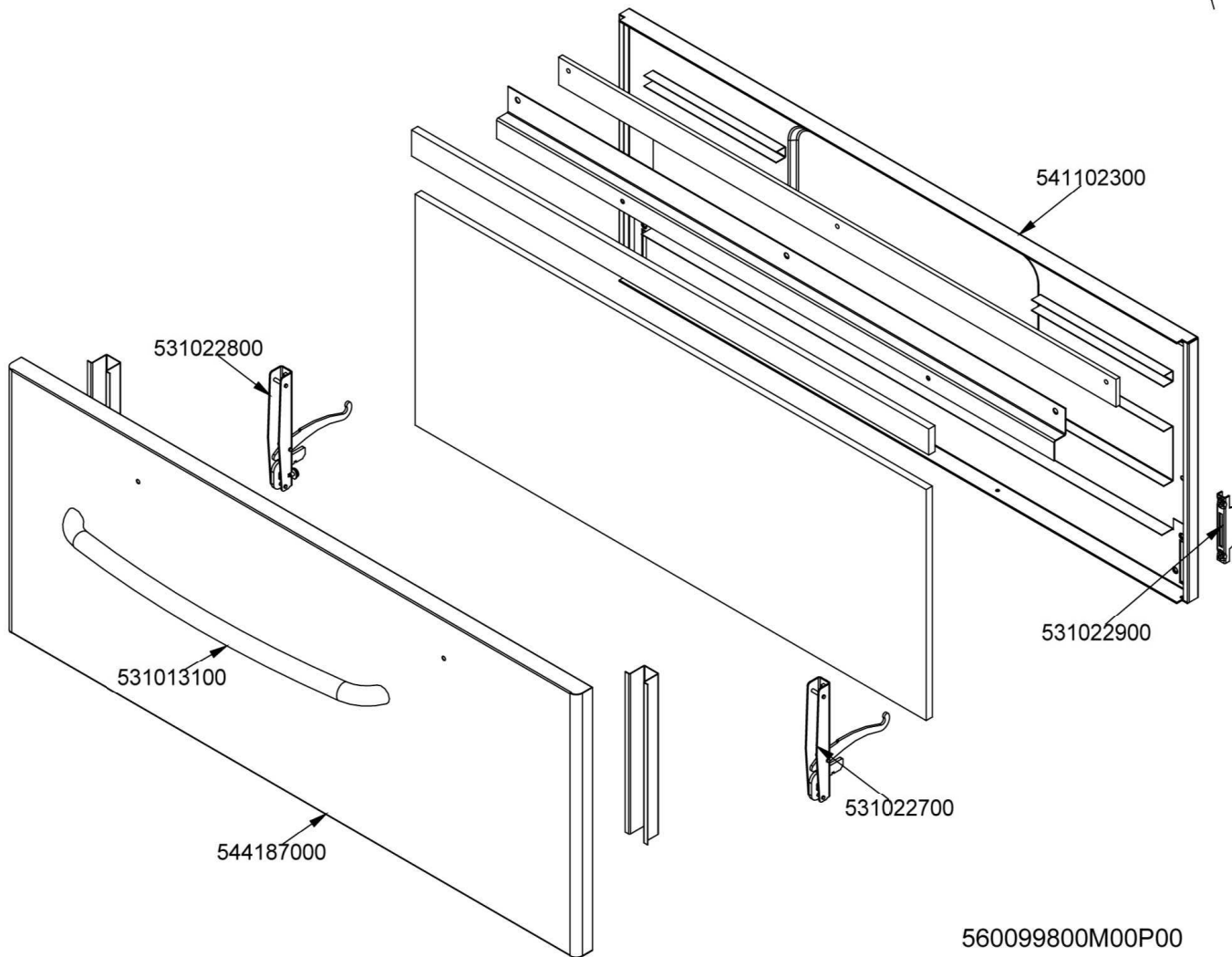


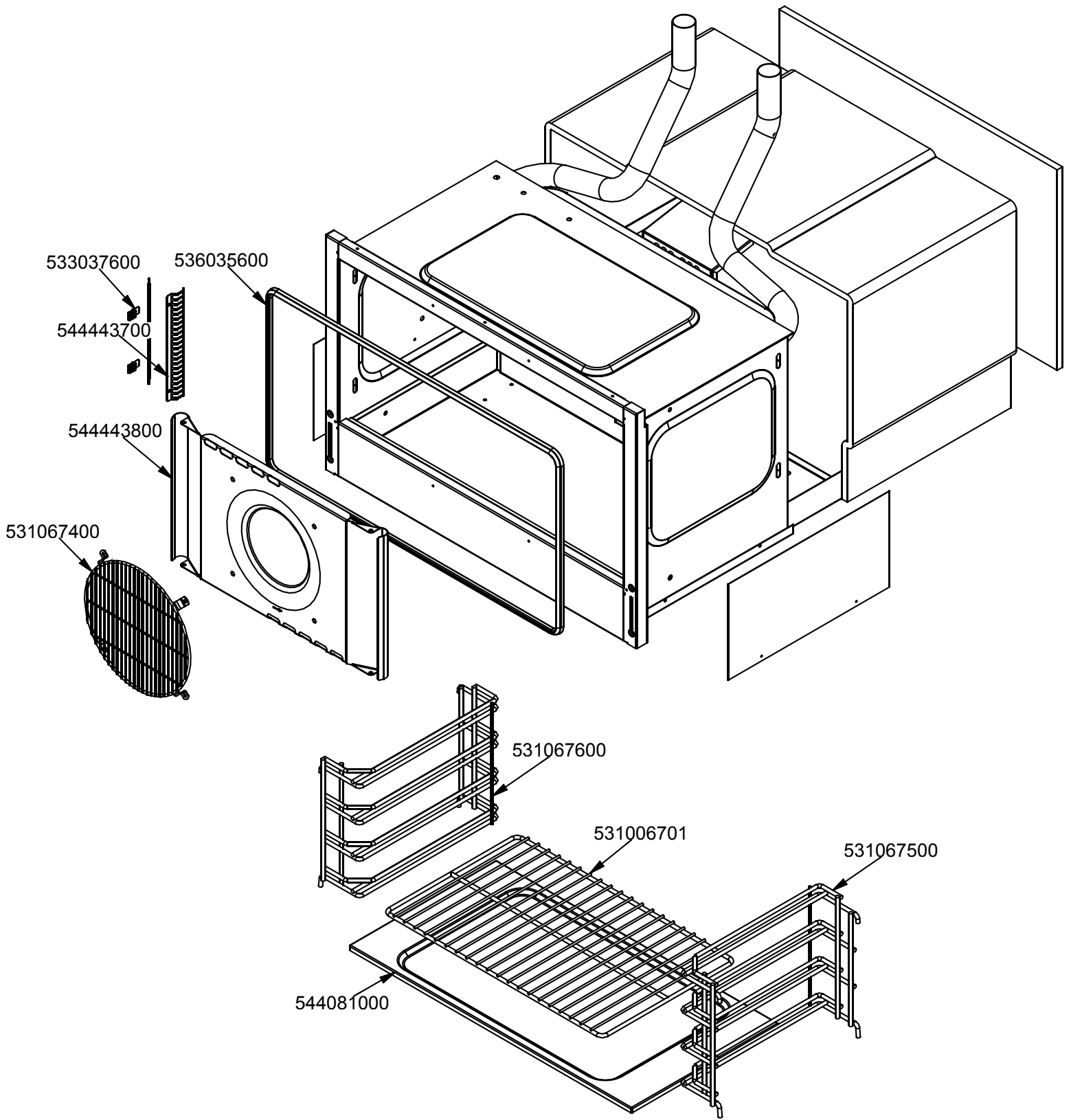
GN2/1

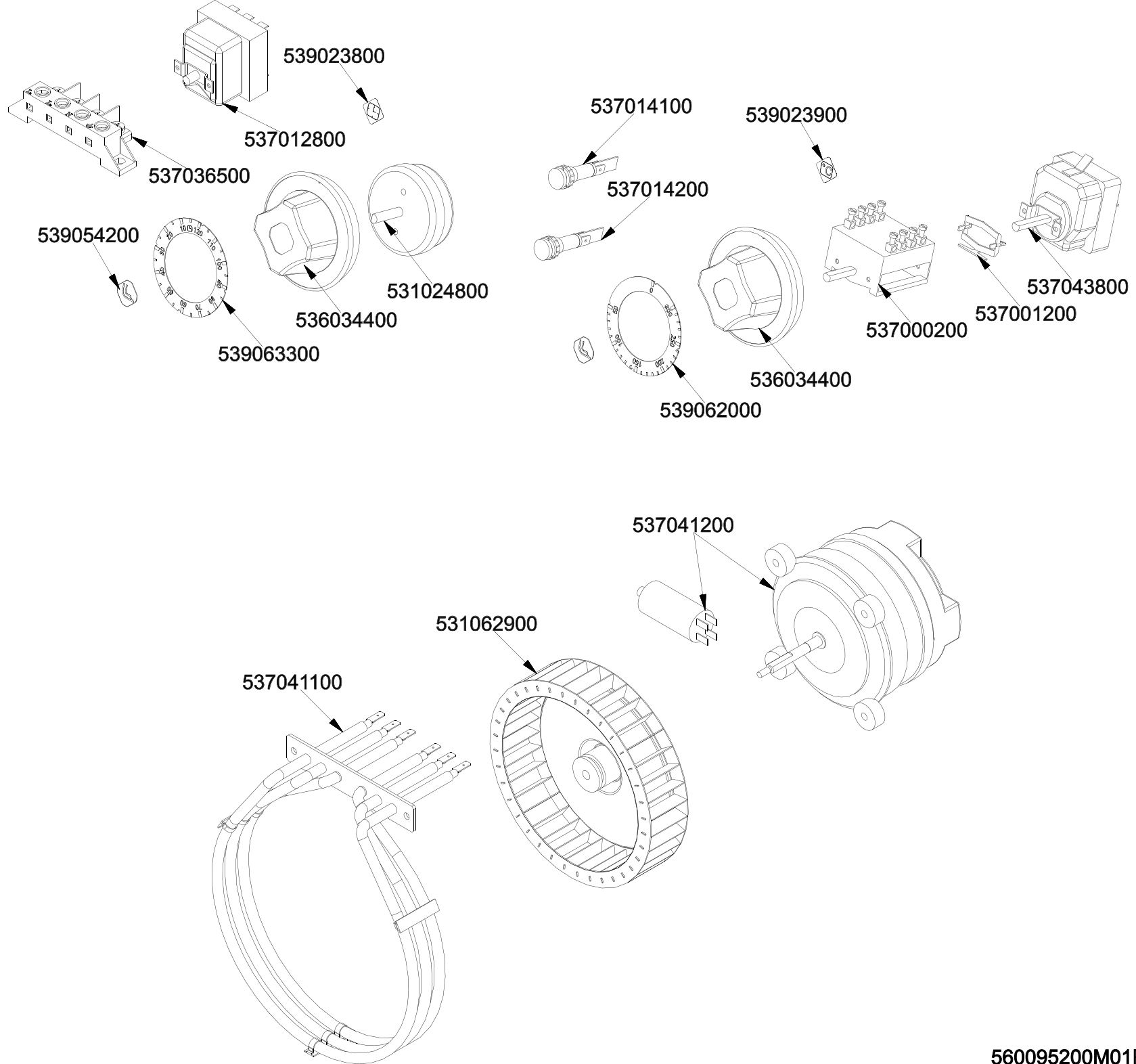


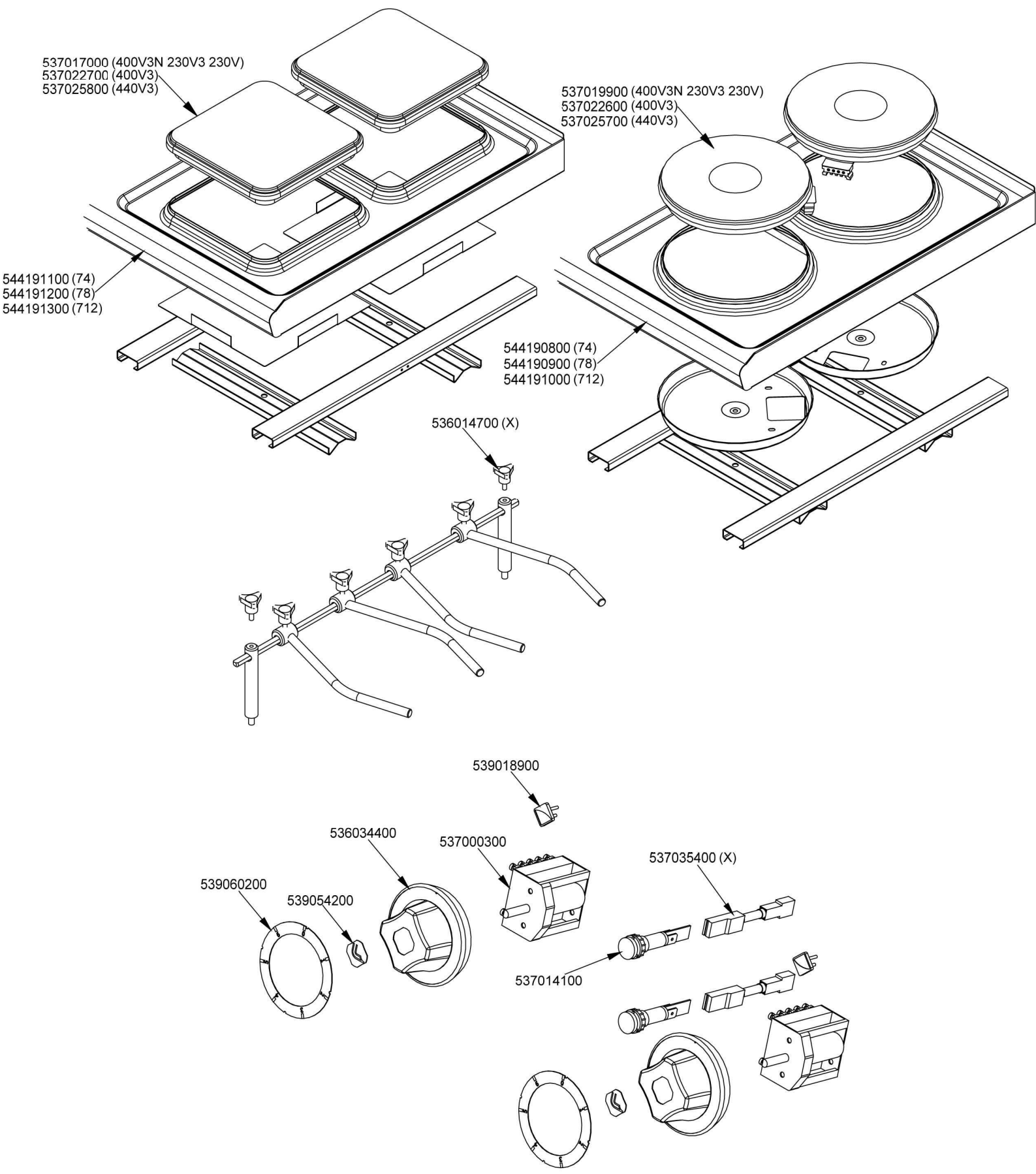
GN3/1

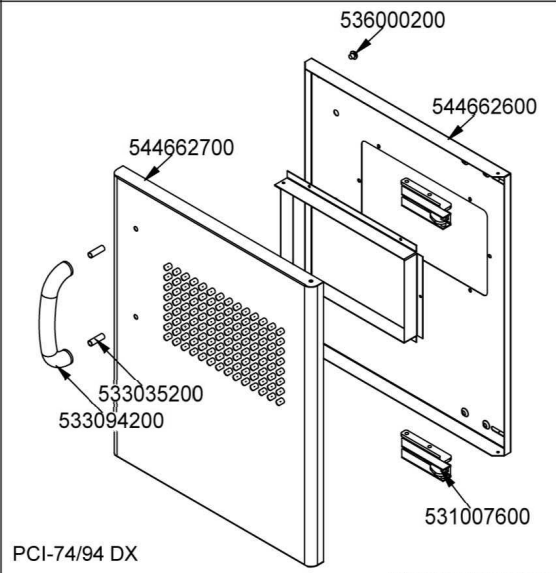
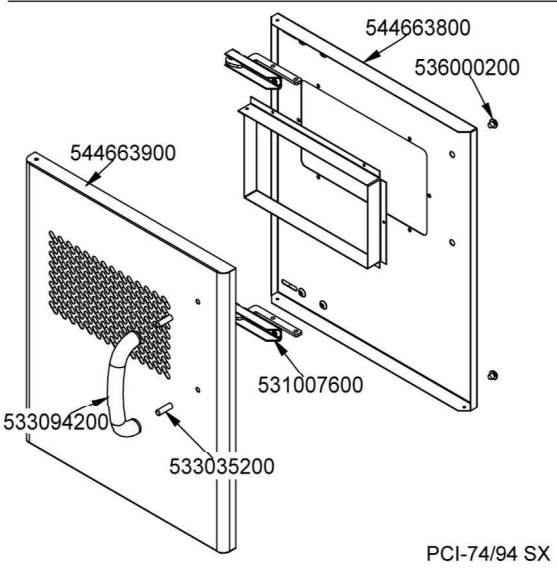
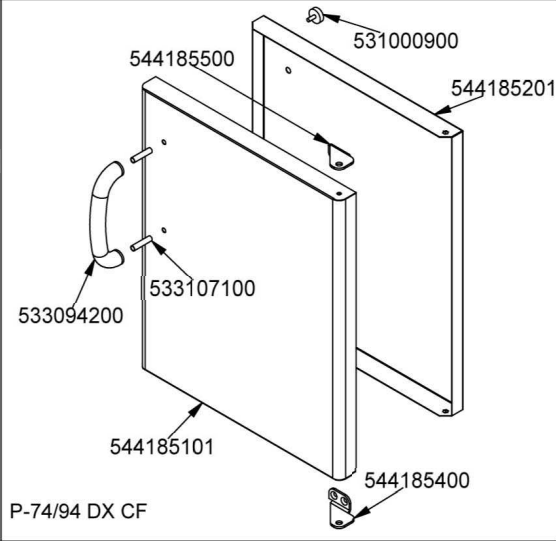
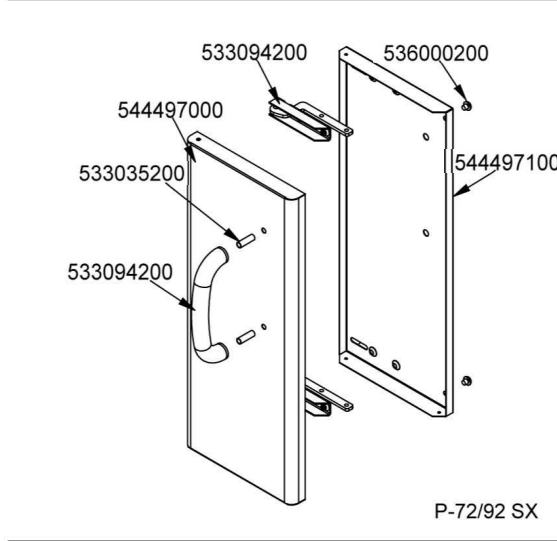
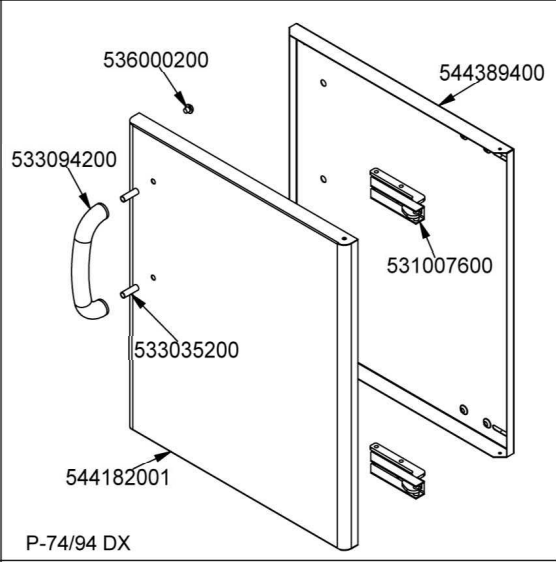
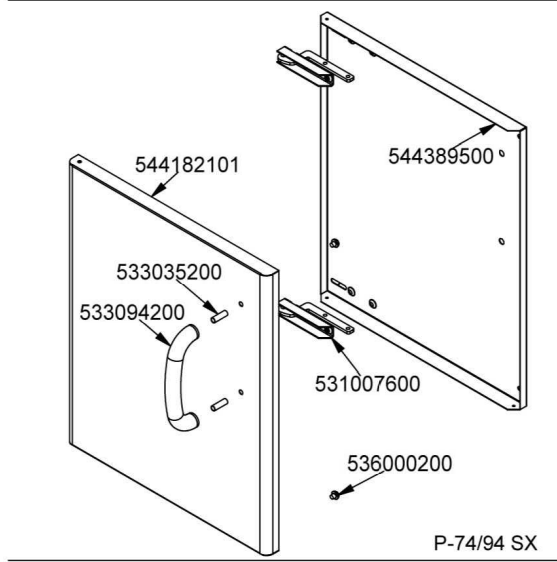
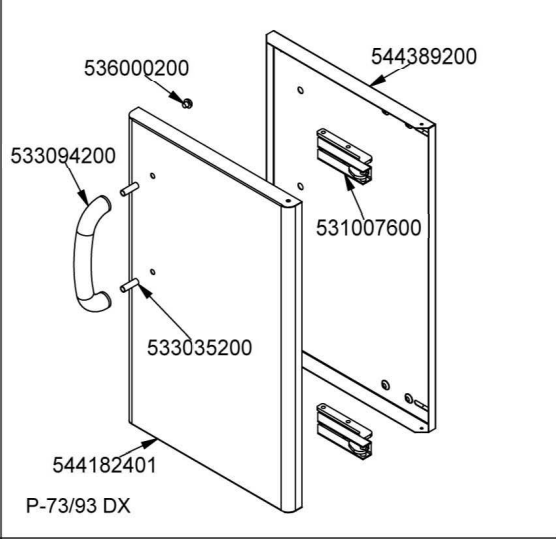
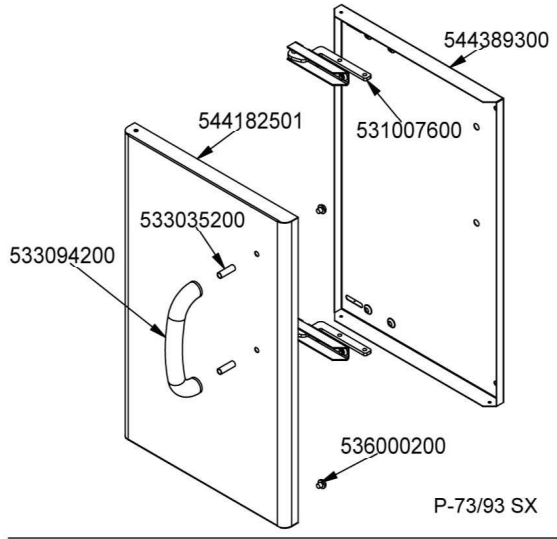


560099800M00P00









Page	Pos	Code	Description
001		532004100	FLUE GRID L=370 90LINE (RAF
001		541135000	LOW SPACER 712 1 LHD GRID
001		544173300	LEFT SIDE PANEL RANGE S.70
001		541104601	CONTROL PANEL CF6-712E CF6-712EV
001		537027400	TERMINAL BLOCK THREEPHASE 40A
001		533016300	PIN FOR COCK BUSHING
001		544173200	RIGHT SIDE PANEL RANGE S.70
001		536005200	INOX LEG 2" 120-180 M10
002		544187100	OVEN INNER DOOR GN 2/1 70/90LINE
002		531022800	LEFT OVEN DOOR HINGE S.70
002		531013100	OVEN DOOR HANDLE OF 70/90-LINE
002		544186900	OVEN DOOR GN 2/1 70/90LINES
002		531022700	RIGHT OVEN DOOR HINGE 70LINE
002		531022900	HINGE DOOR WHEEL HOLDER S.70
002		541102300	GAS OVEN INNER DOOR GN 3/1 S.70
002		544187000	OVEN DOOR GN 3/1 S.70
003		533037600	LOCK SPRING FOR BULB
003		536035600	OVEN GASKET GN 2/1
003		544443800	55 ELECRC OVEN BOTTOM GN1/1
003		531067400	PROTECTION GRID FOR FAN OVEN*S70
003		531067600	LHD GRIDS HOLDER FOR GN1/1-OVEN S70
003		531006701	MAXI OVEN GRID FOR S60/65
003		531067500	RHD GRIDS HOLDER FOR GN1/1-OVEN S70
003		544081000	55 ELECRC OVEN BOTTOM GN1/1
003		544443700	PROTEZIONE BULBO FORNO VENTILATO
004		539023800	LABEL FOR OVEN TIMER
004		537014100	WHITE WARNING LIGHT 250V
004		539023900	SIGN PLATE FOR OVEN TEMPERATURE
004		537012800	SAFETY THERMOSTAT 420°C THREEPHASE
004		537014200	GREEN WARNING LIGHT 250V
004		537036500	TERMINAL BLOCK 4POLES 40A SCREW-SCR
004		539054200	STAMP O20,5 CR."L" LOTUS R.
004		537043800	THERMOSTAT 48/300°C THREEPHASE
004		537001200	FIXING BRACKET FOR THERMOSTAT/COMM.
004		531024800	TIMER 120' - 360°
004		536034400	KNOB §77 4P. §06*4,6 C/M
004		537000200	COMMUTATOR 1 POS. 3PHASE S.49 16A
004		539063300	ADESIVE DISK FOR TYMER GREY
004		539062000	ADESIVE DISK THERMOSTAT OVEN S70
004		537041200	S70 MOTORFAN
004		531062900	OVEN FAN O180 S.70
004		537041100	HEATING ELEMENT 5200W 230V3 OVEN
005		537017000	PLATE 220X220 W2600 V230
005		537022700	ELECTRICAL PLATE 220X220 W2600 V400
005		537025800	PLATE 220X220 W2600 V440
005		537019900	PLATE D.220 W2600 V230
005		537022600	ELECTRICAL PLATE D.220 W2600 V400
005		537025700	ELECTRICAL PLATE D.220 W2600 V440
005		544191100	UPPER PLATE PC-74E SQUARE PLATE
005		544191200	UPPER PLATE PC-78E SQUARE PLATE
005		544191300	UPPER PLATE PC-712E SQUARE PLATE

Page	Pos	Code	Description
005		544190800	UPPER PLATE PC-74E ROUND PLATE
005		544190900	UPPER PLATE PC-78E ROUND PLATE
005		544191000	UPPER PLATE PC-712E ROUND PLATE
005		536014700	3 DRILL WHEELS
005		539060200	RED ADESIVE DISK FOR PC-E
005		539054200	STAMP Ø20,5 CR."L" LOTUS R.
005		536034400	KNOB §77 4P. §06*4,6 C/M
005		537000300	COMMUTATOR 7 POSITIONS S.49 16A
005		539018900	INDEX FOR KNOB W/RED SIGN
005		537035400	HEATING ELEMENT 00003W 330KOHM W/F
005		537014100	WHITE WARNING LIGHT 250V
006		544389300	CONTROP.73 SX APP. LT
006		531007600	DOOR HINGE
006		544182501	LEFT DOOR 73
006		533094200	S/S HANDLE FOR 70/90 SERIES
006		533035200	HANDLE SPACER
006		536000200	D.12 H.4 BUMPER
006		544389200	CONTROP.73 DX APP. LT
006		544182401	RIGHT DOOR 73
006		544182101	LEFT DOOR 74
006		544389500	INNER-DOOR OF LHD 74
006		544389400	CONTROP.74 DX APP. LT
006		544182001	RIGHT DOOR 74
006		544497000	PORTA 72 SX
006		544497100	CONTROP.72 SX APP. LT
006		544185101	RIGHT DOOR 74 CF
006		533107100	HANDLE SPACER OF CF-70
006		544185500	UPPER DOOR HINGE FOR COMPARTME CF70
006		531000900	MAGNET §22 KG.3 WITH DISK
006		544185201	INNER DOOR * 74DX
006		544185400	LOWER DOOR HINGE FOR COMPARTME CF70
006		544663900	LHD 74 DOOR FOR PCI
006		544663800	74 LHD OVEN INNER DOOR FOUR PCI
006		544662700	DOOR 74 DX PCI
006		544662600	CONTROP.74 DX APP. LT PCI