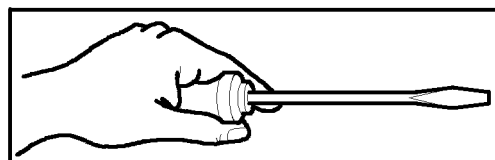
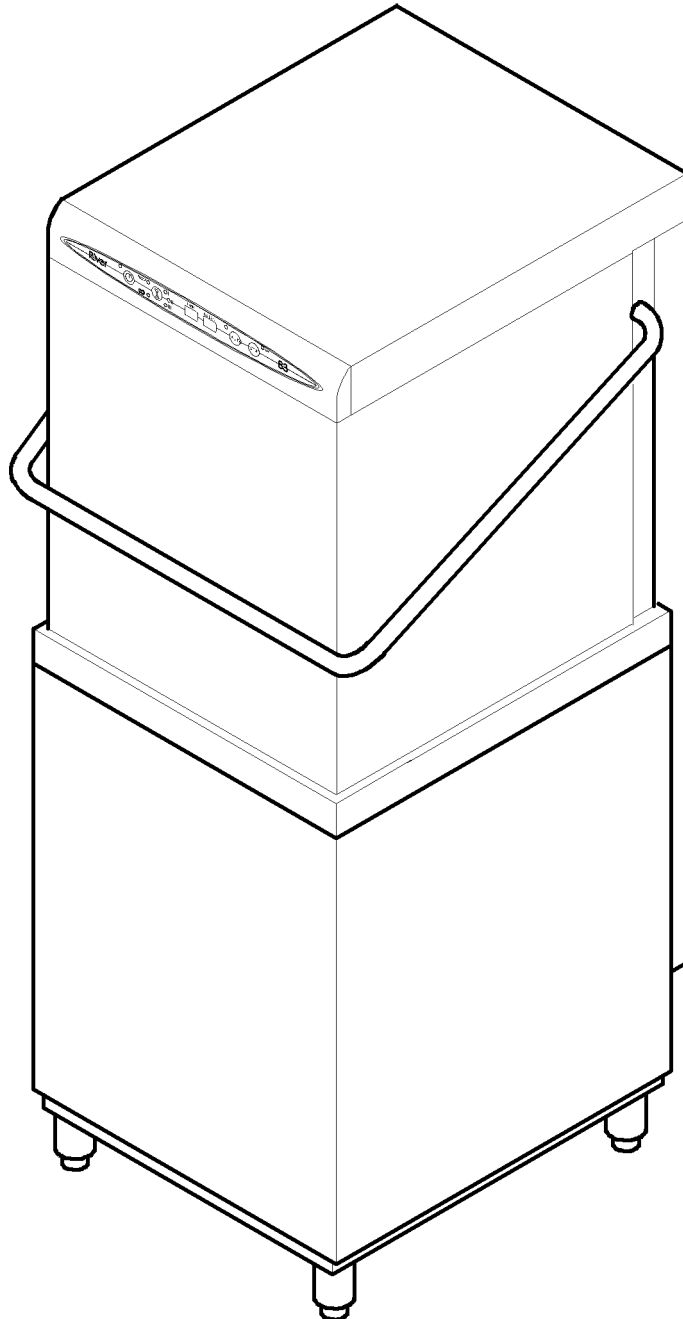


# River

## 81/82

**C** **R** **P**  
**O** **I** **E**  
**N** **S** **R**  
**S** **T** **F**  
**T** **A** **O**  
**R** **M**  
**A** **N**  
**C** **E**

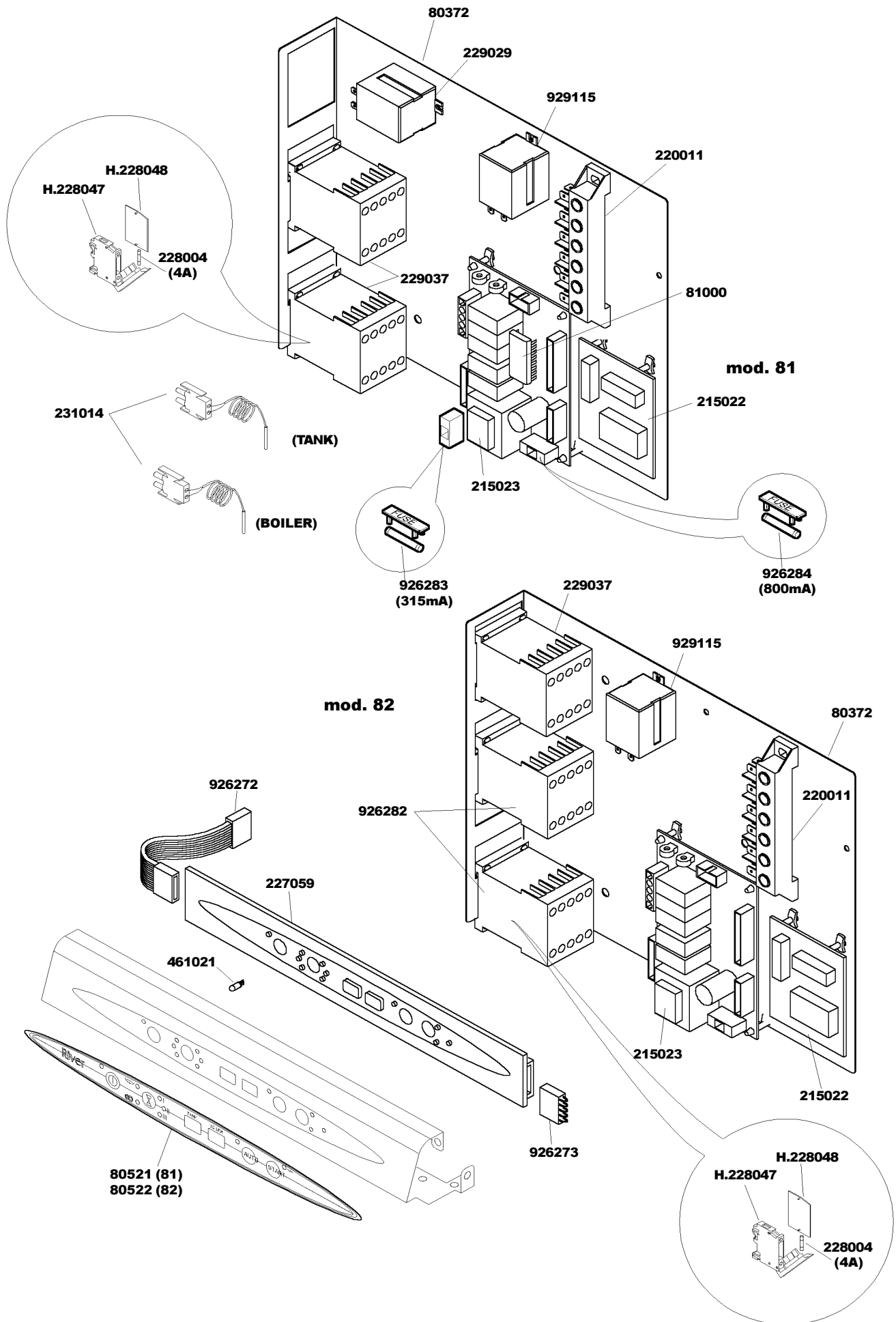


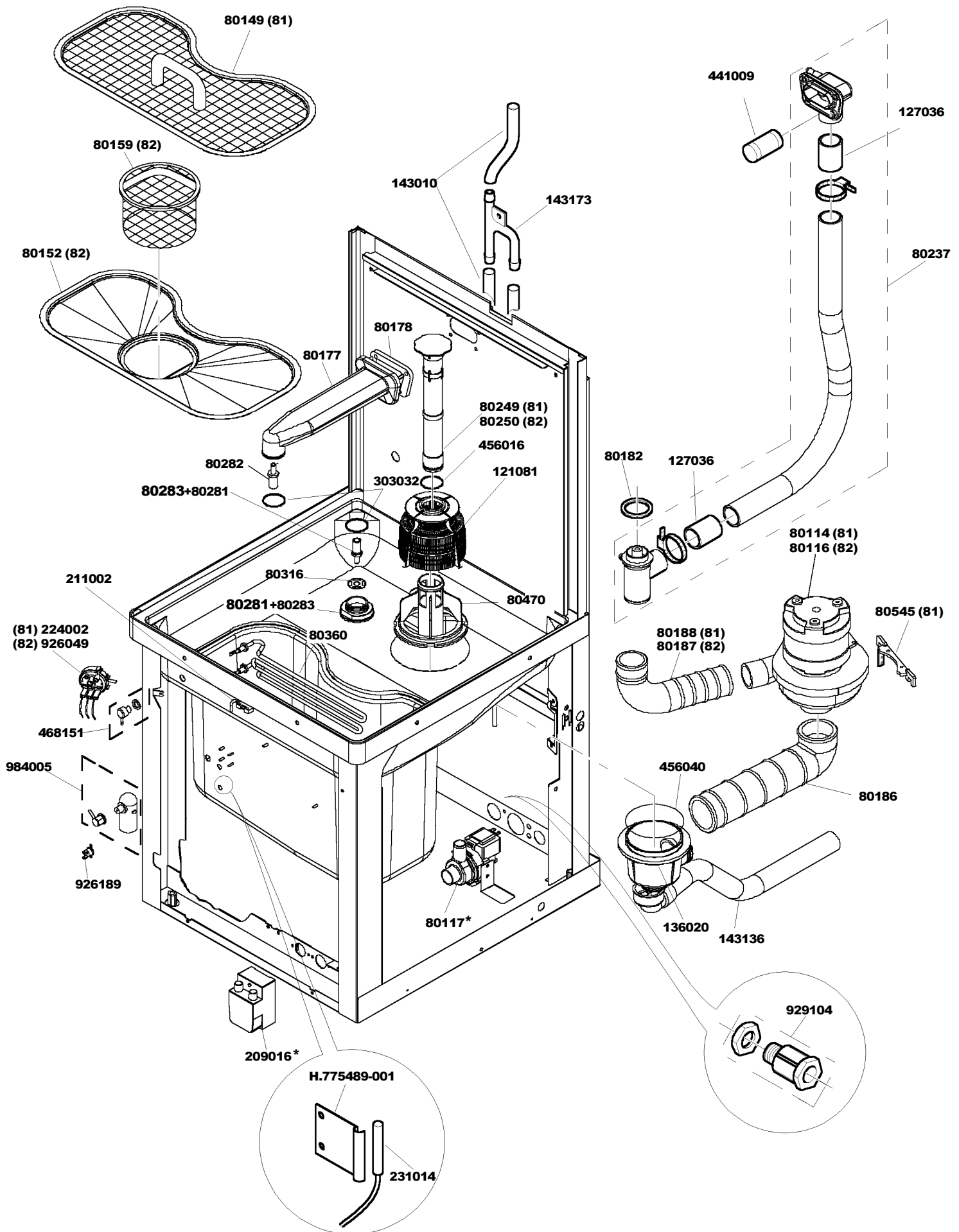
# RIVER 81/82

Tav. 1 – Machine Body  
Tav. 2 – Electrical components  
Tav. 3 – Components in the tank  
Tav. 3A – Components in the tank  
Tav. 4 – Wash arms – Rinsing  
Tav. 5 – Wash pump  
Tav. 6 – Wash pump  
Tav. 7 – Rinse pump

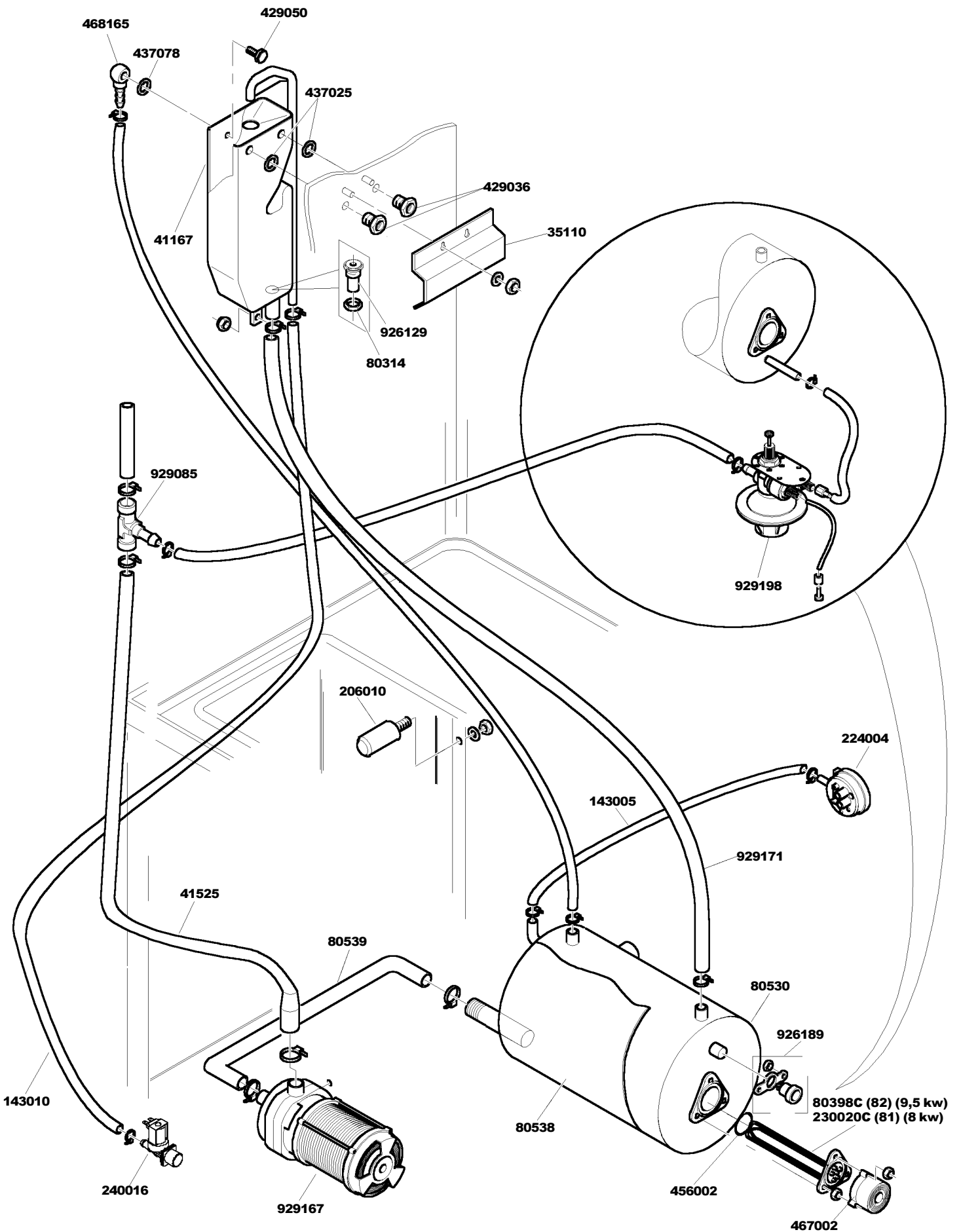
Tab. 1 – Carrosserie  
Tab. 2 – Installation électrique  
Tab. 3 – Composants de cuve  
Tab. 3A – Composants de cuve  
Tab. 4 – Rampes de lavage Rinçage  
Tab. 5 – Pompe lavage  
Tab. 6 – Pompe lavage  
Tab. 7 – Pompe Rinçage

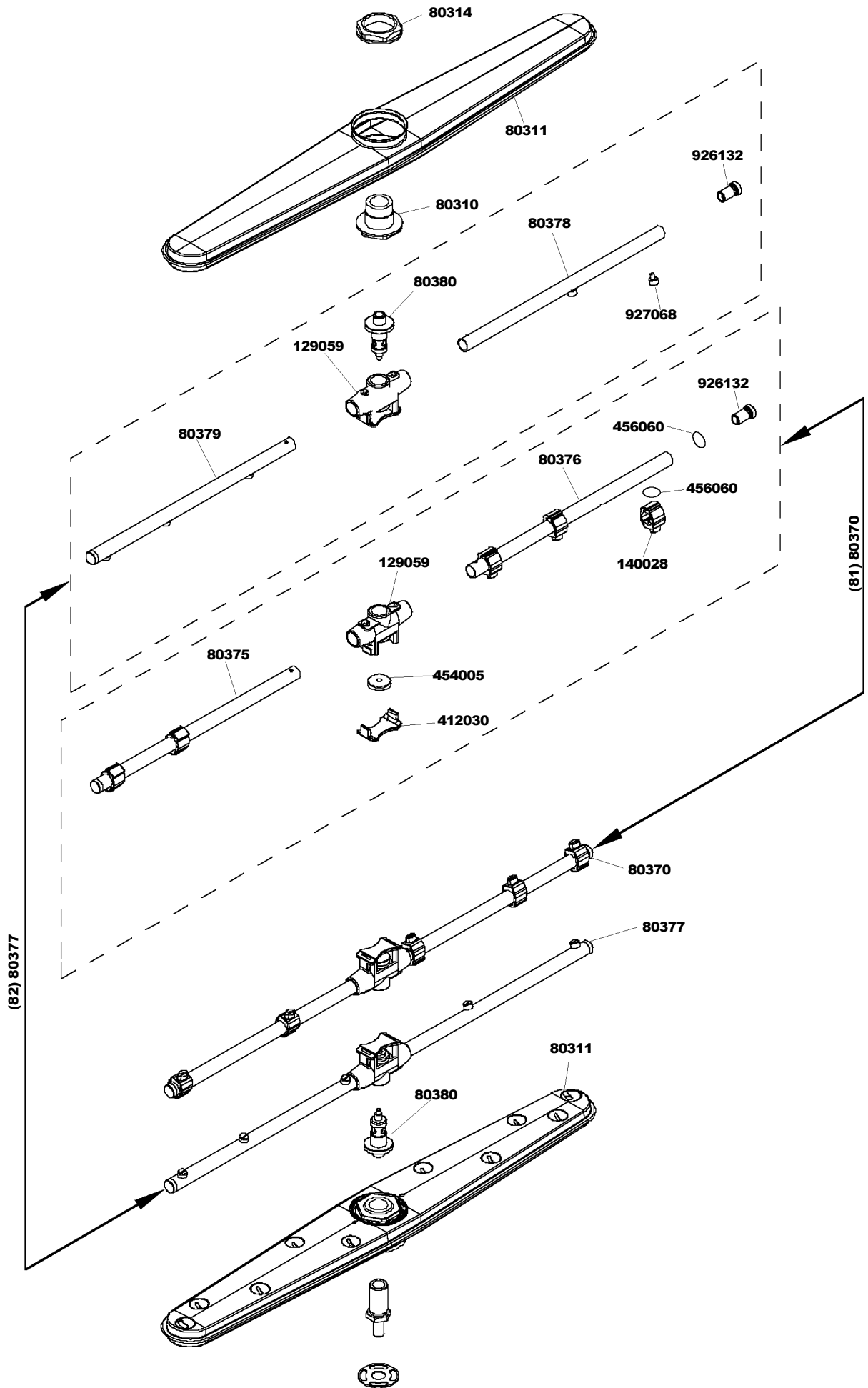


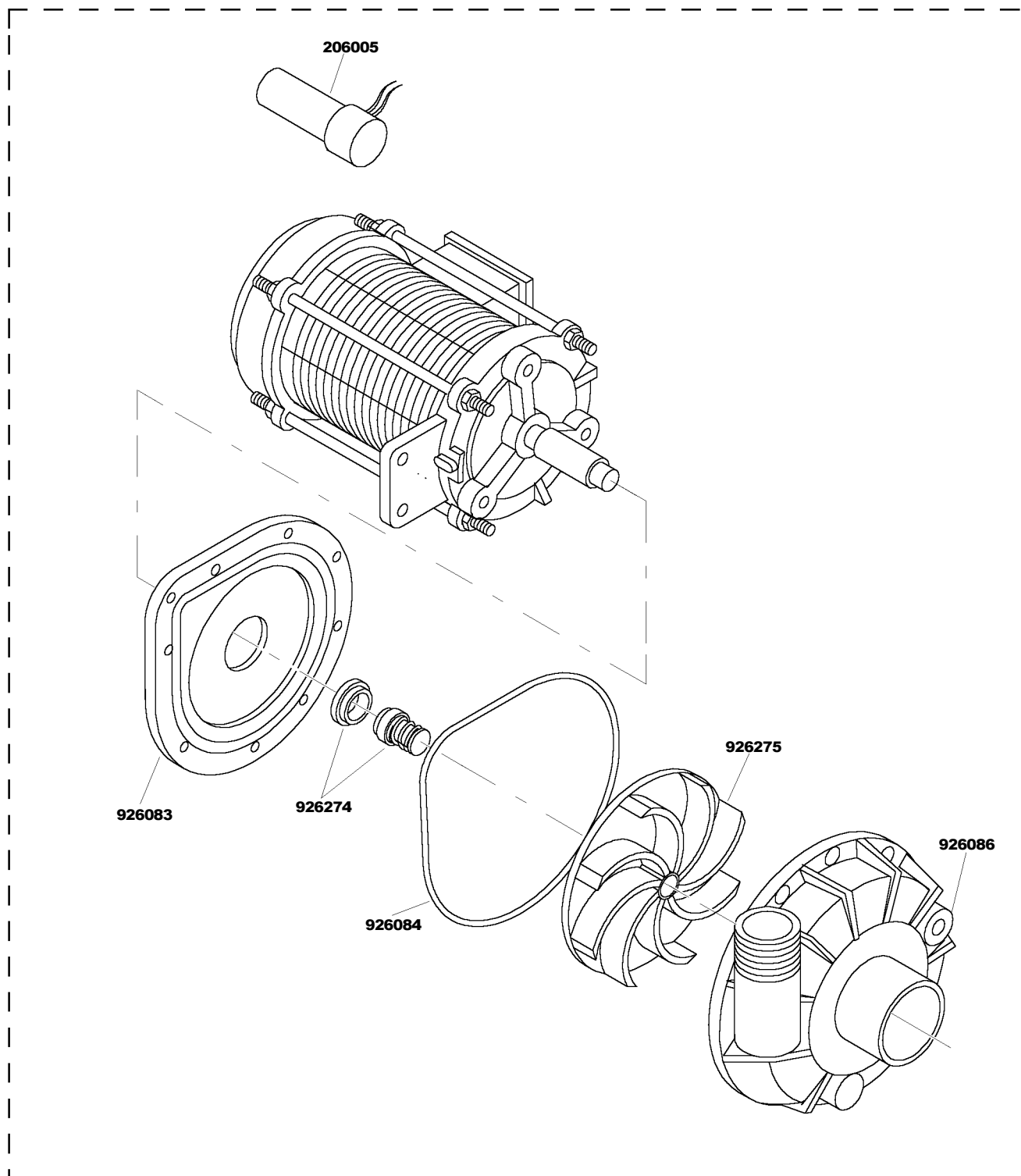




(\*) Optional

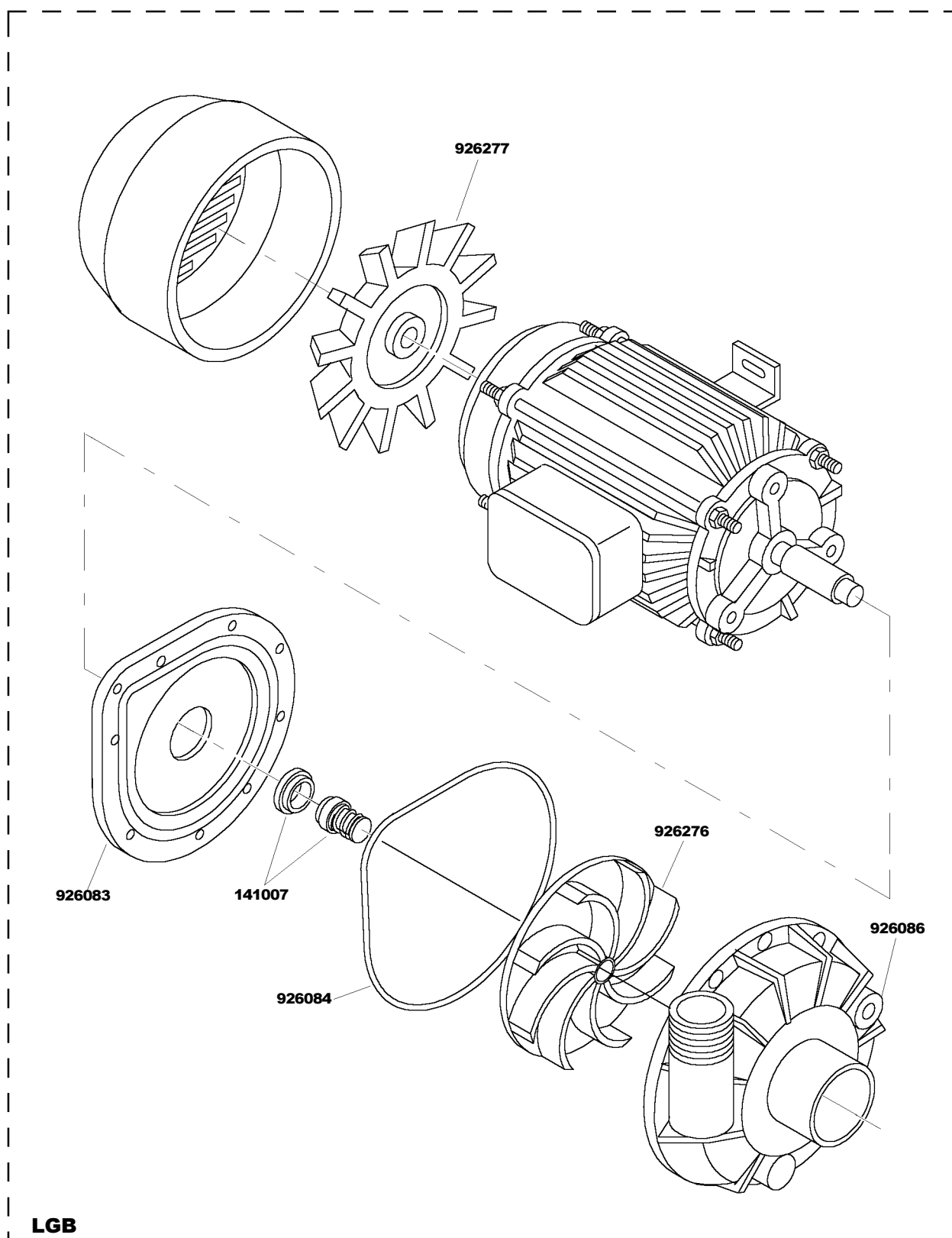






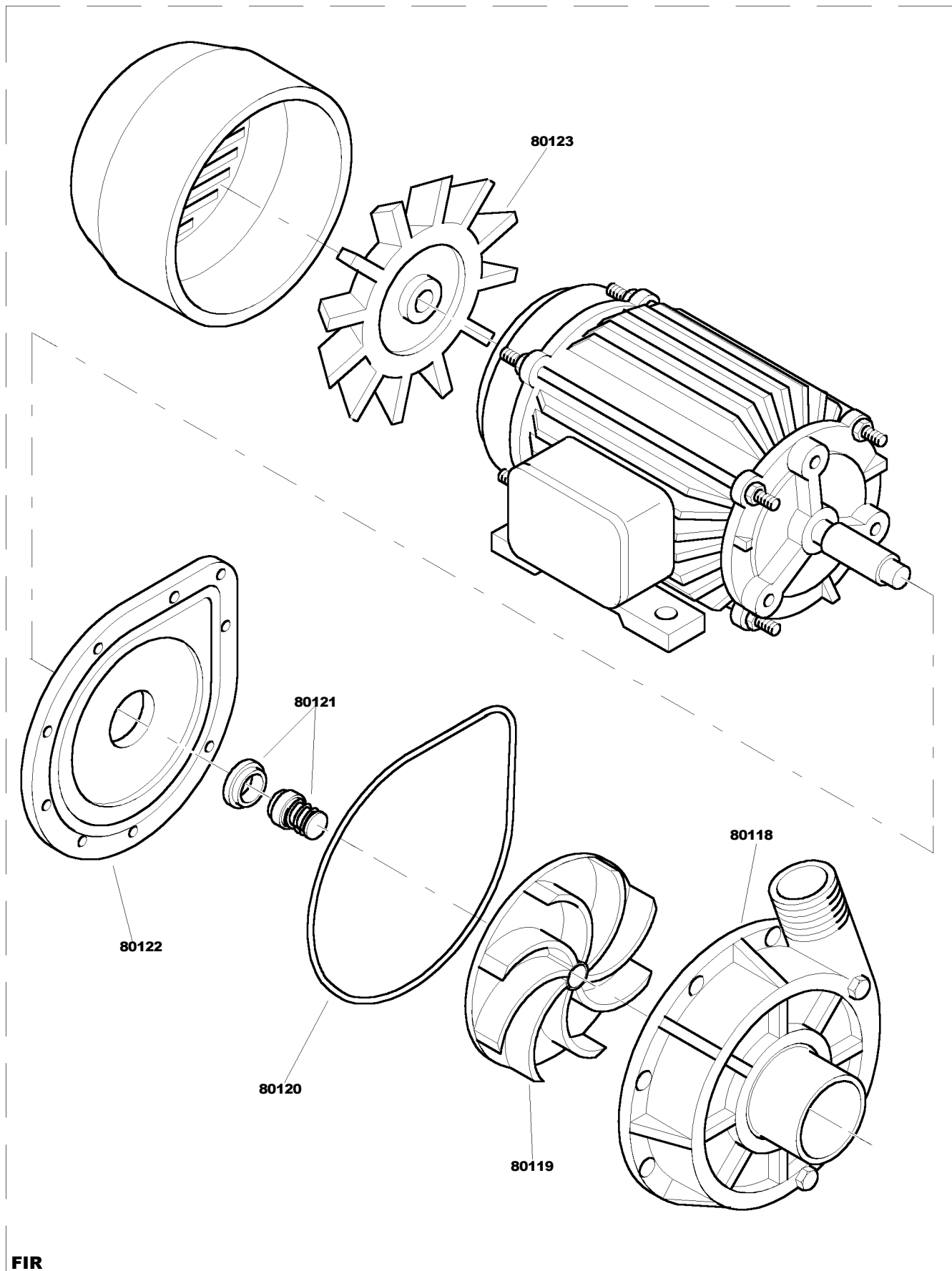
80114 (ZF522)  
81





LGB

80116 (AM5225)  
82



FIR

80115 (5295.4050)  
82

