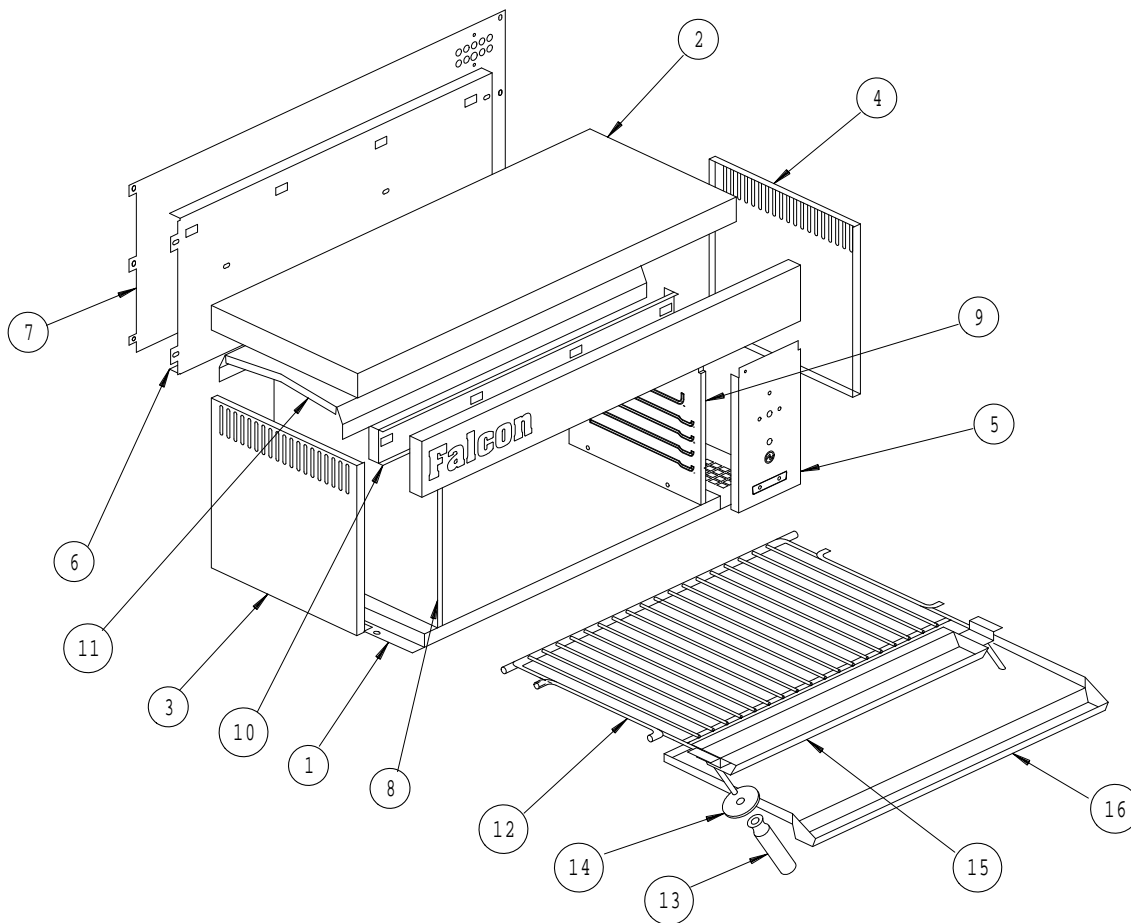
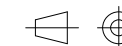


IF IN DOUBT ASK!!

DO NOT SCALE !!

First Angle Projection

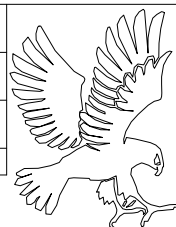


ITEM	DESCRIPTION	SPARES No
1	Base	535930060
2	Outer Top	731562240
3	Outer Side LH	731562250
4	Outer Side RH	731562260
5	Control Panel	731570000
6	Inner Back	535930080
7	Outer Back	731562370
8	Inner Side LH	731562280
9	Inner Side RH	731562290
10	Inner Top	535930040
11	Deflector Plate	531562130
12	Wire Grid	731560055
13	Handle for Wire Grid	531532190
14	Disc for Wire Grid	531532200
15	Drip Trough	531560221
16	Drip Tray	731562210

E2532 GRILL FITMENTS

All Dimensions in millimetres, Tolerance- Linear  $\pm 0.5\text{mm}$  Angular  $\pm 0.5^\circ$  (or as stated)

A	4960	ISSUED FOR PRODUCTION		S. MOONEY	7/8/03
Issue	Mod No.	Alteration	Zone	Drawn by	Date



Drawn	S. MOONEY	Product	E2532 GRILL	
Date	22/7/03	Title	SPARES DIAGRAM-FITMENTS	
Scale		Drawing Number	AD41573	Issue
Matl.				A
No. off		Finish		
Bin No.	RZZ370	Kraus No.		

No reproduction or publication of this drawing may be made and no article may be manufactured or assembled in accordance with this drawing without prior written consent. This prohibition is a condition of any contract relating to this drawing. Rights reserved under the Copyright Act 1956 as amended by the Design Copyright Act 1988.

This part is common to the following units

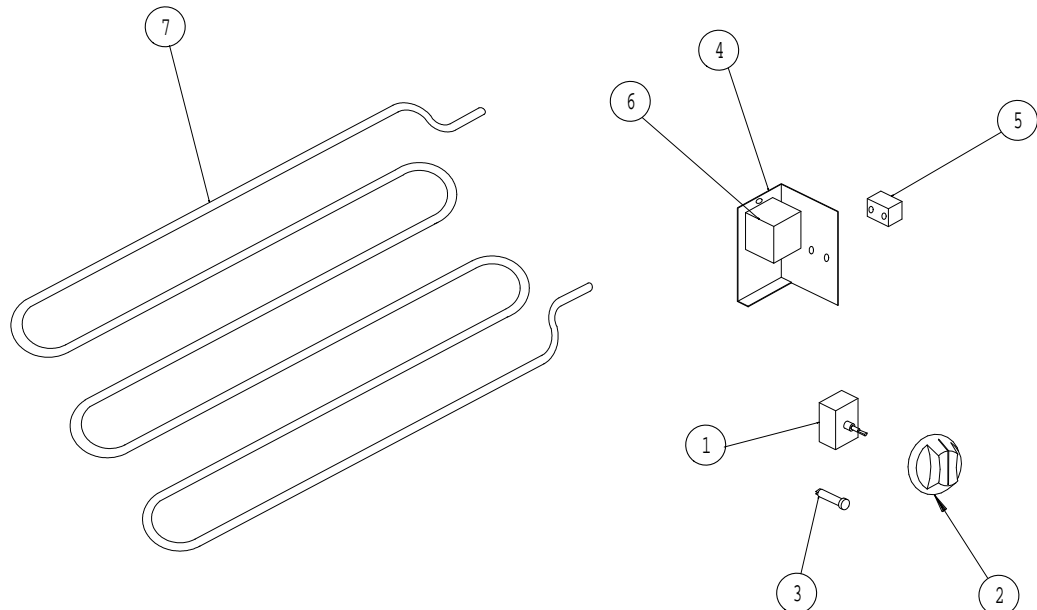
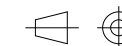
**UNCONTROLLED**

Falcon Foodservice Equipment. Wallace View Hillfoots Road Stirling Scotland

IF IN DOUBT ASK!!

DO NOT SCALE !!

First Angle Projection



ITEM	DESCRIPTION	SPARES No
1	Energy Regulator	737630011
2	Control Knob	731570001
3	Neon Indicator	735400180
4	Mains Terminal Bracket	731570005
5	Connector Block	731560350
6	Relay	731570004
7	Element	731560400

E2532 GRILL CONTROLS

All Dimensions in millimetres, Tolerance- Linear ±0.5mm Angular ±0.5° (or as stated)

A	4960	ISSUED FOR PRODUCTION		S.MOONEY	7/8/03
Issue	Mod No.	Alteration	Zone	Drawn by	Date



Drawn	S.MOONEY	Product	E2532 GRILL	
Date	22/7/03	Title	SPARES DIAGRAM-CONTROLS	
Scale		Matl.	Drawing Number	Issue
No. off		Finish	AD41574	A
Bin No.	RZZ370	Kraus No.		

No reproduction or publication of this drawing may be made and no article may be manufactured or assembled in accordance with this drawing without prior written consent. This prohibition is a condition of any contract relating to this drawing. Rights reserved under the Copyright Act 1956 as amended by the Design Copyright Act 1988.

This part is common to the following units

**UNCONTROLLED**